

Schlüter®-BARA-RKK/-RKKE

Edge profile
Attachment on sloped screed

5.24

Product data sheet

Application and Function

Schlüter-BARA-RKK/-RKKE are T-shaped finishing profiles with a short drip lip for the exposed edges of covering assemblies on balconies and terraces with finished sloped screeds.

Schlüter-BARA-RKK is designed for assemblies with the bonded uncoupling membrane Schlüter-DITRA. Its closed outer edge gives the exterior perimeter of tiled areas a neat appearance. **Schlüter-BARA-RKKE** is particularly suited for assemblies with the bonded drainage mat Schlüter-DITRA-DRAIN. Its perforated outer edge gives the exterior perimeter of tiled areas a neat appearance.

Furthermore, the profile covers the exposed edges of the bonded drainage mat Schlüter-DITRA-DRAIN, which is installed below the covering. The cross-section of the profile openings is sufficiently large to guarantee drainage and ventilation. Schlüter-BARA-RKK/-RKKE creates a neat finish and protects the exposed edges from weather influences and corrosion. The trapezoid perforated anchoring leg of the profile is attached to the exposed edges with a dry-set tile adhesive.

To create a bonded waterproofing assembly, attach Schlüter-KERDI with the sealing adhesive Schlüter-KERDI-COLL-L or the installation adhesive Schlüter-KERDI-FIX, fully covering the perforated anchoring leg and the bonding flange. If trowel-applied bonded waterproofing products are used, the installation instructions of the manufacturer must be observed.



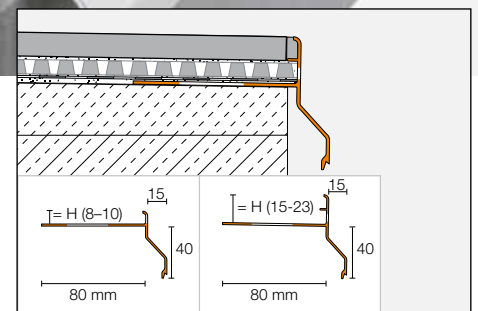
Thanks to the short design of the drip lip, Schlüter-BARA-RKK/-RKKE is particularly well suited for balconies and terraces with railings mounted on the front side.

Material

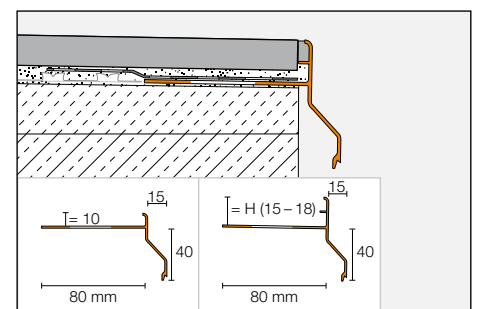
The profiles are available in the following material version:

AC = colour coated aluminium

C/A = MyDesign by Schlüter-Systems



Installation of Schlüter®-BARA-RKKE



Installation of Schlüter®-BARA-RKK



As part of the MyDesign by Schlüter-Systems* series, Schlüter-BARA-RKK and -RKKE can be ordered with a coating in 190 colours of the RAL Classic chart.

* The product advisors of our sales service and our Customer Service Department will be pleased to assist you with any questions you may have about MyDesign by Schlüter-Systems.



Installation of Schlüter®-BARA-RKK



Waterproofing of abutting joints with Schlüter®-BARA-HV

Material properties and areas of application:

The coating on the aluminium profile is colour-stable, as well as UV- and weather resistant. Visible surfaces should be protected against abrasion. In special cases, the suitability of Schlüter-BARA-RKK/-RKKE must be verified based on the anticipated chemical and mechanical stresses.

Installation of Schlüter®-BARA-RKK

1. Select Schlüter-BARA-RKK according to the assembly height.
2. As an angled finishing profile, Schlüter-BARA-RKK is embedded into the thin-set adhesive setting material with the trapezoid perforated anchoring leg aligned at the edge of the screed. Completely cover the anchoring leg with adhesive. Seal the abutting joints of the profiles with the self-adhesive anchoring fleece Schlüter-BARA-HV (see photo).
3. Install Schlüter-DITRA, abutting the anchoring leg. The connection with the profile is established with the jointing tape Schlüter-KERDI-KEBA. Adhere the sealing band with an overlap of at least 5 cm over Schlüter-DITRA, covering the entire anchoring leg and up to the angled edge of Schlüter-BARA-RKK, using the sealing adhesive Schlüter-KERDI-COLL-L or the installation adhesive Schlüter-KERDI-FIX. The system is now ready for the installation of tiles in the thin bed adhesive in accordance with the installation instructions of data sheet 6.1 Schlüter-DITRA. Maintain a proper joint between the tiles and the anchoring leg of Schlüter-BARA-RKK, to be filled with elastic grout.
4. If using a trowel-applied sealing compound, align the trapezoid perforated anchoring leg of Schlüter-BARA-RKK in the waterproofing assembly at the exposed edge. The waterproofing material must reach the angled edge of the profile. Observe the installation instructions of the manufacturer for the installation of bonded waterproofing systems.

Installation of Schlüter®-BARA-RKKE

1. Select Schlüter-BARA-RKKE according to the assembly height.
 2. As an angled finishing profile, Schlüter-BARA-RKKE is embedded into the thin bed adhesive setting material with the trapezoid perforated anchoring leg aligned at the edge of the screed. Completely cover the anchoring leg with adhesive. Seal the abutting joints of the profiles with the self-adhesive anchoring fleece Schlüter-BARA-HV (see photo).
 3. Adhere Schlüter-KERDI over the entire anchoring leg and up to the angled edge of Schlüter-BARA-RKKE, using the sealing adhesive Schlüter-KERDI-COLL-L or the installation adhesive Schlüter-KERDI-FIX.
 4. If using a trowel-applied sealing compound, align the trapezoid perforated anchoring leg of Schlüter-BARA-RKKE in the waterproofing assembly at the exposed edge. The waterproofing material must reach the angled edge of the profile. Observe the installation instructions of the manufacturer for the installation of bonded waterproofing systems.
 5. The bonded drainage membrane Schlüter-DITRA-DRAIN is adhered over the bonded waterproofing assembly. Make sure to continue the membrane to below the joint spacer integrated in the profile. The profile heights 21 and 23 mm are also suitable for use with Schlüter-DITRA-DRAIN 8. It must be ensured that the drainage space is not fully closed, including during the installation of the covering materials.
 6. The system is now ready for the installation of tiles in the thin bed adhesive in accordance with the installation instructions of data sheet 6.2 Schlüter-DITRA DRAIN. Maintain a proper joint between the tiles and the anchoring leg of Schlüter-BARA-RKKE, to be filled with elastic grouting.
- Note:** Pre-formed parts are available for internal and external corners. Abut the profile ends of Schlüter-BARA-RKK/-RKKE with a joint of approx. 5 mm and conceal the joint with snap-on connectors, using the the installation adhesive Schlüter-KERDI-FIX.



The applicable installation instructions and guidelines for the covering assemblies must be observed. All materials used in the assembly must be weather-resistant, waterproof, and suitable for outdoor areas.

Notes

Schlüter-BARA-RKK/-RKKE require no special maintenance or care. The powder-coated surface of the aluminium profile is UV resistant and colour-stable. Damaged visible surfaces can be restored with paint.

Product Overview:

Schlüter®-BARA-RKK

Colours: PG = pastel grey, GM = grey metallic,
SB = black brown, C/A = MyDesign by Schlüter-
Systems* Supplied length: 2,50 m

Colours	PG	GM	SB	C/A
H = 10 mm	•	•	•	•
H = 15 mm	•	•	•	•
H = 18 mm	•	•	•	•
External corner 90°	•	•	•	•
External corner 135°	•	•	•	•
Internal corner 90°	•	•	•	•
Connector	•	•	•	•

*RAL colour coating

Schlüter®-BARA-RKKE

Colours: PG = pastel grey, GM = grey metallic,
SB = black brown, C/A = MyDesign by Schlüter-
Systems* Supplied length: 2,50 m

Colours	PG	GM	SB	C/A
H = 8 mm	•	•	•	•
H = 10 mm	•	•	•	•
H = 15 mm	•	•	•	•
H = 18 mm	•	•	•	•
H = 21 mm	•	•	•	•
H = 23 mm	•	•	•	•
External corner 90°	•	•	•	•
External corner 135	•	•	•	•
Internal corner 90°	•	•	•	•
Connector	•	•	•	•

*RAL colour coating

H = 21 and 23 mm are also suitable for use with Schlüter®-DITRA-DRAIN 8

Text template for tenders:

_____ linear metres of Schlüter-BARA-RKK, as a T-shaped finishing profile made of coated aluminium with a short drip lip and a closed upright edge, to be supplied and professionally installed in edge area over a finished sloped screed with the trapezoid perforated anchoring leg, while observing the manufacturer's instructions. Accessories such as internal and external corners and connectors are to be

- included in the unit prices,
- charged separately

Profile height: _____ mm
 Colour: _____
 Art. no: _____
 Material: _____/m
 Labour: _____/m
 Total price: _____/m

Text template for tenders:

_____ linear metres of Schlüter-BARA-RKKE, as a T-shaped finishing profile made of coated aluminium with a short drip lip and a perforated upright edge, to be supplied and professionally installed in edge area over a finished sloped screed with the trapezoid perforated anchoring leg, while observing the manufacturer's instructions. Accessories such as interior and exterior corners and connectors are to be

- included in the unit prices,
- charged separately

Profile height: _____ mm
 Colour: _____
 Art. no: _____
 Material: _____/m
 Labour: _____/m
 Total price: _____/m

