

## Schlüter®-RENO-V

Floor covering profiles  
for variable transitions

# 1.7

Product data sheet

### Application and Function

**Schlüter®-RENO-V** is a profile with an adjustable arm for creating stepless transitions between floor coverings of different heights; e.g. the transition between tile and carpet. In addition, the profile effectively protects the edges of adjacent coverings.

The movable transition arm, via a ball-and-socket joint, allows the profile to adjust to the height of the adjacent covering. Thus the occurrence of trip edges between coverings of different heights is eliminated.

Schlüter®-RENO-V is also suitable for heavy-duty applications (e.g. entrances to garages or loading docks). In such cases, the adjustable arm is back-filled with mortar.

### Material

Schlüter®-RENO-V is available in the following materials:

A = aluminium

AE = anodised aluminium

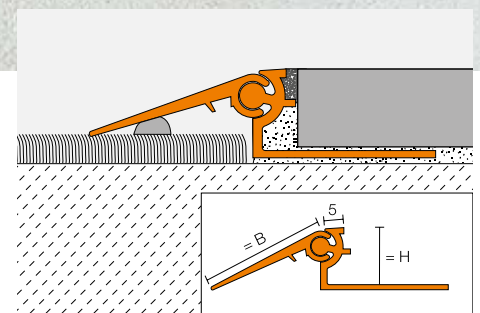
### Material properties and areas of application

In special cases, the suitability of a proposed type of material must be verified based on the anticipated chemical, mechanical, and/or other stresses.

The suitability of Schlüter®-RENO-AV, in aluminium, must be verified based on anticipated chemical stresses. Aluminium is sensitive to alkaline substances. Since cementitious materials, in conjunction with moisture, become alkaline, prolonged exposure to these materials may result in corrosion (aluminium hydroxide formation).



Therefore, adhesive or grout residue must be removed immediately from visible surfaces. Schlüter®-RENO-AEV, in anodised aluminium, features an anodised layer that retains its appearance during normal use. The surface, however, must be protected from abrasion. Adhesive and grout can scratch the surface of the profile; therefore, any residue must be removed immediately. Otherwise, the description regarding aluminium applies.





## Installation

1. Select Schlüter®-RENO-V according to tile thickness.
2. Using a notched trowel, apply dry-set adhesive to the area where profile is to be placed.
3. Press the perforated anchoring leg of Schlüter®-RENO-V into the adhesive and align.
4. Trowel additional dry-set adhesive over the perforated anchoring leg to ensure full coverage and support of the tile edges.
5. Solidly embed the tiles so that the tiled surface is flush with the top of the profile; the profile should not be higher than the tiled surface, but rather up to approx. 1 mm lower.
6. The tile is set to the lateral joint spacer, which ensures a uniform joint of 1.5 mm.
7. Fill the joint between the profile and the tile completely with grout. Place the adjustable arm onto the adjacent covering and, if applicable, adhere with silicone or similar. For areas exposed to heavy loads, back-fill the adjustable arm with mortar.

## Maintenance

Schlüter®-RENO-V requires no special maintenance. Damage (i.e. from abrasion) to the anodised layer can be repaired with a coat of lacquer.

## Product Overview

### Schlüter®-RENO-V

AV = aluminium / AEV = anodised aluminium

Length supplied: 2.50 m

| Material             | AV | AEV |
|----------------------|----|-----|
| H = 8 / B = 20 mm    | •  | •   |
| H = 10 / B = 20 mm   | •  | •   |
| H = 12.5 / B = 30 mm | •  | •   |
| H = 15 / B = 30 mm   | •  | •   |
| H = 17.5 / B = 40 mm | •  | •   |
| H = 20 / B = 40 mm   | •  | •   |

Length supplied: 1.00 m

| Material             | AV | AEV |
|----------------------|----|-----|
| H = 8 / B = 20 mm    | •  | •   |
| H = 10 / B = 20 mm   | •  | •   |
| H = 12.5 / B = 30 mm | •  | •   |
| H = 15 / B = 30 mm   | •  | •   |
| H = 17.5 / B = 40 mm | •  | •   |
| H = 20 / B = 40 mm   | •  | •   |

### Text template for tenders:

#### Supply

\_\_\_\_\_ linear metres of Schlüter®-RENO-V as transition profile in

- aluminium = AV
- anodised aluminium = AEV

with a trapezoid-perforated anchoring leg and an adjustable arm, as a stepless transition from tile to any adjacent covering, and install in a professional manner in accordance with the manufacturer's specifications.

- Installation of individual lengths of \_\_\_\_\_m
- Installation of individual length as required.

Profile height: \_\_\_\_\_mm

Art.-No.: \_\_\_\_\_

Material: \_\_\_\_\_/m

Labour: \_\_\_\_\_/m

Total: \_\_\_\_\_/m

Note: Optionally, various size combinations of support sections and adjustable transition arms are also possible.

