

Schlüter®-Systems

Supplementary Price List Spring 2024

Ireland · Effective 1st April 2024



2024



TRENDLINE colours

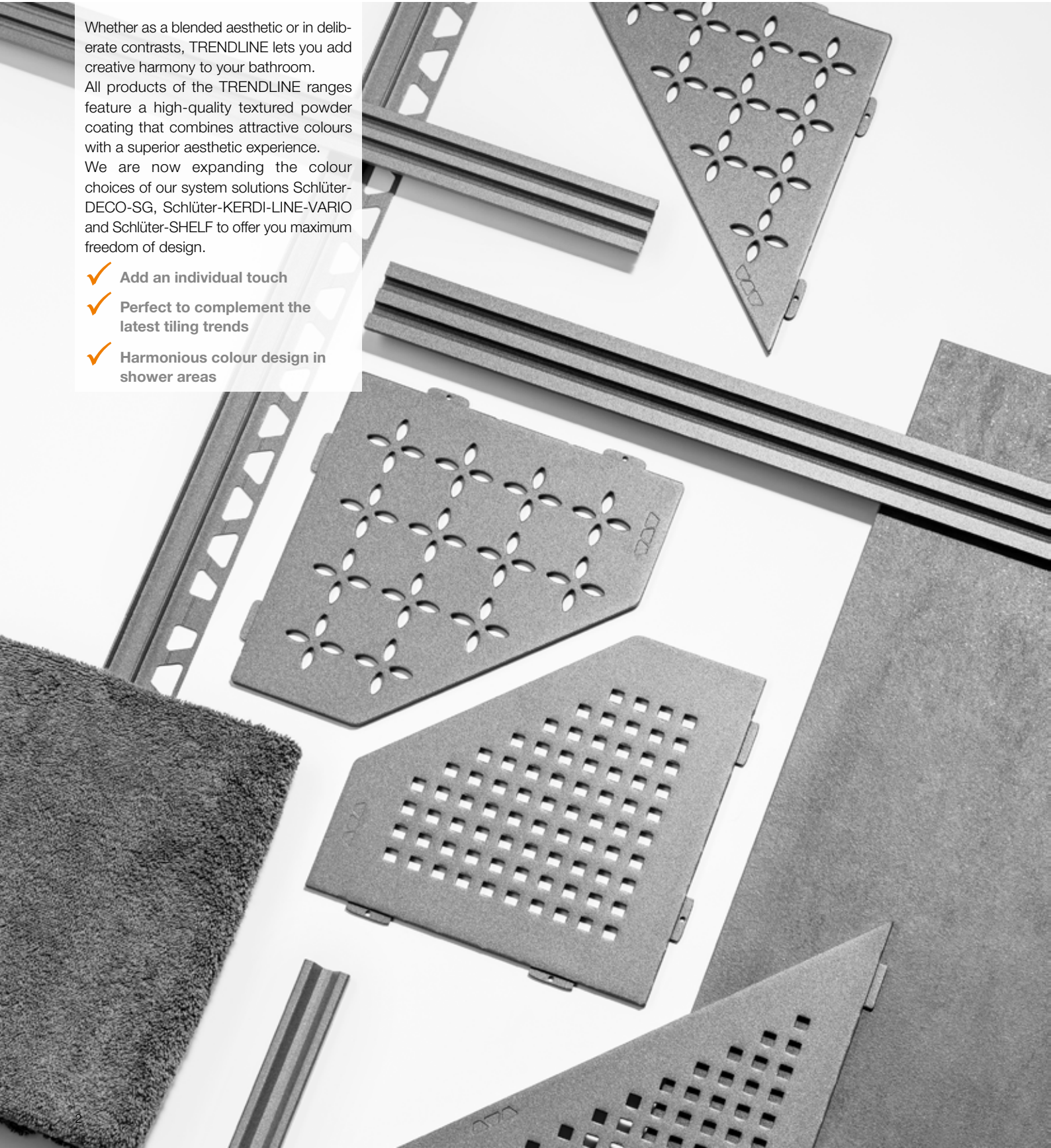
Add colour and texture to your bathroom

Whether as a blended aesthetic or in deliberate contrasts, TRENDLINE lets you add creative harmony to your bathroom.

All products of the TRENDLINE ranges feature a high-quality textured powder coating that combines attractive colours with a superior aesthetic experience.

We are now expanding the colour choices of our system solutions Schlüter-DECO-SG, Schlüter-KERDI-LINE-VARIO and Schlüter-SHELF to offer you maximum freedom of design.

- ✓ Add an individual touch
- ✓ Perfect to complement the latest tiling trends
- ✓ Harmonious colour design in shower areas

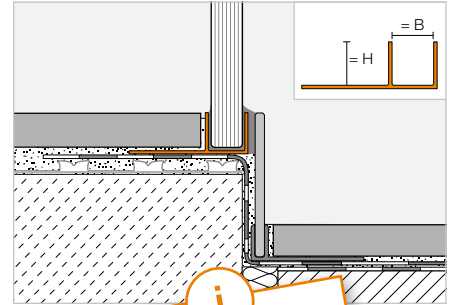


Carrier profile

Schlüter®-DECO-SG



Schlüter-DECO-SG is a decorative profile for joint design in tile coverings. It forms either a 12 mm or 15 mm wide shadow gap. The profile is ideal for holding and fixing glass shower screen elements in the floor and wall area. (Product data sheet 2.16)



i
Now available
in TRENDLINE colours!

Schlüter®-DECO-SG-AC ★

colour coated aluminium, B = 12 mm

H (mm)	L = 2.50 m Art. No.	€ / m	KV (Unit)
8	SG 80 ...* 12	21.53	120
10	SG 100 ...* 12	22.04	120
11	SG 110 ...* 12	22.55	120
12.5	SG 125 ...* 12	23.06	120

Schlüter®-DECO-SG-AC ★

colour coated aluminium, B = 15 mm

H (mm)	L = 2.50 m Art. No.	€ / m	KV (Unit)
8	SG 80 ...* 15	25.11	120
10	SG 100 ...* 15	25.63	120
11	SG 110 ...* 15	26.14	120
12.5	SG 125 ...* 15	26.65	120

Schlüter®-DECO-SG-TS ★

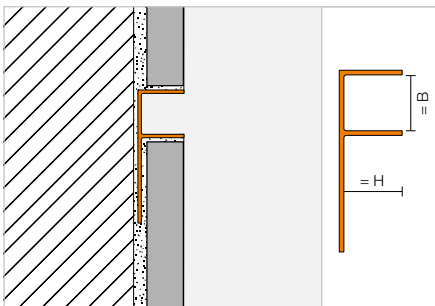
textured coated aluminium, B = 12 mm

H (mm)	L = 2.50 m Art. No.	€ / m	KV (Unit)
8	SG 80 ...** 12	25.84	120
10	SG 100 ...** 12	26.45	120
11	SG 110 ...** 12	27.06	120
12.5	SG 125 ...** 12	27.67	120

Schlüter®-DECO-SG-TS ★

textured coated aluminium, B = 15 mm

H (mm)	L = 2.50 m Art. No.	€ / m	KV (Unit)
8	SG 80 ...** 15	30.13	120
10	SG 100 ...** 15	30.76	120
11	SG 110 ...** 15	31.37	120
12.5	SG 125 ...** 15	31.98	120



To complete the art. no., add the colour (e.g. SG 80 TSOB 15)

* Colours: MBW - MGS

** Colours: TSBG - TSC - TSDA - TSG - TSI - TSOB - TSSG

Note:

The full Schlüter-DECO-SG product line can be found in the Illustrated Price List PS 24 on page 238.

Available finishes | colours



For an overview of finishes and colours, please see page 18.

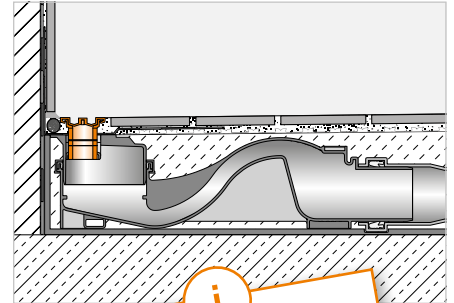


Drainage profile

Schlüter®-KERDI-LINE-VARIO WAVE



Schlüter-KERDI-LINE-VARIO WAVE is a W shaped drainage profile, which can be cut to size, for use with a Schlüter-KERDI-LINE-VARIO-H body. It is available in either brushed stainless steel V4A (material no. 1.4404 = AISI 316L) or TRENDLINE powder coated aluminium finishes. A 140 mm drain opening allows water to flow into the drain. The opening is concealed by a removable cover panel. The drainage profile is supplied with two matching end caps. The installation height can be adjusted to the thickness of the floor covering by use of tile adhesive.
(Product data sheet 8.10)

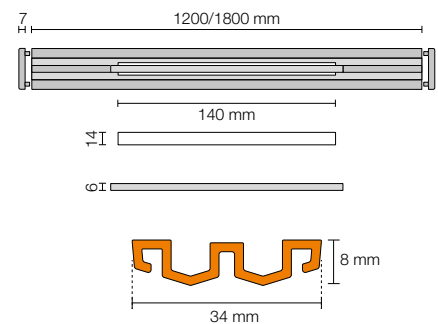


i
Now also available in TSG
(textured natural grey)!

Schlüter®-KERDI-LINE-VARIO WAVE 34

drainage profile, WAVE design (D 10), textured aluminium

L (cm)	H = 8 mm Art. No.	€ / Set	P (Set)
120	KL VR D10 MBW 120	206.57	10
120	KL VR D10 MGS 120	206.57	10
120	KL VR D10 TSBG 120	212.82	10
120	KL VR D10 TSC 120	212.82	10
120	KL VR D10 TSDA 120	212.82	10
★	KL VR D10 TSG 120	212.82	10
120	KL VR D10 TSI 120	212.82	10
120	KL VR D10 TSOB 120	212.82	10
120	KL VR D10 TSSG 120	212.82	10
180	KL VR D10 MBW 180	231.83	10
180	KL VR D10 MGS 180	231.83	10
180	KL VR D10 TSBG 180	237.23	10
180	KL VR D10 TSC 180	237.23	10
180	KL VR D10 TSDA 180	237.23	10
★	KL VR D10 TSG 180	237.23	10
180	KL VR D10 TSI 180	237.23	10
180	KL VR D10 TSOB 180	237.23	10
180	KL VR D10 TSSG 180	237.23	10



Note:

The drainage profiles of the Schlüter-KERDI-LINE-VARIO series can only be combined with the Schlüter-KERDI-LINE-VARIO-H drain bodies. Two end caps are included in the set.

Suitable for covering thicknesses of 6–15 mm (with DITRA or DITRA-HEAT) and 6–12 mm (with DITRA-HEAT-DUO).

In conjunction with the frame extension KL VR DSE 14, suitable for covering thicknesses up to 25 mm (with DITRA or DITRA-HEAT) and up to 22 mm (with DITRA-HEAT-DUO); see Illustrated Price List PS 24 on page 207.

Available finishes | colours

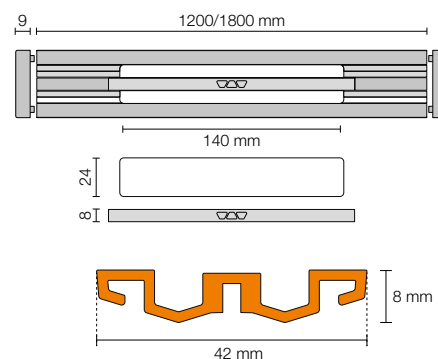


For an overview of finishes and colours, please see page 18.

Schlüter®-KERDI-LINE-VARIO WAVE 42

drainage profile, WAVE design (D 10), textured aluminium

L (cm)	H = 8 mm Art. No.	€ / Set	P (Set)	
120	KL VR1 D10 MBW 120	215.66	10	
120	KL VR1 D10 MGS 120	215.66	10	
120	KL VR1 D10 TSBG 120	221.05	10	
120	KL VR1 D10 TSC 120	221.05	10	
120	KL VR1 D10 TSDA 120	221.05	10	
★	120	KL VR1 D10 TSG 120	221.05	10
120	KL VR1 D10 TSI 120	221.05	10	
120	KL VR1 D10 TSOB 120	221.05	10	
120	KL VR1 D10 TSSG 120	221.05	10	
180	KL VR1 D10 MBW 180	242.62	10	
180	KL VR1 D10 MGS 180	242.62	10	
180	KL VR1 D10 TSBG 180	248.01	10	
180	KL VR1 D10 TSC 180	248.01	10	
180	KL VR1 D10 TSDA 180	248.01	10	
★	180	KL VR1 D10 TSG 180	248.01	10
180	KL VR1 D10 TSI 180	248.01	10	
180	KL VR1 D10 TSOB 180	248.01	10	
180	KL VR1 D10 TSSG 180	248.01	10	

**Note:**

The drainage profiles of the Schlüter-KERDI-LINE-VARIO series can only be combined with the Schlüter-KERDI-LINE-VARIO-H drain bodies.

Two end caps are included in the set.

Suitable for covering thicknesses of 6–15 mm (with DITRA or DITRA-HEAT)

and 6–12 mm (with DITRA-HEAT-DUO).

In conjunction with the frame extension KL VR DSE 23, suitable for covering thicknesses up to 25 mm (with DITRA or DITRA-HEAT) and up to 22 mm (with DITRA-HEAT-DUO).

The KERDI-LINE-VARIO WAVE 42 profiles can be fitted with an optional hair trap KL VR S 23.

For more details on the frame extension and the hair trap,

see the Illustrated Price List PS 24 on page 207.

Note:

The full Schlüter-KERDI-LINE-VARIO-WAVE product line can be found in the Illustrated Price List PS 24 on pages 204–205.

Available finishes | colours



For an overview of finishes and colours, please see page 18.

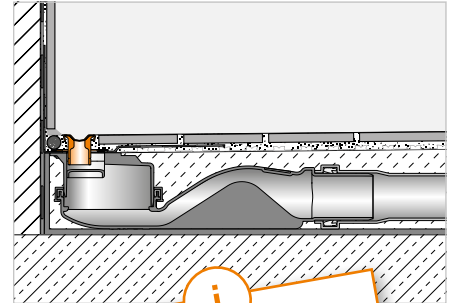


Drainage profile

Schlüter®-KERDI-LINE-VARIO COVE



Schlüter-KERDI-LINE-VARIO COVE is a cove-shaped drainage profile, which can be cut to size, for use with a Schlüter-KERDI-LINE-VARIO-H body. It is available in either brushed stainless steel V4A (material no. 1.4404 = AISI 316L) or TRENDLINE powder coated aluminium finishes. A drain opening 8 mm wide and 140 mm long allows water to flow into the drain. The drainage profile is supplied with two matching end caps. The installation height can be adjusted to the thickness of the floor covering by using tile adhesive. This profile supports the use of wheelchairs in showers. (Product data sheet 8.10)

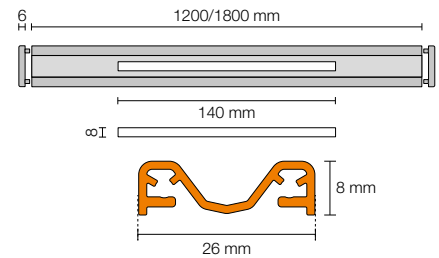


i
Now also available in TSG (textured natural grey)!

Schlüter®-KERDI-LINE-VARIO COVE 26

drainage profile, COVE design (D 9), textured aluminium

L (cm)	H = 8 mm Art. No.	€ / Set	P (Set)
120	KL VR D9 MBW 120	181.53	10
120	KL VR D9 MGS 120	181.53	10
120	KL VR D9 TSBG 120	187.79	10
120	KL VR D9 TSC 120	187.79	10
120	KL VR D9 TSDA 120	187.79	10
★	KL VR D9 TSG 120	187.79	10
120	KL VR D9 TSI 120	187.79	10
120	KL VR D9 TSOB 120	187.79	10
120	KL VR D9 TSSG 120	187.79	10
180	KL VR D9 MBW 180	204.88	10
180	KL VR D9 MGS 180	204.88	10
180	KL VR D9 TSBG 180	210.27	10
180	KL VR D9 TSC 180	210.27	10
180	KL VR D9 TSDA 180	210.27	10
★	KL VR D9 TSG 180	210.27	10
180	KL VR D9 TSI 180	210.27	10
180	KL VR D9 TSOB 180	210.27	10
180	KL VR D9 TSSG 180	210.27	10



Note:

The drainage profiles of the Schlüter-KERDI-LINE-VARIO series can only be combined with the Schlüter-KERDI-LINE-VARIO-H drain bodies.

Two end caps are included in the set.

Suitable for covering thicknesses of 6–15 mm (with DITRA or DITRA-HEAT) and 6–12 mm (with DITRA-HEAT-DUO).

In conjunction with the frame extension KL VR DSE 14, suitable for covering thicknesses up to 25 mm (with DITRA or DITRA-HEAT) and up to 22 mm (with DITRA-HEAT-DUO); see Illustrated Price List PS 24 on page 207.

Note:

The full Schlüter-KERDI-LINE-VARIO-COVE product line can be found in the Illustrated Price List PS 24 on page 206.

Available finishes | colours



For an overview of finishes and colours, please see page 18.

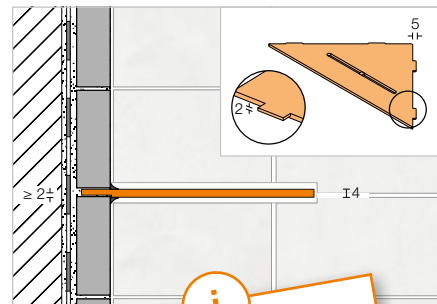
Shelf

Schlüter®-SHELF-E-S1

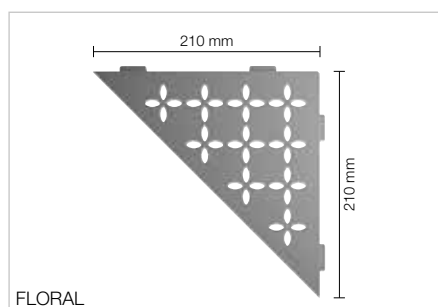


Schlüter-SHELF-E-S1 are triangular shelves for installation in corners. They are available in the design variants FLORAL, CURVE, PURE, SQUARE and WAVE in the finishes brushed stainless steel or TRENDLINE powder coated aluminium. The shelves can be integrated into the tile assembly during tile installation or retrofitted into the joints of tiled walls, using the 2 mm attachment tabs. SHELF-E-S1 are suitable as shelves in shower areas, but can also be integrated into other areas such as tiled kitchen walls.

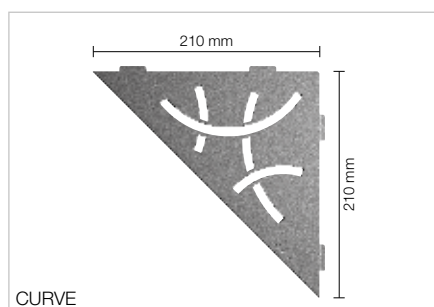
(Product data sheet 17.1)



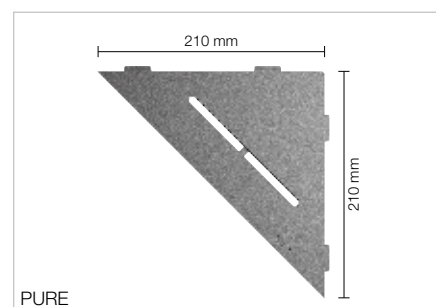
i
Now also available in TSG
(textured natural grey)!



FLORAL



CURVE



PURE

Schlüter®-SHELF-E-S1-TS

shelf, FLORAL design,
textured aluminium

Art. No.	€ / U.	P (Unit)
SE S1 D5 ...*	88.73	10

Schlüter®-SHELF-E-S1-TS

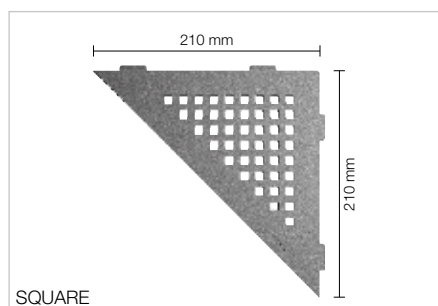
shelf, CURVE design,
textured aluminium

Art. No.	€ / U.	P (Unit)
SE S1 D6 ...*	82.38	10

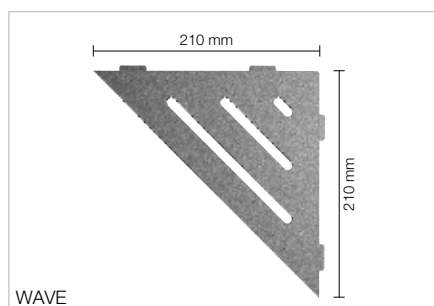
Schlüter®-SHELF-E-S1-TS

shelf, PURE design,
textured aluminium

Art. No.	€ / U.	P (Unit)
SE S1 D7 ...*	89.51	10



SQUARE



WAVE

Schlüter®-SHELF-E-S1-TS

shelf, SQUARE design,
textured aluminium

Art. No.	€ / U.	P (Unit)
SE S1 D3 ...*	89.51	10

Schlüter®-SHELF-E-S1-TS

shelf, WAVE design,
textured aluminium

Art. No.	€ / U.	P (Unit)
SE S1 D10 ...*	89.51	10

Note:

Additional colours and finishes for Schlüter-SHELF-E-S1 can be found in the Illustrated Price List PS 24 on pages 262–263.

To complete the art. no., add the finish/colour
(e.g. SE S1 D10 TSC)

* Finishes/colours:

TSBG - TSC - TSDA - TSG - TSI - TSOB - TSSG

Available finishes | colours



For an overview of finishes and colours, please see page 18.



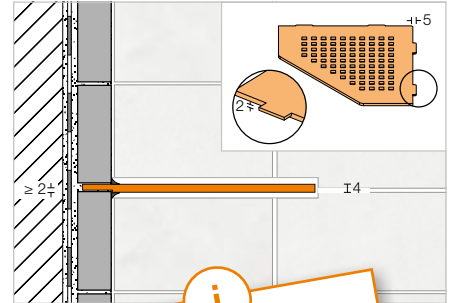
Shelf

Schlüter®-SHELF-E-S2

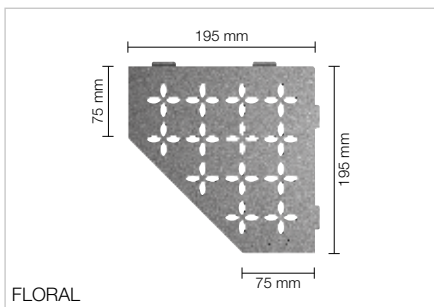


Schlüter-SHELF-E-S2 are pentagonal shelves for installation in corners. They are available in the design variants FLORAL, CURVE, PURE, SQUARE and WAVE in the finishes brushed stainless steel or TRENDLINE powder coated aluminium. The shelves can be integrated into the tile assembly during tile installation or retrofitted into the joints of tiled walls, using the 2 mm attachment tabs. SHELF-E-S2 are suitable as shelves in shower areas, but can also be integrated into other areas such as tiled kitchen walls.

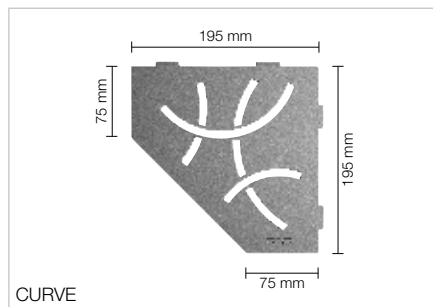
(Product data sheet 17.1)



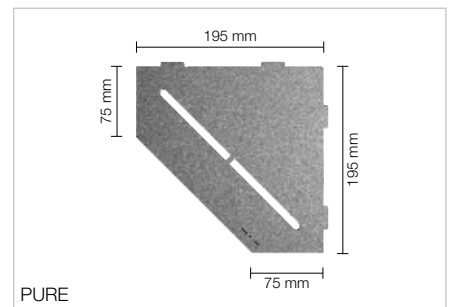
i
Now also available in TSG
(textured natural grey)!



FLORAL



CURVE



PURE

Schlüter®-SHELF-E-S2-TS

shelf, FLORAL design,
textured aluminium

Art. No.	€ / U.	P (Unit)
SE S2 D5 ...*	91.90	10

Schlüter®-SHELF-E-S2-TS

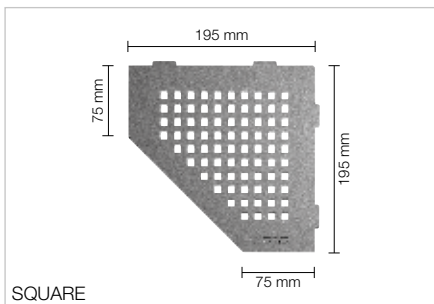
shelf, CURVE design,
textured aluminium

Art. No.	€ / U.	P (Unit)
SE S2 D6 ...*	86.84	10

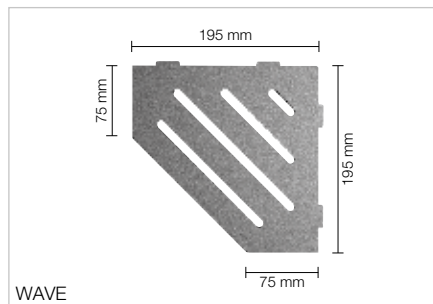
Schlüter®-SHELF-E-S2-TS

shelf, PURE design,
textured aluminium

Art. No.	€ / U.	P (Unit)
SE S2 D7 ...*	92.01	10



SQUARE



WAVE

Schlüter®-SHELF-E-S2-TS

shelf, SQUARE design,
textured aluminium

Art. No.	€ / U.	P (Unit)
SE S2 D3 ...*	92.01	10

Schlüter®-SHELF-E-S2-TS

shelf, WAVE design,
textured aluminium

Art. No.	€ / U.	P (Unit)
SE S2 D10 ...*	92.01	10

Note:

Additional colours and finishes for Schlüter-SHELF-E-S2 can be found in the Illustrated Price List PS 24 on pages 264–265.

To complete the art. no., add the finish/colour
(e.g. SE S2 D10 TSC)

* Finishes/colours:

TSBG - TSC - TSDA - TSG - TSI - TSOB - TSSG

Available finishes | colours



For an overview of finishes and colours, please see page 18.

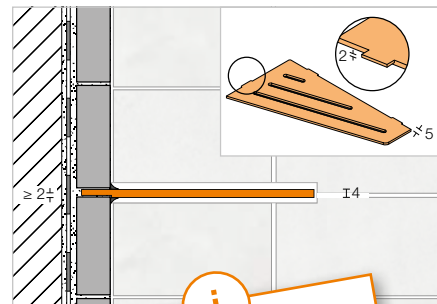
Shelf

Schlüter®-SHELF-E-S3

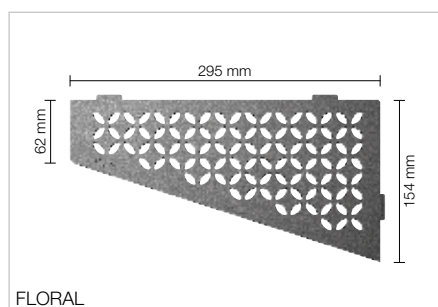


Schlüter-SHELF-E-S3 are quadrangular shelves with asymmetrical side lengths for installation in corners. They are available in the design variants FLORAL, CURVE, PURE, SQUARE and WAVE in the finishes brushed stainless steel or TRENDLINE powder coated aluminium. The shelves can be integrated into the tile assembly during tile installation or retrofitted into the joints of tiled walls, using the 2 mm attachment tabs. SHELF-E-S3 are suitable as shelves in shower areas, but can also be integrated into other areas such as tiled kitchen walls.

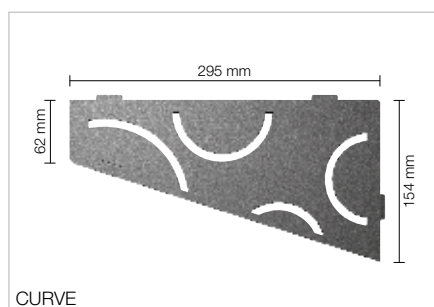
(Product data sheet 17.1)



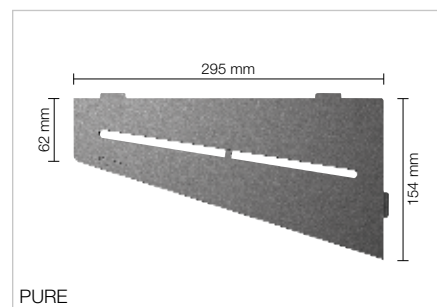
i
Now also available in TSG
(textured natural grey)!



FLORAL



CURVE



PURE

Schlüter®-SHELF-E-S3-TS

shelf, FLORAL design,
textured aluminium

Art. No.	€ / U.	P (Unit)
SE S3 D5 ...*	95.07	10

Schlüter®-SHELF-E-S3-TS

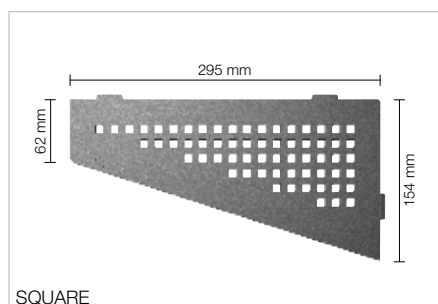
shelf, CURVE design,
textured aluminium

Art. No.	€ / U.	P (Unit)
SE S3 D6 ...*	88.73	10

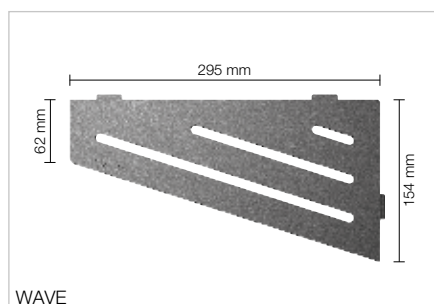
Schlüter®-SHELF-E-S3-TS

shelf, PURE design,
textured aluminium

Art. No.	€ / U.	P (Unit)
SE S3 D7 ...*	93.90	10



SQUARE



WAVE

Schlüter®-SHELF-E-S3-TS

shelf, SQUARE design,
textured aluminium

Art. No.	€ / U.	P (Unit)
SE S3 D3 ...*	93.90	10

Schlüter®-SHELF-E-S3-TS

shelf, WAVE design,
textured aluminium

Art. No.	€ / U.	P (Unit)
SE S3 D10 ...*	93.90	10

Note:

Additional colours and finishes for Schlüter-SHELF-E-S3 can be found in the Illustrated Price List PS 24 on pages 266–267.

To complete the art. no., add the finish/colour
(e.g. SE S3 D10 TSC)

* Finishes/colours:

TSBG - TSC - TSDA - TSG - TSI - TSOB - TSSG

Available finishes | colours



For an overview of finishes and colours, please see page 18.



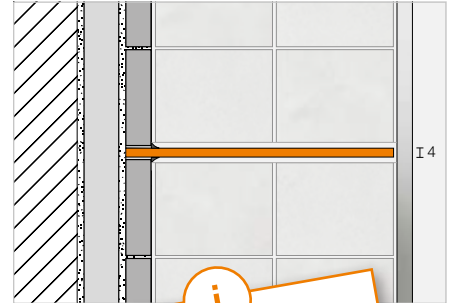
Shelf

Schlüter®-SHELF-N

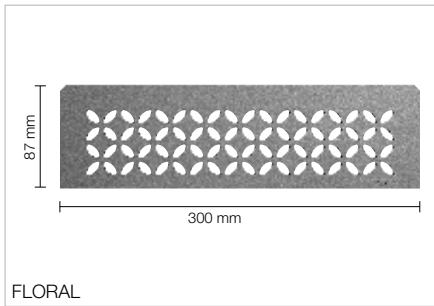


Schlüter-SHELF-N are rectangular shelves for use in our prefabricated Schlüter-KERDI-BOARD niches. They are available in the design variants FLORAL, CURVE, PURE, SQUARE and WAVE in the finishes brushed stainless steel or TRENDLINE powder coated aluminium. They are precisely fitted as a shelf in KERDI-BOARD niches during tile installation.

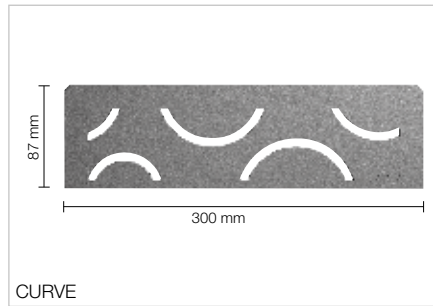
(Product data sheet 17.1)



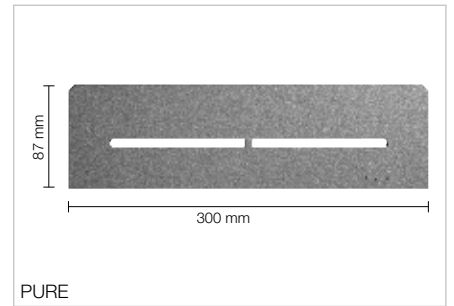
i
Now also available in TSG (textured natural grey)!



FLORAL



CURVE



PURE

Schlüter®-SHELF-N-S1-TS

shelf, FLORAL design, textured aluminium

Art. No.	€ / U.	P (Unit)
SN S1 D5 ...*	88.73	10

Schlüter®-SHELF-N-S1-TS

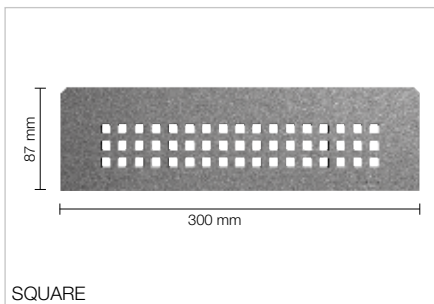
shelf, CURVE design, textured aluminium

Art. No.	€ / U.	P (Unit)
SN S1 D6 ...*	76.06	10

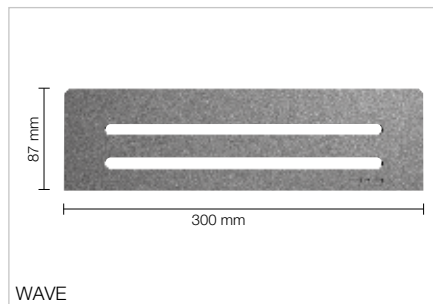
Schlüter®-SHELF-N-S1-TS

shelf, PURE design, textured aluminium

Art. No.	€ / U.	P (Unit)
SN S1 D7 ...*	89.51	10



SQUARE



WAVE

Schlüter®-SHELF-N-S1-TS

shelf, SQUARE design, textured aluminium

Art. No.	€ / U.	P (Unit)
SN S1 D3 ...*	89.51	10

Schlüter®-SHELF-N-S1-TS

shelf, WAVE design, textured aluminium

Art. No.	€ / U.	P (Unit)
SN S1 D10 ...*	89.51	10

Note:

Additional colours and finishes for Schlüter-SHELF-N can be found in the Illustrated Price List PS 24 on pages 268–269.

To complete the art. no., add the finish/colour (e.g. SN S1 D10 TSG)

* Finishes/colours:

TSBG - TSC - TSDA - TSG - TSI - TSOB - TSSG

Available finishes | colours



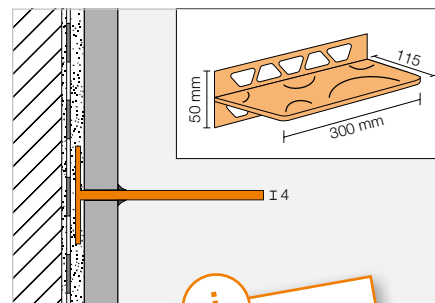
For an overview of finishes and colours, please see page 18.

Shelf

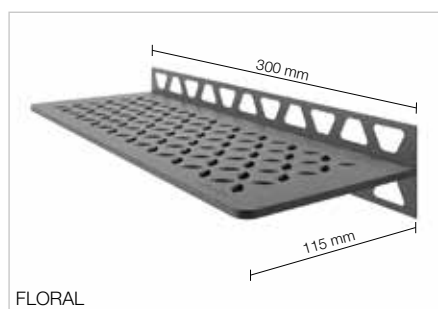
Schlüter®-SHELF-W



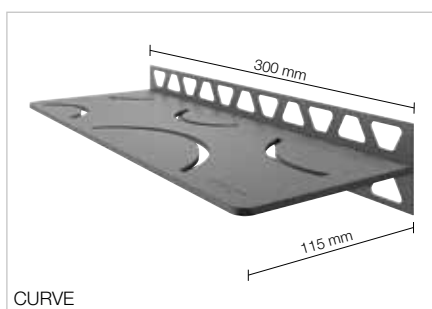
Schlüter-SHELF-W are rectangular shelves for wall surfaces. They are available in the design variants FLORAL, CURVE, PURE, SQUARE and WAVE in the finishes brushed stainless steel or TRENDLINE powder coated aluminium. Their trapezoid perforated anchoring legs are integrated into the tile assembly during tile installation. They are suitable as shelves in shower areas, but can also be integrated into other areas such as tiled kitchen walls. (Product data sheet 17.1)



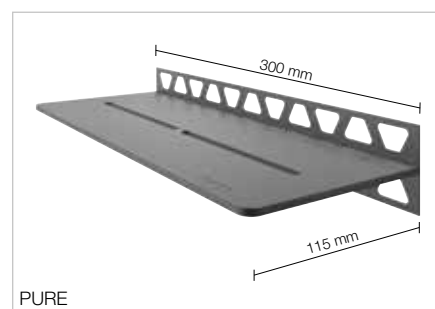
i
Now also available in TSG
(textured natural grey)!



FLORAL



CURVE



PURE

Schlüter®-SHELF-W-S1-TS

shelf, FLORAL design,
textured aluminium

Art. No.	€ / U.	P (Unit)
SW S1 D5 ...*	124.86	10

Schlüter®-SHELF-W-S1-TS

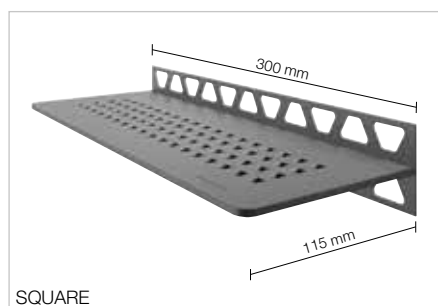
shelf, CURVE design,
textured aluminium

Art. No.	€ / U.	P (Unit)
SW S1 D6 ...*	112.19	10

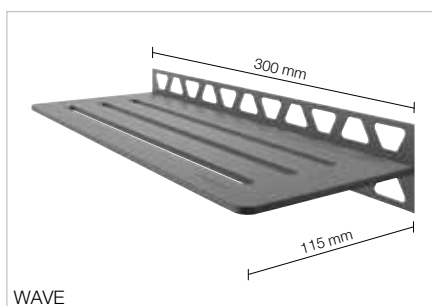
Schlüter®-SHELF-W-S1-TS

shelf, PURE design,
textured aluminium

Art. No.	€ / U.	P (Unit)
SW S1 D7 ...*	125.19	10



SQUARE



WAVE

Schlüter®-SHELF-W-S1-TS

shelf, SQUARE design,
textured aluminium

Art. No.	€ / U.	P (Unit)
SW S1 D3 ...*	125.19	10

Schlüter®-SHELF-W-S1-TS

shelf, WAVE design,
textured aluminium

Art. No.	€ / U.	P (Unit)
SW S1 D10 ...*	125.19	10

Note:

Additional colours and finishes for Schlüter-SHELF-W can be found in the Illustrated Price List PS 24 on pages 270–271.

To complete the art. no., add the finish/colour
(e.g. SW S1 D10 TSC)

* Finishes/colours:

TSBG - TSC - TSDA - TSG - TSI - TSOB - TSSG

Available finishes | colours



For an overview of finishes and colours, please see page 18.



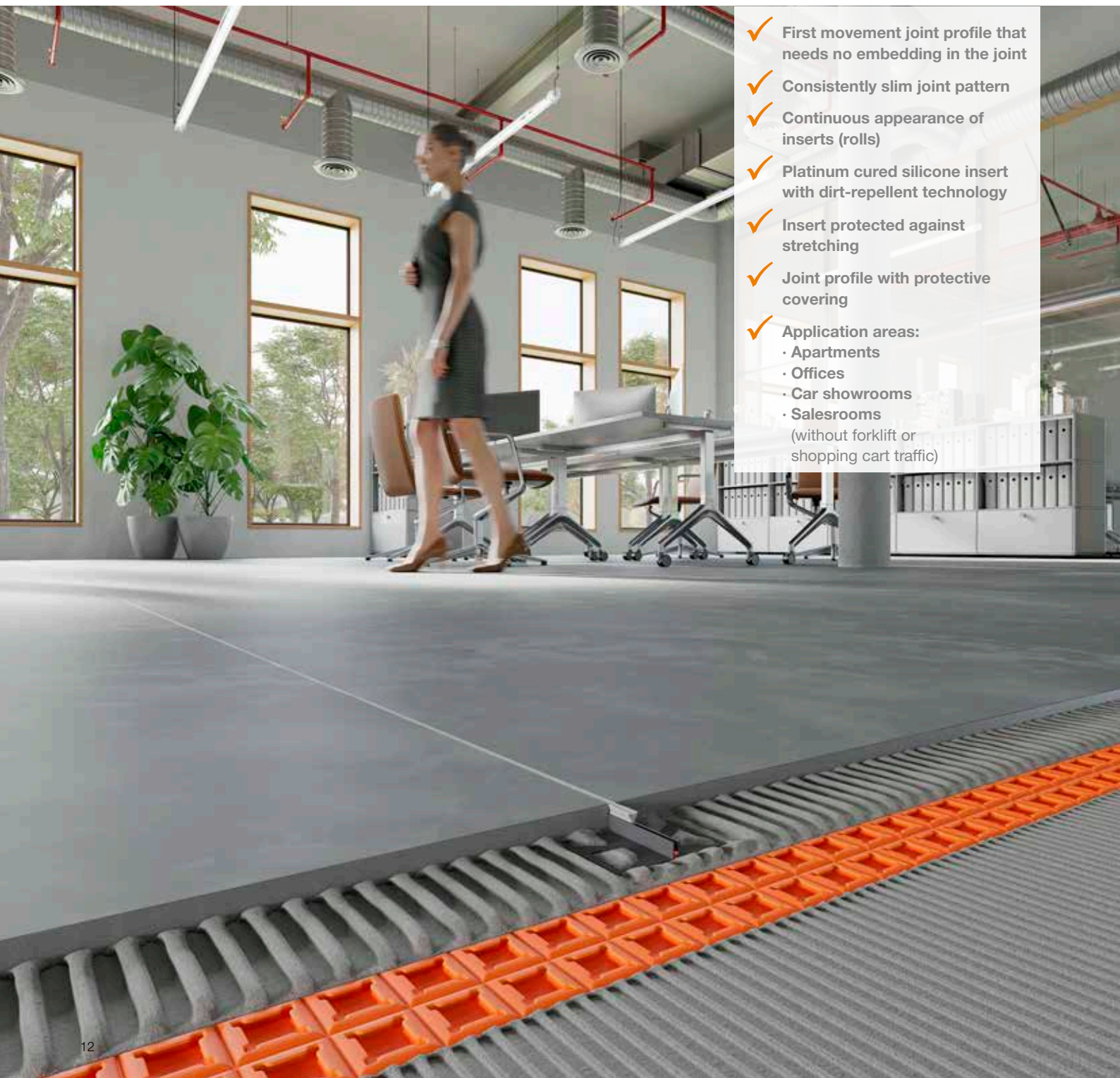
Schlüter®-DILEX-F

The unobtrusive movement joint that comes on a roll

Schlüter-DILEX-F is a virtually invisible movement joint for areas with only foot traffic. The ultraslim profile has been designed to absorb the usual movements of the tile assembly. The movement joint is hardly distinguishable from a grouted joint. This improves the design aesthetics of the floor covering whilst still ensuring the functional movement of the joints.

DILEX-F consists of the profile Schlüter-DILEX-FCS and the insert Schlüter-DILEX-FIS, which is available in rolls in 10 different colours. In addition to its unobtrusive visual appearance, the system offers further advantages. The dirt-repellent insert surface makes the joint especially easy to clean, the integrated nylon thread prevents inadvertent stretching of the insert and the supplied mounting aid allows for quick and easy insertion into the profile. This results in ultraslim movement joints without visible breaks.

- ✓ **First movement joint profile that needs no embedding in the joint**
- ✓ **Consistently slim joint pattern**
- ✓ **Continuous appearance of inserts (rolls)**
- ✓ **Platinum cured silicone insert with dirt-repellent technology**
- ✓ **Insert protected against stretching**
- ✓ **Joint profile with protective covering**
- ✓ **Application areas:**
 - Apartments
 - Offices
 - Car showrooms
 - Salesrooms(without forklift or shopping cart traffic)

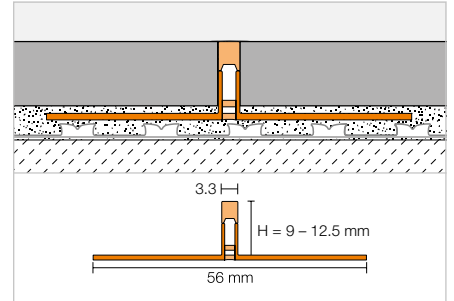


Movement joint profile

Schlüter®-DILEX-FCS



Schlüter-DILEX-FCS is a movement carrier profile with lateral parts made of recycled rigid PVC that forms a slim movement joint of about 3.5 mm without edge protection that needs no embedding in the joint. The integrated protective covering is removed after tile installation to fit the insert Schlüter-DILEX-FIS. (Product data sheet 4.23)

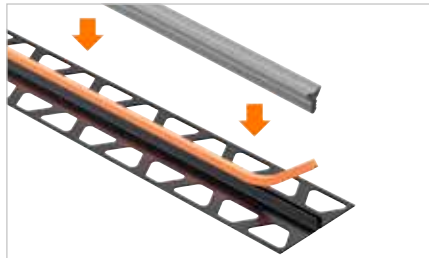


Schlüter®-DILEX-FCS



carrier profile PVC/CPE

H (mm)	L = 2.50 m Art. No.	€ / m	KV (Unit)
9	FCS 90	4.75	120
10	FCS 100	4.75	120
11	FCS 110	4.75	120
12.5	FCS 125	4.75	120

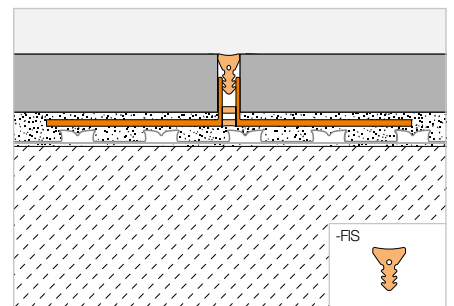


Insert

Schlüter®-DILEX-FIS



Schlüter-DILEX-FIS is an insert made of platinum cured silicone sold in rolls that fits slim movement joints with a visible area of approx. 3.5 mm. It is available in the below common joint colours. The insert can be evenly and quickly placed in the previously installed carrier profile Schlüter-DILEX-FCS, using the supplied mounting aid. The integrated thread prevents inadvertent stretching. (Product data sheet 4.23)



Schlüter®-DILEX-FIS



insert

L (m)	Art. No.	€ / m	P (Roll)
30	FIS 300 ...*	7.50	10



Note:

The mounting aid is included in the scope of supply.

To complete the art. no., add the colour (e.g. FIS 300 C)



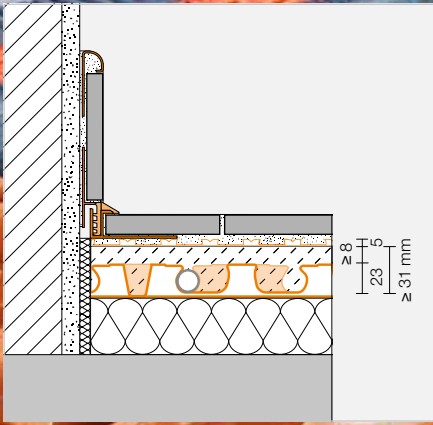
* Colours: BW - C - DA - FG - G - GS - HB - PG - SG - SP

An overview of finishes and colours can be found in the Illustrated Price List PS 24 from page 350.



Note:

Supporting information for Schlüter-DILEX-F is available in the Download section.



Schlüter®-BEKOTEC-EN-F-PS

The all-round talent – now in a self-adhesive version too

Technical system details

System height (incl. DITRA)	36 – 53 mm
Studded screed panel height	23 mm
Screed coverage	8 – 25 mm
Pipe diameter	14 x 2 mm 16 x 2 mm
Pipe installation spacing	75 150 225 300 mm
Heating pipe requirements	13.33 6.66 4.44 3.33 m/m ²
Max. heat output (VT 40 °C / RT 20 °C)*	14 mm: 130 90 50 40 W/m ² 16 mm: 140 100 60 40 W/m ²
Min. weight per unit area	57 kg/m ²
Min. screed volume	28.5 l/m ²
Max. traffic load	up to 5 kN/m ²

* VT = supply temperature / RT = room temperature

Technical details on the studded screed panel

Working area	120 x 90 cm = 1.08 m ²
Notes about insulation	DEO / DES is an option. see Technical Manual for details

Note:

The uncoupling mat Schlüter-DITRA must be adhered to the screed prior to the installation of ceramic tiles or natural stone on the screed. The mat can be installed as soon as the screed is ready to bear weight (gypsum screeds: < 2 % residual moisture). Please observe the instructions of our product data sheets 6.1 and 9.6. Further information can be found in our Technical Manual.

Studded screed panel

Schlüter®-BEKOTEC-EN-F-PS



Schlüter-BEKOTEC-EN-F-PS is a studded screed panel made of high impact polystyrene, designed for the attachment of Schlüter heating pipes (Ø 14/16 mm) with a self-adhesive backing. The studded panel is installed on suitable substrates after peeling off the release film. The cut back studs hold the heating pipe in a defined pattern (75 mm grid). The BEKOTEC panels are connected by overlapping a row of studs and clicking the panels together. A minimum coverage of 8 mm (max. 25 mm), using a commercial screed of quality CT-C25-F4 (ZE 20) or CA-C25-F4 (AE 20) and the BEKOTEC-THERM-HR heating pipes make sure that system coverings made of ceramic tile and natural stone remain permanently crack-free. Further information can be found in our Technical Manual.

Schlüter®-BEKOTEC-EN 23 F PS

self-adhesive studded screed panel

Art. No.	€/ m ²	P (Unit)
EN 23 F PS	26.50	20

1 panel (1.08 m²) = smallest delivery unit**Note:**

The BEKOTEC-EN-F-PS system can be installed with thermal or sound insulation. Depending on the substrate, Schlüter heating pipes with a diameter of 14/16 mm can be installed (see product data sheet 9.6).

Edging strip:

The edging strip BRS 808 KSF must be used with studded screed panels EN 23 F PS (see Illustrated Price List BT 24, page 34).

Heating pipe

Schlüter®-BEKOTEC-THERM-HR



Schlüter-BEKOTEC-THERM-HR is a 5-ply bonded heating pipe made of a high-quality polymer material (PE-RT) with an oxygen diffusion barrier in the centre. The highly flexible heating pipe, which complies with DIN 16833, is optimised for installation in BEKOTEC system panels. Its oxygen tightness is certified according to DIN 4726, and the product is subject to continuous quality monitoring.

Schlüter®-BEKOTEC-THERM-HR

heating pipe 14 x 2 mm for EN 23 F PS

L (m)	Art. No.	€/ m	P (Roll)
70	BTHR 14 RT 70	2.03	7
120	BTHR 14 RT 120	2.03	7
200	BTHR 14 RT 200	2.01	7
600	BTHR 14 RT 600	2.01	4

Schlüter®-BEKOTEC-THERM-HR

heating pipe 16 x 2 mm for EN 23 F PS

L (m)	Art. No.	€/ m	P (Roll)
70	BTHR 16 RT 70	2.07	7
120	BTHR 16 RT 120	2.07	7
200	BTHR 16 RT 200	2.05	7
600	BTHR 16 RT 600	2.05	4

Levelling panel

Schlüter®-BEKOTEC-ENFG-PS



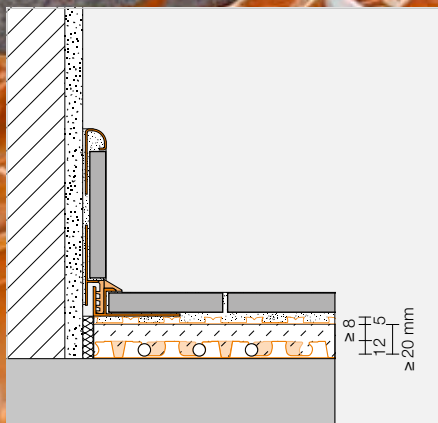
The levelling panel Schlüter-BEKOTEC-ENFG-PS is installed in front of heating circuit distributors to simplify the heating pipe installation in the distributor cabinet. The panel has a self-adhesive backing covered with a release film.

Schlüter®-BEKOTEC-ENFG-PS

self-adhesive levelling panel for EN 23 F PS

Art. No.	€/ U.	P (Unit)
EN 23 FG PS	32.50	10

Working area: 127.5 x 97.5 cm = 1.24 m²



Schlüter®-BEKOTEC-EN-FK-PS

The lightweight type – now in a self-adhesive version too

Technical system details

System height (incl. DITRA)	25 – 32 mm
Studded screed panel height	12 mm
Screed coverage	8 – 15 mm
Pipe diameter	10 x 1.3 mm
Pipe installation spacing	50 100 150 200 250 300 mm
Heating pipe requirements	20 10 6.66 5 4 3.33 m/m ²
Max. heat output (VT 40 °C / RT 20 °C)*	145 120 80 50 40 30 W/m ²
Min. weight per unit area	40 kg/m ²
Min. screed volume	20 l/m ²
Max. traffic load	up to 5 kN/m ²

* VT = supply temperature / RT = room temperature

Technical details on the studded screed panel

Working area	110 x 70 cm = 0.77 m ²
Notes about insulation	not suitable for use over an insulation layer

Note:

The uncoupling mat Schlüter-DITRA must be adhered over the screed prior to the installation of ceramic tiles or natural stone. The mat can be installed as soon as the screed is ready to bear weight (gypsum screeds: < 2 % residual moisture). Please observe the instructions of our product data sheets 6.1 and 9.7. Further information can be found in our Technical Manual.

Studded screed panel

Schlüter®-BEKOTEC-EN-FK-PS



Schlüter-BEKOTEC-EN-FK-PS is a studded screed panel made of high impact polystyrene with a self-adhesive backing. The studded panel is installed on suitable, weight bearing substrates after peeling off the release film. The cut back studs hold the heating pipe in a defined pattern (50 mm grid). The BEKOTEC panels are connected by overlapping a row of studs and clicking the panels together. A minimum coverage of 8 mm (max. 15 mm), using a commercial screed of quality CT-C25-F4 (ZE 20) or CA-C25-F4 (AE 20) and the BEKOTEC-THERM-HR heating pipes make sure that system coverings made of ceramic tile and natural stone remain permanently crack-free. Please refer to our Technical Manual for coverings and installations made of alternative materials.

Schlüter®-BEKOTEC-EN 12 F PS

self-adhesive studded screed panel

Art. No.	€ / m ²	P (Unit)
EN 12 F PS	25.50	20

1 panel (0.77 m²) = smallest delivery unit**Edging strip:**

The edging strip BRS 808 KSF must be used with studded screed panels EN 12 F PS (see Illustrated Price List BT 24, page 34).

Heating pipe

Schlüter®-BEKOTEC-THERM-HR



Schlüter-BEKOTEC-THERM-HR is a 5-ply bonded heating pipe made of a high-quality polymer material (PE-RT) with an oxygen diffusion barrier in the centre. The highly flexible heating pipe, which complies with DIN 16833, is optimised for installation in BEKOTEC system panels. Its oxygen tightness is certified according to DIN 4726, and the product is subject to continuous quality monitoring.

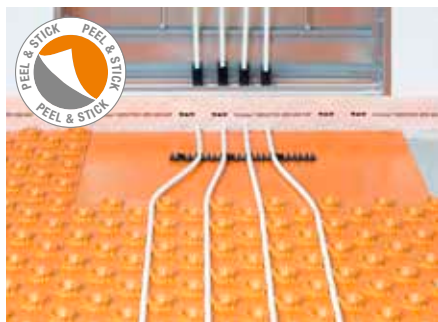
Schlüter®-BEKOTEC-THERM-HR

heating pipe 10 x 1.3 mm for EN 12 F PS

L (m)	Art. No.	€ / m	P (Roll)
70	BTHR 10 RT 70	1.85	8
120	BTHR 10 RT 120	1.85	8
200	BTHR 10 RT 200	1.82	8
600	BTHR 10 RT 600	1.82	5

Levelling panel

Schlüter®-BEKOTEC-ENFGK-PS



The levelling panel Schlüter-BEKOTEC-ENFGK-PS is installed in front of heating pipe distributors to simplify the heating pipe installation in the distributor cabinet. The panel has a self-adhesive backing covered with a release film.

Schlüter®-BEKOTEC-ENFGK-PS

self-adhesive levelling panel for EN 12 F PS

Art. No.	€ / U.	P (Unit)
EN 12 FG PS	22.00	10

Working area: 110 x 70 cm = 0.77 m²



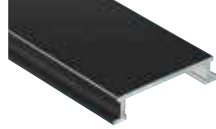
Finishes

Overview of TRENDLINE colours

Colour coated aluminium | aluminium textured coating



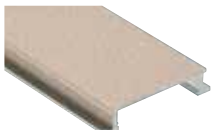
MBW
colour coated,
matte brilliant white



MGS
colour coated,
matte graphite black



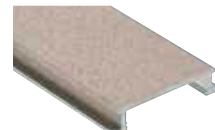
TSI
textured natural
ivory



TSC
textured natural
cream



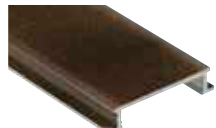
TSBG
textured natural
beige grey



TSSG
textured natural
stone grey



TSG
textured natural
grey



TSOB
textured natural
bronze



TSDA
textured natural
dark anthracite

Note:

This page displays all metal finishes of Schlüter-DESIGNLINE profiles for an improved, standardised overview. Please refer to the specific product data to verify the actual availability of individual materials.

Key

Properties



Peel & stick

Innovations



New product

Packaging units

PL = euro pallet

KV = case packaging

BV = bundle

All profiles are packaged in bundles of 10, unless specifically noted otherwise.

P = box packaging

R = roll

Unit = units

Dimensions

H = height

L = length

B = width

T = depth

Technical developments may lead to changes from the images, drawings and descriptions.

General Terms and Conditions



Subject to the General Terms and Conditions of Schlüter-Systems Ltd.
All previous price lists lose their validity on the publication of this price list. Errors, changes, and printing mistakes as well as changes necessary in the interest of product innovation or shipping reserved.
For reasons of printing, colours shown in this price list may differ from actual product colours.

You find the actual "General Terms and Conditions" of Schlüter-Systems Ltd. here:
<https://eu.schluter.com/en-GB/general-terms-and-conditions-2651.html>



schlueter-systems.com



Subject to the Standard Terms and Conditions of Sale of Schlüter-Systems Ltd.

Errors, changes, and printing mistakes as well as changes necessary in the interest of product innovation or shipping reserved. For reasons of printing, colours shown in this price list may differ from actual product colours.



P R O F I L E O F I N N O V A T I O N

Schlüter-Systems KG · Schmölestraße 7 · D-58640 Iserlohn

Tel.: +49 2371 971-1261 · Fax: +49 2371 971-1112 · info@schlueter.de · schlueter-systems.com

Schlüter-Systems Ltd · Units 3-6 Bardon 22 Industrial Estate · Bardon Hill · Coalville · Leicestershire · LE67 1TE

Tel.: +44 1530 813396 · Fax: +44 1530 813376 · sales@schluter.co.uk · schluter.co.uk