

Schlüter® - Bathroom Systems

Illustrated price list PS 24

Ireland · Effective 1st January 2024



2024



Schlüter®-Bathroom Systems

Single source system solutions for tile & stone

Tile and stone are a beautiful choice for many areas of the home. Schlüter-Systems is the market leader in essential accessories for tile and stone; our overarching aim is to ensure that you and your customers have the perfect support, protection and decoration for these stunning materials. Choosing Schlüter-Systems isn't just about buying a product from us. Our knowledgeable people, our industry-leading service and our collaborative approach, combined with our innovative product systems, means that you're making a safe and dependable choice.



FIND OUT MORE
ABOUT OUR SYSTEMS



1	Shower drainage	
	Linear drain kits	10 - 11
	Linear, grate & frame combinations	12 - 20
	Point, grate & frame combinations	21 - 26
	Shower & bath tub sealing kits	27 - 28
2	Waterproofing for walls	
	Waterproof membrane wall kits	29
	Waterproof membranes for walls	30
	Waterproof sealing tape	30 - 31
	Waterproof corner seals	31
	Waterproof pipe collars	32
	Waterproof sealing adhesives	32 - 33
3	Tile backerboards	
	Tile backerboards	34 - 36
	Accessories	37 - 41
	Niches	42 - 43
	Illuminated niches	44 - 49
	Vanity set	50 - 53
4	Waterproofing, uncoupling & heating for floors	
	Uncoupling membranes	54
	Heating membrane kits	55 - 59
	Heating membranes	60 - 61
	Heating cables	62
	Accessories	62 - 63
	Thermostats	63
5	Design features	
	Shelves	
	Shelves for wall corners	65 - 71
	Shelves for niches	72 - 73
	Shelves for walls	74 - 75
	Edge profiles for floor coverings	
	L-shaped tile profiles	76 - 84
	Transition profiles	85 - 89
	Wall corner & edge profiles	
	Cubic shaped tile profiles	90 - 100
	Rounded edge tile profiles	101 - 109
	L-shaped tile profiles	110 - 116
	Mitered edge tile profiles	117 - 123
	Shadow gap tile profiles	124 - 125
	Profiles for vinyl wall and floor coverings	126 - 131
6	Kits	
	Linear drains	133
	Waterproofing kits for walls	134
	Underfloor heating kits	135 - 137
7	Installation accessories	
	Tools & accessories	138 - 141

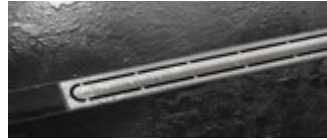


C	
Schlüter®-CLEAN-CP	139
D	
Schlüter®-DECO	124
Schlüter®-DECO-SG	125
Schlüter®-DITRA	54
Schlüter®-DITRA-HEAT	60
Schlüter®-DITRA-HEAT-PS	61
Schlüter®-DITRA-HEAT-DUO	60
Schlüter®-DITRA-HEAT-DUO-PS	61
Schlüter®-DITRA-HEAT-E-CT	62
Schlüter®-DITRA-HEAT-E-DUO-PS-S	59, 137
Schlüter®-DITRA-HEAT-E-DUO-S	56, 135
Schlüter®-DITRA-HEAT-E-DUO-WS	57, 136
Schlüter®-DITRA-HEAT-E-HK	62
Schlüter®-DITRA-HEAT-E-R6 /-R4	63
Schlüter®-DITRA-HEAT-E-ZS	63
F	
Schlüter®-FINEC-A	119
Schlüter®-FINEC-E	118
Schlüter®-FINEC-SQ	122
Schlüter®-FINEC-TS	120
J	
Schlüter®-JOLLY-A	114
Schlüter®-JOLLY-AC	116
Schlüter®-JOLLY-AE	111
Schlüter®-JOLLY-MC	111
Schlüter®-JOLLY-TS	112
K	
Schlüter®-KERDI-200	30
Schlüter®-KERDI-200 Kits	29, 134
Schlüter®-KERDI-BOARD	35
Schlüter®-KERDI-BOARD-E	36
Schlüter®-KERDI-BOARD-N	42
Schlüter®-KERDI-BOARD-NLT	44
Schlüter®-KERDI-BOARD-NLT-BR	46
Schlüter®-KERDI-BOARD-U	36
Schlüter®-KERDI-BOARD-V	36
Schlüter®-KERDI-BOARD-W	51
Schlüter®-KERDI-BOARD-ZA	39
Schlüter®-KERDI-BOARD-ZB	39
Schlüter®-KERDI-BOARD-ZC	38
Schlüter®-KERDI-BOARD-ZDK	41
Schlüter®-KERDI-BOARD-ZFP	41
Schlüter®-KERDI-BOARD-ZS	40
Schlüter®-KERDI-BOARD-ZSA	41
Schlüter®-KERDI-BOARD-ZSD	40
Schlüter®-KERDI-BOARD-ZT	40
Schlüter®-KERDI-BOARD-ZW	38
Schlüter®-KERDI-COLL-L	28, 32, 37, 64
Schlüter®-KERDI-CP	27
Schlüter®-KERDI-DRAIN	21
Schlüter®-KERDI-FIX	33
Schlüter®-KERDI-FLEX	31
Schlüter®-KERDI-KEBA	30, 34, 37
Schlüter®-KERDI-KERECK-F	31
Schlüter®-KERDI-LINE-G3	12
Schlüter®-KERDI-LINE-G3 Kits	11
Schlüter®-KERDI-MV	32
Schlüter®-KERDI-SHOWER-LTS	19
Schlüter®-KERDI-SHOWER-TS /-TT	26
Schlüter®-KERDI-TS	27
Schlüter®-KERDI-TS-ZC	28
P	
Schlüter®-PROCUT-PSF	140
Schlüter®-PROCUT-TSM	140
Q	
Schlüter®-QUADEC-A	96
Schlüter®-QUADEC-AC	99
Schlüter®-QUADEC-E	92
Schlüter®-QUADEC-MC	91
Schlüter®-QUADEC-PQ	100
Schlüter®-QUADEC-TS	94
R	
Schlüter®-REMA	139
Schlüter®-RENO-TK	87
Schlüter®-RENO-U	88
Schlüter®-RENO-V	85
Schlüter®-RENO-VB	86
Schlüter®-RENO-VT	86
Schlüter®-RONDEC-A	106
Schlüter®-RONDEC-AC	108
Schlüter®-RONDEC-DB	109
Schlüter®-RONDEC-E	102
Schlüter®-RONDEC-MC	101
Schlüter®-RONDEC-TS	104
Schlüter®-RUMA	139
S	
Schlüter®-SCHIENE-A	81
Schlüter®-SCHIENE-BASIC	84
Schlüter®-SCHIENE-AC	82
Schlüter®-SCHIENE-AE	78
Schlüter®-SCHIENE-E /-EB	79
Schlüter®-SCHIENE-ES	83
Schlüter®-SCHIENE-M /-MC	78
Schlüter®-SCHIENE-TS	79
Schlüter®-SCHIENE-V	84
Schlüter®-SHELF-E-S1	66
Schlüter®-SHELF-E-S2	68
Schlüter®-SHELF-E-S3	70
Schlüter®-SHELF-N	72
Schlüter®-SHELF-W	74
T	
Schlüter®-TERRAZZO	89
Schlüter®-TROWEL	140

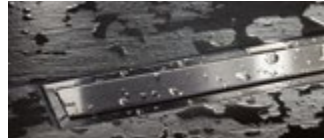
DRAINAGE & SHOWER TRAYS



Schlüter®-KERDI-LINE-G3
Page 12



Schlüter®-KERDI-LINE-STYLE
Page 15



Schlüter®-KERDI-LINE-A/-B /-D-G3
Page 16



Schlüter®-KERDI-SHOWER-LTS
Page 19



Schlüter®-SHOWERPROFILE-SPS180
Page 20



Schlüter®-KERDI-DRAIN
Page 24

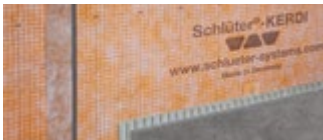


Schlüter®-KERDI-SHOWER-TS/-TT
Page 26



Schlüter®-KERDI-TS /-TS-ZC /-CP
Page 27, 28

WATERPROOFING FOR WALLS



Schlüter®-KERDI
Page 29



Schlüter®-KERDI-KEBA
Page 30, 31, 37



Schlüter®-KERDI-FLEX
Page 31



Schlüter®-KERDI-KERECK-F
Page 31



Schlüter®-KERDI-MV
Page 32

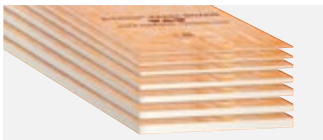


Schlüter®-KERDI-COLL-L
Page 28, 32, 37, 64



Schlüter®-KERDI-FIX
Page 33

TILE BACKERBOARDS



Schlüter®-KERDI-BOARD
Page 35



Schlüter®-KERDI-BOARD-V
Page 36



Schlüter®-KERDI-BOARD-E
Page 36



Schlüter®-KERDI-BOARD-U
Page 36



Schlüter®-KERDI-BOARD-ZW
Page 38



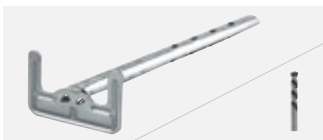
Schlüter®-KERDI-BOARD-ZC
Page 38



Schlüter®-KERDI-BOARD-ZA
Page 39



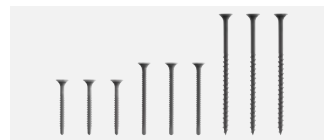
Schlüter®-KERDI-BOARD-ZB
Page 39



Schlüter®-KERDI-BOARD-ZSD
Page 40



Schlüter®-KERDI-BOARD-ZT
Page 40



Schlüter®-KERDI-BOARD-ZS
Page 40



Schlüter®-KERDI-BOARD-ZDK
Page 41



TILE BACKERBOARDS

(CONT.)



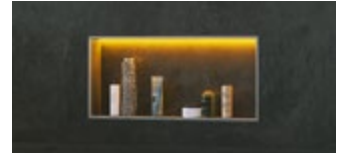
Schlüter®-KERDI-BOARD-ZSA
Page 41



Schlüter®-KERDI-BOARD-ZFP
Page 41



Schlüter®-KERDI-BOARD-N
Page 42



Schlüter®-KERDI-BOARD-NLT/-NLT-BR
Page 44, 46



Schlüter®-LIPROTEC-ERP
Page 48



Schlüter®-KERDI-BOARD-W
Page 51



Schlüter®-KERDI-LINE-VARIO
Page 52

WATERPROOFING, UNCOUPLING & HEATING FOR FLOORS



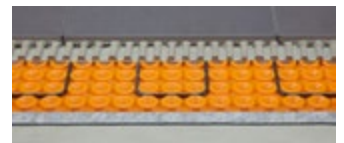
Schlüter®-DITRA
Page 54



Schlüter®-DITRA-HEAT-E Kits
Page 56, 135



Schlüter®-DITRA-HEAT /-DUO
Page 60



Schlüter®-DITRA-HEAT-PS /-DUO-PS
Page 61



Schlüter®-DITRA-HEAT-E-HK
Page 62



Schlüter®-DITRA-HEAT-E-CT
Page 62



Schlüter®-DITRA-HEAT-E-ZS
Page 63



Schlüter®-DITRA-HEAT-E-R6 /-R4
Page 63

DESIGN FEATURES



Schlüter®-SHELF-E-S1 /-S2 /-S3
Page 66



Schlüter®-SHELF-N
Page 72



Schlüter®-SHELF-W
Page 74

EDGE PROFILES FOR FLOOR COVERINGS



Schlüter®-SCHIENE
Page 78



Schlüter®-RENO
Page 85



Schlüter®-TERRAZZO
Page 89

WALL CORNER AND EDGE PROFILES



Schlüter®-QUADEC
Page 91



Schlüter®-RONDEC
Page 101



Schlüter®-JOLLY
Page 111



Schlüter®-FINEC
Page 118



Schlüter®-FINEC-SQ
Page 122



Schlüter®-DECO
Page 124



Schlüter®-DECO-SG
Page 125

PROFILES FOR VINYL WALL AND FLOOR COVERINGS



Schlüter®-VINPRO-T
Page 126



Schlüter®-VINPRO-U /-S
Page 127, 128



Schlüter®-VINPRO-RO
Page 129



Schlüter®-VINPRO-STEP /-R
Page 130

KITS



Schlüter®-KERDI-LINE-G3 Kits
Page 133



Schlüter®-KERDI-200 Kits
Page 29, 134



Schlüter®-DITRA-HEAT-E Kits
Page 56, 136

INSTALLATION ACCESSORIES



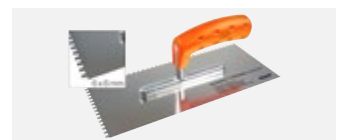
Schlüter®-REMA
Page 139



Schlüter®-CLEAN-CP
Page 139



Schlüter®-RUMA
Page 139



Schlüter®-TROWEL
Page 140



Schlüter®-PROCUT-TSM
Page 140



Schlüter®-PROCUT-PSF
Page 140



Schlüter®-KERDI-LINE

Elegant linear drainage

Linear drainage brings elegance and functionality to floor-level showers. Schlüter-KERDI-LINE are complete systems that include all components for draining floor-level shower areas.

- ✓ Up to eight channel lengths
- ✓ Low assembly heights
- ✓ Complete sets with waterproofing collar
- ✓ Six different channel covers
- ✓ Schlüter-KERDI-LINE-STYLE in three elegant designs with slim contour frames
- ✓ Stainless steel grates and frames
- ✓ Flexibly adjustable to tile thicknesses

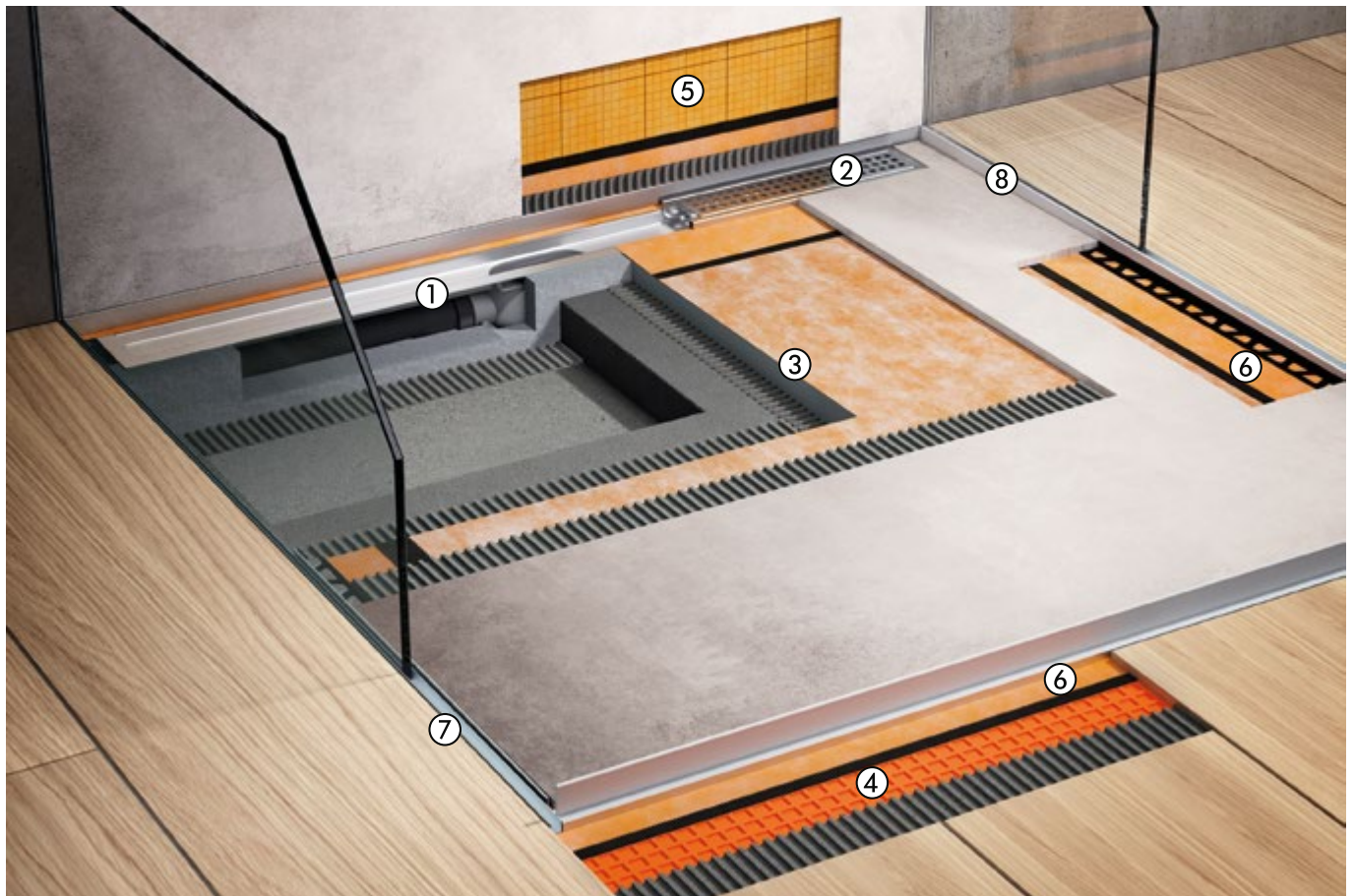


← NEED HELP SELECTING A DRAIN?
TRY OUR SELECTOR TOOL

Schlüter®-KERDI-LINE

Fully matched complete system

The Schlüter-KERDI-LINE-G3 linear drainage channels come with horizontal exits for connection to the building drainage system. Schlüter-KERDI-SHOWER sloped trays are a quick way to create level and waterproof substrates for tile installation. Schlüter-DECO-SG keeps shower screens in their correct positions. Schlüter-KERDI and -DITRA ensure waterproofing in the wall and floor area. Abutting joints are sealed with Schlüter-KERDI-KEBA sealing tapes, using Schlüter-KERDI-COLL-L.



- | | | |
|---|---|----------|
| ① | Schlüter®-KERDI-LINE-G3 drainage channels | Page 12 |
| ② | Schlüter®-KERDI-LINE grate and frame sets | Page 15 |
| ③ | Schlüter®-KERDI-SHOWER | Page 19 |
| ④ | Schlüter®-DITRA | Page 54 |
| ⑤ | Schlüter®-KERDI 200 | Page 30 |
| ⑥ | Schlüter®-KERDI-KEBA | Page 30 |
| ⑦ | Schlüter®-DECO-SG | Page 125 |



Schlüter®-KERDI-LINE Kits

Elegant tilable linear drain kits for common shower sizes

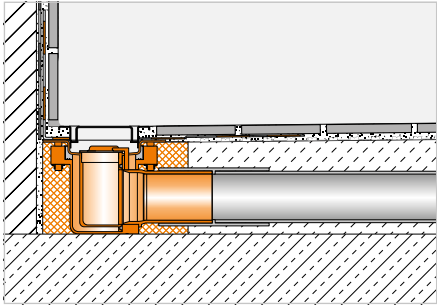


These kits combine everything you need to create a tilable shower tray with linear drainage:

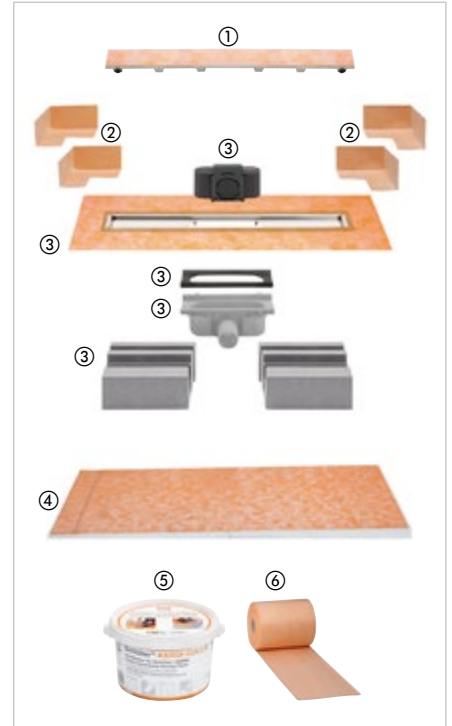
- ✓ Linear drain and tilable drain grate from 50 to 120 cm length
- ✓ Tilable shower tray that can be cut to size
- ✓ Corner seals, sealing band and adhesive to ensure the shower area is fully waterproof

Linear drainage & shower board kits

Schlüter®-KERDI-LINE-G3 Kits



We've taken our most popular linear drain – Schlüter-KERDI-LINE-G3 – and combined it with the other products you will need to create a ready to tile shower floor area. Just choose your desired length of drain from 50 to 120 cm. All of the kit components can be purchased separately so please contact us for advice on creating a waterproof shower area using the components.



Schlüter®-KERDI-LINE-G3 Kits

centre outlet, stainless steel V4A linear drainage, shower tray kits

Art No.	L = cm (drain / grate)	L x W = cm (shower tray)	H = mm (shower tray)	€ / Set
DWPK 50	50	200 x 136	39	823.04
DWPK 60	60	200 x 136	39	841.80
DWPK 70	70	200 x 136	39	862.56
DWPK 80	80	200 x 136	39	882.49
DWPK 90	90	200 x 136	39	902.03
DWPK 100	100	200 x 136	39	923.15
DWPK 110	110	200 x 136	39	944.27
DWPK 120	120	200 x 136	39	963.81

Technical data:

Drain	BS 40 (outside diameter 43 mm)
Drain capacity	0.45 l/s (single drain)
Water trap height	50 mm
Installation height	78 mm
Width of cover incl. frame	74 mm

Note:

If the drain is to be installed in a timber substrate floor, then please order the installation accessory below separately.

Schlüter-KERDI-LINE-G3 Kits contains:

- ① tilable drain grate
- ② corner seals x 4
- ③ linear drain
- ④ tilable shower tray
- ⑤ sealing adhesive 1.85 kg
- ⑥ sealing band 5 linear metres

INSTALLATION VIDEO →



Installation accessories

Schlüter®-KERDI-LINE-F-G3



Schlüter-KERDI-LINE-F-G3 Timber Accessory is an accessory set for installing the drainage channel Schlüter-KERDI-LINE-G3 in a suspended wooden ceiling with use of the sloped tray Schlüter-KERDI-SHOWER-LTS (KSLT 1365 / 2000 S).

Schlüter®-KERDI-LINE-F-G3

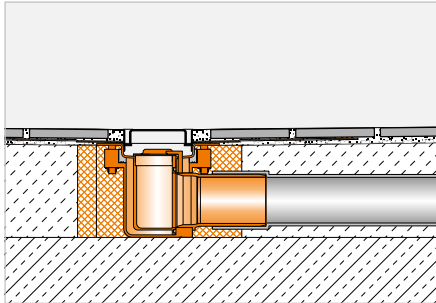
installation accessories for the linear drainage Schlüter-KERDI-LINE-G3

Art. No.	€ / Set	P (Set)
KL F 43 G3 TA	51.25	10

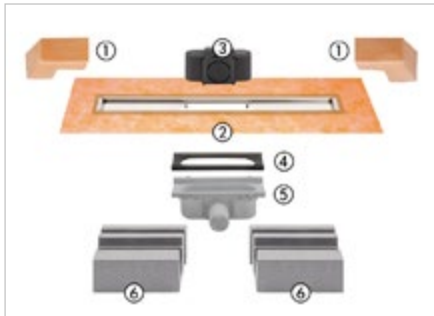
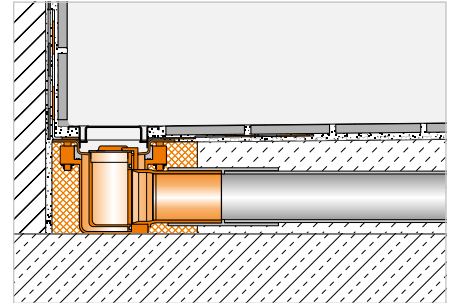


Linear drainage, horizontal

Schlüter®-KERDI-LINE-G3



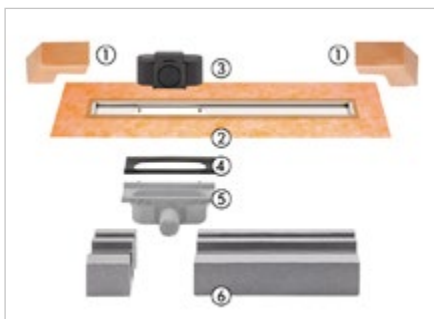
Schlüter-KERDI-LINE-G3 is a low-height linear drain constructed of stainless steel. This drain is available with central, offset and dual outlets and is suitable for perimeter or intermediate installation. As is standard for Schlüter linear drains, it also comes with a pre-adhered collar made of Schlüter-KERDI to create a reliable connection to the bonded waterproofing assembly.



Schlüter®-KERDI-LINE-G3

centre outlet, stainless steel V4A linear drainage

L (cm)	L1 (cm)	Art. No.	€ / Set	P (Set)
50	55	KL F 43 G3E 50	347.40	10
60	65	KL F 43 G3E 60	360.27	10
70	75	KL F 43 G3E 70	373.13	10
80	85	KL F 43 G3E 80	386.00	10
90	95	KL F 43 G3E 90	398.88	10
100	105	KL F 43 G3E 100	411.74	10
110	115	KL F 43 G3E 110	424.61	10
120	125	KL F 43 G3E 120	437.48	10



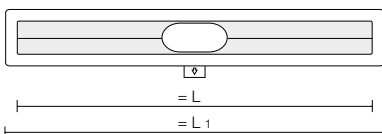
Schlüter®-KERDI-LINE-G3

left offset outlet, stainless steel V4A linear drainage

L (cm)	L1 (cm)	Art. No.	€ / Set	P (Set)
70	75	KL FOL 43 G3E 70	411.74	10
80	85	KL FOL 43 G3E 80	424.61	10
90	95	KL FOL 43 G3E 90	437.48	10
100	105	KL FOL 43 G3E 100	450.34	10
110	115	KL FOL 43 G3E 110	463.21	10
120	125	KL FOL 43 G3E 120	476.07	10

Set components:

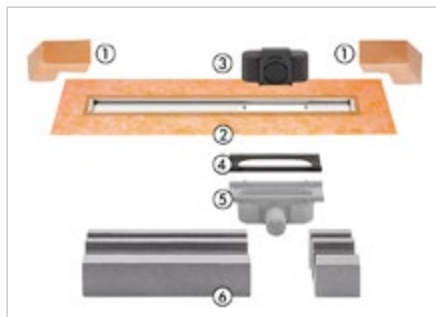
- 1 corner seal
(for upright wall connection)
- 2 channel body with sealing collar
- 3 odour seal
- 4 EPDM gasket
- 5 drain body
- 6 channel support



Technical data:

Drain	BS 40 (outside diameter 43 mm)
Drain capacity	0.45 l/s (single drain) 0.8 l/s (double drain)
Water trap height	50 mm
Installation height	78 mm
Width of cover incl. frame	74 mm

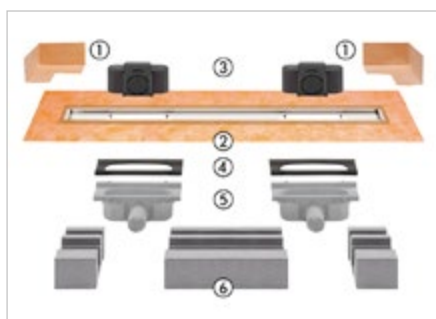
Please Note: If the drain & grate required exceeds 120 cm in length, please contact your Area Sales Consultant for alternative options.



Schlüter®-KERDI-LINE-G3

right offset outlet, stainless steel V4A linear drainage

L (cm)	L1 (cm)	Art. No.	€ / Set	P (Set)
70	75	KL FOR 43 G3E 70	411.74	10
80	85	KL FOR 43 G3E 80	424.61	10
90	95	KL FOR 43 G3E 90	437.48	10
100	105	KL FOR 43 G3E 100	450.34	10
110	115	KL FOR 43 G3E 110	463.21	10
120	125	KL FOR 43 G3E 120	476.07	10



Schlüter®-KERDI-LINE-G3

dual offset outlet, stainless steel V4A linear drainage

L (cm)	L1 (cm)	Art. No.	€ / Set	P (Set)
100	105	KL F20 43 G3E 100	540.41	10
110	115	KL F20 43 G3E 110	553.27	10
120	125	KL F20 43 G3E 120	566.14	10

Set components:

- 1 corner seal
(for upright wall connection)
- 2 channel body with sealing collar
- 3 odour seal
- 4 EPDM gasket
- 5 drain body
- 6 channel support

Technical data:

Drain	BS 40 (outside diameter 43 mm)
Drain capacity	0.45 l/s (single drain) 0.8 l/s (double drain)
Water trap height	50 mm
Installation height	78 mm
Width of cover incl. frame	74 mm

Note:

Schlüter-KERDI-LINE-G3 can only be combined with the grate and frame combinations Design A, Design B and KERDI-LINE-STYLE.

INSTALLATION VIDEO →



Installation accessories

Schlüter®-KERDI-LINE-F-G3



Schlüter-KERDI-LINE-F-G3 Timber Accessory is an accessory set for installing the drainage channel Schlüter-KERDI-LINE-G3 in a suspended wooden ceiling with use of the sloped tray Schlüter-KERDI-SHOWER-LTS (KSLT 1365 / 2000 S).

Schlüter®-KERDI-LINE-F-G3

Installation accessories for the linear drainage Schlüter-KERDI-LINE-G3

Art. No.	€ / Set	P (Set)
KL F 43 G3 TA	51.25	10

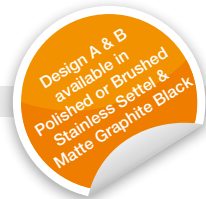


Schlüter®-KERDI-LINE

All designs at a glance

This overview illustrates the versatile Schlüter-Systems design options for linear drainage, whichever one you choose you are guaranteed to install our proven Schlüter-Systems quality.

Schlüter®-KERDI-LINE: The classics in a profile frame



Design A: SOLID

Design B: SQUARE

FLORAL design

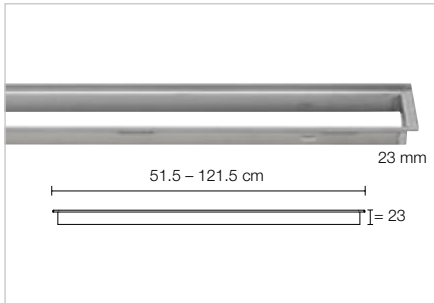
CURVE design

PURE design

Design D: TILE (frameless)

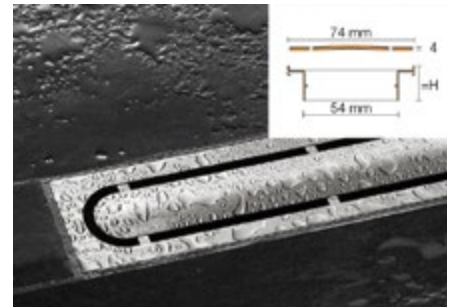
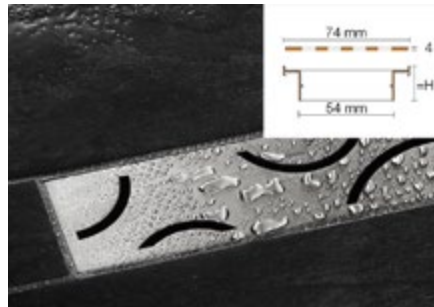
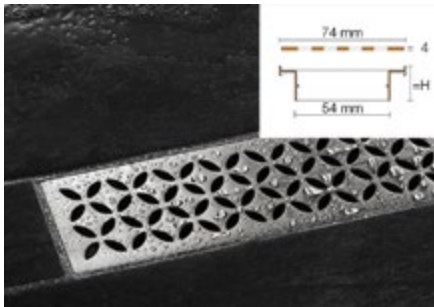
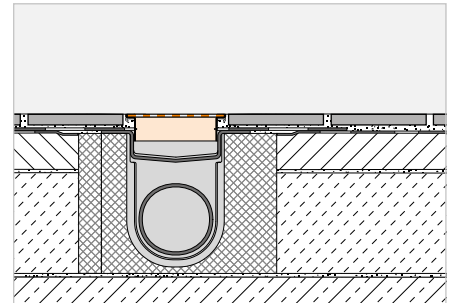
Grate and frame combination

Schlüter®-KERDI-LINE-STYLE



Schlüter-KERDI-LINE-STYLE are contour frames with elegant design covers made of brushed stainless steel to match Schlüter-KERDI-LINE channel bodies. The slim contour frame is seamlessly height-adjustable to accommodate covering materials in thicknesses from 6 to 18 mm. The covers are available in the design variants FLORAL, CURVE and PURE.

(Product data sheet 8.7)



Schlüter®-KERDI-LINE-IF-E

FLORAL design, 23 mm frame, stainless steel V4A, brushed

L (cm)	H = 23 mm Art. No.	€ / Set	P (Set)
50	KLIFE 23 EB 50	353.00	10
60	KLIFE 23 EB 60	366.32	10
70	KLIFE 23 EB 70	379.64	10
80	KLIFE 23 EB 80	406.28	10
90	KLIFE 23 EB 90	432.92	10
100	KLIFE 23 EB 100	459.56	10
110	KLIFE 23 EB 110	486.22	10
120	KLIFE 23 EB 120	512.84	10

Schlüter®-KERDI-LINE-IF-F

CURVE design, 23 mm frame, stainless steel V4A, brushed

L (cm)	H = 23 mm Art. No.	€ / Set	P (Set)
50	KLIFF 23 EB 50	339.69	10
60	KLIFF 23 EB 60	353.00	10
70	KLIFF 23 EB 70	366.32	10
80	KLIFF 23 EB 80	386.32	10
90	KLIFF 23 EB 90	406.28	10
100	KLIFF 23 EB 100	426.27	10
110	KLIFF 23 EB 110	446.24	10
120	KLIFF 23 EB 120	466.23	10

Schlüter®-KERDI-LINE-IF-G

PURE design, 23 mm frame, stainless steel V4A, brushed

L (cm)	H = 23 mm Art. No.	€ / Set	P (Set)
50	KLIFG 23 EB 50	379.64	10
60	KLIFG 23 EB 60	392.97	10
70	KLIFG 23 EB 70	406.28	10
80	KLIFG 23 EB 80	426.27	10
90	KLIFG 23 EB 90	446.24	10
100	KLIFG 23 EB 100	466.23	10
110	KLIFG 23 EB 110	486.22	10
120	KLIFG 23 EB 120	512.84	10

Note:

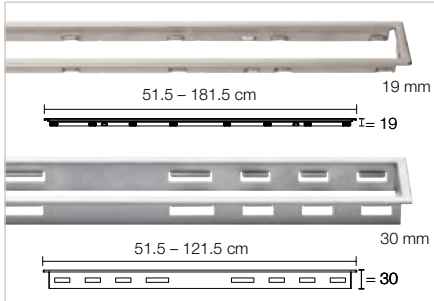
H = 23 mm for covering thicknesses 6 - 18 mm

Covers and frames cannot be combined with Schlüter-KERDI-LINE-A/-B/-D.

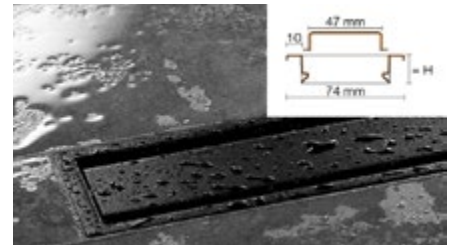
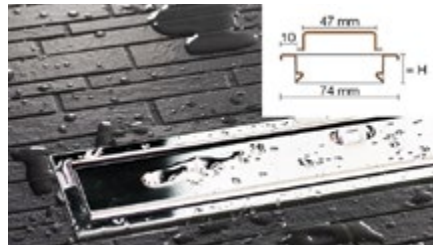
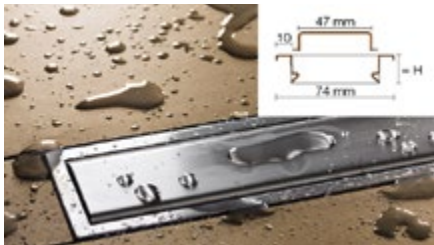
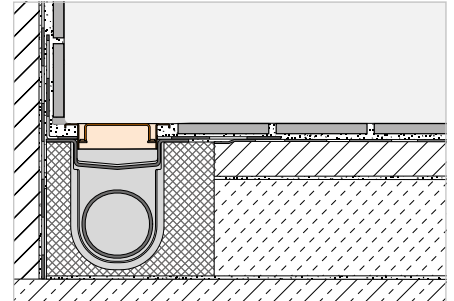


Grate and frame combination

Schlüter®-KERDI-LINE-A



Schlüter-KERDI-LINE are profile frames made of brushed, polished or colour coated stainless steel with classic grate covers that match Schlüter-KERDI-LINE channel bodies. The profile frames are seamlessly height adjustable to accommodate covering materials in thicknesses from 3 to 25 mm. (Product data sheet 8.7)



Schlüter®-KERDI-LINE-A

SOLID design, 19 mm frame, stainless steel V4A, brushed

L (cm)	H = 19 mm Art. No.	€ / Set	P (Set)
50	KLA 19 EB 50	245.75	10
60	KLA 19 EB 60	252.32	10
70	KLA 19 EB 70	258.70	10
80	KLA 19 EB 80	265.22	10
90	KLA 19 EB 90	271.65	10
100	KLA 19 EB 100	278.03	10
110	KLA 19 EB 110	284.84	10
120	KLA 19 EB 120	291.42	10

Schlüter®-KERDI-LINE-A

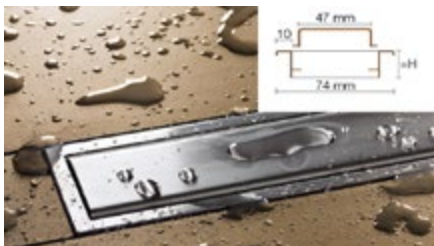
SOLID design, 19 mm frame, polished stainless steel V4A

L (cm)	H = 19 mm Art. No.	€ / Set	P (Set)
50	KLA 19 EP 50	266.65	10
60	KLA 19 EP 60	273.76	10
70	KLA 19 EP 70	280.66	10
80	KLA 19 EP 80	287.77	10
90	KLA 19 EP 90	294.73	10
100	KLA 19 EP 100	301.66	10
110	KLA 19 EP 110	309.06	10
120	KLA 19 EP 120	316.18	10

Schlüter®-KERDI-LINE-A

SOLID design, 19 mm frame, colour coated stainless steel V4A, matte graphite black

L (cm)	H = 19 mm Art. No.	€ / Set	P (Set)
50	KLA 19 MGS 50	319.48	10
60	KLA 19 MGS 60	328.01	10
70	KLA 19 MGS 70	336.30	10
80	KLA 19 MGS 80	344.80	10
90	KLA 19 MGS 90	353.14	10
100	KLA 19 MGS 100	361.44	10
110	KLA 19 MGS 110	370.29	10
120	KLA 19 MGS 120	378.85	10



i Polished stainless steel is the perfect choice for matching other chrome finishes in the bathroom.

Schlüter®-KERDI-LINE-A

SOLID design, 30 mm frame, stainless steel V4A, brushed

L (cm)	H = 30 mm Art. No.	€ / Set	P (Set)
50	KLA 30 EB 50	253.38	10
60	KLA 30 EB 60	259.46	10
70	KLA 30 EB 70	266.00	10
80	KLA 30 EB 80	273.76	10
90	KLA 30 EB 90	279.24	10
100	KLA 30 EB 100	286.08	10
110	KLA 30 EB 110	292.77	10
120	KLA 30 EB 120	298.25	10

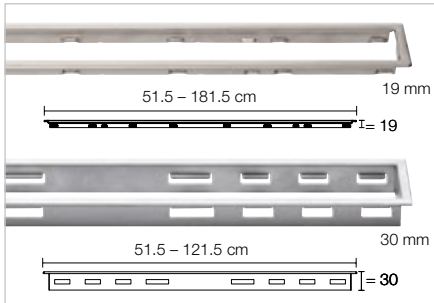
Note:

H = 19 mm for covering thicknesses 3 - 15 mm
H = 30 mm for covering thicknesses 13 - 25 mm

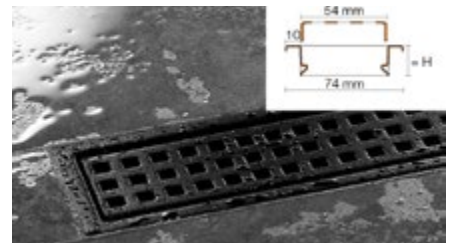
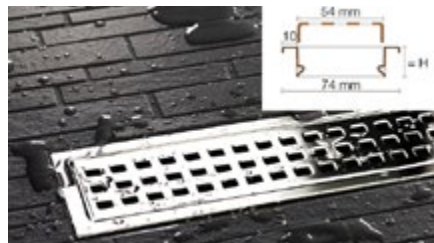
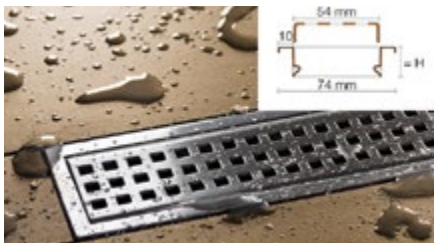
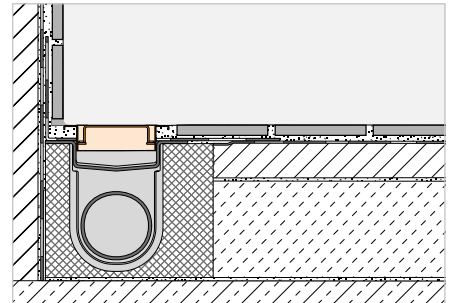
Please Note: If the drain & grate required exceeds 120 cm in length, please contact your Area Sales Consultant for alternative options.

Grate and frame combination

Schlüter®-KERDI-LINE-B



Schlüter-KERDI-LINE are profile frames made of brushed, polished or colour coated stainless steel with classic grate covers that match Schlüter-KERDI-LINE channel bodies. The profile frames are seamlessly height adjustable to accommodate covering materials in thicknesses from 3 to 25 mm. (Product data sheet 8.7)



Schlüter®-KERDI-LINE-B

SQUARE design, 19 mm frame, stainless steel V4A, brushed

L (cm)	H = 19 mm Art. No.	€ / Set	P (Set)
50	KLB 19 EB 50	245.75	10
60	KLB 19 EB 60	252.32	10
70	KLB 19 EB 70	258.70	10
80	KLB 19 EB 80	265.22	10
90	KLB 19 EB 90	271.65	10
100	KLB 19 EB 100	278.03	10
110	KLB 19 EB 110	284.84	10
120	KLB 19 EB 120	291.42	10

Schlüter®-KERDI-LINE-B

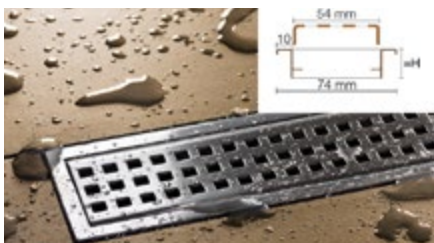
SQUARE design, 19 mm frame, polished stainless steel V4A

L (cm)	H = 19 mm Art. No.	€ / Set	P (Set)
50	KLB 19 EP 50	266.65	10
60	KLB 19 EP 60	273.76	10
70	KLB 19 EP 70	280.66	10
80	KLB 19 EP 80	287.77	10
90	KLB 19 EP 90	294.73	10
100	KLB 19 EP 100	301.66	10
110	KLB 19 EP 110	309.06	10
120	KLB 19 EP 120	316.18	10

Schlüter®-KERDI-LINE-B

SQUARE design, 19 mm frame, colour coated stainless steel V4A, matte graphite black

L (cm)	H = 19 mm Art. No.	€ / Set	P (Set)
50	KLB 19 MGS 50	319.48	10
60	KLB 19 MGS 60	328.01	10
70	KLB 19 MGS 70	336.30	10
80	KLB 19 MGS 80	344.80	10
90	KLB 19 MGS 90	353.14	10
100	KLB 19 MGS 100	361.44	10
110	KLB 19 MGS 110	370.29	10
120	KLB 19 MGS 120	378.85	10



i Polished stainless steel is the perfect choice for matching other chrome finishes in the bathroom.

Schlüter®-KERDI-LINE-B

SQUARE design, 30 mm frame, stainless steel V4A, brushed

L (cm)	H = 30 mm Art. No.	€ / Set	P (Set)
50	KLB 30 EB 50	253.38	10
60	KLB 30 EB 60	259.46	10
70	KLB 30 EB 70	266.00	10
80	KLB 30 EB 80	273.76	10
90	KLB 30 EB 90	279.24	10
100	KLB 30 EB 100	286.08	10
110	KLB 30 EB 110	292.77	10
120	KLB 30 EB 120	298.25	10

Note:

H = 19 mm for covering thicknesses 3 - 15 mm
H = 30 mm for covering thicknesses 13 - 25 mm

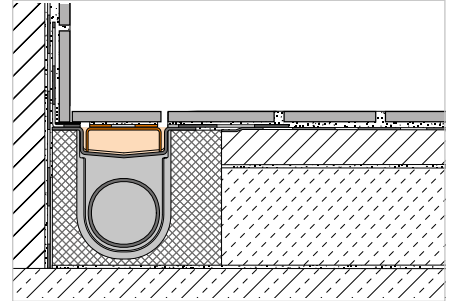


Covering support

Schlüter®-KERDI-LINE-D-G3



Schlüter-KERDI-LINE-D-G3 is a frameless channel cover to match Schlüter-KERDI-LINE-G3 channel bodies. The covering support features a fleece fabric for bonding with the tile adhesive and is universally suitable for all covering thicknesses.



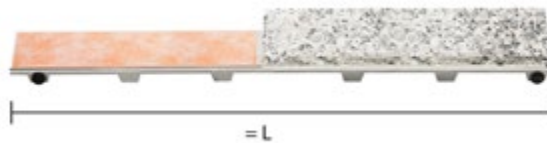
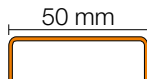
Note:

The length of the selected covering support must match the channel length.

Schlüter®-KERDI-LINE-D-G3

TILE design (frameless), stainless steel V4A

L (cm)	Art. No.	€ / U.	P (Unit)
49	KLD G3E 50	101.20	10
59	KLD G3E 60	106.93	10
69	KLD G3E 70	114.51	10
79	KLD G3E 80	121.33	10
89	KLD G3E 90	127.83	10
99	KLD G3E 100	135.81	10
109	KLD G3E 110	143.78	10
119	KLD G3E 120	150.29	10



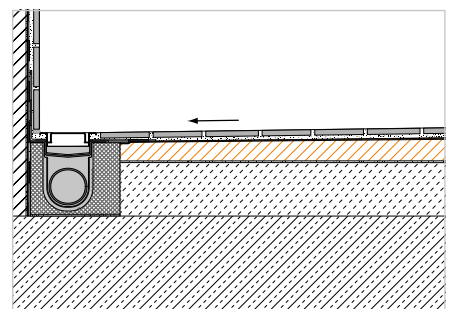
Sloped tray

Schlüter®-KERDI-SHOWER-LTS



Schlüter-KERDI-SHOWER-LTS is a sloped tray made of compression-resistant polystyrene with pre-adhered Schlüter-KERDI waterproofing. In showers, it creates a sufficient slope to the linear drainage Schlüter-KERDI-LINE positioned along walls. The sloped tray is installed on a level, flat, load bearing substrate and fitted to the drainage channel. In cases of vertical drainage, the sloped tray can also be installed directly on suitable substrates. Where necessary the trays can be cut to size with a utility knife, using the pre-marked cutting grooves on the underside of the tray.

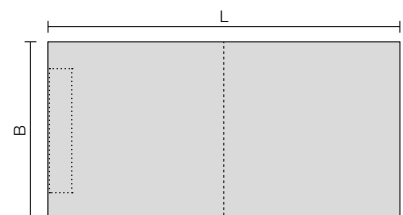
(Product data sheet 8.8)



Schlüter®-KERDI-SHOWER-LTS

sloped tray for linear drainage, for installation in wall transition areas, short side

L x B (cm)	H (mm)	H1 (mm)	Slope (%)	Art. No.	€ / U.	P (Unit)
200 x 136	39	13	1.25	KSLT 1365 / 2000 S*	294.21	10



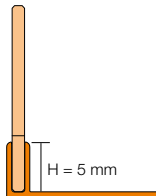
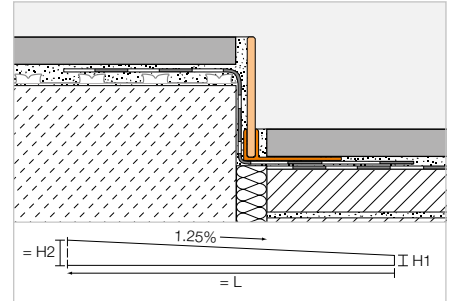


Triangular profile

Schlüter®-SHOWERPROFILE-SPS 180



Schlüter-SHOWERPROFILE-S is a triangular profile made of a brushed stainless steel flat pro-file with a 1.25% slope for covering the sloped edges of floor-level showers. The 2.5m stainless steel profile length is designed to be used exclusively with the KERDI-SHOWERLTS sloped tray (KSLT 1365/2000S) and therefore is designed to be cut down to a maximum of 2 m depending on tile thickness. A hard PVC U - s h a p e d channel supports the triangular stainless steel profile. The triangular profile can be shortened as necessary on the short and/or long side to accommodate height adjustment. The triangular profile can be used on the left or right side of the floor transition or below the tiles of a lateral wall.



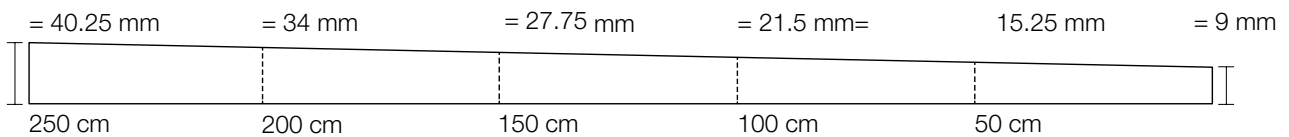
H = Profile Height
 SPS 180 is suitable for tile thicknesses of 6 - 12 mm
 Triangular profile 250 cm

Schlüter®-SHOWERPROFILE-SPS 180 ★

PVC triangular support profile,
 brushed stainless steel V2A

L = 2.00 m Art. No.	€ / U.	KV (Unit)
SPS 180	121.14	40

1.25 % = 2 mm / 10 cm →



Schlüter®-KERDI-DRAIN

Elegant point drainage

- ✓ Floor drain system for centre point drainage
- ✓ Secure connection to bonded waterproofing assemblies with Schlüter-KERDI
- ✓ Various grate and frame combinations
- ✓ Design grates made of brushed stainless steel
- ✓ Horizontal and vertical drainage
- ✓ Includes Schlüter-KERDI collar for connecting to the bonded waterproofing assembly



← NEED HELP SELECTING A DRAIN?
TRY OUR SELECTOR TOOL



Schlüter®-KERDI-DRAIN

Floor-level showers with point drainage

The Schlüter-KERDI-DRAIN point drainage channels wastewater to the building drainage system either horizontally or vertically. Schlüter-KERDI-SHOWER sloped trays are a quick way to create level and waterproof substrates for tile installation. Schlüter-SHOWERPROFILE is designed to conceal exposed edges in the shower and provides a reliable splashguard. Schlüter-DECO-SG keeps shower screens in their correct positions. Schlüter-KERDI and -DITRA ensure waterproofing in the wall and floor area. Abutting joints are sealed with Schlüter-KERDI-KEBA sealing tapes, using Schlüter-KERDI-COLL.

(Product data sheet 8.2)

Resilient and proven: Our classics



Design 1: CLASSIC



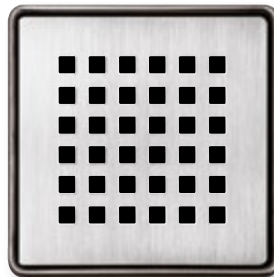
Design 1: CLASSIC



Design 1: CLASSIC ROUND



Design 2: TRAPEZOID

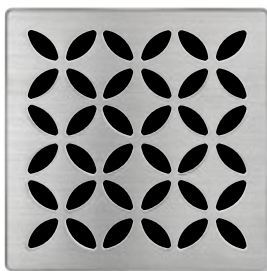


Design 3: SQUARE



Design 4: TILE

Schlüter®-KERDI-DRAIN-STYLE



Design 5: FLORAL



Design 6: CURVE



Design 7: PURE



Schlüter®-KERDI-DRAIN

Horizontal drain with odour trap

Point drainage in interior spaces

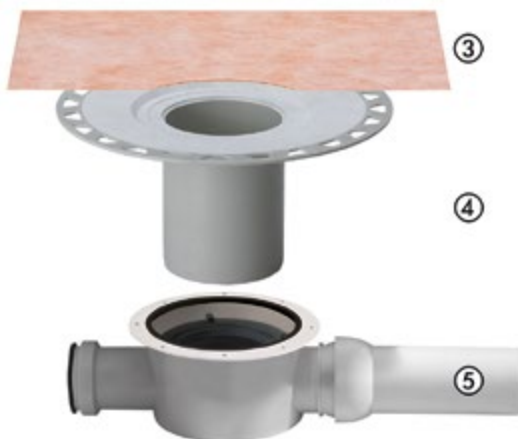


①

②

Grate and frame set

- ① stainless steel grate with frame
- ② height adjustment ring



③

④

⑤

Floor drain

- ③ Schlüter-KERDI collar
- ④ bonding flange
- ⑤ drain body in screed

Note:

Order floor drain set and grate/frame set separately.

Special notes on grates



KERDI-DRAIN-BASE only:

All grates feature an odour trap and gasket seal.



All grates have a frame extension (except for KD R10 ED4) and height adjustment option. These grates have no odour trap, as the odour trap is integrated into the floor drain set. All grates include a dirt trapping screen, except for KD R10 ED4, KD R15 ED1 S, KD R15 ED1 SB and KD R15 ED1 SR.

Grate design



Design 1
CLASSIC



Design 1
CLASSIC
ROUND



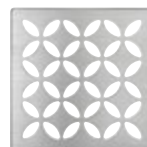
Design 2
TRAPEZOID



Design 3
SQUARE



Design 4
TILE



Design 5
FLORAL



Design 6
CURVE

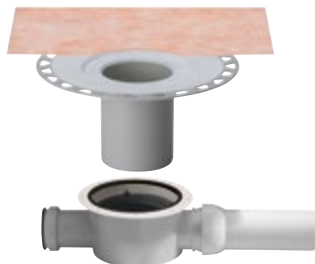


Design 7
PURE

DN 50

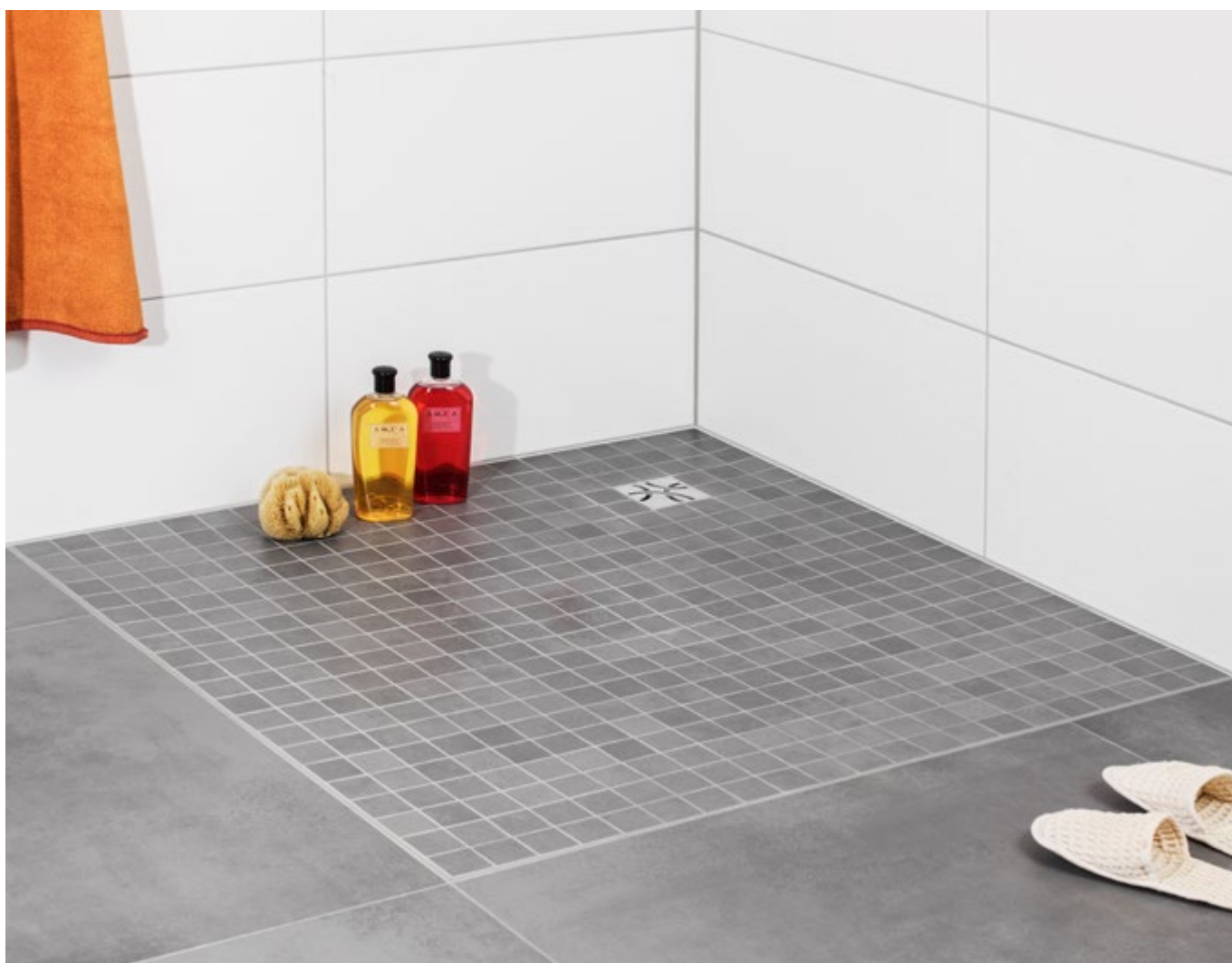
Drain capacity: 0.6 l/s, Min. assembly height: 97 mm

Floor drain



+	Grate and frame set	L x B (cm)	Art. No.	€ / U.
	Design 1, stainless steel with screws	10 x 10	KD R10 ED1 S	65.15
	Design 1, stainless steel V4A with screws	10 x 10	KD R10 V4A D1 S	81.43
	Design 1, polished stainless steel with screws	10 x 10	KD R10 EPD1 S	69.84
	Design 1, stainless steel	10 x 10	KD R10 ED1	65.15
	Design 1, stainless steel, bronze oil-rubbed finish, with screws	10 x 10	KD R10 EOB D1 S	92.53
	Design 1, stainless steel with screws	15 x 15	KD R15 ED1 S	88.84
	Design 1, stainless steel with screws (round)	15 x 15	KD R15 ED1 SR	88.84
	Design 2, brushed stainless steel	10 x 10	KD R10 ED2	118.47
	Design 3, brushed stainless steel	10 x 10	KD R10 ED3	118.47
	Design 4, covering support	10 x 10	KD R10 ED4	65.15
	Design 5, brushed stainless steel	10 x 10	KD IF 10 EB D5	115.98
	Design 6, brushed stainless steel	10 x 10	KD IF 10 EB D6	115.98
	Design 7, brushed stainless steel	10 x 10	KD IF 10 EB D7	118.59

Art. No.	€ / U.
KD BH 50 GV	111.07





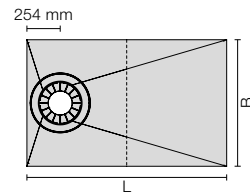
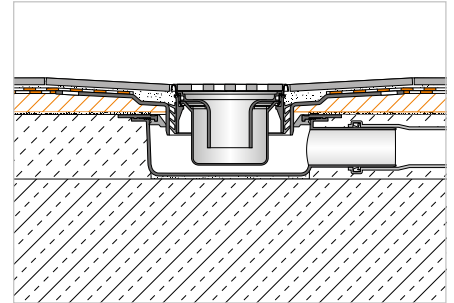
Sloped tray

Schlüter®-KERDI-SHOWER-TS



Schlüter-KERDI-SHOWER-TS is a sloped tray made of compression-resistant polystyrene with pre-adhered Schlüter-KERDI waterproofing. In showers, it creates a sufficient slope to an off-centre point drain. It is designed to accommodate the floor drains Schlüter-KERDI-DRAIN. The sloped tray is installed on a level, flat, load bearing substrate and fitted to a prepared KERDI-DRAIN drain. Where necessary the trays can be cut to size with a utility knife, using the pre-marked cutting grooves on the underside of the tray, taking care to maintain a uniform gradient.

(Product data sheet 8.6)



Schlüter®-KERDI-SHOWER-TS

sloped tray for off-centre drainage

L x B (cm)	H (mm)	Slope (%)	Art. No.	€ / U.	P (Unit)
152 x 96	28	1	KST 965 / 1525 S	194.05	10

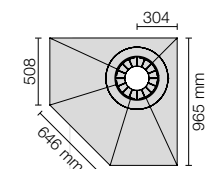
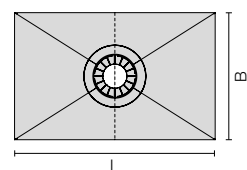
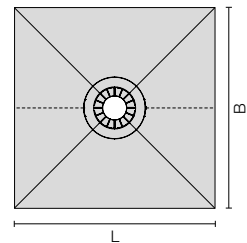
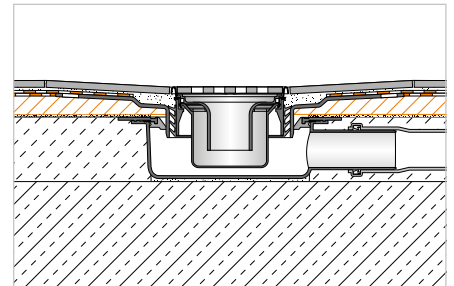
Sloped tray

Schlüter®-KERDI-SHOWER-TT



Schlüter-KERDI-SHOWER-TT is a sloped tray made of compression-resistant polystyrene with pre-adhered Schlüter-KERDI waterproofing. In showers, it creates a sufficient slope to a centre-installed or off-centre point drain. It is designed to accommodate the floor drains Schlüter-KERDI-DRAIN. The sloped tray is installed on a level, flat, load bearing substrate and fitted to a prepared KERDI-DRAIN drain. Where necessary the trays can be cut to size with a utility knife, using the pre-marked cutting grooves on the underside of the tray, taking care to maintain a uniform gradient.

(Product data sheet 8.6)



Schlüter®-KERDI-SHOWER-TT

sloped tray for centre drainage

L x B (cm)	H (mm)	Slope (%)	Art. No.	€ / U.	P (Unit)
91 x 91	22	2	KST 915 BF	137.71	10
101 x 101	23	2	KST 1015 BF	150.22	10
122 x 122	25	2	KST 1220 BF	194.05	10
96 x 81	23	2	KST 965 / 810 BF	219.09	10
122 x 91	25	2	KST 915 / 1220 BF	231.61	10

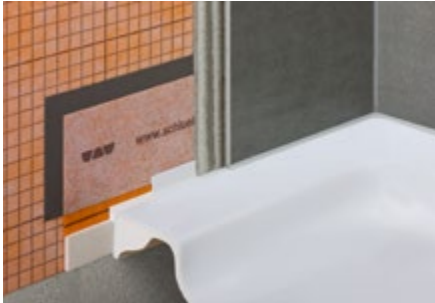
Schlüter®-KERDI-SHOWER-TT

sloped tray for off-centre drainage

L x B (cm)	H (mm)	Slope (%)	Art. No.	€ / U.	P (Unit)
96 x 96	26	2	KST 965 NA / BF	219.09	10

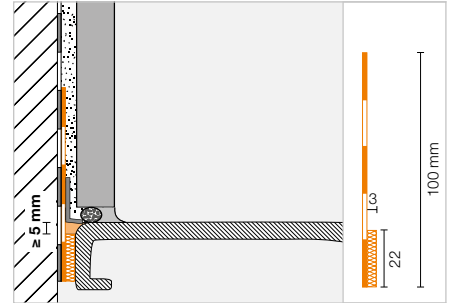
Waterproofing set

Schlüter®-KERDI-TS



Schlüter-KERDI-TS is a set for creating reliable waterproof connections of building components such as bathtubs and shower trays made of steel enamel, acrylic or mineral casting (according to DIN 18534-1) to the Schlüter-KERDI waterproofing system. It includes a sealing band made of polyethylene with double-sided fleece fabric and self-adhesive sound insulation strip as well as installation materials.

(Product data sheet 8.9)



Schlüter®-KERDI-TS

complete set for waterproof connection

L (m)	Art. No.	€ / Set	P (Set)
2	KE TS / 200	90.08	10
2.8	KE TS / 280	108.87	10
3.8	KE TS / 380	128.32	10



Complete set includes:

- 2 / 2.8 / 3.8 m sealing tape
- 290 ml Schlüter-KERDI-FIX installation adhesive
- 2 cleaning cloths
- 1 / 2 / 2 corner piece(s)

Schlüter®-KERDI-TSB

basic set for waterproof connection

L (m)	Art. No.	€ / Set	P (Set)
10	KE TSB / 1000	208.52	10



Basic set includes:

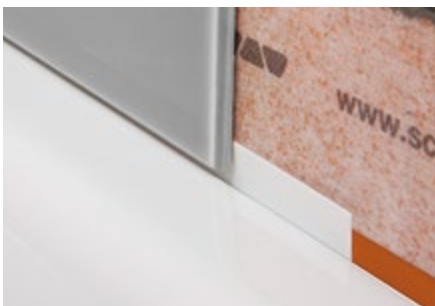
- 10 m sealing tape
- 8 cleaning cloths
- 6 corner pieces

INSTALLATION VIDEO →



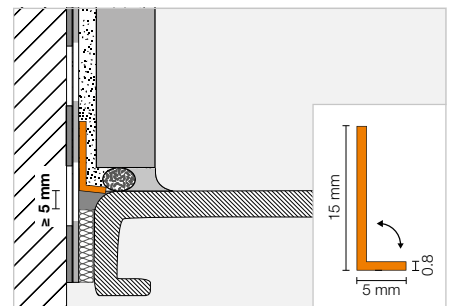
Cutting protection

Schlüter®-KERDI-CP



Schlüter-KERDI-CP is a cutting protection that can be shortened to any length and protects the connection seal when the silicone joint is renovated at a later time. The versatile folding profile can be installed directly in the adhesive bed or into freshly applied Schlüter-KERDI-FIX.

(Product data sheet 8.9)



Schlüter®-KERDI-CP

polypropylene cutting protection

L (m)	Art. No.	€ / U.	P (Unit)
2	KE CP / 200	10.31	10
2.8	KE CP / 280	14.26	10
3.8	KE CP / 380	18.81	10
10	KE CP / 1000	41.47	10





Waterproofing set

Schlüter®-KERDI-TS-ZC



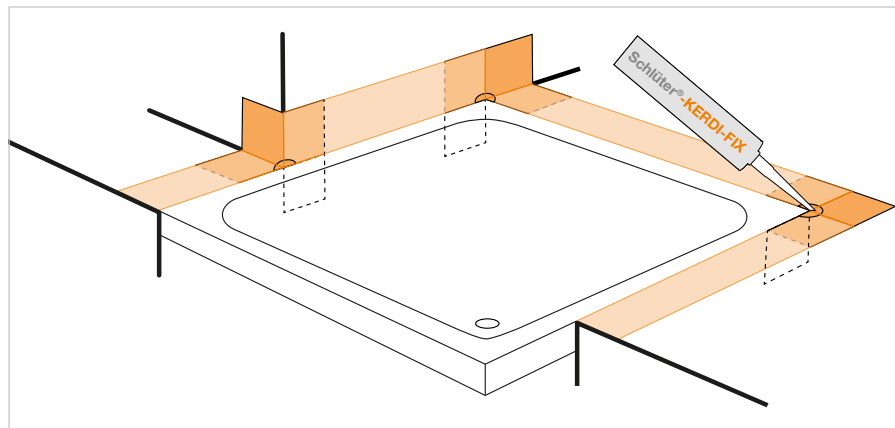
Schlüter-KERDI-TS-ZC is an expansion set for the reliable waterproof connection of building components such as bathtubs and shower trays for special installation situations (see drawing) in conjunction with the Schlüter-KERDI-TS waterproofing set. It consists of a waterproofing collar and a corner installation piece.

(Product data sheet 8.9)

Schlüter®-KERDI-TS-ZC

flexible corner seal

Art. No.	€ / Set	P (Set)
KE TS ZC	12.88	10



The set comprises the following components:

- 1 PE collar, fleece-laminated on both sides, 120 x 120 mm
- 1 corner piece

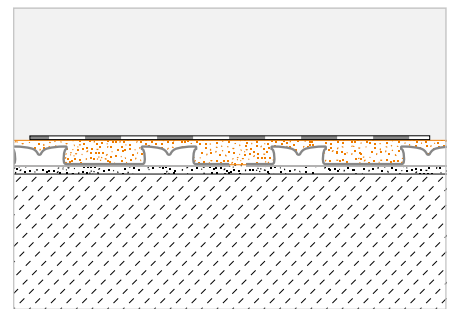
Sealing adhesive

Schlüter®-KERDI-COLL-L



Schlüter-KERDI-COLL-L is a two component sealant adhesive based on a solvent free acrylate dispersion and a reactive cementitious powder. It is suitable for adhering and sealing overlaps of Schlüter-KERDI membranes. In addition, Schlüter-KERDI-COLL-L can be used to tightly adhere the sealing band Schlüter-KERDI-KEBA on bonded waterproofing assemblies made with suitable Schlüter-Systems products as well as Schlüter-BARA edging profiles.

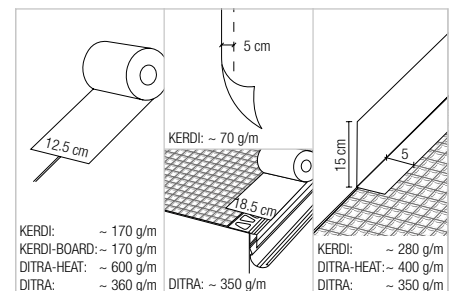
(Product data sheet 8.4)



Schlüter®-KERDI-COLL-L

two-component sealing adhesive

Weight (kg)	Art. No.	€ / kg	PL (Unit)
1.85	KERDI-COLL-L 185	14.47	110
4.25	KERDI-COLL-L	11.92	75



Schlüter®-KERDI

Bonded waterproofing you can count on

Schlüter-KERDI has been a proven bonded waterproofing solution for tile and natural stone coverings for over 30 years. Together with our waterproofing membranes, sealing bands, pre-formed parts and the KERDI-COLL-L sealing adhesive, our products form a complete system for permanently safe and dependable bonded waterproofing. Now available in the three membrane widths 100 cm – 150 cm – 200 cm.

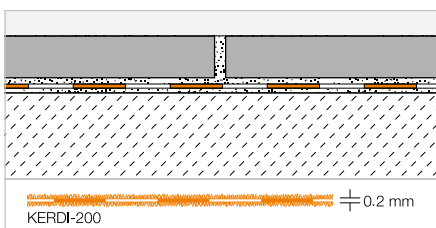


Bonded waterproofing kits

Schlüter®-KERDI-200 Kits



We've made it easy to waterproof walls with our Schlüter-KERDI kits. With options for different m² areas, the kits include our waterproofing membrane, Schlüter-KERDI-200, as well as sealing adhesive, Schlüter-KERDI-COLL-L, and sealing band Schlüter-KERDI-KEBA to ensure that any joints and wall to floor connections are fully waterproof.



Schlüter®-KERDI-200 Kits

wall waterproofing kits for common room sizes

Area (m ²)	Art No.	€ / Set
5	WWPKS	194.51
10	WWPKM	318.30
15	WWPKL	509.80



Set components:

- ① waterproofing membrane
- ② sealing adhesive
- ③ sealing band
- ④ pipe collars

Tool tip:

Schlüter-TROWEL, 4 x 4 notching, see page 140.

INSTALLATION VIDEO →





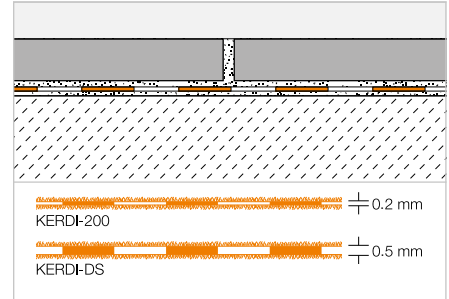
Bonded waterproofing

Schlüter®-KERDI



Schlüter-KERDI is a polyethylene waterproofing membrane with an anchoring fleece laminated on both sides. It is suitable for waterproofing in conjunction with tiled surfaces on walls and floors. The high water vapour diffusion resistance of Schlüter-KERDI-DS makes it suitable as a vapour barrier in bonded floor assemblies with tile coverings.

(Product data sheet 8.1)



Schlüter®-KERDI 200

polyethylene rolls

L (m)	m ²	width = 1.00 m Art. No.	€ / m ²	PL (Roll)
5	5	KERDI 200 / 5M	23.93	75
10	10	KERDI 200 / 10M	21.60	50
30	30	KERDI 200	19.66	20
width = 1.50 m				
20	30	KERDI 200 150 / 20M	19.66	20
width = 2.00 m				
15	30	KERDI 200 200 / 15M	19.66	20

Schlüter®-KERDI-DS

polyethylene rolls, vapour barrier

L (m)	width = 1.00 m Art. No.	€ / m ²	PL (Roll)
30	KERDI-DS	22.70	25

Tool tip:

Schlüter-TROWEL, 4 x 4 notching, see page 142.

INSTALLATION VIDEO →



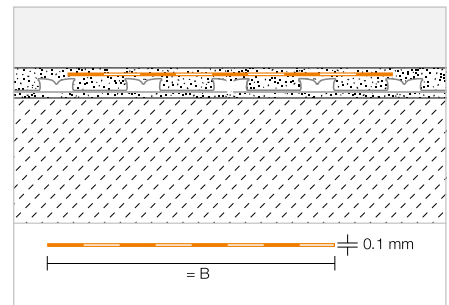
Sealing tape

Schlüter®-KERDI-KEBA



Schlüter-KERDI-KEBA is a sealing band to seal mat connections and wall to floor connections.

(Product data sheet 8.1)



Schlüter®-KERDI-KEBA

polyethylene rolls

B (mm)	roll = 30 m Art. No.	€ / m	PL (Roll)
85	KEBA 100 / 85	2.68	336
125	KEBA 100 / 125	4.02	210
150	KEBA 100 / 150	4.25	210
185	KEBA 100 / 185	5.51	168
250	KEBA 100 / 250	7.13	126

Schlüter®-KERDI-KEBA/5M

polyethylene rolls

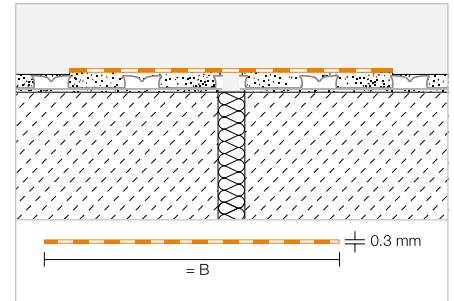
B (mm)	roll = 5 m Art. No.	€ / m	P (Roll)
85	KEBA 100 / 85 / 5M	3.77	10
125	KEBA 100 / 125 / 5M	5.02	10
150	KEBA 100 / 150 / 5M	5.39	10
185	KEBA 100 / 185 / 5M	6.56	10
250	KEBA 100 / 250 / 5M	8.23	10

Sealing tape

Schlüter®-KERDI-FLEX



Schlüter-KERDI-FLEX is a waterproofing band for sealing movement joints.
(Product data sheet 8.1)



Schlüter®-KERDI-FLEX

polyethylene rolls

B (mm)	roll = 30 m Art. No.	€ / m	PL (Roll)
125	FLEX 125 / 30	6.84	210
250	FLEX 250 / 30	12.45	126

Schlüter®-KERDI-FLEX/5M

polyethylene rolls

B (mm)	roll = 5 m Art. No.	€ / m	P (Roll)
125	FLEX 125 / 5M	8.91	10
250	FLEX 250 / 5M	14.42	10

Corner seal

Schlüter®-KERDI-KERECK-F



Schlüter-KERDI-KERECK-F are completely seam sealed, prefabricated parts to create internal and external corners.
(Product data sheet 8.1)



Schlüter®-KERDI-KERECK-F/A

90° external corner, prefabricated

Thickness (mm)	Package = 2 units Art. No.	€ / Package	P (Package)
0.1	KERECK / FA2	22.59	10
	Package = 10 units		
0.1	KERECK / FA10	95.31	10
	Package = 50 units		
★ 0.1	KERECK / FA50	420.25	10

Schlüter®-KERDI-KERECK-F/I

90° internal corner, prefabricated

Thickness (mm)	Package = 2 units Art. No.	€ / Package	P (Package)
0.1	KERECK / FI2	19.30	10
	Package = 10 units		
0.1	KERECK / FI10	79.16	10
	Package = 50 units		
★ 0.1	KERECK / FI50	369.51	10

Schlüter®-KERDI-KERECK-F/I 135°

135° internal corner, prefabricated

Thickness (mm)	Package = 2 units Art. No.	€ / Package	P (Package)
0.1	KERECK 135 FI2	22.88	10



Waterproofing collar

Schlüter®-KERDI-MV

Schlüter-KERDI-MV are prefabricated collars for DIN 18534-compliant waterproofing of pipe penetrations. Thanks to their fleece-free inner zone, the collars are suitable for use with multiple pipe diameters (see table).

(Product data sheet 8.1)

Schlüter®-KERDI-MV

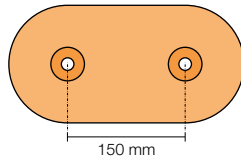
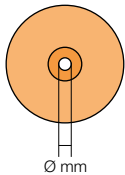
collar with fleece-free inner zone (includes: 1 unit)

Ø mm	For pipe diameter (mm)	Art. No.	€ / U.	P (Unit)
9	12 – 30	KMV 9	10.01	10
15	22 – 40	KMV 15	10.01	10
21	30 – 60	KMV 21	11.14	10
35	45 – 80	KMV 35	11.89	10
65	75 – 140	KMV 65	15.02	10
15	22 – 40	KMV 15 D	17.97	10

Schlüter®-KERDI-MV

collar with fleece-free inner zone (includes: 10 units)

Ø mm	For pipe diameter (mm)	Art. No.	€ / Package	P (Package)
15	22 – 40	KMV 15/10	80.43	10
15	22 – 40	KMV 15 D/10	147.72	10



* centre line 150 mm

INSTALLATION VIDEO →



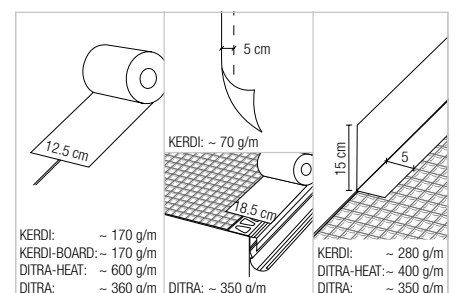
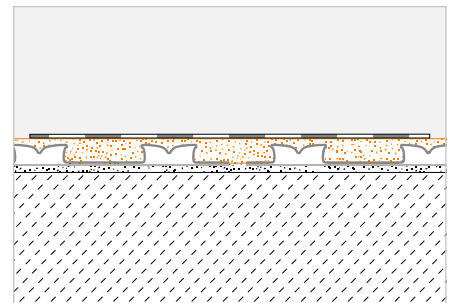
Sealing adhesive

Schlüter®-KERDI-COLL-L



Schlüter-KERDI-COLL-L is a two component sealant adhesive based on a solvent free acrylate dispersion and a reactive cementitious powder. It is suitable for adhering and sealing overlaps of Schlüter-KERDI membranes. In addition, Schlüter-KERDI-COLL-L can be used to tightly adhere the sealing band Schlüter-KERDI-KEBA on bonded waterproofing assemblies made with suitable Schlüter-Systems products as well as on Schlüter-BARA edging profiles.

(Product data sheet 8.4)



Installation adhesive

Schlüter®-KERDI-FIX



Schlüter-KERDI-FIX is an MS polymer based elastic adhesive. It is suited for adjoining profiles and Schlüter-KERDI-BOARD as well as sealing the abutments and joint areas of Schlüter-KERDI waterproofing membrane sections.

(Product data sheet 8.3)



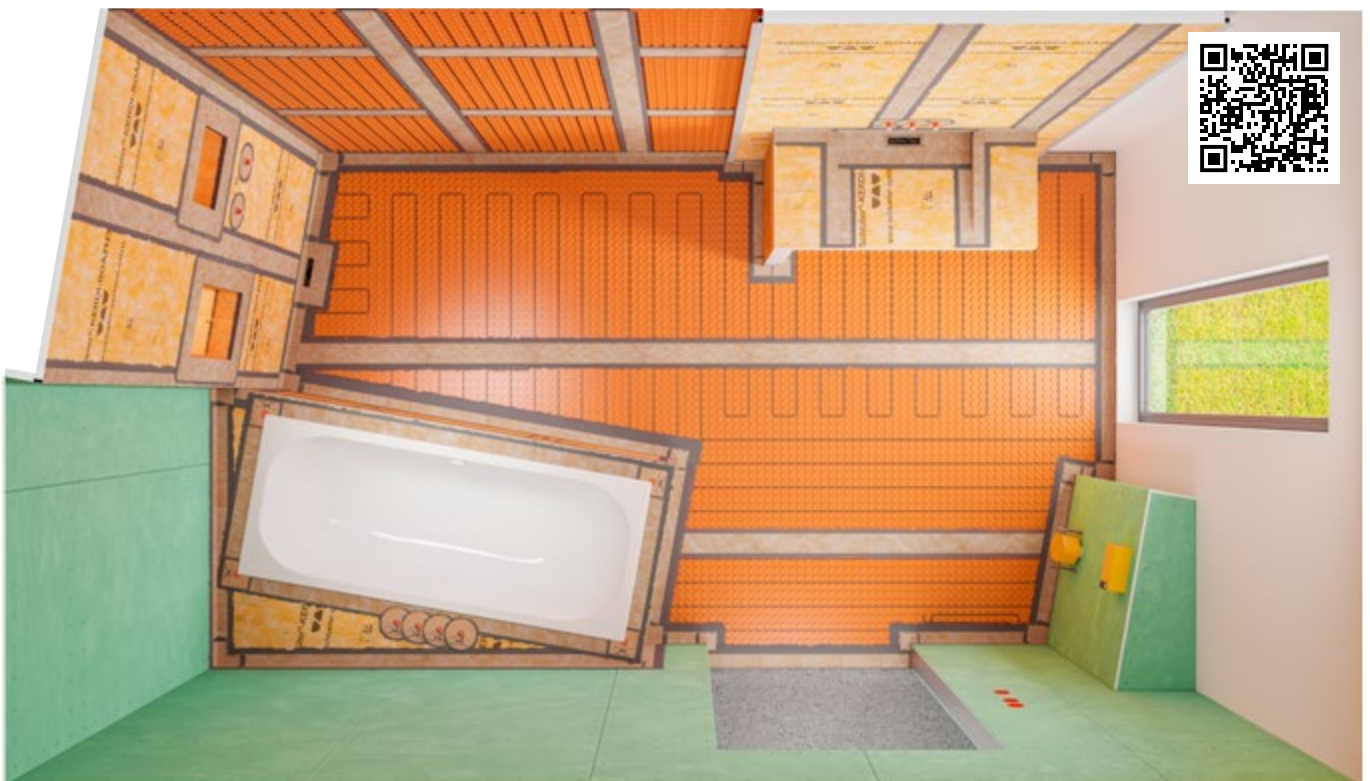
Schlüter®-KERDI-FIX

MS polymer adhesive

Fill volume (ml)	Art. No.	€ / U.	P (Unit)
290	KERDIFIX / BW	23.85	12
290	KERDIFIX / G	23.85	12



OUR SYSTEM
IN ACTION





Schlüter®-KERDI-BOARD

Universal tile underlayment

The substrates encountered in many new construction and renovation projects are not suitable for tile coverings, particularly in high-moisture areas. They frequently require extensive additional work and waterproofing measures. Schlüter-KERDI-BOARD makes it easy to create a substrate that is ready for tile installation – whether on masonry, wood or metal stud structures or mixed/existing substrates in renovation projects. Moreover, the material is well-suited for building stand-alone partition walls, shelves or panels.

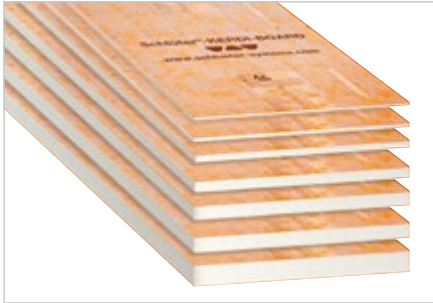
- ✓ Bonded waterproofing system with official abP technical approval
- ✓ European approval as a bonded waterproofing system with CE mark
- ✓ Waterproof and temperature-resistant
- ✓ Vapour barrier
- ✓ Thermally-insulating
- ✓ Low in emissions
- ✓ Free of cement/fibreglass
- ✓ Level, dimensionally stable and non-bending
- ✓ Dust-free and easy to cut (utility knife)
- ✓ Imprinted gridlines
- ✓ Fleece surface for bonding in thin-bed tile adhesive
- ✓ Lightweight, easy to transport
- ✓ Universally suitable for all substrates
- ✓ Pleasant feel



← WHAT YOU CAN BUILD WITH
OUR BACKERBOARD

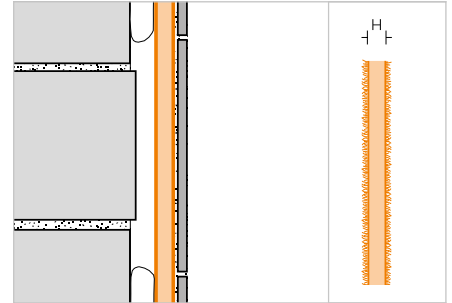
Substrate panel

Schlüter®-KERDI-BOARD



Schlüter-KERDI-BOARD is a universal substrate for the installation of tiles on walls of any kind and can also be used in bonded waterproofing assemblies.

(Product data sheet 12.1)



Schlüter®-KERDI-BOARD

substrate panel

H (mm)	62.5 x 260 cm = 1.62 m ² Art. No.	€ / m ²	PL (Unit)
5	KB 5 625 2600	39.08	140
9	KB 9 625 2600	40.98	80
12.5	KB 12 625 2600	42.93	60
19	KB 19 625 2600	44.81	42
28	KB 28 625 2600	49.82	28
38	KB 38 625 2600	55.94	21
50	KB 50 625 2600	62.83	15

Schlüter®-KERDI-BOARD

mixed pallets

composition	L = 2.60 m Art. No.	€ / U.
20 x 5 mm, 20 x 9 mm, 20 x 12.5 mm, 12 x 19 mm	KB 2600 MP1	4856.32
8 x 28 mm, 6 x 38 mm, 6 x 50 mm	KB 2600 MP2	1800.01
10 x 5 mm, 10 x 9 mm, 10 x 12.5 mm, 6 x 19 mm, 4 x 28 mm, 3 x 38 mm, 3 x 50 mm	KB 2600 MP3	3328.16

Schlüter®-KERDI-BOARD

substrate panel

H (mm)	62.5 x 125 cm = 0.78 m ² Art. No.	€ / m ²	PL (Unit)
5	KB 5 625 1250	39.08	140
9	KB 9 625 1250	40.98	80
12.5	KB 12 625 1250	42.93	60
19	KB 19 625 1250	44.81	42
28	KB 28 625 1250	49.82	28
38	KB 38 625 1250	55.94	21
50	KB 50 625 1250	62.83	15

Schlüter®-KERDI-BOARD

mixed pallets

composition	L = 1.25 m Art. No.	€ / U.
20 x 5 mm, 20 x 9 mm, 20 x 12.5 mm, 12 x 19 mm	KB 1250 MP1	2338.23
8 x 28 mm, 6 x 38 mm, 6 x 50 mm	KB 1250 MP2	866.66
10 x 5 mm, 10 x 9 mm, 10 x 12.5 mm, 6 x 19 mm, 4 x 28 mm, 3 x 38 mm, 3 x 50 mm	KB 1250 MP3	1602.47

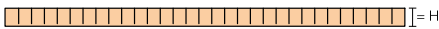
Dimensions and packaging data of Schlüter®-KERDI-BOARD

Panel thickness	5 mm	9 mm	12.5 mm	19 mm	28 mm	38 mm	50 mm
Packaging unit (PU)	10 panels	10 panels	10 panels	6 panels	4 panels	3 panels	3 panels
Pallet content	14 PU (140 panels)	8 PU (80 panels)	6 PU (60 panels)	7 PU (42 panels)	7 PU (28 panels)	7 PU (21 panels)	5 PU (15 panels)
Format 125 x 62.5 cm							
m ² / pallet	109.20	62.40	46.80	32.76	21.84	16.38	11.70
kg / panel	0.843	0.961	1.055	1.167	1.399	1.657	1.966
Format 260 x 62.5 cm							
m ² / pallet	226.80	129.60	97.20	68.04	45.36	34.02	24.30
kg / panel	1.755	1.998	2.194	2.428	2.911	3.447	4.090



Substrate panel

Schlüter®-KERDI-BOARD-V



Schlüter-KERDI-BOARD-V is a substrate and construction panel with vertical grooves for creating curved substrates for tile installation.
(Product data sheet 12.1)

Schlüter®-KERDI-BOARD-V

substrate panel with vertical grooves

H (mm)	62.5 x 260 cm = 1.62 m ² Art. No.	€ / m ²	PL (Unit)
9	KB 9 625 2600 V	52.02	80
12.5	KB 12 625 2600 V	53.95	60
19	KB 19 625 2600 V	55.86	42
28	KB 28 625 2600 V	60.83	28
38	KB 38 625 2600 V	66.96	21
50	KB 50 625 2600 V	73.87	15

Angle component

Schlüter®-KERDI-BOARD-E



Schlüter-KERDI-BOARD-E is an angled component for creating corner formations and pipe panelling.
(Product data sheet 12.1)

Schlüter®-KERDI-BOARD-E

angle component, 260 x 62.5 cm

H (mm)	31 x 31 cm Art. No.	€ / U.	PL (Unit)
12.5	KB 12 625 2600 E	94.57	60
19	KB 19 625 2600 E	97.64	42
28	KB 28 625 2600 E	105.74	28

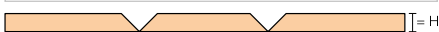
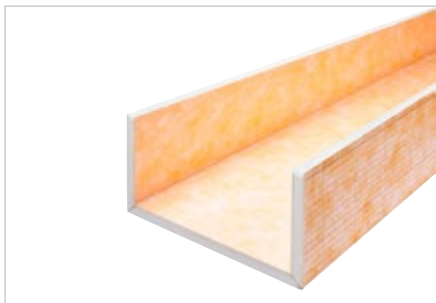
Schlüter®-KERDI-BOARD-E/-U

combined package with precut L and U shaped Schlüter-KERDI-BOARD panels to conceal pipes or electrical conduit

composition	L = 2.60 m Art. No.	€ / U.
2 x KB 19 625 2600 E 2 x KB 19 625 2600 U 20 2 x KB 19 625 2600 U 30	KB RK 2600 MP1	685.37

Pipe cover

Schlüter®-KERDI-BOARD-U



Schlüter-KERDI-BOARD-U is a U shaped component for creating pipe panelling.
(Product data sheet 12.1)

Schlüter®-KERDI-BOARD-U

U shaped component, 260 x 62.5 cm

H (mm)	21 x 20 x 21 cm Art. No.	€ / U.	PL (Unit)
19	KB 19 625 2600 U 20	122.55	42

Schlüter®-KERDI-BOARD-U

U shaped component, 260 x 62.5 cm

H (mm)	16 x 30 x 16 cm Art. No.	€ / U.	PL (Unit)
19	KB 19 625 2600 U 30	122.55	42

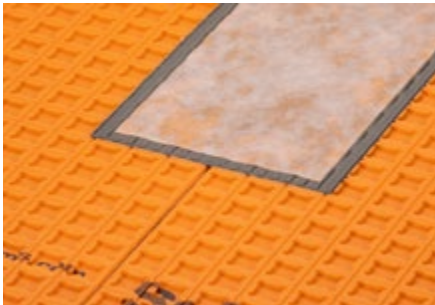
Schlüter®-KERDI-BOARD-E/-U

combined package with precut L and U shaped Schlüter-KERDI-BOARD panels to conceal pipes or electrical conduit

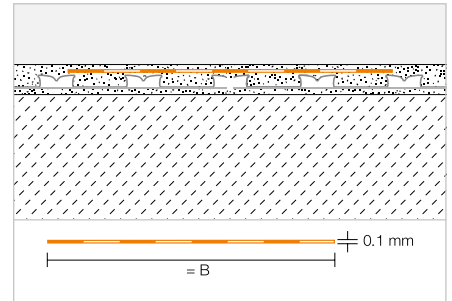
composition	L = 2.60 m Art. No.	€ / U.
2 x KB 19 625 2600 E 2 x KB 19 625 2600 U 20 2 x KB 19 625 2600 U 30	KB RK 2600 MP1	685.37

Sealing tape

Schlüter®-KERDI-KEBA



Schlüter-KERDI-KEBA is a sealing band to seal mat connections and wall to floor connections.
(Product data sheet 8.1)



Schlüter®-KERDI-KEBA

polyethylene rolls

B (mm)	roll = 30 m Art. No.	€ / m	PL (Roll)
85	KEBA 100 / 85	2.68	336
125	KEBA 100 / 125	4.02	210
150	KEBA 100 / 150	4.25	210
185	KEBA 100 / 185	5.51	168
250	KEBA 100 / 250	7.13	126

Schlüter®-KERDI-KEBA/5M

polyethylene rolls

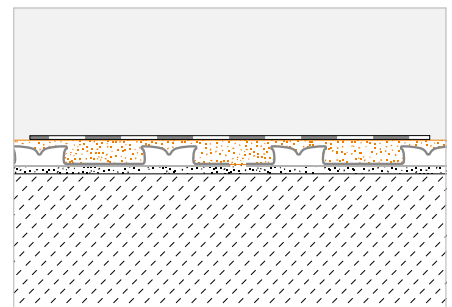
B (mm)	roll = 5 m Art. No.	€ / m	P (Roll)
85	KEBA 100 / 85 / 5M	3.77	10
125	KEBA 100 / 125 / 5M	5.02	10
150	KEBA 100 / 150 / 5M	5.39	10
185	KEBA 100 / 185 / 5M	6.56	10
250	KEBA 100 / 250 / 5M	8.23	10

Sealing adhesive

Schlüter®-KERDI-COLL-L



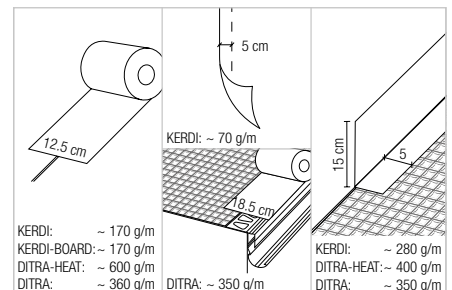
Schlüter-KERDI-COLL-L is a two component sealant adhesive based on a solvent free acrylate dispersion and a reactive cementitious powder. It is suitable for adhering and sealing overlaps of Schlüter-KERDI membranes. In addition, Schlüter-KERDI-COLL-L can be used to tightly adhere the sealing band Schlüter-KERDI-KEBA on bonded waterproofing assemblies made with suitable Schlüter-Systems products as well as on Schlüter-BARA edging profiles.
(Product data sheet 8.4)



Schlüter®-KERDI-COLL-L

two-component sealing adhesive

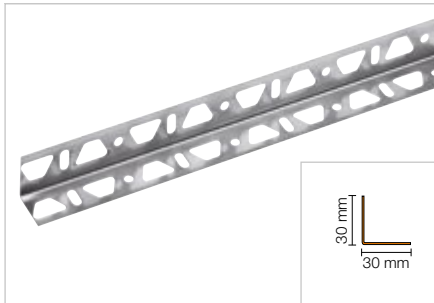
Weight (kg)	Art. No.	€ / kg	PL (Unit)
1.85	KERDI-COLL-L 185	14.47	110
4.25	KERDI-COLL-L	11.92	75





Angle profile

Schlüter®-KERDI-BOARD-ZW



Schlüter-KERDI-BOARD-ZW is a 30 x 30 mm stainless steel angle profile with two trapezoid perforated anchoring legs. It is used for connecting and stabilising structures made of Schlüter-KERDI-BOARD panels. It is either attached with screws or thin-bed adhesive. (Product data sheet 12.1)

Schlüter®-KERDI-BOARD-ZW

stainless steel angle profile, 30 x 30 mm

L (cm)	Art. No.	€ / U.	KV (Unit)
15	KB ZW 30 E/15	1.68	120

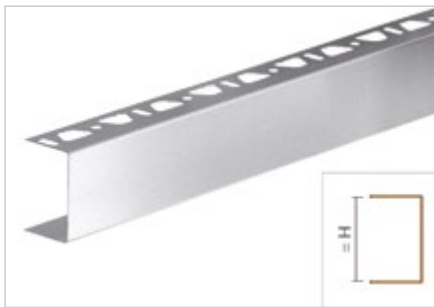
Schlüter®-KERDI-BOARD-ZW

stainless steel angle profile, 30 x 30 mm

L (cm)	Art. No.	€ / m	KV (Unit)
250	KB ZW 30 E	10.00	120

U-shaped profile | corner | joint covering piece

Schlüter®-KERDI-BOARD-ZC



Schlüter-KERDI-BOARD-ZC is a U-shaped profile of brushed stainless steel with trapezoid perforations in one anchoring leg. It is particularly suited for the connection of kitchen work tops, vanities, and similar surfaces. (Product data sheet 12.1)

Schlüter®-KERDI-BOARD-ZC

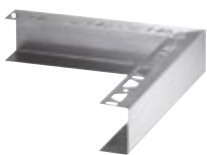
U-shaped profile with trapezoid perforations on one side, brushed stainless steel V2A

H (mm)	L = 2.50 m Art. No.	€ / m	KV (Unit)
38	KB ZC 38 EB	23.71	40
50	KB ZC 50 EB	25.91	40

Schlüter®-KERDI-BOARD-ZC/E

corner piece with trapezoid perforations on one side, brushed stainless steel V2A

H (mm)	Art. No.	€ / U.	P (Unit)
38	E/KB ZC 38 EB	21.34	10
50	E/KB ZC 50 EB	21.34	10



KERDI-BOARD-ZC/E

Schlüter®-KERDI-BOARD-Z/V

joint covering piece, brushed stainless steel V2A

H (mm)	Art. No.	€ / U.	P (Unit)
38	V/KB Z 38 EB	6.75	50
50	V/KB Z 50 EB	6.75	50



KERDI-BOARD-Z/V

Schlüter®-KERDI-BOARD-ZI/V

internal joint covering piece, brushed stainless steel V2A

H (mm)	Art. No.	€ / U.	P (Unit)
38	V/KB ZI 38 E	4.17	50
50	V/KB ZI 50 E	4.17	50



KERDI-BOARD-ZI/V

U-shaped profile | corner | joint covering piece

Schlüter®-KERDI-BOARD-ZA



Schlüter-KERDI-BOARD-ZA is a U-shaped profile of brushed stainless steel with trapezoid perforations in both anchoring legs. It is particularly suited for visible edges of partition walls and shelves.

(Product data sheet 12.1)

Schlüter®-KERDI-BOARD-ZA

U-shaped profile with trapezoid perforations on both sides, brushed stainless steel V2A

H (mm)	L = 2.50 m Art. No.	€ / m	KV (Unit)
19	KB ZA 19 EB	20.12	40
28	KB ZA 28 EB	21.73	40
38	KB ZA 38 EB	23.71	40
50	KB ZA 50 EB	25.91	40

Schlüter®-KERDI-BOARD-ZA/E

U shaped corner piece with trapezoid perforations on both sides, brushed stainless steel V2A

H (mm)	Art. No.	€ / U.	P (Unit)
38	E/KB ZA 38 EB	21.34	10
50	E/KB ZA 50 EB	21.34	10



KERDI-BOARD-ZA/E

Schlüter®-KERDI-BOARD-Z/V

joint covering piece, brushed stainless steel V2A

H (mm)	Art. No.	€ / U.	P (Unit)
19	V/KB Z 19 EB	6.75	50
28	V/KB Z 28 EB	6.75	50
38	V/KB Z 38 EB	6.75	50
50	V/KB Z 50 EB	6.75	50



KERDI-BOARD-Z/V

Schlüter®-KERDI-BOARD-ZI/V

internal joint covering piece, brushed stainless steel V2A

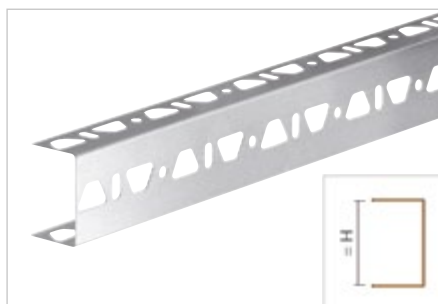
H (mm)	Art. No.	€ / U.	P (Unit)
19	V/KB ZI 19 E	4.17	50
28	V/KB ZI 28 E	4.17	50
38	V/KB ZI 38 E	4.17	50
50	V/KB ZI 50 E	4.17	50



KERDI-BOARD-ZI/V

U-shaped profile

Schlüter®-KERDI-BOARD-ZB



Schlüter-KERDI-BOARD-ZB is a U-shaped profile of stainless steel with trapezoid perforations in three anchoring legs. It is used for connecting and stabilising structures made of Schlüter-KERDI-BOARD panels.

(Product data sheet 12.1)

Schlüter®-KERDI-BOARD-ZB

U-shaped profile with trapezoid perforations on three sides, stainless steel V2A

H (mm)	L = 2.50 m Art. No.	€ / m	KV (Unit)
19	KB ZB 19 E	17.33	40
28	KB ZB 28 E	18.73	40
38	KB ZB 38 E	20.25	40
50	KB ZB 50 E	22.24	40



Anchor

Schlüter®-KERDI-BOARD-ZSD



Schlüter-KERDI-BOARD-ZSD are galvanized steel or stainless steel anchors for the additional mechanical fastening of Schlüter-KERDI-BOARD to the substrate.
(Product data sheet 12.1)

Schlüter®-KERDI-BOARD-ZSD

anchor stainless steel

L (cm)	Art. No.	€ / Package	P (Package)
9	KB ZSD 90 E	28.91	10
11	KB ZSD 110 E	33.36	10

Package = 25 units

Schlüter®-KERDI-BOARD-ZSD

anchor galvanised steel

L (cm)	Art. No.	€ / Package	P (Package)
9	KB ZSD 90 Z	15.51	10
11	KB ZSD 110 Z	17.87	10

Package = 25 units

Washer

Schlüter®-KERDI-BOARD-ZT



Schlüter-KERDI-BOARD-ZT are galvanized steel or stainless steel washers for the attachment of Schlüter-KERDI-BOARD to stud frame structures.
(Product data sheet 12.1)

Schlüter®-KERDI-BOARD-ZT

washer, stainless steel, Ø = 36 mm

Art. No.	€ / Package	P (Package)
KB ZT 36 E	63.61	10

Package = 100 units

Schlüter®-KERDI-BOARD-ZT

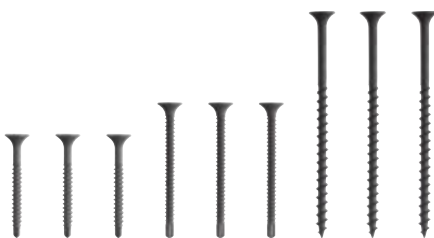
washer, galvanised Ø = 36 mm

Art. No.	€ / Package	P (Package)
KB ZT 36 Z	22.67	10

Package = 100 units

Drywall screws

Schlüter®-KERDI-BOARD-ZS



Schlüter-KERDI-BOARD-ZS are installation screws for the attachment of Schlüter-KERDI-BOARD to stud frame structures.
(Product data sheet 12.1)

Schlüter®-KERDI-BOARD-ZS

35 mm fine thread self tapping screw

Art. No.	€ / Package	P (Package)
KB ZS 35 FB	7.01	10

Package = 200 units

Schlüter®-KERDI-BOARD-ZS

55 mm fine thread self tapping screw

Art. No.	€ / Package	P (Package)
KB ZS 55 FB	4.34	10

Package = 100 units

Schlüter®-KERDI-BOARD-ZS

75 mm coarse thread screw

Art. No.	€ / Package	P (Package)
KB ZS 75 G	6.43	10

Package = 100 units

Adhesive tape

Schlüter®-KERDI-BOARD-ZDK



Schlüter-KERDI-BOARD-ZDK is a double sided adhesive tape for the attachment of Schlüter-KERDI-BOARD in joint areas.
(Product data sheet 12.1)

Schlüter®-KERDI-BOARD-ZDK

double sided adhesive tape

B (mm)	L = 10 m Art. No.	€ / U.	P (Unit)
12	KB ZDK 12/10M	9.57	10
19	KB ZDK 19/10M	14.85	10
30	KB ZDK 30/10M	23.34	10

Reinforcement

Schlüter®-KERDI-BOARD-ZSA



Schlüter-KERDI-BOARD-ZSA is a self adhesive tape for joint reinforcement where suitable trowel-applied covering materials or plaster is used over Schlüter-KERDI-BOARD.
(Product data sheet 12.1)

Schlüter®-KERDI-BOARD-ZSA

joint reinforcement

100 mm x 45 m Art. No.	€ / U.	P (Unit)
KB ZSA 100/45M	17.05	10

Flat profile

Schlüter®-KERDI-BOARD-ZFP



Schlüter-KERDI-BOARD-ZFP is a flat plastic profile that is adhered behind the U-shaped profile to ensure strong reinforcement for attaching fittings; e.g. door hardware.
(Product data sheet 12.1)

Schlüter®-KERDI-BOARD-ZFP

flat plastic profile

35 mm x 2.50 m Art. No.	€ / m	P (Unit)
KB ZFP 35	4.39	10



Niche set

Schlüter®-KERDI-BOARD-N

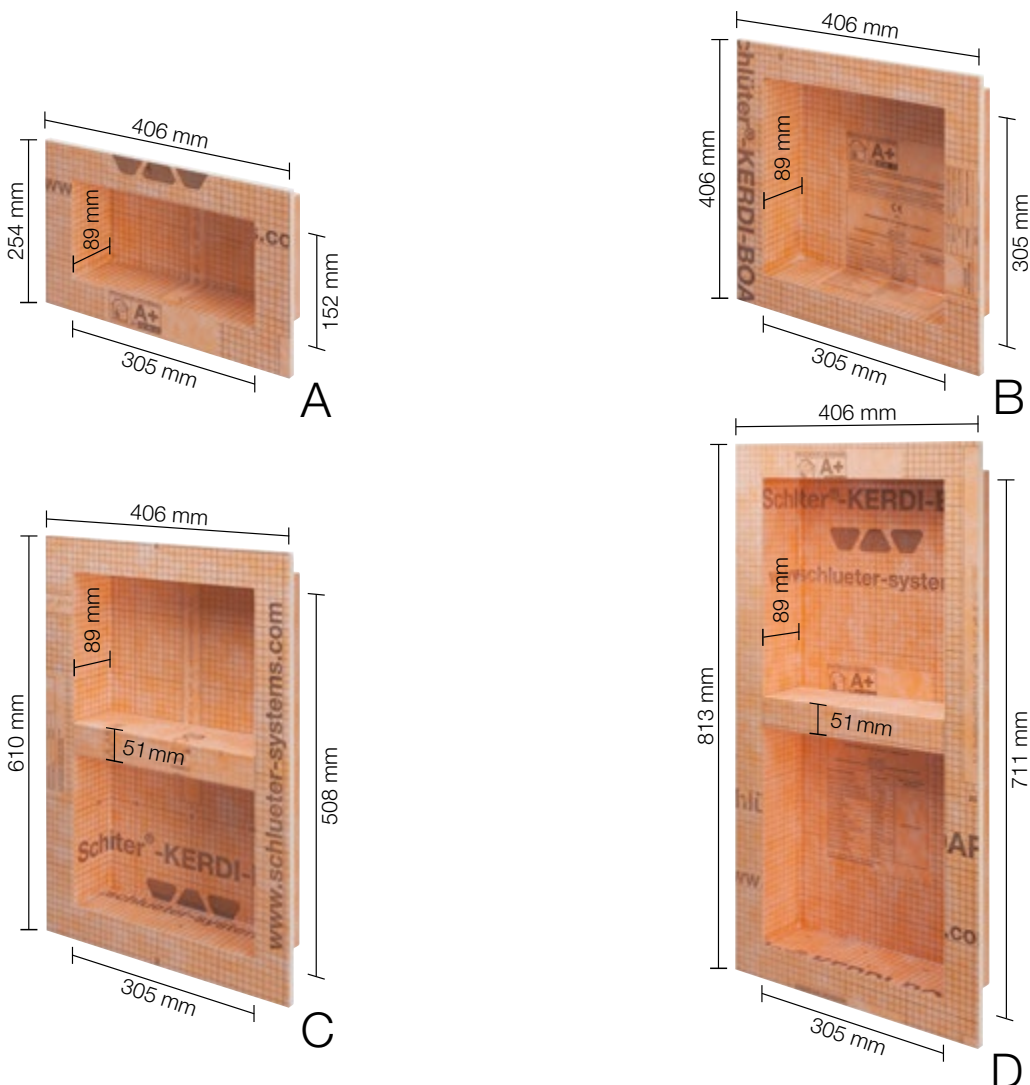


Schlüter-KERDI-BOARD-N are prefabricated installation components made of KERDI-BOARD for creating niches and shelves for wall areas. These niches can be integrated into the Schlüter-KERDI waterproofing system as a bonded waterproofing assembly. The niches are available in different dimensions. The rectangular niches can be installed either vertically or horizontally. The shelf component in the two large niches can be variably positioned and can be omitted if desired, for example to create broad niches in horizontal format. All niches are supplied with a pre-fabricated KERDI collar.

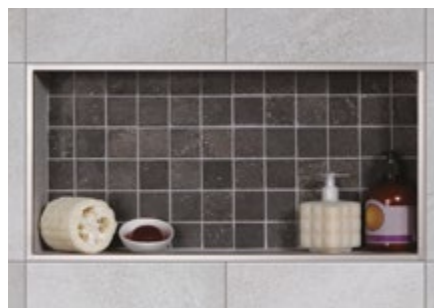
(Product data sheet 12.1)



Dimensions of niches



Note: The specified values represent the external dimensions of the niches. The intermediate shelf of niches C and D can be positioned freely.



Schlüter®-KERDI-BOARD-N

niche set

	B x H x T (mm)	Shelf depth (mm)	Adjustable shelf	Art. No.	€ / U.	PL (Unit)
A	305 x 152 x 89	12.5	–	KB 12 N 305 152 A	66.88	20
B	305 x 305 x 89	12.5	–	KB 12 N 305 305 A	83.68	20
C	305 x 508 x 89	12.5	1	KB 12 N 305 508 A1	123.72	20
D	305 x 711 x 89	12.5	1	KB 12 N 305 711 A1	167.39	20

INSTALLATION VIDEO →



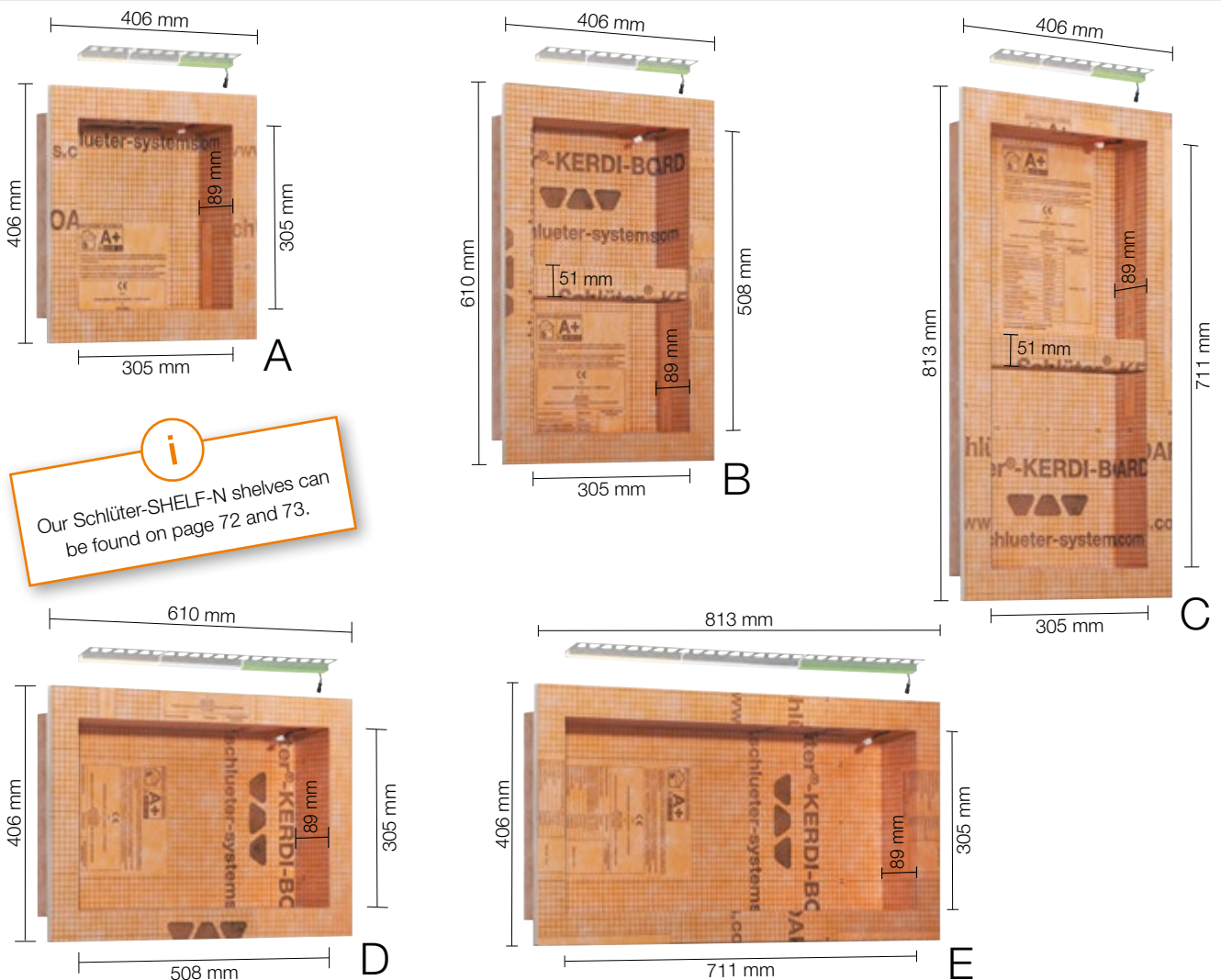


Schlüter®-KERDI-BOARD-NLT

Schlüter-KERDI-BOARD-NLT are prefabricated niche sets made of KERDI-BOARD with plug-and-play LIPROTEC-LED technology. They are used to create illuminated niches and storage surfaces for all kinds of wall areas. These niches can be integrated into the Schlüter-KERDI waterproofing system as a bonded waterproofing assembly. The niches are available in different dimensions and lighting options. The rectangular niches are available with illumination either on the long or the narrow side. The LED module can either be positioned at the front edge, in the centre or at the rear of the wall that is to be tiled. The scope of supply includes all components required for the installation, as well as the cable connection, power supply and sealing collar.

(Product data sheet 12.2)

Dimensions of niches



i Our Schlüter-SHELF-N shelves can be found on page 72 and 73.

Note: The intermediate shelf of niches B and C can be positioned freely.

Set includes:



i Bluetooth controls also available separately!

Niche set with LED lighting

Schlüter®-KERDI-BOARD-NLT

niche set with LED lighting

	B x H x T (mm)	Type of light	Art. No.	€ / Set	PL (Set)
A	305 x 305 x 89	warm white	KB 12 NL TP1 AE 1	300.46	20
		neutral white	KB 12 NL TP1 AE 2	300.46	20
		RGB + white	KB 12 NL TP1 AE 9	338.01	20
B	305 x 508 x 89	warm white	KB 12 NL TP2 AE 1	338.01	20
		neutral white	KB 12 NL TP2 AE 2	338.01	20
		RGB + white	KB 12 NL TP2 AE 9	375.57	20
C	305 x 711 x 89	warm white	KB 12 NL TP3 AE 1	388.10	20
		neutral white	KB 12 NL TP3 AE 2	388.10	20
		RGB + white	KB 12 NL TP3 AE 9	425.65	20
D	508 x 305 x 89	warm white	KB 12 NL TP4 AE 1	369.32	20
		neutral white	KB 12 NL TP4 AE 2	369.32	20
		RGB + white	KB 12 NL TP4 AE 9	388.10	20
E	711 x 305 x 89	warm white	KB 12 NL TP5 AE 1	450.68	20
		neutral white	KB 12 NL TP5 AE 2	450.68	20
		RGB + white	KB 12 NL TP5 AE 9	469.47	20

Note: The dimensions represent interior clearance dimensions. The first length specification is the illuminated length.

INSTALLATION VIDEO →



Technical data of the included LED modules

NLT 9 (RGB+W)		NLT 1 (warm white)		NLT 2 (neutral white)	
Dimensions of LED (B x H)	17 x 14.5 mm	Dimensions of LED (B x H)	12 x 10.5 mm	Dimensions of LED (B x H)	12 x 10.5 mm
Rated output (W/m)	See table on page 46	Rated output (W/m)	See table on page 46	Rated output (W/m)	See table on page 46
EEC	F	EEC	E	EEC	E
Number of LED (u./m)	112	Number of LED (u./m)	280	Number of LED (u./m)	280
Colour temperature (Kelvin)	RGB+W (2700 K)	Colour temperature (Kelvin)	3000 K	Colour temperature (Kelvin)	4900 K
CRI	90	CRI	92	CRI	92
Included power supply	230 V. 15 W	Included power supply	230 V. 15 W	Included power supply	230 V. 15 W
Included cable	3 m	Included cable	3 m	Included cable	3 m





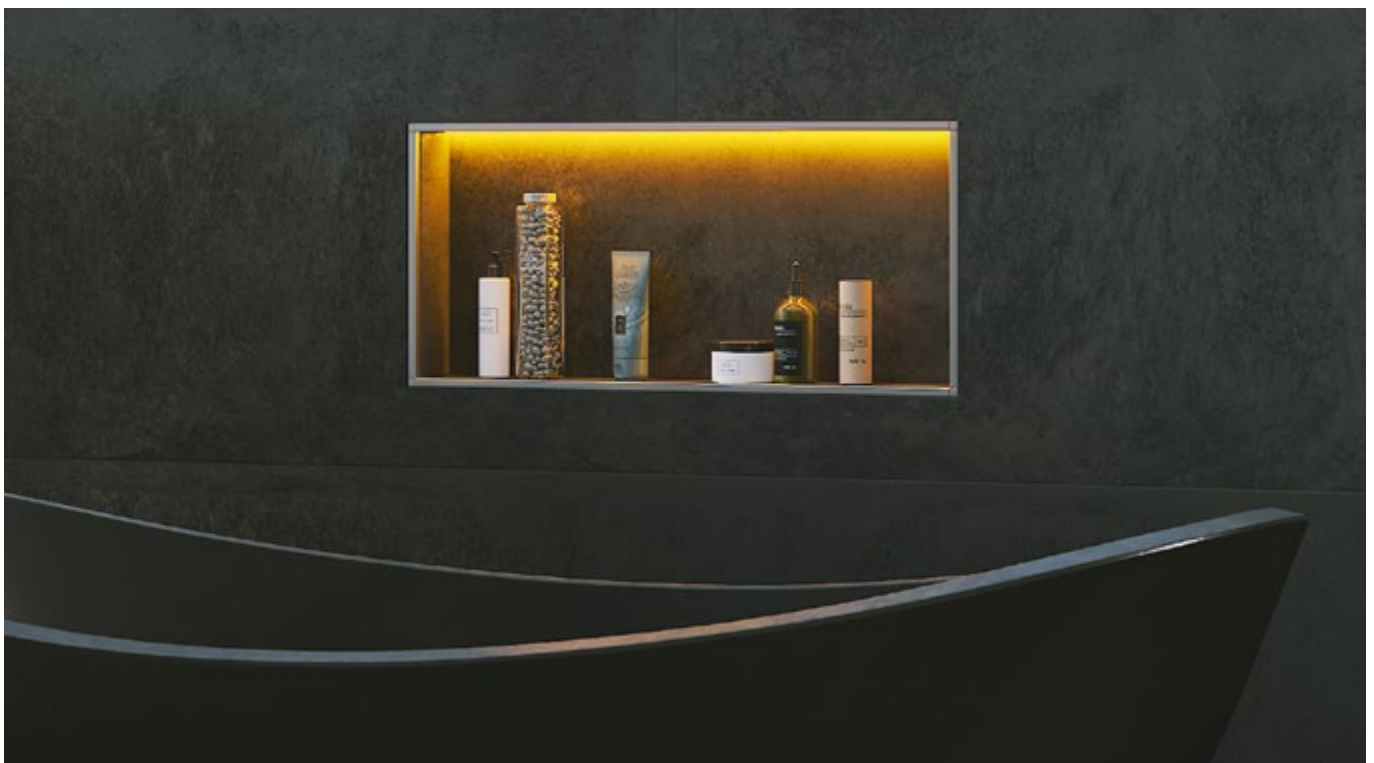
Schlüter®-KERDI-BOARD-NLT-BR



Schlüter-KERDI-BOARD-NLT-BR are prefabricated niche sets made of KERDI-BOARD with plug-and-play LIPROTEC-LED RGB+W technology and with Bluetooth/wireless receivers. The various light colours can be selected either via the supplied remote control or via suitable Bluetooth-compatible smartphones or tablets. They are used to create illuminated niches and storage surfaces for all kinds of wall areas. These niches can be integrated into the Schlüter-KERDI waterproofing system as a bonded waterproofing assembly.

The niches are available in different dimensions. The rectangular niches are available with illumination either on the long or the narrow side. The RGB+W LED module can either be positioned at the front edge, centre or at the rear wall that is to be tiled. The scope of supply includes all components required for the installation, as well as the cable connection, power supply, LIPROTEC-PEBR 4 Bluetooth control and sealing collar. We recommend using a standard light switch for convenience.

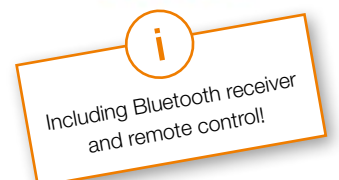
(Product data sheet 12.2)



Set includes:



Note: The different niche variants are listed on page 42.



Niche set with LED lighting and controller



Schlüter®-KERDI-BOARD-NLT-BR

niche set with LED lighting and controller

	B x H x T (mm)	Type of light	Art.-Nr.	€ / Set	PL (Set)
A	305 x 305 x 89	RGB + white	KB 12 NL TP1 AE 9 BR	557.11	20
B	305 x 508 x 89	RGB + white	KB 12 NL TP2 AE 9 BR	594.66	20
C	305 x 711 x 89	RGB + white	KB 12 NL TP3 AE 9 BR	644.74	20
D	508 x 305 x 89	RGB + white	KB 12 NL TP4 AE 9 BR	607.18	20
E	711 x 305 x 89	RGB + white	KB 12 NL TP5 AE 9 BR	688.54	20

Note: The dimensions represent interior clearance dimensions. The first length specification is the illuminated length.

Technical data of supplied LED module

NLT 9 BR (RGB+W)	
Dimensions of LED (B x H)	17 x 14.5 mm
Rated output (W/unit)	See table on page 46
Number of LED (u./m)	112
Colour temperature (Kelvin)	RGB+W (2700 K)
CRI	90
Included power supply	230 V, 15 W
Included cable	3 m

i
Detailed technical information about Schlüter-KERDI-BOARD-NLT/-NLT-BR can be found on pages 48-49.

Technical data of the included Bluetooth control

LT PEBR 4	
Receiver/remote control transmission standard	Bluetooth/radio
Max. range	10 m
Input voltage	24 V, DC
Max. total load in the LIPROTEC system	90 W
Max. length LED strips	6 m
Degree of protection	IP63
Ambient temperature	-20 °C to +50 °C

i
Schlüter-SHELF-N offers precisely fitting shelves for the niche sets A, B and C. Please see pages 72-73 for options.

**Note:**

Our Schlüter-LIPROTEC-ERP radio rotary control is available as an optional accessory on page 48.





Schlüter®-KERDI-BOARD-NLT/-NLT-BR

Schlüter-KERDI-BOARD-NLT/-NLT-BR are prefabricated niche sets made of KERDI-BOARD with plug-and-play LIPROTEC-LED technology. They are used to create illuminated niches and storage surfaces for all kinds of wall areas. These niches can be integrated into the Schlüter-KERDI waterproofing system as a bonded waterproofing assembly. The niches are available in different dimensions and lighting options. The rectangular niches are available with illumination either on the long or the narrow side. The LED module can either be positioned at the front edge, in the centre or at the rear of the wall that is to be tiled. The niches are available both with or without Bluetooth control. We recommend using a standard light switch for convenience. (*Product data sheet 12.2*)

NISCHEN	EINSATZBEREICH	EIGENSCHAFTEN	ABMESSUNGEN		
B x H x T (mm)			AUSFÜHRUNG	LED-LÄNGEN (mm)	LICHTFARBE
305 x 305 x 89			WARMWEISS/ NEUTRALWEISS	300	warmweiß
305 x 508 x 89					neutralweiß
305 x 711 x 89					RGB+W
508 x 305 x 89			RGB+W	505	warmweiß
711 x 305 x 89					neutralweiß
					RGB+W
				705	warmweiß
					neutralweiß
					RGB+W

The specified light current refers to the entire light-emitting surface of the LED tube and may be reduced in the installed state, depending on the profile material and geometry.
In the case of RGB+W LEDs, light current, energy efficiency class and weighted consumption refer to white light only.

CLASSIC rotary control



Schlüter®-LIPROTEC-ERP

Schlüter-LIPROTEC-ERP is a wireless rotary control for operating Schlüter-LIPROTEC-PEBR/-EBR Bluetooth receivers. The rotary control units include on / off / dim functions and support the use of memorised favourite light settings with the app. The units can operate both white and coloured LED strips. The genuine glass carrier plate with brilliant white rear lacquering can be combined with many commercially available frame 55 series, using the supplied adapter. If you prefer the stand-alone variant, you can also individually attach the LIPROTEC rotary control in your preferred location with our standard frame.



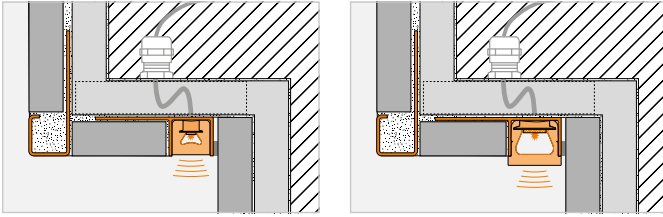
Schlüter®-LIPROTEC-ERP

wireless rotary control
for Bluetooth receiver EBR / PEBR

Art. No.	€ / U.	P (Unit)
LT ERP BW	106.60	10

Note:

For additional technical information and properties, refer to our Schlüter-LIPROTEC illustrated price list.



LICHTTECHNISCHE DATEN

NENNLEISTUNG (W / St.)	ANZAHL LEDs (St. / m)	CRI	FARBTEMPERATUR (Kelvin)	LICHTSTROM (lm)	EEK	kWh / 1000 h	SCHUTZART	ABSTRAHLRICHTUNGEN	
1,60	280	92	3000	80	E	2	IP67	WARMWEISS/ NEUTRALWEISS 	
1,60	280	92	4900	84	E	2			
4,40	112	90	2700	156	F	2		RGB+W 	
2,60	280	92	3000	133	E	3			
2,60	280	92	4900	141	E	3			
7,30	112	90	2700	262	F	3			
3,50	280	92	3000	187	E	4			
3,50	280	92	4900	197	E	4			
10,10	112	90	2700	364	F	3			





Schlüter®-KERDI-BOARD-W

Individual, flexible vanity unit solution

- ✓ Prefabricated vanity unit element made of KERDI-BOARD
- ✓ Set includes waterproofing components
- ✓ Ready for tiling
- ✓ Lightweight – easy handling
- ✓ Individually customisable
- ✓ 1¼" connection thread to fit commercially available traps
- ✓ Matches KERDI-LINE-VARIO profiles
- ✓ Floating installation feasible together with proprietary vanity unit



Vanity set

Schlüter®-KERDI-BOARD-W

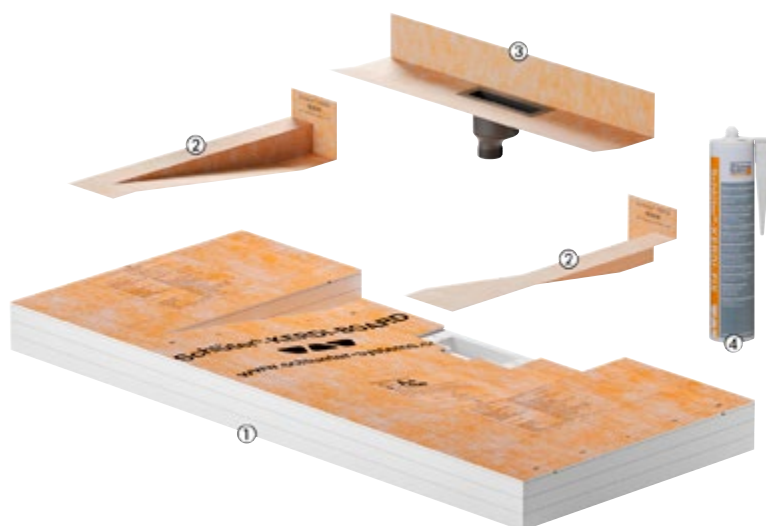


Schlüter-KERDI-BOARD-W is a prefabricated element for creating individually designed, tiled vanity units, with fittings installed at the wall. The element can be installed in niches or corners and is easy to adapt to on-site dimensions. Floating installation is possible with optionally wall fixed vanity units.

The supplied drain adapter has a 1¼" connection thread for connecting commercially available traps and a permanently attached elasticated KERDI waterproofing collar. The scope of supply also includes prefabricated KERDI-KERS corner pieces for dependable waterproofing and a cartridge of KERDI-FIX.

The KERDI-LINE-VARIO drainage profiles to match the covering of the vanity unit must be ordered separately. They can be variably cut to size, are height adjustable and ship with two matching end caps (see product data sheet 8.10).

(Product data sheet 12.3)



Set includes:

- ① prefabricated vanity unit made of KERDI-BOARD
- ② KERDI-KERS corner pieces (right and left)
- ③ drain adapter with 1¼" connection thread, incl. KERDI waterproofing collar
- ④ cartridge of KERDI-FIX

INSTALLATION VIDEO →



Schlüter®-KERDI-BOARD-W

prefabricated vanity unit
incl. corner seal and drain adapter with a permanently integrated waterproofing collar

B x H x T (mm)	Art. No.	€ / Set	PL (Set)
1170 x 82 x 520	KB W 520 1170 WL V1	507.38	10

Note:

The KERDI-BOARD-W vanity unit can only be combined with our drainage profiles KERDI-LINE-VARIO COVE or WAVE.

Console set

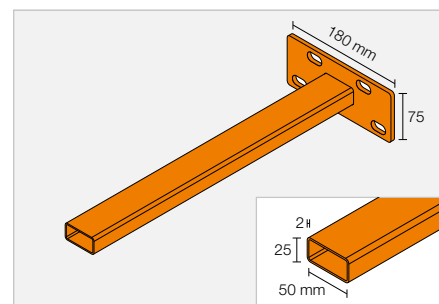
Schlüter®-KERDI-BOARD-AB

console set
for floating wall attachment of the vanity unit, incl. mounting materials

Art. No.	€ / Set	PL (Set)
KB W AB 450	131.20	10

Set includes:

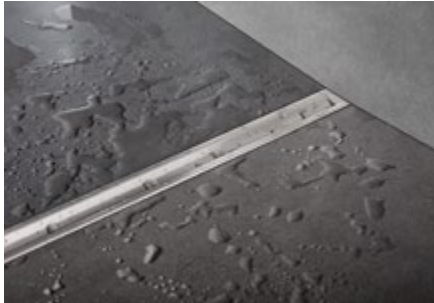
- 2 consoles
- Mounting material
- Drilling template





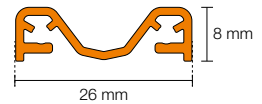
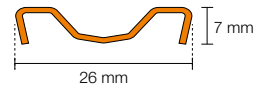
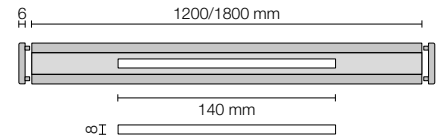
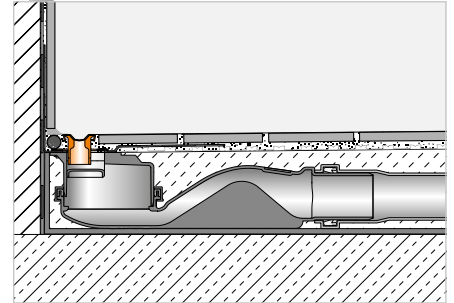
Drainage profile

Schlüter®-KERDI-LINE-VARIO COVE



Schlüter-KERDI-LINE-VARIO COVE is a cove-shaped drainage profile, which can be cut to size, for use with a Schlüter-KERDI-LINE-VARIO-H body. It is available in either brushed stainless steel V4A (material no. 1.4404 = AISI 316L) or one of eight TRENDLINE powder coated aluminium finishes. An opening 8 mm wide and 140 mm long allows water to flow into the drain. The drainage profile is supplied with two matching end caps. The installation height can be adjusted to the thickness of the floor covering by use of tile adhesive. This profile supports the use of wheelchairs in showers.

(Product data sheet 8.10)



Schlüter®-KERDI-LINE-VARIO COVE 26

drainage profile, COVE design (D 9), brushed stainless steel V4A

L (cm)	H = 7 mm Art. No.	€ / Set	P (Set)
120	KL VR D9 EB 120	244.47	10

Schlüter®-KERDI-LINE-VARIO COVE 26

drainage profile, COVE design (D 9), textured aluminium

L (cm)	H = 8 mm Art. No.	€ / Set	P (Set)
120	KL VR D9 MBW 120	181.53	10
120	KL VR D9 MGS 120	181.53	10
120	KL VR D9 TSBG 120	187.79	10
120	KL VR D9 TSC 120	187.79	10
120	KL VR D9 TSDA 120	187.79	10
120	KL VR D9 TSI 120	187.79	10
120	KL VR D9 TSOB 120	187.79	10
120	KL VR D9 TSSG 120	187.79	10

Note:

The drainage profiles of the Schlüter-KERDI-LINE-VARIO series can only be combined with the Schlüter-KERDI-LINE-VARIO-H drain bodies.

Two end caps are included in the set.

Available finishes | colours



For an overview of finishes and colours, please see page 143-144.

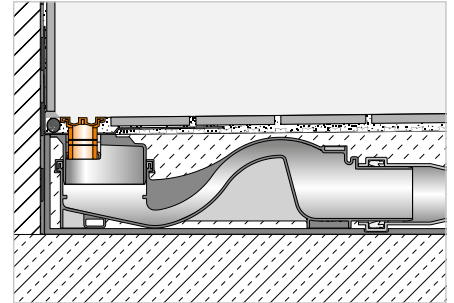
Drainage profile

Schlüter®-KERDI-LINE-VARIO WAVE



Schlüter-KERDI-LINE-VARIO WAVE is a W shaped drainage profile, which can be cut to size, for use with a Schlüter-KERDI-LINE-VARIO-H body. It is available in either brushed stainless steel V4A (material no. 1.4404 = AISI 316L) or one of eight TRENDLINE powder coated aluminium finishes. A 140 mm opening allows water to flow into the drain. The opening is concealed by a removable cover panel. The drainage profile is supplied with two matching end caps.

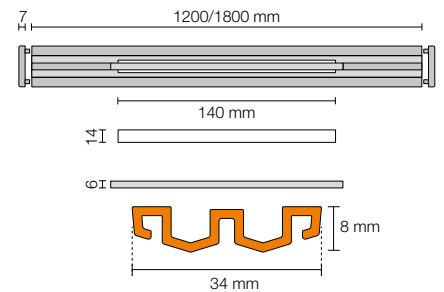
(Product data sheet 8.10)



Schlüter®-KERDI-LINE-VARIO WAVE 34

drainage profile, WAVE design (D 10), textured aluminium

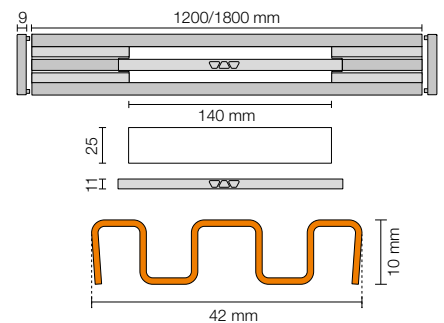
L (cm)	H = 8 mm Art. No.	€ / Set	P (Set)
120	KL VR D10 MBW 120	206.57	10
120	KL VR D10 MGS 120	206.57	10
120	KL VR D10 TSBG 120	212.82	10
120	KL VR D10 TSC 120	212.82	10
120	KL VR D10 TSDA 120	212.82	10
120	KL VR D10 TSI 120	212.82	10
120	KL VR D10 TSOB 120	212.82	10
120	KL VR D10 TSSG 120	212.82	10



Schlüter®-KERDI-LINE-VARIO WAVE 42

drainage profile, WAVE design (D 10), brushed stainless steel V4A

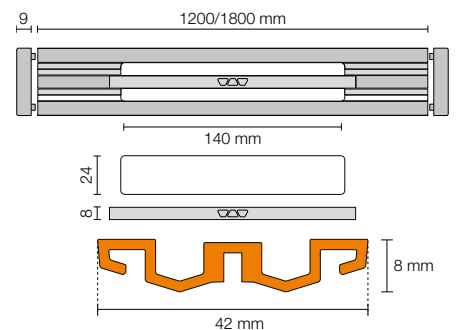
L (cm)	H = 10 mm Art. No.	€ / Set	P (Set)
120	KL VR1 D10 EB 120	307.32	10



Schlüter®-KERDI-LINE-VARIO WAVE 42

drainage profile, WAVE design (D 10), textured aluminium

L (cm)	H = 8 mm Art. No.	€ / Set	P (Set)
120	KL VR1 D10 MBW 120	215.66	10
120	KL VR1 D10 MGS 120	215.66	10
120	KL VR1 D10 TSBG 120	221.05	10
120	KL VR1 D10 TSC 120	221.05	10
120	KL VR1 D10 TSDA 120	221.05	10
120	KL VR1 D10 TSI 120	221.05	10
120	KL VR1 D10 TSOB 120	221.05	10
120	KL VR1 D10 TSSG 120	221.05	10



Note:

The drainage profiles of the Schlüter-KERDI-LINE-VARIO series can only be combined with the Schlüter-KERDI-LINE-VARIO-H drain bodies. Two end caps are included in the set.

Available finishes | colours



For an overview of finishes and colours, please see pages 143-144.



Schlüter®-DITRA

The original. Now even better.



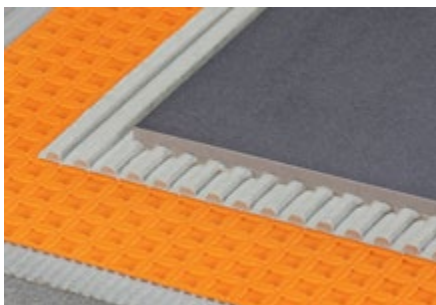
← WHY DO YOU NEED UNCOUPLING?

The DITRA membrane with its functional versatility has been a proven universal substrate for tile assemblies all over the world. Now DITRA has a new geometry to make it even easier to install. All benefits at a glance:

- ✓ Quick, dependable and easy to install
- ✓ EasyCut imprinted gridlines – Quick and easy cuts
- ✓ EasyFill design – Easier application of tile adhesive with integrated air release vents
- ✓ Modified undercutting for improved tile adhesive bonding
- ✓ Easy roll-out characteristics
- ✓ Proven functions:
 - Waterproofing
 - Uncoupling and crack bridging
 - Vapour pressure equalisation
 - Load transfer
 - Even heat distribution

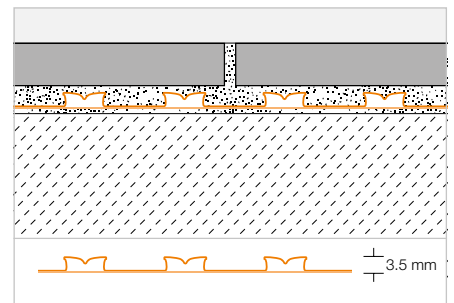
Bonded uncoupling

Schlüter®-DITRA



Schlüter-DITRA is a polypropylene membrane with square, dovetailed EasyFill recesses and an anchoring fleece laminated to the underside. In conjunction with tiled coverings, Schlüter-DITRA forms an uncoupling, bonded waterproofing and vapour pressure equalisation layer.

(Product data sheet 6.1)



Schlüter®-DITRA

polypropylene rolls

L x B = m ²	Art. No.	€ / m ²	PL (Roll)
5.1 x 0.995 = 5	D 5M	23.18	22
30.2 x 0.995 = 30	D 30M	19.21	6

Tool tip:

Schlüter-TROWEL, 4 x 4 notching, see page 140.



Schlüter®-DITRA-HEAT-E

Warm feet guaranteed

If you think an electrical floor and wall heating system is too expensive, re-calculate your investment with Schlüter-DITRA-HEAT-E. The system's quick heat-up response and precise control makes it easy to have warm feet without draining your wallet. The simple press-to-fit heating cables within the uncoupling membrane layer saves considerable time during installation.

- ✓ The pleasant room climate is suitable for allergy sufferers
- ✓ Precise customisable control
- ✓ Cost-effective, durable and maintenance-free
- ✓ Now even easier to cut and install
- ✓ Uncouples the covering from the substrate
- ✓ Impact sound reduction with Schlüter-DITRA-HEAT-DUO
- ✓ Also suitable for waterproofing



← INSTALLATION VIDEO



Bonded uncoupling | heating

Schlüter®-DITRA-HEAT-E-DUO-S



Schlüter-DITRA-HEAT-E-DUO-S are complete sets for electrical heating of floor and wall coverings. They contain the uncoupling mats Schlüter-DITRA-HEAT-DUO-MA (0.8 x 0.98 m), the heating cables Schlüter-DITRA-HEAT-E-HK, and the touchscreen thermostat Schlüter-DITRA-HEAT-E-R or the touchscreen thermostat Schlüter-DITRA-HEAT-E-R6 with WiFi connection and optional voice control. Due to the unique anchoring fleece, the uncoupling mat not only reduces impact sound, but also provides a quicker heat-up response. Where necessary, the uncoupled area can be expanded with additional Schlüter-DITRA-HEAT-DUO membranes.

(Product data sheet 6.4)

All sets include:

- Schlüter-DITRA-HEAT-DUO-MA uncoupling mats, see table
- Heating cable Schlüter-DITRA-HEAT-E-HK; see table (installation around every 3rd stud \triangleq 136 W/m² / installation around every 2nd stud \triangleq 200 W/m²)
- 1 x Schlüter-DITRA-HEAT-E-R6 touchscreen thermostat with WiFi connection and optional voice control
- 2 x junction boxes
- 1 x conduit (3 m)

Schlüter®-DITRA-HEAT-E-DUO-S



complete set for floor and wall installation with WiFi connection and optional voice control

Schlüter®-DITRA-HEAT-DUO-MA		Schlüter®-DITRA-HEAT-E-HK				Art. No.	€ / Set	P (Set)
Number of mats	Uncoupled area in m ²	Heated floor, 136 W/m ² *		Heated wall, 200 W/m ² **				
		m ²	W	m ²	W			
2	1.5	1.1	150	0.7	150	DH D RT6 S1	530.49	9
3	2.3	1.6	225	1	225	DH D RT6 S2	583.72	9
4	3.1	2.2	300	1.5	300	DH D RT6 S3	628.09	9
5	3.9	2.7	375	1.8	375	DH D RT6 S4	692.74	8
6	4.7	3.3	450	2.2	450	DH D RT6 S5	757.37	8
7	5.4	3.8	525	2.6	525	DH D RT6 S6	830.90	5
8	6.2	4.4	600	2.9	600	DH D RT6 S7	895.55	5
9	7	5	675	3.3	675	DH D RT6 S8	972.87	4
10	7.8	5.5	750	3.7	750	DH D RT6 S9	1031.16	4

* for use in floor and wall areas ** for use in wall areas only

Bonded uncoupling | heating



Schlüter®-DITRA-HEAT-E-DUO-WS



Schlüter-DITRA-HEAT-E-DUO-WS are complete sets for electrical heating of wall coverings. They contain the uncoupling mats Schlüter-DITRA-HEAT-DUO-MA (0.8 x 0.98 m), the heating cables Schlüter-DITRA-HEAT-E-HK, and the touchscreen thermostat Schlüter-DITRA-HEAT-E-R or the touchscreen thermostat Schlüter-DITRA-HEAT-E-R6 with WiFi connection and optional voice control. Thanks to its special anchoring fleece, the uncoupling mat facilitates a quicker heat-up response. Where necessary, the uncoupled area can be expanded with additional Schlüter-DITRA-HEAT-DUO membranes.

(Product data sheet 6.4)

All sets include:

- Schlüter-DITRA-HEAT-DUO-MA uncoupling mats, see table
- Heating cable Schlüter-DITRA-HEAT-E-HK; see table (installation around every 2nd stud Δ 200 W/m²)
- 1 x Schlüter-DITRA-HEAT-E-R6 touchscreen thermostat with WiFi connection and optional voice control
- 2 x junction boxes
- 1 x conduit (3 m)

Schlüter®-DITRA-HEAT-E-DUO-WS



complete set for wall installation with WiFi connection and optional voice control

Schlüter®-DITRA-HEAT-DUO-MA		Schlüter®-DITRA-HEAT-E-HK		Art. No.	€ / Set	P (Set)
Number of mats	Uncoupled area in m ²	Heated wall, 200 W/m ²				
		m ²	W			
3	2.3	1.8	375	DH D RT6 S11	640.76	9
4	3.1	2.6	525	DH D RT6 S10	754.84	9



Schlüter®-DITRA-HEAT-PS

Easy to install with Peel & Stick technology

With suitable substrates, Peel & Stick variants can simplify installation and save valuable time and materials compared to conventional DITRA-HEAT. Since the new DITRA-HEAT-PS (Peel & Stick) features a fleece covered in pressure sensitive adhesive laminated to the underside, no tile adhesive is required underneath the mat. That saves significant amounts of material and time. All other functions of the proven DITRA-HEAT mat remain unchanged.

- ✓ No need to use tile adhesive to bond to substrate
- ✓ Quick and easy to install
- ✓ Easy to reposition during installation
- ✓ Saves time and material
- ✓ Immediately load bearing after installation
- ✓ Uncouples the covering from the substrate
- ✓ Easy installation of matching heating cables
- ✓ Also available as DITRA-HEAT-DUO-PS with additional impact sound insulation and faster heat-up response



← INSTALLATION VIDEO

Peel & Stick bonded uncoupling | heating



Schlüter®-DITRA-HEAT-E-DUO-PS-S



Schlüter-DITRA-HEAT-E-DUO-PS-S are complete sets for electrical heating of floor coverings. They contain the uncoupling mats Schlüter-DITRA-HEAT-DUO-MA-PS (0.8 x 0.98 m), the heating cables Schlüter-DITRA-HEAT-E-HK, and the touchscreen thermostat Schlüter-DITRA-HEAT-E-R6 with WiFi connection and optional voice control. Due to the unique anchoring fleece, the uncoupling mat not only reduces impact sound, but also provides a quicker heat-up response. Where necessary, the uncoupled area can be expanded with additional Schlüter-DITRA-HEAT-DUO-PS membranes. (Product data sheet 6.5)

All sets include:

- Schlüter-DITRA-HEAT-DUO-MA-PS peel & stick uncoupling mats, see table
- Heating cable Schlüter-DITRA-HEAT-E-HK; see table (installation around every 3rd stud Δ 136 W/m²)
- 1 x Schlüter-DITRA-HEAT-E-R6 touchscreen thermostat with WiFi connection and optional voice control
- 1 x junction box
- 1 x conduit (3 m)

Schlüter®-DITRA-HEAT-E-DUO-PS-S



complete peel & stick set for floor installation with WiFi connection and optional voice control

Schlüter®-DITRA-HEAT-DUO-MA-PS		Schlüter®-DITRA-HEAT-E-HK		Art. No.	€ / Set	P (Set)
Number of mats	Uncoupled area in m ²	Heated floor 136 W/m ² *				
		m ²	W			
3	2.3	1.6	225	DH D PS RT6 S2	680.13	3
4	3.1	2.2	300	DH D PS RT6 S3	737.44	3
5	3.9	2.7	375	DH D PS RT6 S4	815.47	3

* for use in floor areas only



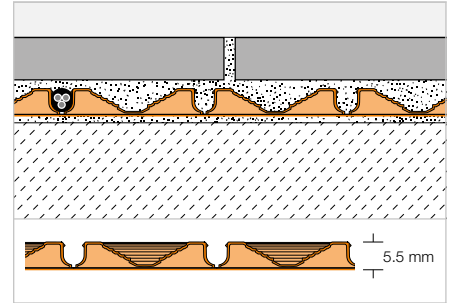
Bonded uncoupling | heating

Schlüter®-DITRA-HEAT



Schlüter-DITRA-HEAT is a polypropylene membrane with a cut back stud structure and an anchoring fleece laminated on the underside. It is a universal substrate for tile coverings, which serves as an uncoupling layer, bonded waterproofing and vapour barrier, designed for the attachment of the matching heating cables for floor and wall heating solution.

(Product data sheet 6.4)



Schlüter®-DITRA-HEAT-MA

polypropylene mats

L x B = m ²	Art. No.	€ / m ²	PL (Unit)
0.8 x 0.98 = 0.78	DH5 MA	24.17	100

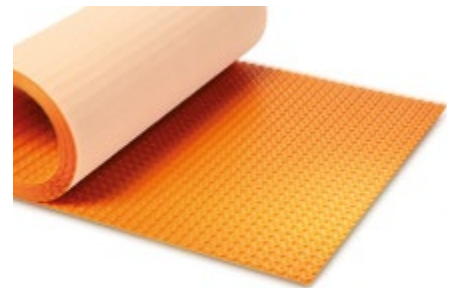
Tool tip:

Schlüter-TROWEL, 6 x 6 notching, see page 140.

Schlüter®-DITRA-HEAT

polypropylene rolls

L x B = m ²	Art. No.	€ / m ²	PL (Roll)
12.76 x 0.98 = 12.5	DH5 12M	21.48	6



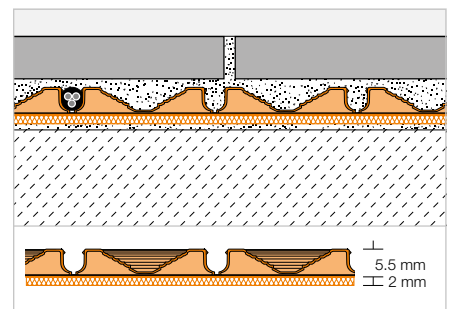
Bonded uncoupling | heating

Schlüter®-DITRA-HEAT-DUO



Schlüter-DITRA-HEAT-DUO is a polypropylene membrane with a cut back stud structure and a special, 2 mm anchoring fleece laminated on the underside. The unique thermal break fleece, in addition to reducing impact sound by up to 13 dB, enables faster heating response. A universal substrate for tile coverings, which serves as a bonded waterproofing, uncoupling, crack bridging, and vapour pressure equalisation layer. Designed for the attachment of the matching system heating cables for a floor and wall solution.

(Product data sheet 6.4)



Schlüter®-DITRA-HEAT-DUO-MA

polypropylene mats with 2 mm thermal break fleece

L x B = m ²	Art. No.	€ / m ²	PL (Unit)
0.8 x 0.98 = 0.78	DH D 8 MA	29.33	100

Tool tip:

Schlüter-TROWEL, 6 x 6 notching, see page 140.

Schlüter®-DITRA-HEAT-DUO

polypropylene rolls with 2 mm thermal break fleece

L x B = m ²	Art. No.	€ / m ²	PL (Roll)
10.2 x 0.98 = 10	DH D 810 M	26.04	6

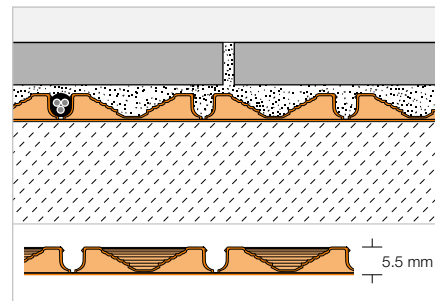


Peel & Stick bonded uncoupling | heating

Schlüter®-DITRA-HEAT-PS


Schlüter-DITRA-HEAT-PS is a polypropylene membrane with a cut back stud structure and a fleece covered in pressure sensitive adhesive laminated to the underside. After peeling off the release film, DITRA-HEAT-PS can be installed on suitable substrates without the use of tile adhesive. Designed to facilitate attachment of the matching heating cables for floor heating it should be used as an uncoupling layer, and a waterproofing and vapour barrier, when installing tiles and other floor coverings.

(Product data sheet 6.5)


Schlüter®-DITRA-HEAT-MA-PS

Peel & Stick polypropylene mats

L x B = m ²	Art. No.	€ / m ²	PL (Unit)
0.8 x 0.98 = 0.78	DH PS 5 MA	31.58	100

Schlüter®-DITRA-HEAT-PS

Peel & Stick polypropylene rolls

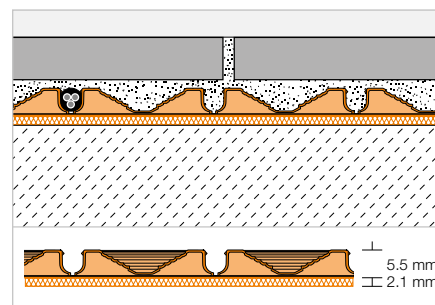
L x B = m ²	Art. No.	€ / m ²	PL (Roll)
12.76 x 0.98 = 12.5	DH PS 512 M	27.82	6

Peel & Stick bonded uncoupling | heating

Schlüter®-DITRA-HEAT-DUO-PS


Schlüter-DITRA-HEAT-DUO-PS is a polypropylene membrane with a cut back stud structure and a special 2 mm fleece covered in pressure sensitive adhesive laminated to the underside. After peeling off the release film, DITRA-HEAT-DUO-PS can be installed on suitable substrates without the use of tile adhesive. The watertight membrane accommodates heating cables and forms an uncoupling and vapour pressure equalisation layer. The unique thermal break fleece, in addition to reducing impact sound by up to 14 dB, enables faster heating response.

(Product data sheet 6.5)


Schlüter®-DITRA-HEAT-DUO-MA-PS

Peel & Stick polypropylene mats with 2 mm thermal fleece

L x B = m ²	Art. No.	€ / m ²	PL (Unit)
0.8 x 0.98 = 0.78	DH D PS 8 MA	37.68	100

Schlüter®-DITRA-HEAT-DUO-PS

Peel & Stick polypropylene rolls with 2 mm thermal fleece

L x B = m ²	Art. No.	€ / m ²	PL (Roll)
10.2 x 0.98 = 10	DH D PS 810 M	34.19	6

Note:

DITRA-HEAT PS/-DUO-PS is waterproof and suitable for use in wetrooms, provided the abutting joints are sealed with KERDI-KEBA and KERDI-COLL. The products do not have ETA (European Technical Assessment) or abP (German technical approval) certification. If such a certification is required, we recommend using the original DITRA-HEAT which is bonded to the substrate with cementitious tile adhesive.



Heating cable

Schlüter®-DITRA-HEAT-E-HK



Schlüter-DITRA-HEAT-E-HK is an electrical heating cable with a unilateral connection for installation in the uncoupling mat Schlüter-DITRA-HEAT. The cable has a heat output of 12.5 W/m.

(Product data sheet 6.6)



Schlüter®-DITRA-HEAT-E-HK

heating cable

L (m)	Heated floor, 136 W/m ² *	Heated wall, 200 W/m ² **	Watts	Art. No.	€ / U.	P (Unit)
	m ²	m ²				
4	0.4	0.25	50	DH E HK 4	122.88	10
6.76	0.6	0.43	85	DH E HK 6	130.54	10
12.07	1.1	0.7	150	DH E HK 12	201.57	10
17.66	1.6	1	225	DH E HK 17	238.33	10
23.77	2.2	1.5	300	DH E HK 23	265.58	10
29.87	2.7	1.8	375	DH E HK 29	313.26	10
35.97	3.3	2.2	450	DH E HK 35	360.90	10
41.56	3.8	2.6	525	DH E HK 41	401.75	10
47.67	4.4	2.9	600	DH E HK 47	460.34	10
53.77	5	3.3	675	DH E HK 53	510.75	10
59.87	5.5	3.7	750	DH E HK 59	544.78	10
71.57	6.6	4.4	900	DH E HK 71	626.48	10
83.77	7.7	5.1	1050	DH E HK 83	735.45	10
95.47	8.8	5.9	1200	DH E HK 95	837.57	10
107.67	10	6.6	1350	DH E HK 107	919.31	10
136.16	12.7	8.4	1700	DH E HK 136	1101.95	10
164.07	15	10	2050	DH E HK 164	1318.10	10
192.27	17.7	11.8	2400	DH E HK 192	1542.18	10
216.27	20	13.2	2700	DH E HK 216	1733.32	10
244.37	22.7	15.1	3050	DH E HK 244	1944.21	10

* for use in floor and wall areas ** for use in wall areas only

Note:

Heating cables must not be shortened.

When selecting the heating cable, please note that the table indicates the heated space in m², not the room size. To determine the heated space, deduct unheated zones such as perimeter areas and storage space from the room size.

Testing tool

Schlüter®-DITRA-HEAT-E-CT



Schlüter-DITRA-HEAT-E-CT is a test device for measuring and checking the resistance of the electrical heating cables Schlüter-DITRA-HEAT-E-HK and -CHC and the remote sensors supplied with Schlüter-DITRA-HEAT-E thermostats. The device monitors the resistance of the heating cables during the entire installation phase. It alerts the installer with an acoustic signal in the event of damage.

(Product data sheet 6.6)

Schlüter®-DITRA-HEAT-E-CT

cable tester

Art. No.	€ / U.	P (Unit)
DH E CT	39.35	10

TUTORIAL VIDEO →



Installation set

Schlüter®-DITRA-HEAT-E-ZS



Schlüter-DITRA-HEAT-E-ZS is an installation set comprising a conduit (2.5 m), junction box, and sensor sleeve. It can be used if the installation of the remote sensor in the conduit is preferred.

(Product data sheet 6.6)

Schlüter®-DITRA-HEAT-E-ZS

installation set for thermostat

Art. No.	€ / Set	P (Set)
DH E ZS 1	15.81	10

Thermostat

Schlüter®-DITRA-HEAT-E-R6



Schlüter-DITRA-HEAT-E-R6 is an all-in-one thermostat with WiFi connection and optional voice control. It controls floor and wall coverings that are electrically heated with Schlüter-DITRA-HEAT-E. As an alternative, the system can be operated via the 2" (5.1 cm) touchscreen display, with the Schlüter-HEAT-CONTROL app for iOS and Android or by voice control with Amazon Alexa or Google Assistant. The thermostat controls either the surface or room temperature based on a time schedule. An additional sensor, which is installed but left unconnected, is included within the box.

(Product data sheet 6.6)

Schlüter®-DITRA-HEAT-E-R6

touchscreen thermostat (230 V) with two remote sensors, WiFi and Voice Control function

Art. No.	€ / Set	P (Set)
DH E RT 6 / BW	330.37	10
★ DH E RT 6 / DA	336.00	10

Available colours:



BW = brilliant white

DA = dark anthracite

TUTORIAL VIDEO →



Thermostat

Schlüter®-DITRA-HEAT-E-R4



Schlüter-DITRA-HEAT-E-R4 is an analogue thermostat for the electrical temperature regulation of wall and floor coverings with Schlüter-DITRA-HEAT-E. The user-friendly thermostat has an on/off switch and a dial for adjusting the temperature set-point. An additional sensor, which is installed but left unconnected, is included within the box.

(Product data sheet 6.6)

Schlüter®-DITRA-HEAT-E-R4

thermostat (230 V)
with on/off switch and two remote sensors

Art. No.	€ / Set	P (Set)
DH E RT 4 / BW	172.03	10

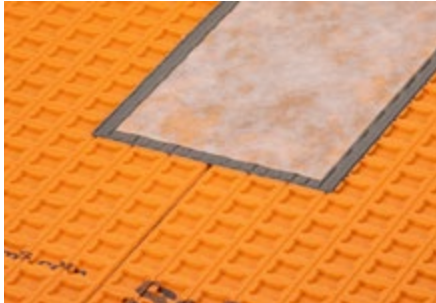
Note:

The remote sensor should be installed within the Schlüter-DITRA-HEAT uncoupling mat. Although two remote sensors are included, only one should be connected to the thermostat whilst the other is left unconnected as a spare.

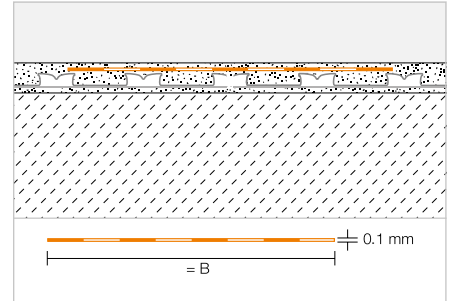


Sealing tape

Schlüter®-KERDI-KEBA



Schlüter-KERDI-KEBA is a sealing band to seal mat connections and wall to floor connections.
(Product data sheet 8.1)



Schlüter®-KERDI-KEBA

polyethylene rolls

B (mm)	roll = 30 m Art. No.	€ / m	PL (Roll)
85	KEBA 100 / 85	2.68	336
125	KEBA 100 / 125	4.02	210
150	KEBA 100 / 150	4.25	210
185	KEBA 100 / 185	5.51	168
250	KEBA 100 / 250	7.13	126

Schlüter®-KERDI-KEBA/5M

polyethylene rolls

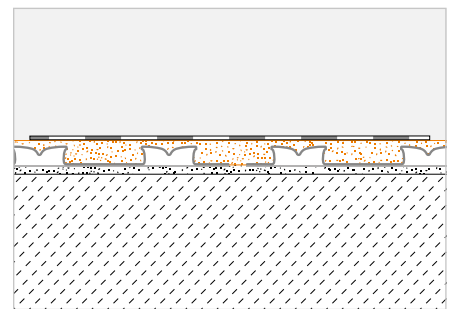
B (mm)	roll = 5 m Art. No.	€ / m	P (Roll)
85	KEBA 100 / 85 / 5M	3.77	10
125	KEBA 100 / 125 / 5M	5.02	10
150	KEBA 100 / 150 / 5M	5.39	10
185	KEBA 100 / 185 / 5M	6.56	10
250	KEBA 100 / 250 / 5M	8.23	10

Sealing adhesive

Schlüter®-KERDI-COLL-L



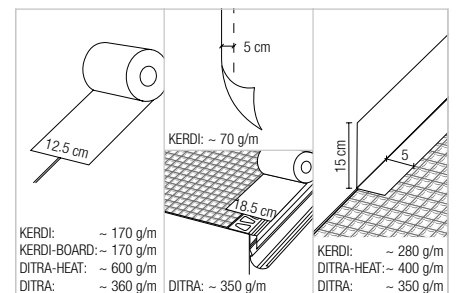
Schlüter-KERDI-COLL-L is a two component sealant adhesive based on a solvent free acrylate dispersion and a reactive cementitious powder. It is suitable for adhering and sealing overlaps of Schlüter-KERDI membranes. In addition, Schlüter-KERDI-COLL-L can be used to tightly adhere the sealing band Schlüter-KERDI-KEBA on bonded waterproofing assemblies made with suitable Schlüter-Systems products as well as Schlüter-BARA edging profiles.
(Product data sheet 8.4)



Schlüter®-KERDI-COLL-L

two-component sealing adhesive

Weight (kg)	Art. No.	€ / kg	PL (Unit)
1.85	KERDI-COLL-L 185	14.47	110
4.25	KERDI-COLL-L	11.92	75



Schlüter®-SHELF

Attractive, stable and quick to install

Schlüter-SHELF is a stylish addition to showers and much more. The shelf in elegant STYLE design offers practical storage for existing or yet to be installed tiles.

- ✓ Brushed stainless steel or TRENDLINE powder coated aluminium
- ✓ Five elegant, modern designs: FLORAL, CURVE, PURE, SQUARE and WAVE
- ✓ Five different formats



NEED HELP SELECTING A SHELF?
TRY OUR SELECTOR TOOL

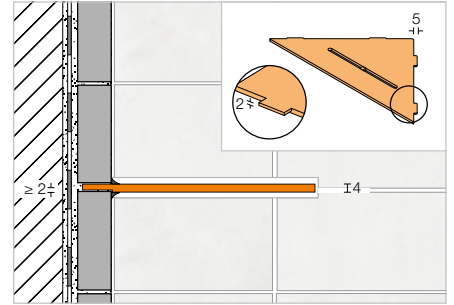


Shelf

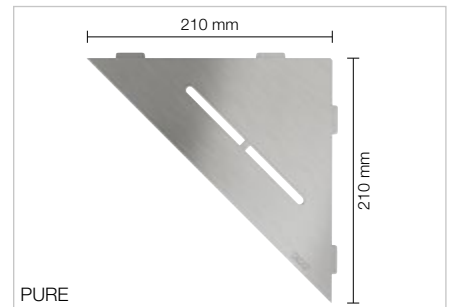
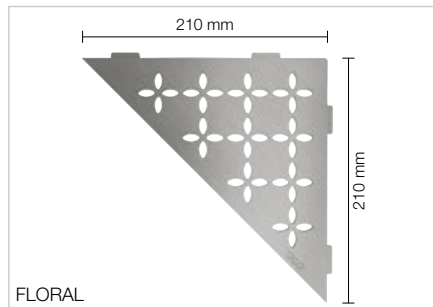
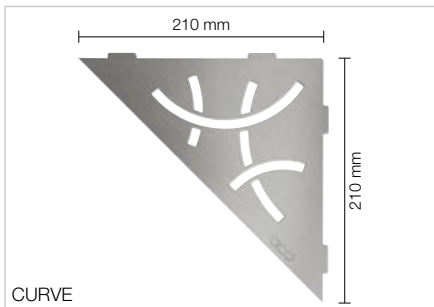
Schlüter®-SHELF-E-S1



Schlüter-SHELF-E-S1 are triangular shelves for installation in corners. They are available in the design variants FLORAL, CURVE, PURE, SQUARE and WAVE in the finish choices brushed stainless steel or TRENDLINE powder coated aluminium. The shelves can be integrated into the tile assembly during tile installation or retrofitted into the joints of tiled walls, using the 2 mm attachment tabs. SHELF-E-S1 are suitable as shelves in shower areas, but can also be integrated into other tiled areas such as tiled kitchen walls. (Product data sheet 17.1)



i
Also suitable for retrofit installation



Schlüter®-SHELF-E-S1-EB

shelf, CURVE design,
brushed stainless steel

Art. No.	€ / U.	P (Unit)
SE S1 D6 EB	104.22	10

Schlüter®-SHELF-E-S1-EB

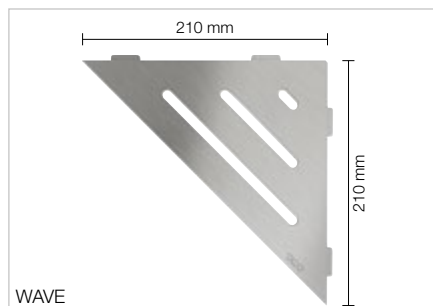
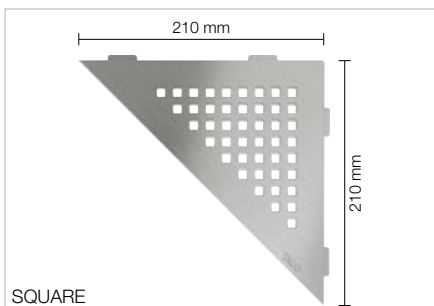
shelf, FLORAL design,
brushed stainless steel

Art. No.	€ / U.	P (Unit)
SE S1 D5 EB	110.73	10

Schlüter®-SHELF-E-S1-EB

shelf, PURE design,
brushed stainless steel

Art. No.	€ / U.	P (Unit)
SE S1 D7 EB	109.37	10



Schlüter®-SHELF-E-S1-EB

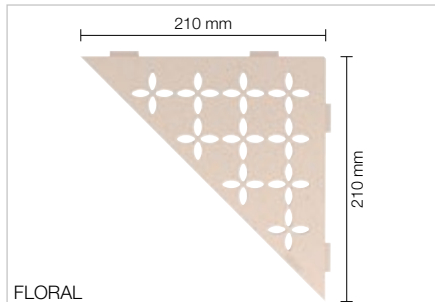
shelf, SQUARE design,
brushed stainless steel

Art. No.	€ / U.	P (Unit)
SE S1 D3 EB	109.37	10

Schlüter®-SHELF-E-S1-EB

shelf, WAVE design,
brushed stainless steel

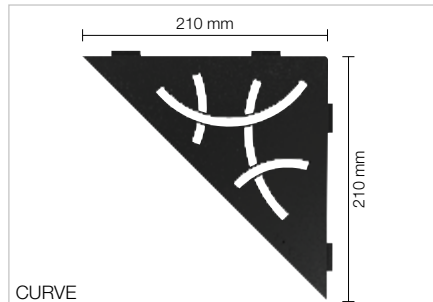
Art. No.	€ / U.	P (Unit)
SE S1 D10 EB	109.37	10



Schlüter®-SHELF-E-S1-AC

shelf, FLORAL design,
colour coated aluminium

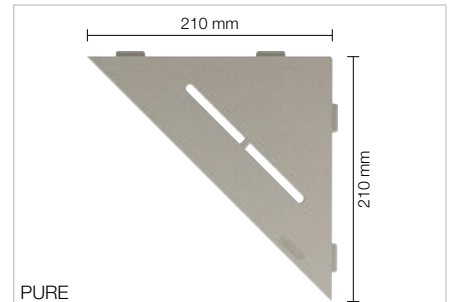
Art. No.	€ / U.	P (Unit)
SE S1 D5 ...*	81.12	10



Schlüter®-SHELF-E-S1-AC

shelf, CURVE design,
colour coated aluminium

Art. No.	€ / U.	P (Unit)
SE S1 D6 ...*	74.79	10



Schlüter®-SHELF-E-S1-AC

shelf, PURE design,
colour coated aluminium

Art. No.	€ / U.	P (Unit)
SE S1 D7 ...*	83.25	10

Schlüter®-SHELF-E-S1-TS

shelf, FLORAL design,
textured aluminium

Art. No.	€ / U.	P (Unit)
SE S1 D5 ...**	88.73	10

Schlüter®-SHELF-E-S1-TS

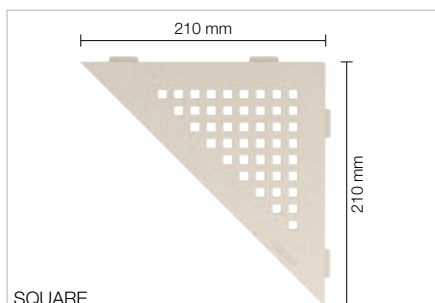
shelf, CURVE design,
textured aluminium

Art. No.	€ / U.	P (Unit)
SE S1 D6 ...**	82.38	10

Schlüter®-SHELF-E-S1-TS

shelf, PURE design,
textured aluminium

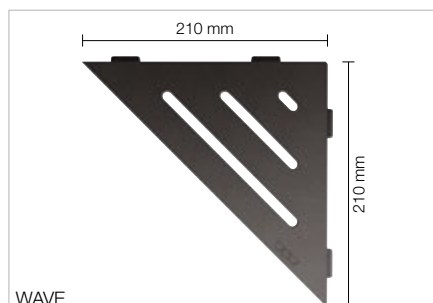
Art. No.	€ / U.	P (Unit)
SE S1 D7 ...**	89.51	10



Schlüter®-SHELF-E-S1-AC

shelf, SQUARE design,
colour coated aluminium

Art. No.	€ / U.	P (Unit)
SE S1 D3 ...*	83.25	10



Schlüter®-SHELF-E-S1-AC

shelf, WAVE design,
colour coated aluminium

Art. No.	€ / U.	P (Unit)
SE S1 D10 ...*	83.25	10

Schlüter®-SHELF-E-S1-TS

shelf, SQUARE design,
textured aluminium

Art. No.	€ / U.	P (Unit)
SE S1 D3 ...**	89.51	10

Schlüter®-SHELF-E-S1-TS

shelf, WAVE design,
textured aluminium

Art. No.	€ / U.	P (Unit)
SE S1 D10 ...**	89.51	10

Available finishes | colours



For an overview of finishes and colours, please see pages 143-144.

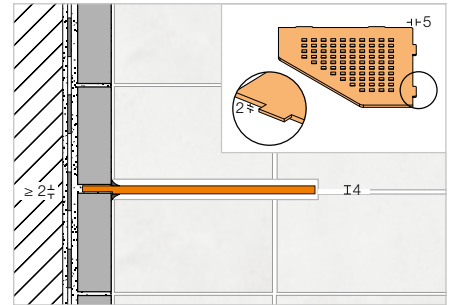


Shelf

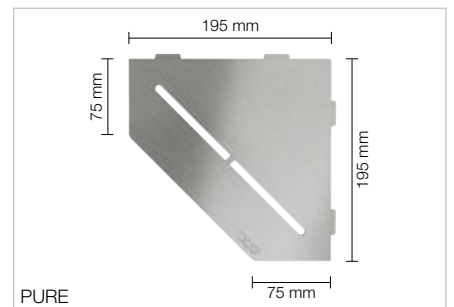
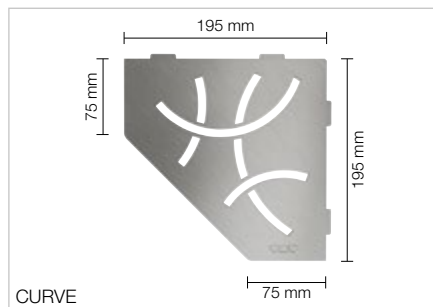
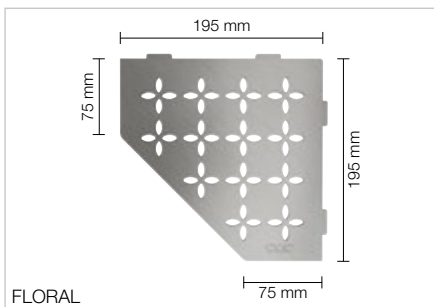
Schlüter®-SHELF-E-S2



Schlüter-SHELF-E-S2 are pentagonal shelves for installation in corners. They are available in the design variants FLORAL, CURVE, PURE, SQUARE and WAVE in the finish choices brushed stainless steel or TRENDLINE powder coated aluminium. The shelves can be integrated into the tile assembly during tile installation or retrofitted into the joints of tiled walls, using the 2 mm attachment tabs. SHELF-E-S2 are suitable as shelves in shower areas, but can also be integrated into other tiled areas such as tiled kitchen walls. (Product data sheet 17.1)



i
Also suitable for retrofit installation



Schlüter®-SHELF-E-S2-EB

shelf, FLORAL design,
brushed stainless steel

Art. No.	€ / U.	P (Unit)
SE S2 D5 EB	117.25	10

Schlüter®-SHELF-E-S2-EB

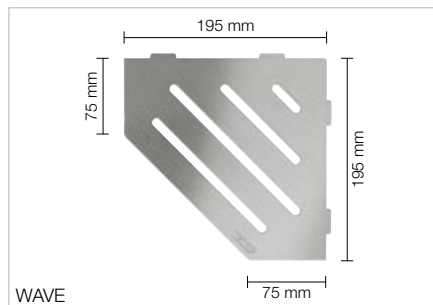
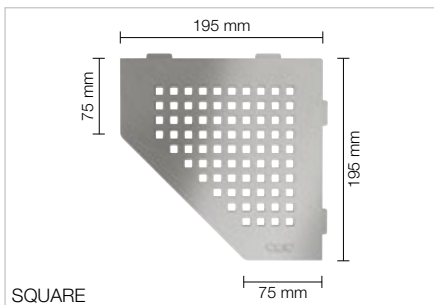
shelf, CURVE design,
brushed stainless steel

Art. No.	€ / U.	P (Unit)
SE S2 D6 EB	110.73	10

Schlüter®-SHELF-E-S2-EB

shelf, PURE design,
brushed stainless steel

Art. No.	€ / U.	P (Unit)
SE S2 D7 EB	115.79	10



Schlüter®-SHELF-E-S2-EB

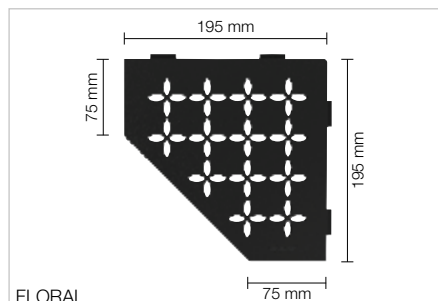
shelf, SQUARE design,
brushed stainless steel

Art. No.	€ / U.	P (Unit)
SE S2 D3 EB	115.79	10

Schlüter®-SHELF-E-S2-EB

shelf, WAVE design,
brushed stainless steel

Art. No.	€ / U.	P (Unit)
SE S2 D10 EB	115.79	10

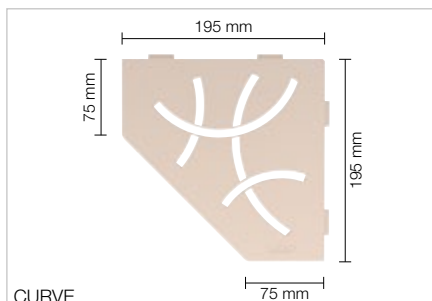


FLORAL

Schlüter®-SHELF-E-S2-AC

shelf, FLORAL design,
colour coated aluminium

Art. No.	€ / U.	P (Unit)
SE S2 D5 ...*	84.29	10

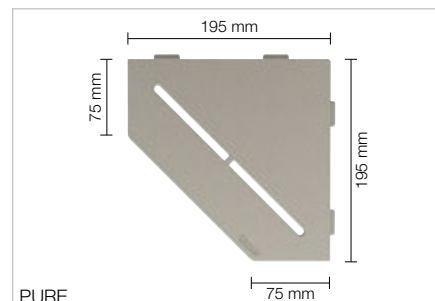


CURVE

Schlüter®-SHELF-E-S2-AC

shelf, CURVE design,
colour coated aluminium

Art. No.	€ / U.	P (Unit)
SE S2 D6 ...*	79.22	10



PURE

Schlüter®-SHELF-E-S2-AC

shelf, PURE design,
colour coated aluminium

Art. No.	€ / U.	P (Unit)
SE S2 D7 ...*	84.51	10

Schlüter®-SHELF-E-S2-TS

shelf, FLORAL design,
textured aluminium

Art. No.	€ / U.	P (Unit)
SE S2 D5 ...**	91.90	10

Schlüter®-SHELF-E-S2-TS

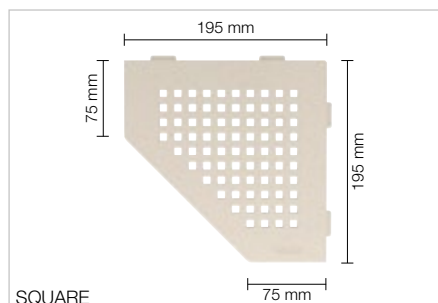
shelf, CURVE design,
textured aluminium

Art. No.	€ / U.	P (Unit)
SE S2 D6 ...**	86.84	10

Schlüter®-SHELF-E-S2-TS

shelf, PURE design,
textured aluminium

Art. No.	€ / U.	P (Unit)
SE S2 D7 ...**	92.01	10

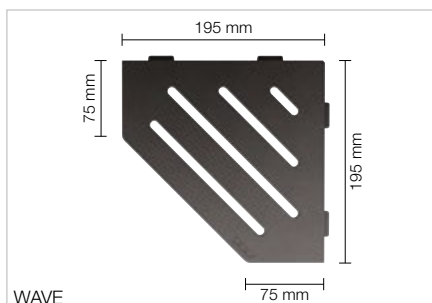


SQUARE

Schlüter®-SHELF-E-S2-AC

shelf, SQUARE design,
colour coated aluminium

Art. No.	€ / U.	P (Unit)
SE S2 D3 ...*	84.51	10



WAVE

Schlüter®-SHELF-E-S2-AC

shelf, WAVE design,
colour coated aluminium

Art. No.	€ / U.	P (Unit)
SE S2 D10 ...*	84.51	10

Schlüter®-SHELF-E-S2-TS

shelf, SQUARE design,
textured aluminium

Art. No.	€ / U.	P (Unit)
SE S2 D3 ...**	92.01	10

Schlüter®-SHELF-E-S2-TS

shelf, WAVE design,
textured aluminium

Art. No.	€ / U.	P (Unit)
SE S2 D10 ...**	92.01	10

Available finishes | colours



For an overview of finishes and colours, please see pages 143-144.

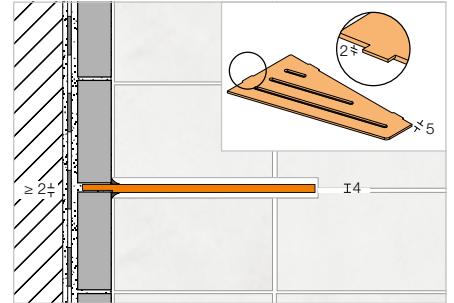


Shelf

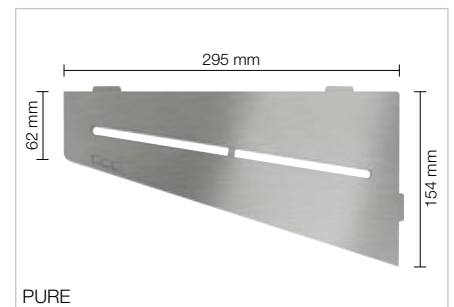
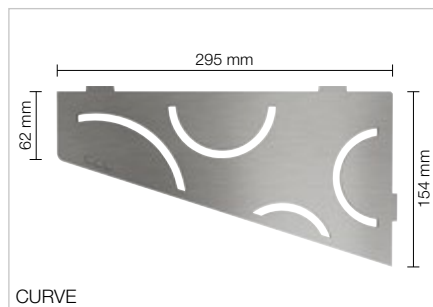
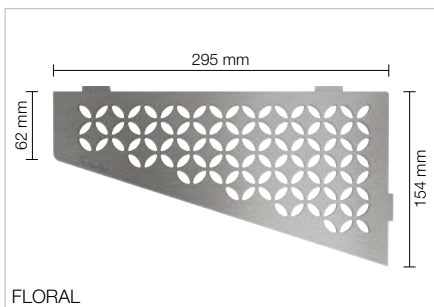
Schlüter®-SHELF-E-S3



Schlüter-SHELF-E-S3 are quadrangular shelves with asymmetrical side lengths for installation in corners. They are available in the design variants FLORAL, CURVE, PURE, SQUARE and WAVE in the finish choices brushed stainless steel or TRENDLINE powder coated aluminium. The shelves can be integrated into the tile assembly during tile installation or retrofitted into the joints of tiled walls, using the 2 mm attachment tabs. SHELF-E-S3 are suitable as shelves in shower areas, but can also be integrated into other tiled areas such as tiled kitchen walls. (Product data sheet 17.1)



i
Also suitable for retrofit installation



Schlüter®-SHELF-E-S3-EB

shelf, FLORAL design, brushed stainless steel

Art. No.	€ / U.	P (Unit)
SE S3 D5 EB	123.77	10

Schlüter®-SHELF-E-S3-EB

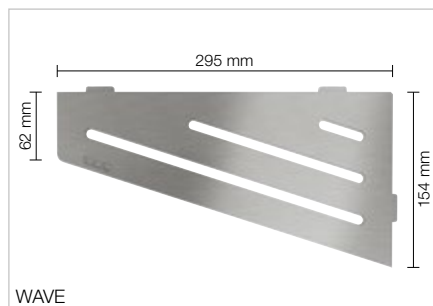
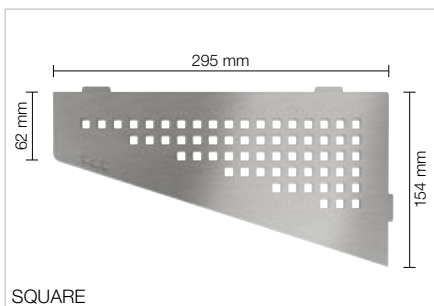
shelf, CURVE design, brushed stainless steel

Art. No.	€ / U.	P (Unit)
SE S3 D6 EB	117.25	10

Schlüter®-SHELF-E-S3-EB

shelf, PURE design, brushed stainless steel

Art. No.	€ / U.	P (Unit)
SE S3 D7 EB	122.23	10



Schlüter®-SHELF-E-S3-EB

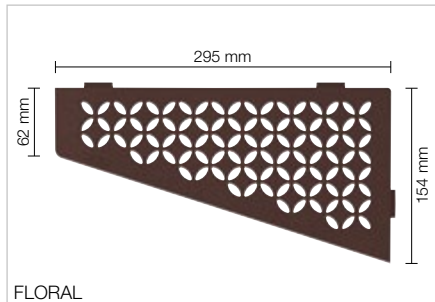
shelf, SQUARE design, brushed stainless steel

Art. No.	€ / U.	P (Unit)
SE S3 D3 EB	122.23	10

Schlüter®-SHELF-E-S3-EB

shelf, WAVE design, brushed stainless steel

Art. No.	€ / U.	P (Unit)
SE S3 D10 EB	122.23	10

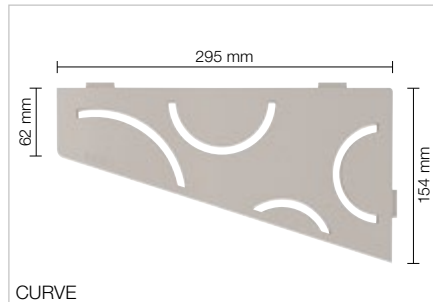


FLORAL

Schlüter®-SHELF-E-S3-AC

shelf, FLORAL design,
colour coated aluminium

Art. No.	€ / U.	P (Unit)
SE S3 D5 ...*	87.46	10

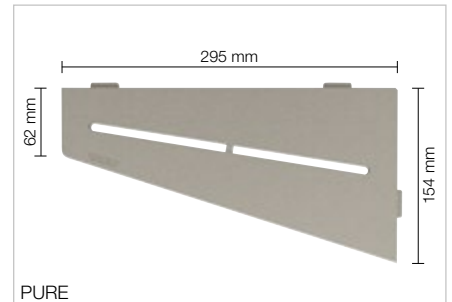


CURVE

Schlüter®-SHELF-E-S3-AC

shelf, CURVE design,
colour coated aluminium

Art. No.	€ / U.	P (Unit)
SE S3 D6 ...*	81.12	10



PURE

Schlüter®-SHELF-E-S3-AC

shelf, PURE design,
colour coated aluminium

Art. No.	€ / U.	P (Unit)
SE S3 D7 ...*	87.64	10

Schlüter®-SHELF-E-S3-TS

shelf, FLORAL design,
textured aluminium

Art. No.	€ / U.	P (Unit)
SE S3 D5 ...**	95.07	10

Schlüter®-SHELF-E-S3-TS

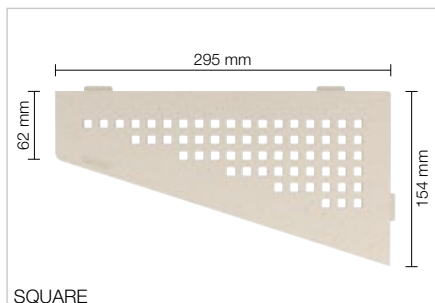
shelf, CURVE design,
textured aluminium

Art. No.	€ / U.	P (Unit)
SE S3 D6 ...**	88.73	10

Schlüter®-SHELF-E-S3-TS

shelf, PURE design,
textured aluminium

Art. No.	€ / U.	P (Unit)
SE S3 D7 ...**	93.90	10

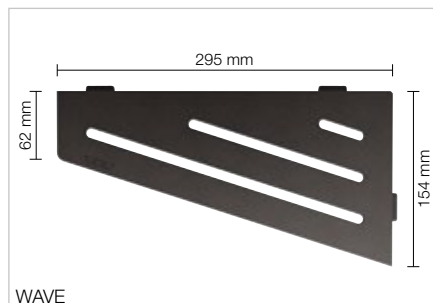


SQUARE

Schlüter®-SHELF-E-S3-AC

shelf, SQUARE design,
colour coated aluminium

Art. No.	€ / U.	P (Unit)
SE S3 D3 ...*	87.64	10



WAVE

Schlüter®-SHELF-E-S3-AC

shelf, WAVE design,
colour coated aluminium

Art. No.	€ / U.	P (Unit)
SE S3 D10 ...*	87.64	10

Schlüter®-SHELF-E-S3-TS

shelf, SQUARE design,
textured aluminium

Art. No.	€ / U.	P (Unit)
SE S3 D3 ...**	93.90	10

Schlüter®-SHELF-E-S3-TS

shelf, WAVE design,
textured aluminium

Art. No.	€ / U.	P (Unit)
SE S3 D10 ...**	93.90	10

Available finishes | colours



For an overview of finishes and colours, please see pages 143-144.

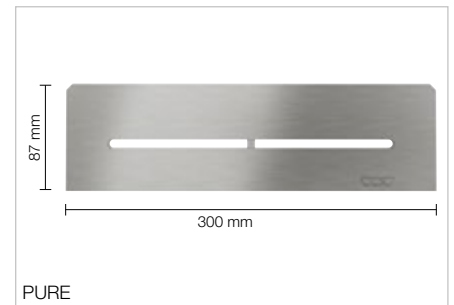
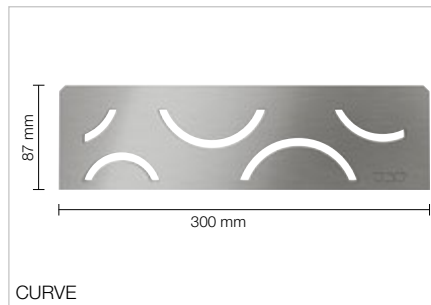
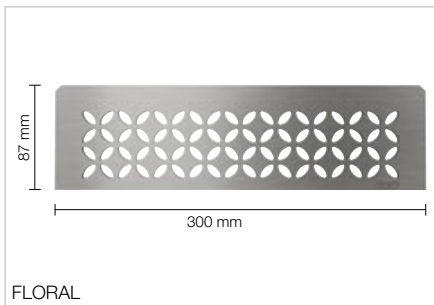
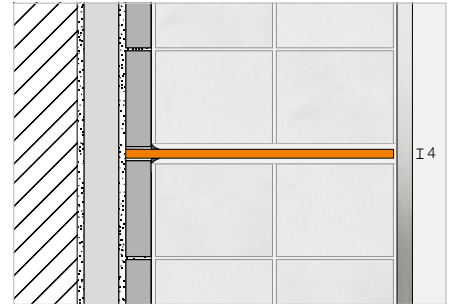


Shelf

Schlüter®-SHELF-N



Schlüter-SHELF-N are rectangular shelves for use in prefabricated Schlüter-KERDI-BOARD-N niches. They are available in the design variants FLORAL, CURVE, PURE, SQUARE and WAVE, in the finish choices brushed stainless steel or TRENDLINE powder coated aluminium. They are precisely fitted as a shelf in KERDI-BOARD niches during tile installation. (Product data sheet 17.1)



Schlüter®-SHELF-N-S1-EB

shelf, FLORAL design, brushed stainless steel

Art. No.	€ / U.	P (Unit)
SN S1 D5 EB	115.30	10

Schlüter®-SHELF-N-S1-EB

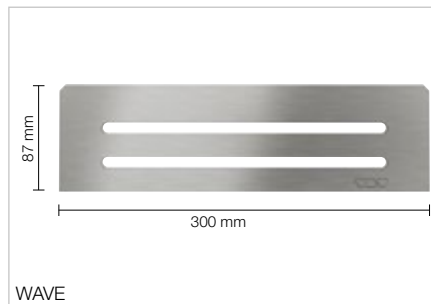
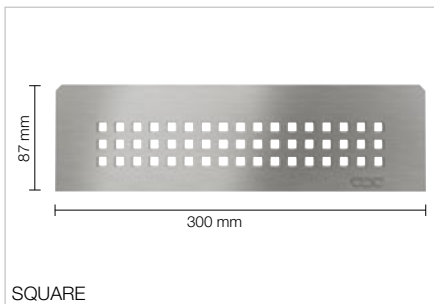
shelf, CURVE design, brushed stainless steel

Art. No.	€ / U.	P (Unit)
SN S1 D6 EB	107.47	10

Schlüter®-SHELF-N-S1-EB

shelf, PURE design, brushed stainless steel

Art. No.	€ / U.	P (Unit)
SN S1 D7 EB	115.79	10



Schlüter®-SHELF-N-S1-EB

shelf, SQUARE design, brushed stainless steel

Art. No.	€ / U.	P (Unit)
SN S1 D3 EB	115.79	10

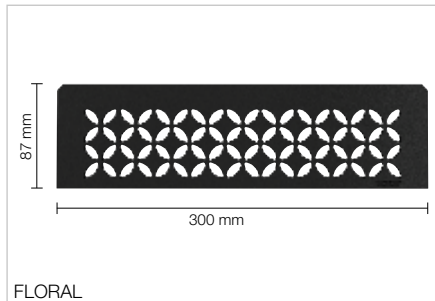
Schlüter®-SHELF-N-S1-EB

shelf, WAVE design, brushed stainless steel

Art. No.	€ / U.	P (Unit)
SN S1 D10 EB	115.79	10

Note:

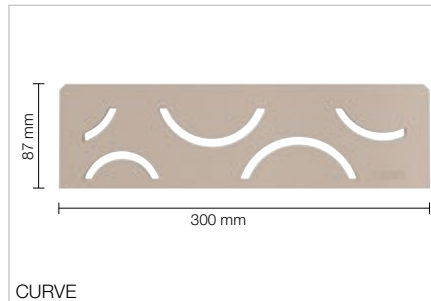
You can find more information about Schlüter-KERDI-BOARD-N niches on page 42–46.



FLORAL

Schlüter®-SHELF-N-S1-ACshelf, FLORAL design,
colour coated aluminium

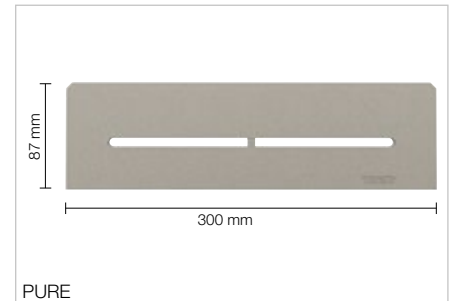
Art. No.	€ / U.	P (Unit)
SN S1 D5 ...*	81.12	10



CURVE

Schlüter®-SHELF-N-S1-ACshelf, CURVE design,
colour coated aluminium

Art. No.	€ / U.	P (Unit)
SN S1 D6 ...*	69.72	10



PURE

Schlüter®-SHELF-N-S1-ACshelf, PURE design,
colour coated aluminium

Art. No.	€ / U.	P (Unit)
SN S1 D7 ...*	83.25	10

Schlüter®-SHELF-N-S1-TSshelf, FLORAL design,
textured aluminium

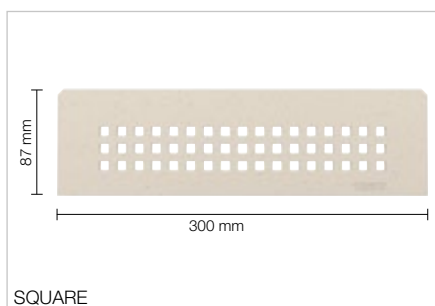
Art. No.	€ / U.	P (Unit)
SN S1 D5 ...**	88.73	10

Schlüter®-SHELF-N-S1-TSshelf, CURVE design,
textured aluminium

Art. No.	€ / U.	P (Unit)
SN S1 D6 ...**	76.06	10

Schlüter®-SHELF-N-S1-TSshelf, PURE design,
textured aluminium

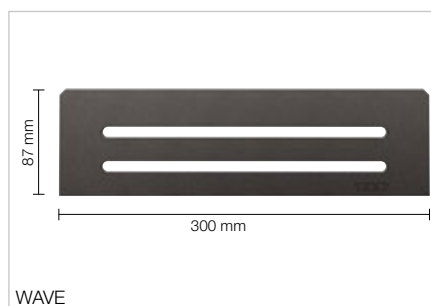
Art. No.	€ / U.	P (Unit)
SN S1 D7 ...**	89.51	10



SQUARE

Schlüter®-SHELF-N-S1-ACshelf, SQUARE design,
colour coated aluminium

Art. No.	€ / U.	P (Unit)
SN S1 D3 ...*	83.25	10



WAVE

Schlüter®-SHELF-N-S1-ACshelf, WAVE design,
colour coated aluminium

Art. No.	€ / U.	P (Unit)
SN S1 D10 ...*	83.25	10

Schlüter®-SHELF-N-S1-TSshelf, SQUARE design,
textured aluminium

Art. No.	€ / U.	P (Unit)
SN S1 D3 ...**	89.51	10

Schlüter®-SHELF-N-S1-TSshelf, WAVE design,
textured aluminium

Art. No.	€ / U.	P (Unit)
SN S1 D10 ...**	89.51	10

Available finishes | colours

For an overview of finishes and colours, please see pages 143-144.



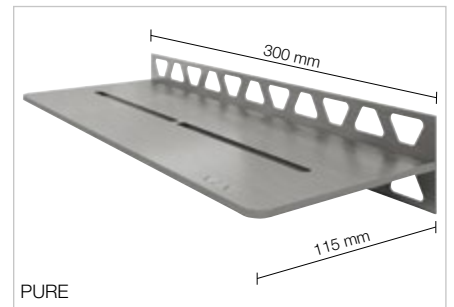
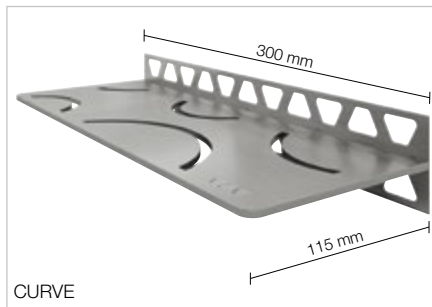
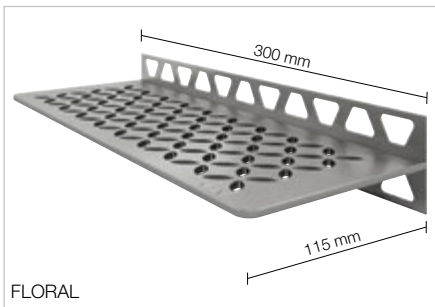
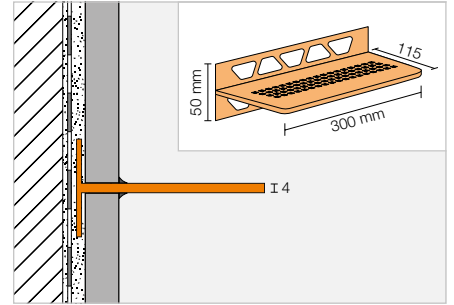
Shelf

Schlüter®-SHELF-W



Schlüter-SHELF-W are rectangular shelves for wall surfaces. They are available in the design variants FLORAL, CURVE, PURE, SQUARE and WAVE in the finish choices brushed stainless steel or TRENDLINE powder coated aluminium. Their trapezoid perforated anchoring legs are integrated into the tile assembly during tile installation. They are suitable as shelves in shower areas, but can also be integrated into other tiled areas such as tiled kitchen walls.

(Product data sheet 17.1)



Schlüter®-SHELF-W-S1-EB

shelf, FLORAL design,
brushed stainless steel

Art. No.	€ / U.	P (Unit)
SW S1 D5 EB	156.34	10

Schlüter®-SHELF-W-S1-EB

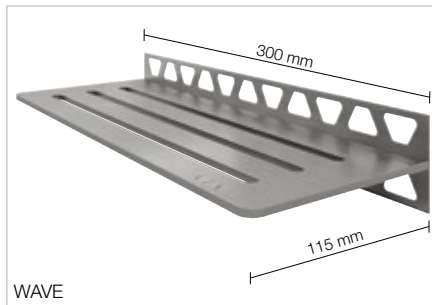
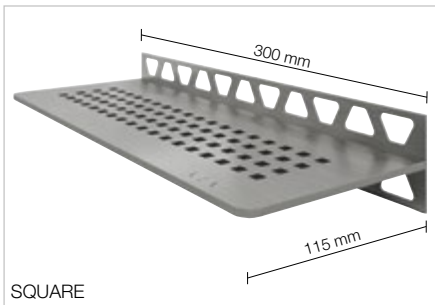
shelf, CURVE design,
brushed stainless steel

Art. No.	€ / U.	P (Unit)
SW S1 D6 EB	143.31	10

Schlüter®-SHELF-W-S1-EB

shelf, PURE design,
brushed stainless steel

Art. No.	€ / U.	P (Unit)
SW S1 D7 EB	160.84	10



Schlüter®-SHELF-W-S1-EB

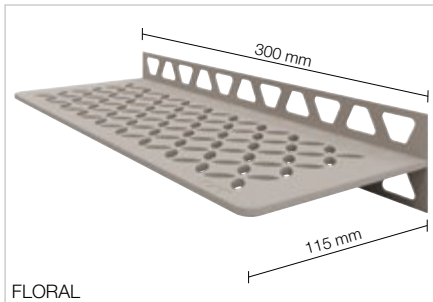
shelf, SQUARE design,
brushed stainless steel

Art. No.	€ / U.	P (Unit)
SW S1 D3 EB	160.84	10

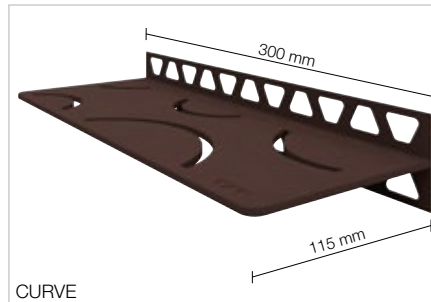
Schlüter®-SHELF-W-S1-EB

shelf, WAVE design,
brushed stainless steel

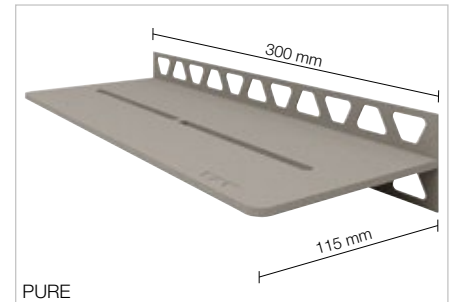
Art. No.	€ / U.	P (Unit)
SW S1 D10 EB	160.84	10



FLORAL



CURVE



PURE

Schlüter®-SHELF-W-S1-AC

shelf, FLORAL design,
colour coated aluminium

Art. No.	€ / U.	P (Unit)
SW S1 D5 ...*	117.25	10

Schlüter®-SHELF-W-S1-AC

shelf, CURVE design,
colour coated aluminium

Art. No.	€ / U.	P (Unit)
SW S1 D6 ...*	104.57	10

Schlüter®-SHELF-W-S1-AC

shelf, PURE design,
colour coated aluminium

Art. No.	€ / U.	P (Unit)
SW S1 D7 ...*	118.94	10

Schlüter®-SHELF-W-S1-TS

shelf, FLORAL design,
textured aluminium

Art. No.	€ / U.	P (Unit)
SW S1 D5 ...**	124.86	10

Schlüter®-SHELF-W-S1-TS

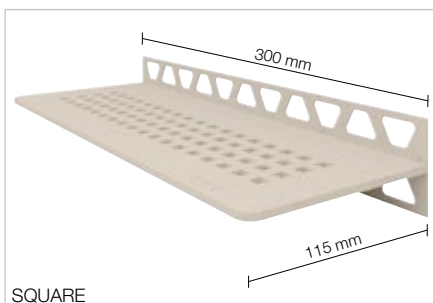
shelf, CURVE design,
textured aluminium

Art. No.	€ / U.	P (Unit)
SW S1 D6 ...**	112.19	10

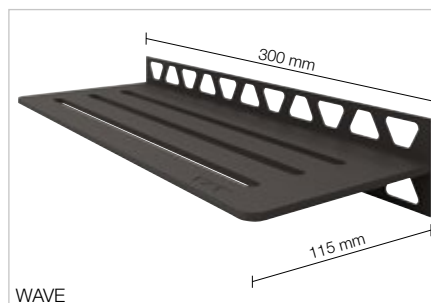
Schlüter®-SHELF-W-S1-TS

shelf, PURE design,
textured aluminium

Art. No.	€ / U.	P (Unit)
SW S1 D7 ...**	125.19	10



SQUARE



WAVE

Schlüter®-SHELF-W-S1-AC

shelf, SQUARE design,
colour coated aluminium

Art. No.	€ / U.	P (Unit)
SW S1 D3 ...*	118.94	10

Schlüter®-SHELF-W-S1-AC

shelf, WAVE design,
colour coated aluminium

Art. No.	€ / U.	P (Unit)
SW S1 D10 ...*	118.94	10

Schlüter®-SHELF-W-S1-TS

shelf, SQUARE design,
textured aluminium

Art. No.	€ / U.	P (Unit)
SW S1 D3 ...**	125.19	10

Schlüter®-SHELF-W-S1-TS

shelf, WAVE design,
textured aluminium

Art. No.	€ / U.	P (Unit)
SW S1 D10 ...**	125.19	10

Available finishes | colours



For an overview of finishes and colours, please see pages 143-144.



Schlüter-profiles

Edge profiles for floor coverings

Profiles, such as the original Schlüter-SCHIENE, finish tiled surfaces and protect the external edges of ceramic tile and natural stone coverings from mechanical impact. The profiles of the Schlüter-RENO range create a smooth transition between adjoining floor coverings. All our floor finishing profiles contribute to the lasting aesthetic appeal of floor coverings.



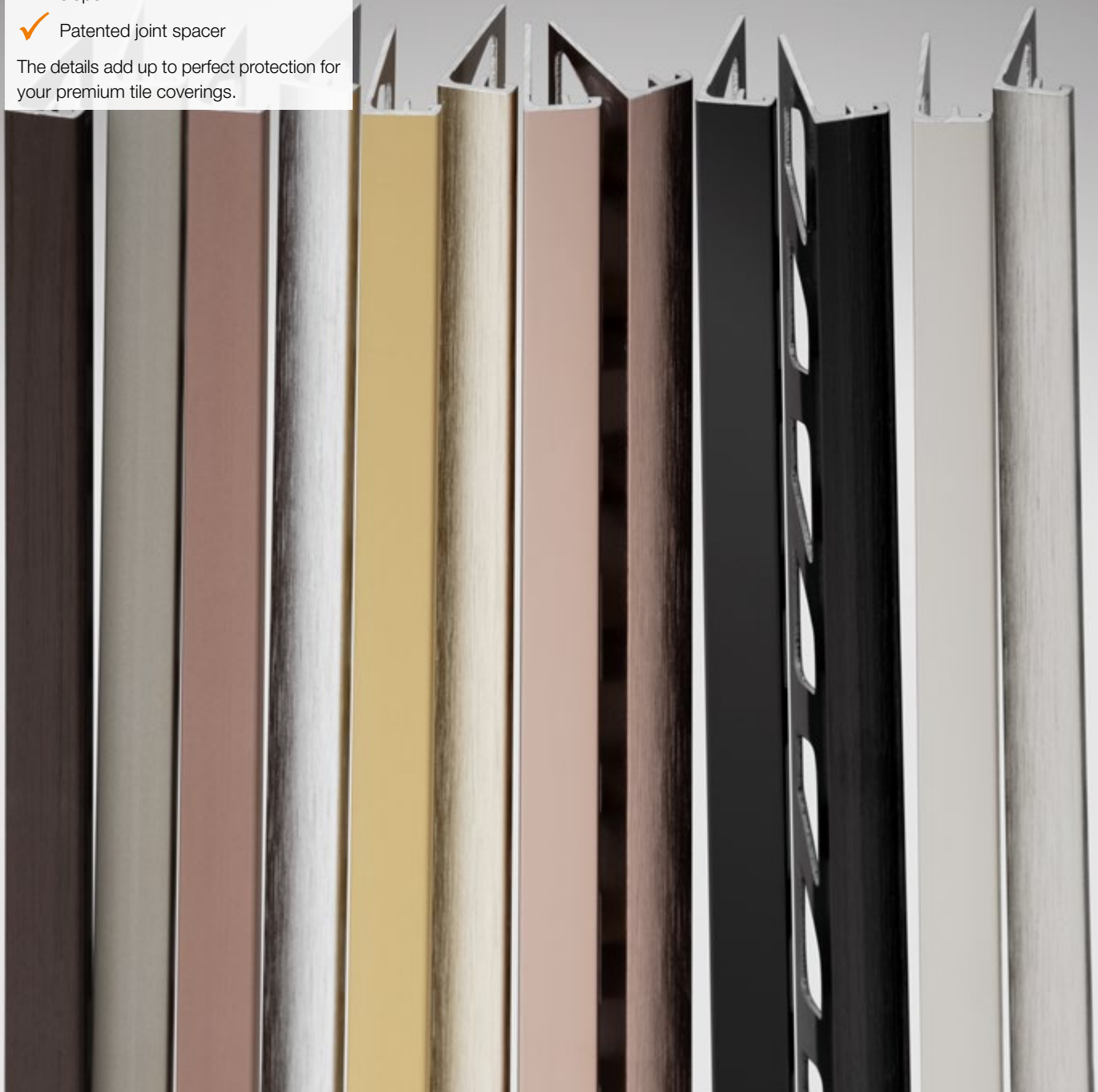
Schlüter®-SCHIENE

The details make the difference

Schlüter-SCHIENE is rightfully considered a classic among finishing profiles. Its intelligent design is still the best example of the professional detail Schlüter-Systems is known for..

- ✓ 87 degree angled finishing leg for optimum load transfer
- ✓ Cove shape for high flexural strength
- ✓ Reinforced header with 5 degree slope
- ✓ Patented joint spacer

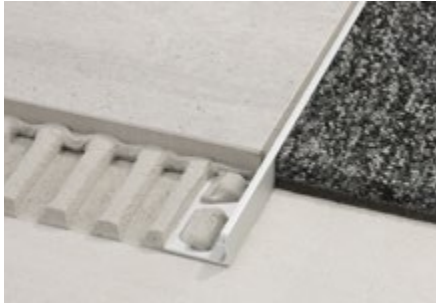
The details add up to perfect protection for your premium tile coverings.





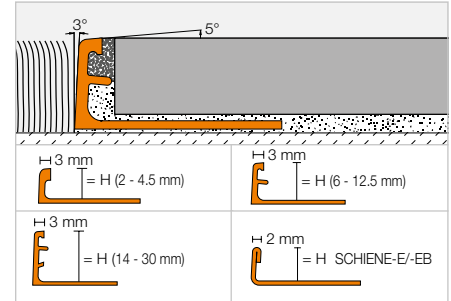
Finishing profile

Schlüter®-SCHIENE



Schlüter-SCHIENE is a special profile for finishing and protecting the edges of tiled surfaces. It is also ideally suited for use with other covering materials and applications. The joint spacer creates a uniform grout joint with the tile. Schlüter-SCHIENE-E does not have a joint spacer.

(Product data sheet 1.1)



Schlüter®-SCHIENE-M



brass

H (mm)	L = 2.50 m Art. No.	€ / m	KV (Unit)
–	–	–	–
3	M 30	9.38	120
4.5	M 45	9.38	120
6	M 60	9.52	120
–	–	–	–
8	M 80	10.13	120
9	M 90	10.50	120
10	M 100	10.67	120
11	M 110	11.56	120
12.5	M 125	11.79	120
–	–	–	–
15	M 150	12.67	120
16	M 160	13.78	120
17.5	M 175	14.07	120
20	M 200	14.81	120
–	–	–	–
22.5	M 225	17.44	120
25	M 250	18.54	120
–	–	–	–
30	M 300	20.52	120
	L = 1.00 m		
4.5	M 45/100	9.97	240
6	M 60/100	10.13	240
8	M 80/100	10.74	240
10	M 100/100	11.29	240
12.5	M 125/100	12.39	240
15	M 150/100	13.27	240

Schlüter®-SCHIENE-A



aluminium

H (mm)	L = 2.50 m Art. No.	€ / m	KV (Unit)
2	A 20	3.92	120
3	A 30	3.92	120
4.5	A 45	3.92	120
6	A 60	3.92	120
7	A 70	4.00	120
8	A 80	4.07	120
9	A 90	4.14	120
10	A 100	4.22	120
11	A 110	4.52	120
12.5	A 125	4.77	120
14	A 140	5.11	120
15	A 150	5.40	120
16	A 160	5.68	120
17.5	A 175	6.01	120
20	A 200	6.18	120
21	A 210	6.52	120
22.5	A 225	6.84	120
25	A 250	7.13	120
27.5	A 275	7.46	120
30	A 300	7.83	120
	L = 1.00 m		
4.5	A 45/100	4.52	240
6	A 60/100	4.52	240
8	A 80/100	4.67	240
10	A 100/100	4.87	240
12.5	A 125/100	5.40	240
15	A 150/100	6.01	240

Schlüter®-SCHIENE-AE



anodised aluminium

H (mm)	L = 2.50 m Art. No.	€ / m	KV (Unit)
2	AE 20	5.40	120
3	AE 30	5.40	120
4.5	AE 45	5.46	120
6	AE 60	5.68	120
7	AE 70	5.84	120
8	AE 80	5.92	120
9	AE 90	6.18	120
10	AE 100	6.31	120
11	AE 110	6.72	120
12.5	AE 125	6.99	120
14	AE 140	7.46	120
15	AE 150	7.70	120
16	AE 160	8.24	120
17.5	AE 175	8.38	120
20	AE 200	9.46	120
21	AE 210	9.90	120
22.5	AE 225	10.05	120
25	AE 250	10.43	120
27.5	AE 275	10.87	120
30	AE 300	11.50	120
	L = 1.00 m		
4.5	AE 45/100	6.02	240
6	AE 60/100	6.23	240
8	AE 80/100	6.52	240
10	AE 100/100	6.93	240
12.5	AE 125/100	7.69	240
15	AE 150/100	8.50	240

Schlüter®-SCHIENE-MC



chrome plated brass

H (mm)	L = 2.50 m Art. No.	€ / m	KV (Unit)
6	MC 60	30.89	120
8	MC 80	32.01	120
10	MC 100	32.39	120
11	MC 110	32.62	120
12.5	MC 125	32.89	120

Note:

Schlüter-SCHIENE-M / -A / -AE profiles in sizes 2 mm, 3 mm and 4.5 mm do not have a joint spacer.

For technical reasons, products that are only one metre in length are not available with radius perforations.

For 3 metre length, add "/300" to art. no. (e.g. M 60/300).

Schlüter®-SCHIENE-E


stainless steel V2A

H (mm)	L = 2.50 m Art. No.	€ / m	KV (Unit)
2	E 20	9.87	120
3	E 30	10.26	120
4.5	E 45	11.10	120
6	E 60	11.47	120
7	E 70	11.76	120
8	E 80	11.86	120
9	E 90	12.23	120
10	E 100	12.46	120
11	E 110	13.16	120
12.5	E 125	13.58	120
14	E 140	14.23	120
15	E 150	14.89	120
16	E 160	15.49	120
17.5	E 175	15.87	120
20	E 200	16.42	120
22.5	E 225	17.17	120
25	E 250	18.08	120
30	E 300	19.15	120
	L = 1.00 m		
6	E 60 / 100	12.15	240
8	E 80 / 100	12.46	240
10	E 100 / 100	13.09	240
11	E 110 / 100	13.80	240
12.5	E 125 / 100	14.25	240

Schlüter®-SCHIENE-E V4A


stainless steel V4A

H (mm)	L = 2.50 m Art. No.	€ / m	KV (Unit)
4.5	E 45/V4A	12.28	120
6	E 60/V4A	12.87	120
8	E 80/V4A	13.11	120
10	E 100/V4A	13.81	120
11	E 110/V4A	14.64	120
12.5	E 125/V4A	15.11	120
14	E 140/V4A	15.81	120
15	E 150/V4A	16.57	120
16	E 160/V4A	17.21	120
17.5	E 175/V4A	17.63	120
20	E 200/V4A	18.23	120
22.5	E 225/V4A	19.12	120
25	E 250/V4A	20.10	120
30	E 300/V4A	21.31	120

Schlüter®-SCHIENE-EB


brushed stainless steel V2A

H (mm)	L = 2.50 m Art. No.	€ / m	KV (Unit)
6	E 60 EB	17.19	120
8	E 80 EB	17.57	120
10	E 100 EB	18.17	120
11	E 110 EB	19.11	120
12.5	E 125 EB	19.33	120

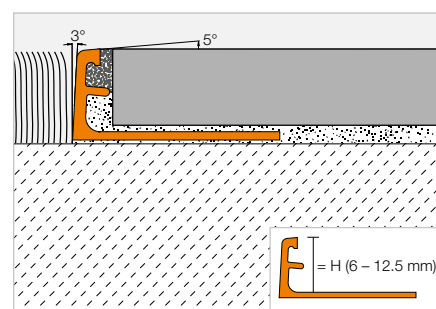
Note:

For technical reasons, products that are only one metre in length are not available with radius perforations.

For 3 metre length, add "/300" to art. no. (e.g. M 60/300).

Finishing profile
Schlüter®-SCHIENE-TS


Schlüter-SCHIENE-TS is a decorative profile made of aluminium with a special textured finish that matches modern tile designs. The 87 degree angled finishing leg safeguards tiles against mechanical damage. The joint spacer creates a uniform grout joint with the tile. (Product data sheet 1.1)


Schlüter®-SCHIENE-TSI


textured natural ivory

H (mm)	L = 2.50 m Art. No.	€ / m	KV (Unit)
6	A 60 TSI	14.50	120
8	A 80 TSI	15.16	120
10	A 100 TSI	15.81	120
11	A 110 TSI	16.14	120
12.5	A 125 TSI	16.47	120

Schlüter®-SCHIENE-TSC


textured natural cream

H (mm)	L = 2.50 m Art. No.	€ / m	KV (Unit)
6	A 60 TSC	14.50	120
8	A 80 TSC	15.16	120
10	A 100 TSC	15.81	120
11	A 110 TSC	16.14	120
12.5	A 125 TSC	16.47	120

Schlüter®-SCHIENE-TSBG


textured natural beige grey

H (mm)	L = 2.50 m Art. No.	€ / m	KV (Unit)
6	A 60 TSBG	14.50	120
8	A 80 TSBG	15.16	120
10	A 100 TSBG	15.81	120
11	A 110 TSBG	16.14	120
12.5	A 125 TSBG	16.47	120



Finishing profile

Schlüter®-SCHIENE-TSB



textured natural beige

H (mm)	L = 2.50 m Art. No.	€ / m	KV (Unit)
6	A 60 TSB	14.50	120
8	A 80 TSB	15.16	120
10	A 100 TSB	15.81	120
11	A 110 TSB	16.14	120
12.5	A 125 TSB	16.47	120

Schlüter®-SCHIENE-TSSG



textured natural stone grey

H (mm)	L = 2.50 m Art. No.	€ / m	KV (Unit)
6	A 60 TSSG	14.50	120
8	A 80 TSSG	15.16	120
10	A 100 TSSG	15.81	120
11	A 110 TSSG	16.14	120
12.5	A 125 TSSG	16.47	120

Schlüter®-SCHIENE-TSG



textured natural grey

H (mm)	L = 2.50 m Art. No.	€ / m	KV (Unit)
6	A 60 TSG	14.50	120
8	A 80 TSG	15.16	120
10	A 100 TSG	15.81	120
11	A 110 TSG	16.14	120
12.5	A 125 TSG	16.47	120

Schlüter®-SCHIENE-TSOB



textured natural bronze

H (mm)	L = 2.50 m Art. No.	€ / m	KV (Unit)
6	A 60 TSOB	14.50	120
8	A 80 TSOB	15.16	120
10	A 100 TSOB	15.81	120
11	A 110 TSOB	16.14	120
12.5	A 125 TSOB	16.47	120

Schlüter®-SCHIENE-TSLA



textured natural light anthracite

H (mm)	L = 2.50 m Art. No.	€ / m	KV (Unit)
6	A 60 TSLA	14.50	120
8	A 80 TSLA	15.16	120
10	A 100 TSLA	15.81	120
11	A 110 TSLA	16.14	120
12.5	A 125 TSLA	16.47	120

Schlüter®-SCHIENE-TSDA



textured natural dark anthracite

H (mm)	L = 2.50 m Art. No.	€ / m	KV (Unit)
6	A 60 TSDA	14.50	120
8	A 80 TSDA	15.16	120
10	A 100 TSDA	15.81	120
11	A 110 TSDA	16.14	120
12.5	A 125 TSDA	16.47	120

Schlüter®-SCHIENE-TSR



textured natural rustic brown

H (mm)	L = 2.50 m Art. No.	€ / m	KV (Unit)
–	–	–	–
–	–	–	–
6	A 60 TSR	14.50	120
8	A 80 TSR	15.16	120
10	A 100 TSR	15.81	120
11	A 110 TSR	16.14	120
12.5	A 125 TSR	16.47	120

Schlüter®-SCHIENE-MBW



colour coated aluminium, matte brilliant white

H (mm)	L = 2.50 m Art. No.	€ / m	KV (Unit)
3	A 30 MBW	7.20	120
4.5	A 45 MBW	7.35	120
6	A 60 MBW	7.50	120
8	A 80 MBW	7.93	120
10	A 100 MBW	8.55	120
11	A 110 MBW	8.79	120
12.5	A 125 MBW	9.12	120

Schlüter®-SCHIENE-MGS



colour coated aluminium, matte graphite black

H (mm)	L = 2.50 m Art. No.	€ / m	KV (Unit)
3	A 30 MGS	7.20	120
4.5	A 45 MGS	7.35	120
6	A 60 MGS	7.50	120
8	A 80 MGS	7.93	120
10	A 100 MGS	8.55	120
11	A 110 MGS	8.79	120
12.5	A 125 MGS	9.12	120

For 3 metre length, add "/300" to art. no. (e.g. A 60 MBW/300).

Available finishes | colours



For an overview of finishes and colours, please see page 143-144.

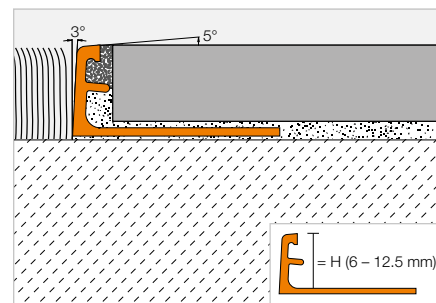
i
The profile is suitable for use in interior spaces with minor mechanical stresses.

Schlüter®-SCHIENE-A



Schlüter-SCHIENE-A is a decorative aluminium profile that is available in a variety of anodised and refined finishes. The 87 degree angled finishing leg safeguards tiles against mechanical damage. The joint spacer creates a uniform grout joint with the tile.

(Product data sheet 1.1)



Schlüter®-SCHIENE-ACG



polished chrome anodised aluminium

H (mm)	L = 2.50 m Art. No.	€ / m	KV (Unit)
6	A 60 ACG	13.89	120
8	A 80 ACG	14.31	120
10	A 100 ACG	14.71	120
11	A 110 ACG	14.92	120
12.5	A 125 ACG	15.16	120

Schlüter®-SCHIENE-ACGB



brushed chrome anodised aluminium

H (mm)	L = 2.50 m Art. No.	€ / m	KV (Unit)
6	A 60 ACGB	13.89	120
8	A 80 ACGB	14.31	120
10	A 100 ACGB	14.71	120
11	A 110 ACGB	14.92	120
12.5	A 125 ACGB	15.16	120

For 3 metre length, add "/300" to art. no.
(e.g. A 60 ACG/300).

Schlüter®-SCHIENE-AM



matte brass anodised aluminium

H (mm)	L = 2.50 m Art. No.	€ / m	KV (Unit)
6	A 60 AM	11.40	120
8	A 80 AM	11.74	120
10	A 100 AM	12.06	120
11	A 110 AM	12.24	120
12.5	A 125 AM	12.44	120

Schlüter®-SCHIENE-AMG



polished brass anodised aluminium

H (mm)	L = 2.50 m Art. No.	€ / m	KV (Unit)
6	A 60 AMG	13.89	120
8	A 80 AMG	14.31	120
10	A 100 AMG	14.71	120
11	A 110 AMG	14.92	120
12.5	A 125 AMG	15.16	120

Schlüter®-SCHIENE-AMGB



brushed brass anodised aluminium

H (mm)	L = 2.50 m Art. No.	€ / m	KV (Unit)
6	A 60 AMGB	13.89	120
8	A 80 AMGB	14.31	120
10	A 100 AMGB	14.71	120
11	A 110 AMGB	14.92	120
12.5	A 125 AMGB	15.16	120

Schlüter®-SCHIENE-AK



matte copper/bronze anodised aluminium

H (mm)	L = 2.50 m Art. No.	€ / m	KV (Unit)
6	A 60 AK	11.40	120
8	A 80 AK	11.74	120
10	A 100 AK	12.06	120
11	A 110 AK	12.24	120
12.5	A 125 AK	12.44	120

Schlüter®-SCHIENE-AKG



polished copper/bronze anodised aluminium

H (mm)	L = 2.50 m Art. No.	€ / m	KV (Unit)
6	A 60 AKG	13.89	120
8	A 80 AKG	14.31	120
10	A 100 AKG	14.71	120
11	A 110 AKG	14.92	120
12.5	A 125 AKG	15.16	120

Schlüter®-SCHIENE-AKGB



brushed copper/bronze anodised aluminium

H (mm)	L = 2.50 m Art. No.	€ / m	KV (Unit)
6	A 60 AKGB	13.89	120
8	A 80 AKGB	14.31	120
10	A 100 AKGB	14.71	120
11	A 110 AKGB	14.92	120
12.5	A 125 AKGB	15.16	120

Schlüter®-SCHIENE-AT



matte titanium anodised aluminium

H (mm)	L = 2.50 m Art. No.	€ / m	KV (Unit)
6	A 60 AT	11.40	120
8	A 80 AT	11.74	120
10	A 100 AT	12.06	120
11	A 110 AT	12.24	120
12.5	A 125 AT	12.44	120

Schlüter®-SCHIENE-ATG



polished titanium anodised aluminium

H (mm)	L = 2.50 m Art. No.	€ / m	KV (Unit)
6	A 60 ATG	13.89	120
8	A 80 ATG	14.31	120
10	A 100 ATG	14.71	120
11	A 110 ATG	14.92	120
12.5	A 125 ATG	15.16	120

Schlüter®-SCHIENE-ATGB



brushed titanium anodised aluminium

H (mm)	L = 2.50 m Art. No.	€ / m	KV (Unit)
6	A 60 ATGB	13.89	120
8	A 80 ATGB	14.31	120
10	A 100 ATGB	14.71	120
11	A 110 ATGB	14.92	120
12.5	A 125 ATGB	15.16	120



Finishing profile

Schlüter®-SCHIENE-ABGB



brushed antique bronze anodised aluminium

H (mm)	L = 2.50 m Art. No.	€ / m	KV (Unit)
6	A 60 ABGB	13.89	120
8	A 80 ABGB	14.31	120
10	A 100 ABGB	14.71	120
11	A 110 ABGB	14.92	120
12.5	A 125 ABGB	15.16	120

Schlüter®-SCHIENE-AGRB



brushed chrome graphite anodised aluminium

H (mm)	L = 2.50 m Art. No.	€ / m	KV (Unit)
6	A 60 AGRB	13.89	120
8	A 80 AGRB	14.31	120
10	A 100 AGRB	14.71	120
11	A 110 AGRB	14.92	120
12.5	A 125 AGRB	15.16	120

Schlüter®-SCHIENE-AGSG



polished chrome black anodised aluminium

H (mm)	L = 2.50 m Art. No.	€ / m	KV (Unit)
6	A 60 AGSG	13.89	120
8	A 80 AGSG	14.31	120
10	A 100 AGSG	14.71	120
11	A 110 AGSG	14.92	120
12.5	A 125 AGSG	15.16	120

For an overview of finishes and colours, please see page 142.

i

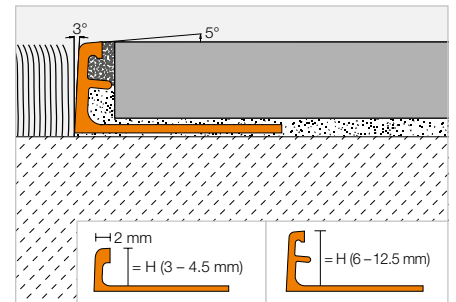
The profile is suitable for use in interior spaces with minor mechanical stresses.

Finishing profile

Schlüter®-SCHIENE-AC



Schlüter-SCHIENE-AC is a decorative profile made of colour coated aluminium. The 87 degree angled finishing leg safeguards tiles against mechanical damage. The joint spacer creates a uniform grout joint with the tile.
(Product data sheet 1.1)



Schlüter®-SCHIENE-AC



colour coated aluminium

H (mm)	L = 2.50 m Art. No.	€ / m	KV (Unit)
3	A 30 ...*	7.20	120
4.5	A 45 ...*	7.35	120
6	A 60 ...*	7.50	120
8	A 80 ...*	7.93	120
10	A 100 ...*	8.55	120
11	A 110 ...*	8.79	120
12.5	A 125 ...*	9.12	120

i

The profile is suitable for use in interior spaces with minor mechanical stresses.

For 3 metre length, add "/300" to art. no. (e.g. A 60 GS/300).

To complete the art. no., add the colour (e.g. A 30 BW)

BH BW G GM GS HB HG MBW MGS PG RB SB W

* Colours L = 2.50 m: BH - BW - G - GM - GS - HB - HG - MBW - MGS - PG - RB - SB - W

Colours L = 3.00 m: BW - GS - MBW - PG - W

For an overview of finishes and colours, please see pages 143-144.

Schlüter®-SCHIENE-ES

By far the best

- ✓ Consistent exact joint patterns
- ✓ Quick and precise installation
- ✓ Separation of tile adhesive and grout
- ✓ The only stainless steel profile with a joint spacer
- ✓ Proven and patented joint spacer technology
- ✓ Available in “stainless steel” and “brushed stainless steel” finishes
- ✓ The joint spacer – discover the difference



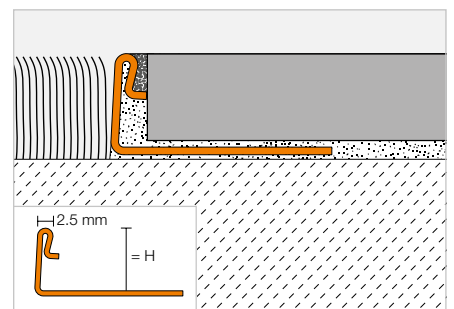
Finishing profile

Schlüter®-SCHIENE-ES



Schlüter-SCHIENE-ES is a stainless steel finishing profile for ceramic tile and natural stone coverings. It features an integrated joint spacer that defines a joint chamber with the covering material.

(Product data sheet 1.1)



Schlüter®-SCHIENE-ES



stainless steel V2A with joint spacer

H (mm)		L = 2.50 m Art. No.	€ / m	KV (Unit)
8	⊗	ES 80	11.86	120
10	⊗	ES 100	12.46	120
11	⊗	ES 110	13.16	120
12.5	⊗	ES 125	13.58	120
L = 1.00 m				
8		ES 80 / 100	12.46	240
10		ES 100 / 100	13.09	240
11		ES 110 / 100	13.80	240
12.5		ES 125 / 100	14.25	240

Schlüter®-SCHIENE-ES-EB



brushed stainless steel V2A with joint spacer

H (mm)		L = 2.50 m Art. No.	€ / m	KV (Unit)
8	⊗	ES 80 EB	17.57	120
10	⊗	ES 100 EB	18.17	120
11	⊗	ES 110 EB	19.11	120
12.5	⊗	ES 125 EB	19.33	120

For 3 metre length, add “/300” to art. no.
(e.g. ES 80/300).

Note:

For technical reasons, products that are only one metre in length are not available with radius perforations.

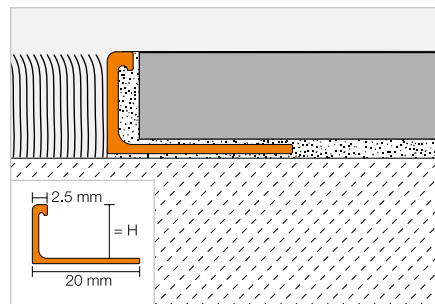


Finishing profile

Schlüter®-SCHIENE-BASIC



Schlüter-SCHIENE-BASIC is a finishing profile for tile coverings or other rigid covering materials with a right angled transition from the anchoring leg to the finishing leg and a right angle head design.



Schlüter®-SCHIENE-BASIC-M

brass

H (mm)	L = 2.50 m Art. No.	€ / m	KV (Unit)
–	–	–	–
8	MBS 80	8.94	120
10	MBS 100	9.45	120
–	–	–	–
12.5	MBS 125	10.24	120
L = 1.00 m			
–	–	–	–
8	MBS 80/100	9.52	240
10	MBS 100/100	10.02	240
–	–	–	–
12.5	MBS 125/100	10.82	240

Schlüter®-SCHIENE-BASIC-A

aluminium

H (mm)	L = 2.50 m Art. No.	€ / m	KV (Unit)
6	ABS 60	3.28	120
8	ABS 80	3.46	120
10	ABS 100	3.76	120
11	ABS 110	3.93	120
12.5	ABS 125	4.07	120
L = 1.00 m			
6	ABS 60/100	3.92	240
8	ABS 80/100	4.07	240
10	ABS 100/100	4.36	240
11	ABS 110/100	4.50	240
12.5	ABS 125/100	4.67	240

Schlüter®-SCHIENE-BASIC-AE

anodised aluminium

H (mm)	L = 2.50 m Art. No.	€ / m	KV (Unit)
6	AEBS 60	4.87	120
8	AEBS 80	5.11	120
10	AEBS 100	5.33	120
11	AEBS 110	5.52	120
12.5	AEBS 125	5.77	120

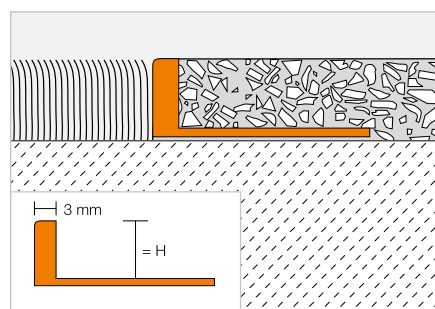
For 3 metre length, add "/300" to art. no. (e.g. ABS 60/300).

Finishing profile

Schlüter®-SCHIENE-V



Schlüter-SCHIENE-V is a finishing profile for wooden floors or other rigid covering materials such as terrazzo, with a right angled transition from the anchoring leg to the finishing leg. The evenly shaped finishing leg allows for grinding of the covering.



Schlüter®-SCHIENE-AV

aluminium

H (mm)	L = 2.50 m Art. No.	€ / m	KV (Unit)
10	A 100 V	6.14	120
12.5	A 125 V	6.28	120
26	A 260 V	9.17	120

Schlüter®-RENO-V

Transition profile with variable anchoring leg



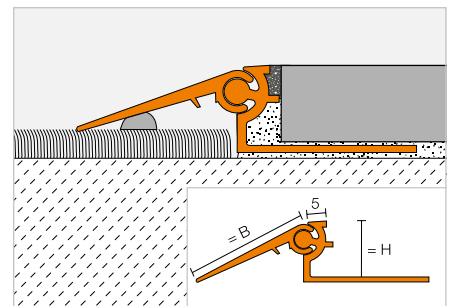
- ✓ Prevents trip hazards
- ✓ Hinged anchoring leg for variable adjustment
- ✓ Protects the edges of the covering
- ✓ Neatly covers carpet or vinyl edges
- ✓ Available in six profile heights and three leg widths
- ✓ Support profile and anchoring leg can be individually combined

Transition profile

Schlüter®-RENO-V



Schlüter-RENO-V is a profile with a variable transition leg for smoothly joining floor coverings of different heights. The joint spacer creates a uniform grout joint with the tile.
(Product data sheet 1.7)



Schlüter®-RENO-AV

aluminium

H (mm)	L = 2.50 m Art. No.	€ / m	KV (Unit)
8	AVT 80 B20	15.15	40
10	AVT 100 B20	15.52	40
12.5	AVT 125 B30	15.53	40
15	AVT 150 B30	17.68	40
17.5	AVT 175 B40	20.47	40
20	AVT 200 B40	21.08	40
	L = 1.00 m		
8	AVT 80 B20/100	16.47	60
10	AVT 100 B20/100	16.78	60
12.5	AVT 125 B30/100	18.85	60
15	AVT 150 B30/100	19.05	60
17.5	AVT 175 B40/100	21.80	60
20	AVT 200 B40/100	22.49	60

Schlüter®-RENO-AEV

anodised aluminium

H (mm)	L = 2.50 m Art. No.	€ / m	KV (Unit)
8	AEVT 80 B20	23.37	40
10	AEVT 100 B20	23.80	40
12.5	AEVT 125 B30	25.95	40
15	AEVT 150 B30	26.58	40
17.5	AEVT 175 B40	29.70	40
20	AEVT 200 B40	31.18	40
	L = 1.00 m		
8	AEVT 80 B20/100	24.68	60
10	AEVT 100 B20/100	25.15	60
12.5	AEVT 125 B30/100	27.33	60
15	AEVT 150 B30/100	27.81	60
17.5	AEVT 175 B40/100	30.97	60
20	AEVT 200 B40/100	32.54	60



Transition profile

Schlüter®-RENO-VT

Schlüter-RENO-VT is the support profile for the variable transition leg Schlüter-RENO-VB. Both products can be combined in both lengths.

(Product data sheet 1.7)

Schlüter®-RENO-AVT

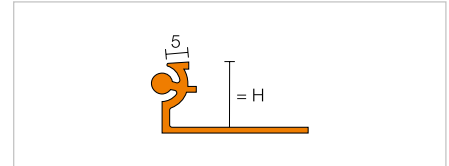
floor support profile, aluminium

H (mm)	L = 2.50 m Art. No.	€ / m	KV (Unit)
8	AVT 80	7.62	60
10	AVT 100	8.03	60
12.5	AVT 125	8.45	60
15	AVT 150	8.67	60
17.5	AVT 175	9.05	60
20	AVT 200	9.72	60

Schlüter®-RENO-AEVT

floor support profile, anodised aluminium

H (mm)	L = 2.50 m Art. No.	€ / m	KV (Unit)
8	AEVT 80	10.18	60
10	AEVT 100	10.69	60
12.5	AEVT 125	11.22	60
15	AEVT 150	11.85	60
17.5	AEVT 175	12.37	60
20	AEVT 200	14.02	60



Prices for Schlüter-RENO-VT and -VB in lengths of 1 m are available upon request (please indicate art. no., e.g. AVT 80/100).

Transition profile

Schlüter®-RENO-VB

Schlüter-RENO-VB is the variable transition leg that can be combined with the support profile Schlüter-RENO-VT in all sizes.

(Product data sheet 1.7)

Schlüter®-RENO-AVB

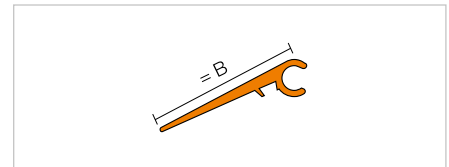
aluminium

B (mm)	L = 2.50 m Art. No.	€ / m	KV (Unit)
20	AVB 20	3.97	60
30	AVB 30	5.51	60
40	AVB 40	8.12	60

Schlüter®-RENO-AEVB

anodised aluminium

B (mm)	L = 2.50 m Art. No.	€ / m	KV (Unit)
20	AEVB 20	9.91	60
30	AEVB 30	11.58	60
40	AEVB 40	14.29	60



Prices for Schlüter-RENO-VT and -VB in lengths of 1 m are available upon request (please indicate art. no., e.g. AVT 80/100).

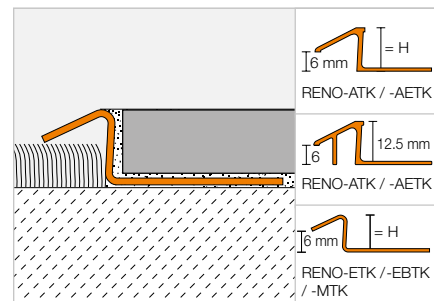
Transition profile

Schlüter®-RENO-TK



Schlüter-RENO-TK provides a smooth transition between tiled surfaces and adjoining carpeting or other coverings of a lower height. In addition, it effectively protects the edges of the adjacent floor coverings.

(Product data sheet 1.4)



Schlüter®-RENO-MTK



brass

H (mm)	L = 2.50 m Art. No.	€ / m	KV (Unit)
8	MTK 80	15.06	60
10	MTK 100	16.30	60
12.5	MTK 125	22.06	60
L = 1.00 m			
8	MTK 80/100	15.72	60
10	MTK 100/100	16.95	60
12.5	MTK 125/100	22.65	60

Schlüter®-RENO-ATK



aluminium

H (mm)	L = 2.50 m Art. No.	€ / m	KV (Unit)
8	ATK 80	6.11	60
10	ATK 100	6.52	60
12.5	ATK 125	8.67	60
L = 1.00 m			
8	ATK 80/100	6.80	60
10	ATK 100/100	7.25	60
12.5	ATK 125/100	9.33	60

Schlüter®-RENO-AETK



anodised aluminium

H (mm)	L = 2.50 m Art. No.	€ / m	KV (Unit)
8	AETK 80	9.40	60
10	AETK 100	9.79	60
12.5	AETK 125	11.58	60
L = 1.00 m			
8	AETK 80/100	10.11	60
10	AETK 100/100	10.51	60
12.5	AETK 125/100	12.26	60

Schlüter®-RENO-ETK

stainless steel V2A

H (mm)	L = 2.50 m Art. No.	€ / m	KV (Unit)
8	ETK 80	16.06	60
10	ETK 100	18.17	60
11	ETK 110	19.77	60
12.5	ETK 125	20.69	60
L = 1.00 m			
8	ETK 80/100	16.97	60
10	ETK 100/100	19.08	60
11	ETK 110/100	20.72	60
12.5	ETK 125/100	21.58	60

Schlüter®-RENO-EBTK

brushed stainless steel V2A

H (mm)	L = 2.50 m Art. No.	€ / m	KV (Unit)
8	EBTK 80	20.87	60
10	EBTK 100	23.66	60
11	EBTK 110	25.56	60
12.5	EBTK 125	26.89	60
L = 1.00 m			
8	EBTK 80/100	21.80	60
10	EBTK 100/100	24.61	60
11	EBTK 110/100	26.58	60
12.5	EBTK 125/100	27.82	60

Note:

For technical reasons, products that are only one metre in length are not available with radius perforations.



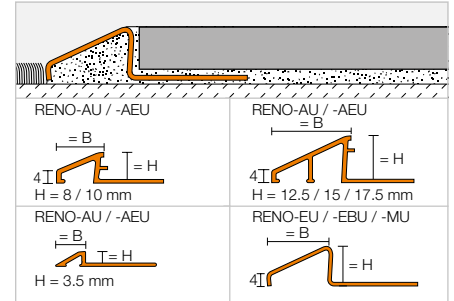
Transition profile

Schlüter®-RENO-U



Schlüter-RENO-U is a profile for creating stepless transitions between floor coverings of different heights. The joint spacer creates a uniform grout joint with the tile. Schlüter-RENO-EU, -EBU and -MU do not have a joint spacer.

(Product data sheet 1.2)



Schlüter®-RENO-MU

brass

H (mm)	B (mm)	L = 2.50 m Art. No.	€ / m	KV (Unit)
–	–	–	–	–
8	12.5	MU 80	17.99	60
10	16.5	MU 100	20.17	60
12.5	22	MU 125	26.67	60
15	27.5	MU 150	29.51	60
–	–	–	–	–
L = 1.00 m				
8	12.5	MU 80/100	18.95	60
10	16.5	MU 100/100	21.08	60
12.5	22	MU 125/100	27.61	60

Schlüter®-RENO-AU

aluminium

H (mm)	B (mm)	L = 2.50 m Art. No.	€ / m	KV (Unit)
3.5	9	AU 35	6.77	60
8	12.5	AU 80	7.01	60
10	16.5	AU 100	7.80	60
12.5	22	AU 125	10.02	60
15	27.5	AU 150	11.22	60
17.5	27	AU 175	12.57	60
L = 1.00 m				
8	12.5	AU 80/100	8.03	60
10	16.5	AU 100/100	8.75	60
12.5	22	AU 125/100	10.96	60

Schlüter®-RENO-AEU

anodised aluminium

H (mm)	B (mm)	L = 2.50 m Art. No.	€ / m	KV (Unit)
3.5	9	AEU 35	9.55	60
8	12.5	AEU 80	10.25	60
10	16.5	AEU 100	11.22	60
12.5	22	AEU 125	13.63	60
15	27.5	AEU 150	15.21	60
17.5	27	AEU 175	16.47	60
L = 1.00 m				
8	12.5	AEU 80/100	11.22	60
10	16.5	AEU 100/100	12.26	60
12.5	22	AEU 125/100	14.54	60

Schlüter®-RENO-EU

stainless steel V2A

H (mm)	B (mm)	L = 2.50 m Art. No.	€ / m	KV (Unit)
8	13	EU 80	19.49	60
10	17.5	EU 100	21.37	60
11	20	EU 110	22.90	60
12.5	23	EU 125	23.67	60
15	28	EU 150	25.72	60
17.5	33.5	EU 175	28.03	60
20	44.5	EU 200	30.50	60
L = 1.00 m				
8	13	EU 80/100	20.39	60
10	17.5	EU 100/100	22.30	60
11	20	EU 110/100	23.83	60
12.5	23	EU 125/100	24.63	60

Schlüter®-RENO-EBU

brushed stainless steel V2A

H (mm)	B (mm)	L = 2.50 m Art. No.	€ / m	KV (Unit)
8	13	EBU 80	25.31	60
10	17.5	EBU 100	27.76	60
11	20	EBU 110	29.84	60
12.5	23	EBU 125	30.73	60
15	28	EBU 150	33.47	60
17.5	33.5	EBU 175	36.46	60
20	44.5	EBU 200	39.66	60
L = 1.00 m				
8	13	EBU 80/100	26.24	60
10	17.5	EBU 100/100	28.66	60
11	20	EBU 110/100	30.78	60
12.5	23	EBU 125/100	31.64	60

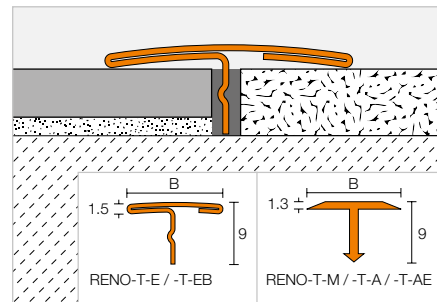
Transition profile

Schlüter®-RENO-T



Schlüter-RENO-T is retrofitted to adjoin different types of floor coverings of the same height.

(Product data sheet 1.3)



Schlüter®-RENO-T-M

brass

B (mm)	L = 2.50 m Art. No.	€ / m	KV (Unit)
14	T 9/14 M	8.45	120
25	T 9/25 M	14.39	120
L = 1.00 m			
14	T 9/14 M/100	9.13	120
25	T 9/25 M/100	15.06	120

Schlüter®-RENO-T-A

aluminium

B (mm)	L = 2.50 m Art. No.	€ / m	KV (Unit)
14	T 9/14 A	3.30	120
25	T 9/25 A	4.20	120
L = 1.00 m			
14	T 9/14 A/100	3.91	120
25	T 9/25 A/100	4.85	120

Schlüter®-RENO-T-AE

anodised aluminium

B (mm)	L = 2.50 m Art. No.	€ / m	KV (Unit)
14	T 9/14 A E	5.31	120
25	T 9/25 A E	5.74	120
L = 1.00 m			
14	T 9/14 A E/100	5.98	120
25	T 9/25 A E/100	6.38	120

Schlüter®-RENO-T-E

stainless steel V2A

B (mm)	L = 2.50 m Art. No.	€ / m	KV (Unit)
14	T 9/14 E	12.25	120
25	T 9/25 E	15.83	120
L = 1.00 m			
14	T 9/14 E/100	12.92	120
25	T 9/25 E/100	16.47	120

Schlüter®-RENO-T-EB

brushed stainless steel V2A

B (mm)	L = 2.50 m Art. No.	€ / m	KV (Unit)
14	T 9/14 EB	15.93	120
25	T 9/25 EB	20.55	120
L = 1.00 m			
14	T 9/14 EB/100	16.81	120
25	T 9/25 EB/100	21.42	120

Note:

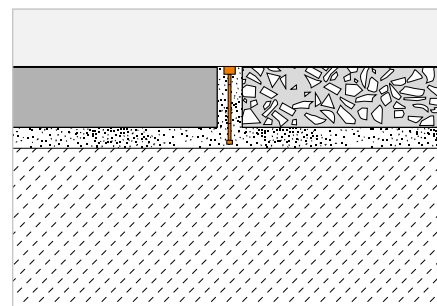
The profiles Schlüter-RENO-T-M / -T-A / -T-AE can be formed to a curve without any special perforations, using the profile forming machine Schlüter-RUMA.

Separator profile

Schlüter®-TERRAZZO



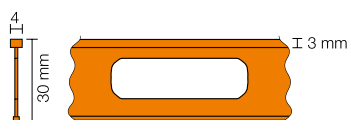
Schlüter-TERRAZZO is a decorative divider profile of solid brass that is incorporated into terrazzo coverings.



Schlüter®-TERRAZZO-M

brass

H (mm)	L = 2.50 m Art. No.	€ / m	KV (Unit)
30	TM 4 x 30	13.25	120





Schlüter-profiles

“Heavy metal” for tiles

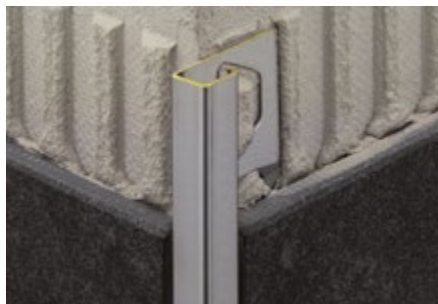
The ideal choice for combining dependable edge protection with an elegant look that matches chrome plated or stainless steel fittings. Whether stainless steel or chrome plated brass, Schlüter-QUADEC guarantees lasting enjoyment of tile coverings.



← NEED HELP SELECTING A PROFILE?
TRY OUR SELECTOR TOOLS

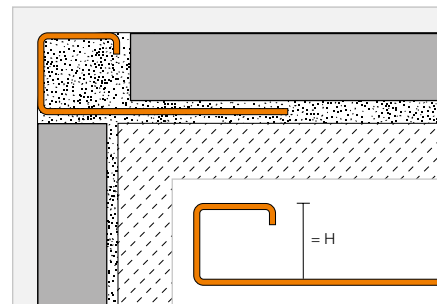
Finishing profile

Schlüter®-QUADEC-MC



Schlüter-QUADEC-MC is a high-quality chrome plated brass finishing profile for external corners and edges of tiled walls. The visible area of the profile forms a right angled external corner.

(Product data sheet 2.10)



Schlüter®-QUADEC-MC

chrome plated brass

H (mm)	L = 2.50 m Art. No.	€ / m	KV (Unit)
6	Q 60 MC	35.48	120
8	Q 80 MC	37.50	120
10	Q 100 MC	39.09	120
11	Q 110 MC	40.23	120
12.5	Q 125 MC	41.26	120
15	Q 150 MC	43.48	120

Corner

Schlüter®-QUADEC-MC/EV

90° external/internal corner,
solid chrome plated brass

H (mm)	Art. No.	€ / U.	P (Unit)
6	EV / Q 60 MC	20.39	50
8	EV / Q 80 MC	20.88	50
10	EV / Q 100 MC	22.52	50
11	EV / Q 110 MC	22.84	50
12.5	EV / Q 125 MC	23.05	50
15	EV / Q 150 MC	23.94	50

Schlüter®-QUADEC-MC/ED

90° external/internal corner,
die cast metal appearance

H (mm)	Art. No.	€ / U.	P (Unit)
6	ED / Q 60 MC	4.67	50
8	ED / Q 80 MC	4.67	50
10	ED / Q 100 MC	4.67	50
11	ED / Q 110 MC	4.67	50
12.5	ED / Q 125 MC	4.67	50
15	ED / Q 150 MC	4.67	50



The variable corner pieces can be used for internal and external corners.

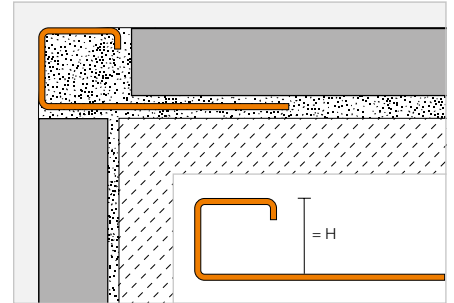


Finishing profile

Schlüter®-QUADEC-E



Schlüter-QUADEC-E is a stainless steel finishing profile that offers excellent edge protection for external corners of tiled walls. The visible area of the profile forms a right angled external corner for tile coverings.
(Product data sheet 2.10)



Schlüter®-QUADEC-E



stainless steel V2A

H (mm)	L = 2.50 m Art. No.	€ / m	KV (Unit)
4.5	Q 45 E	13.66	120
6	Q 60 E	14.57	120
7	Q 70 E	15.14	120
8	Q 80 E	15.71	120
9	Q 90 E	16.49	120
10	Q 100 E	16.81	120
11	Q 110 E	17.20	120
12.5	Q 125 E	17.84	120
14	Q 140 E	18.47	120
15	Q 150 E	18.99	120

Schlüter®-QUADEC-EB



brushed stainless steel V2A

H (mm)	L = 2.50 m Art. No.	€ / m	KV (Unit)
—	—	—	—
6	Q 60 EB	19.13	120
7	Q 70 EB	19.74	120
8	Q 80 EB	20.60	120
9	Q 90 EB	21.45	120
10	Q 100 EB	22.09	120
11	Q 110 EB	22.95	120
12.5	Q 125 EB	23.45	120
14	Q 140 EB	24.66	120
15	Q 150 EB	25.03	120

Schlüter®-QUADEC-EP



polished stainless steel V2A

H (mm)	L = 2.50 m Art. No.	€ / m	KV (Unit)
—	—	—	—
6	Q 60 EP	26.55	120
—	—	—	—
8	Q 80 EP	27.64	120
—	—	—	—
10	Q 100 EP	28.76	120
—	—	—	—
12.5	Q 125 EP	30.98	120
—	—	—	—
15	Q 150 EP	33.17	120

Schlüter®-QUADEC-E V4A



stainless steel V4A

H (mm)	L = 2.50 m Art. No.	€ / m	KV (Unit)
6	Q 60 E / V4A	16.22	120
8	Q 80 E / V4A	17.47	120
10	Q 100 E / V4A	18.72	120
12.5	Q 125 E / V4A	19.80	120

Note:

Schlüter-QUADEC-E/-EB profiles in heights of 14/15 mm are not available with radius perforation.

Schlüter-QUADEC-EP profiles in heights of 15 mm are not available with radius perforation.

For 3 metre length, add "/300" to art. no. (e.g. Q 60 E/300).

Corner | end cap | connector

Schlüter®-QUADEC-E/EV

90° external/internal corner,
solid stainless steel V2A

H (mm)	Art. No.	€ / U.	P (Unit)
4.5	EV / Q 45 E	23.78	50
6	EV / Q 60 E	24.27	50
7	EV / Q 70 E	24.59	50
8	EV / Q 80 E	24.92	50
9	EV / Q 90 E	26.42	50
10	EV / Q 100 E	26.93	50
11	EV / Q 110 E	27.23	50
12.5	EV / Q 125 E	27.53	50
14	EV / Q 140 E	28.03	50
15	EV / Q 150 E	28.21	50

Schlüter®-QUADEC-E/ED

90° external/internal corner,
die cast metal appearance

H (mm)	Art. No.	€ / U.	P (Unit)
4.5	ED / Q 45 E	4.74	50
6	ED / Q 60 E	4.74	50
7	ED / Q 70 E	4.74	50
8	ED / Q 80 E	4.74	50
9	ED / Q 90 E	4.74	50
10	ED / Q 100 E	4.74	50
11	ED / Q 110 E	4.74	50
12.5	ED / Q 125 E	4.74	50
14	ED / Q 140 E	4.74	50
15	ED / Q 150 E	4.74	50



Corner | end cap | connector

Schlüter®-QUADEC-EB/EV90° external/internal corner,
brushed solid stainless steel V2A

H (mm)	Art. No.	€ / U.	P (Unit)
6	EV / Q 60 EB	28.23	50
7	EV / Q 70 EB	28.57	50
8	EV / Q 80 EB	28.94	50
9	EV / Q 90 EB	29.95	50
10	EV / Q 100 EB	31.26	50
11	EV / Q 110 EB	31.46	50
12.5	EV / Q 125 EB	31.94	50
14	EV / Q 140 EB	32.16	50
15	EV / Q 150 EB	32.70	50

Schlüter®-QUADEC-EB/ED90° external/internal corner,
brushed die cast metal appearance

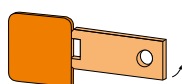
H (mm)	Art. No.	€ / U.	P (Unit)
6	ED / Q 60 EB	6.92	50
7	ED / Q 70 EB	6.92	50
8	ED / Q 80 EB	6.92	50
9	ED / Q 90 EB	6.92	50
10	ED / Q 100 EB	6.92	50
11	ED / Q 110 EB	6.92	50
12.5	ED / Q 125 EB	6.92	50
14	ED / Q 140 EB	6.92	50
15	ED / Q 150 EB	6.92	50



The variable corner pieces can be used for internal and external corners.

Schlüter®-QUADEC-EB/EK*end cap,
brushed stainless steel V2A

H (mm)	Art. No.	€ / U.	P (Unit)
6	EK / Q 60 EB	2.41	50
7	EK / Q 70 EB	2.41	50
8	EK / Q 80 EB	2.41	50
9	EK / Q 90 EB	2.41	50
10	EK / Q 100 EB	2.41	50
11	EK / Q 110 EB	2.41	50
12.5	EK / Q 125 EB	2.41	50
14	EK / Q 140 EB	2.41	50
15	EK / Q 150 EB	2.41	50



Schlüter®-QUADEC-EB/EK

* Suitable for Schlüter®-QUADEC-E, V2A.

Schlüter®-QUADEC-EP/EV90° external/internal corner,
polished solid stainless steel V2A

H (mm)	Art. No.	€ / U.	P (Unit)
6	EV / Q 60 EP	26.92	50
8	EV / Q 80 EP	28.54	50
10	EV / Q 100 EP	30.58	50
12.5	EV / Q 125 EP	33.17	50
15	EV / Q 150 EP	36.85	50

Schlüter®-QUADEC-EP/ED90° external/internal corner,
polished die cast metal appearance

H (mm)	Art. No.	€ / U.	P (Unit)
6	ED / Q 60 EP	4.80	50
8	ED / Q 80 EP	4.80	50
10	ED / Q 100 EP	4.80	50
12.5	ED / Q 125 EP	4.80	50
15	ED / Q 150 EP	4.80	50

Schlüter®-QUADEC-EV V4A90° external/internal corner,
solid stainless steel V4A

H (mm)	Art. No.	€ / U.	P (Unit)
6	EV / Q 60 E/V4A	27.00	50
8	EV / Q 80 E/V4A	27.69	50
10	EV / Q 100 E/V4A	29.94	50
12.5	EV / Q 125 E/V4A	30.59	50

Schlüter®-RONDEC-E/V

connector for stainless steel profiles

H (mm)	Art. No.	€ / U.	P (Unit)
6	V / RO 60 E	2.38	50
8	V / RO 80 E	2.38	50
10	V / RO 100 E	2.38	50
11	V / RO 110 E	2.38	50
12.5	V / RO 125 E	2.38	50



Suitable for Schlüter®-RONDEC and -QUADEC profiles.



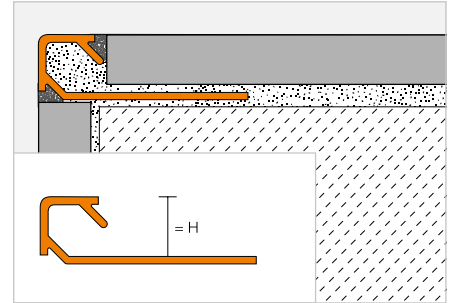
Finishing profile

Schlüter®-QUADEC-TS



Schlüter-QUADEC-TS is a high-quality finishing profile made of aluminium with a special textured coating for external wall corners and the edges of tile coverings. The visible area of the profile forms a right angled external corner. The joint spacer creates a uniform grout joint with the tile.

(Product data sheet 2.10)



Schlüter®-QUADEC-TSI



textured natural ivory

H (mm)	L = 2.50 m Art. No.	€ / m	KV (Unit)
4.5	Q 45 TSI	15.16	120
6	Q 60 TSI	15.81	120
8	Q 80 TSI	17.15	120
10	Q 100 TSI	18.45	120
11	Q 110 TSI	19.12	120
12.5	Q 125 TSI	20.10	120

Schlüter®-QUADEC-TSC



textured natural cream

H (mm)	L = 2.50 m Art. No.	€ / m	KV (Unit)
4.5	Q 45 TSC	15.16	120
6	Q 60 TSC	15.81	120
8	Q 80 TSC	17.15	120
10	Q 100 TSC	18.45	120
11	Q 110 TSC	19.12	120
12.5	Q 125 TSC	20.10	120

Schlüter®-QUADEC-TSBG



textured natural beige grey

H (mm)	L = 2.50 m Art. No.	€ / m	KV (Unit)
4.5	Q 45 TSBG	15.16	120
6	Q 60 TSBG	15.81	120
8	Q 80 TSBG	17.15	120
10	Q 100 TSBG	18.45	120
11	Q 110 TSBG	19.12	120
12.5	Q 125 TSBG	20.10	120

Schlüter®-QUADEC-TSB



textured natural beige

H (mm)	L = 2.50 m Art. No.	€ / m	KV (Unit)
4.5	Q 45 TSB	15.16	120
6	Q 60 TSB	15.81	120
8	Q 80 TSB	17.15	120
10	Q 100 TSB	18.45	120
11	Q 110 TSB	19.12	120
12.5	Q 125 TSB	20.10	120

Schlüter®-QUADEC-TSSG



textured natural stone grey

H (mm)	L = 2.50 m Art. No.	€ / m	KV (Unit)
4.5	Q 45 TSSG	15.16	120
6	Q 60 TSSG	15.81	120
8	Q 80 TSSG	17.15	120
10	Q 100 TSSG	18.45	120
11	Q 110 TSSG	19.12	120
12.5	Q 125 TSSG	20.10	120

Schlüter®-QUADEC-TSG



textured natural grey

H (mm)	L = 2.50 m Art. No.	€ / m	KV (Unit)
4.5	Q 45 TSG	15.16	120
6	Q 60 TSG	15.81	120
8	Q 80 TSG	17.15	120
10	Q 100 TSG	18.45	120
11	Q 110 TSG	19.12	120
12.5	Q 125 TSG	20.10	120

Schlüter®-QUADEC-TSOB



textured natural bronze

H (mm)	L = 2.50 m Art. No.	€ / m	KV (Unit)
4.5	Q 45 TSOB	15.16	120
6	Q 60 TSOB	15.81	120
8	Q 80 TSOB	17.15	120
10	Q 100 TSOB	18.45	120
11	Q 110 TSOB	19.12	120
12.5	Q 125 TSOB	20.10	120

Schlüter®-QUADEC-TSLA



textured natural light anthracite

H (mm)	L = 2.50 m Art. No.	€ / m	KV (Unit)
4.5	Q 45 TSLA	15.16	120
6	Q 60 TSLA	15.81	120
8	Q 80 TSLA	17.15	120
10	Q 100 TSLA	18.45	120
11	Q 110 TSLA	19.12	120
12.5	Q 125 TSLA	20.10	120

Schlüter®-QUADEC-TSDA



textured natural dark anthracite

H (mm)	L = 2.50 m Art. No.	€ / m	KV (Unit)
4.5	Q 45 TSDA	15.16	120
6	Q 60 TSDA	15.81	120
8	Q 80 TSDA	17.15	120
10	Q 100 TSDA	18.45	120
11	Q 110 TSDA	19.12	120
12.5	Q 125 TSDA	20.10	120

Schlüter®-QUADEC-TSR



textured natural rustic brown

H (mm)	L = 2.50 m Art. No.	€ / m	KV (Unit)
4.5	Q 45 TSR	15.16	120
6	Q 60 TSR	15.81	120
8	Q 80 TSR	17.15	120
10	Q 100 TSR	18.45	120
11	Q 110 TSR	19.12	120
12.5	Q 125 TSR	20.10	120

Schlüter®-QUADEC-MBW



colour coated aluminium, matte brilliant white

H (mm)	L = 2.50 m Art. No.	€ / m	KV (Unit)
4.5	Q 45 MBW	7.82	120
6	Q 60 MBW	8.29	120
8	Q 80 MBW	9.28	120
10	Q 100 MBW	10.16	120
11	Q 110 MBW	11.37	120
12.5	Q 125 MBW	12.70	120

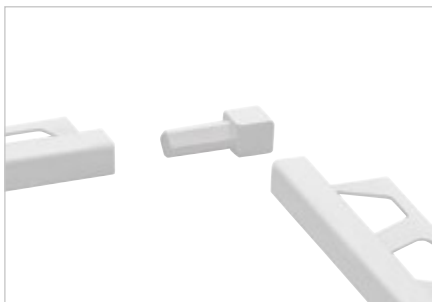
Schlüter®-QUADEC-MGS



colour coated aluminium, matte graphite black

H (mm)	L = 2.50 m Art. No.	€ / m	KV (Unit)
4.5	Q 45 MGS	7.82	120
6	Q 60 MGS	8.29	120
8	Q 80 MGS	9.28	120
10	Q 100 MGS	10.16	120
11	Q 110 MGS	11.37	120
12.5	Q 125 MGS	12.70	120

Corner | connector



Schlüter®-QUADEC-TS/EV

90° external/internal corner, aluminium

H (mm)	Art. No.	€ / U.	P (Unit)
4.5	EV / Q 45 ...**	12.52	50
6	EV / Q 60 ...**	12.52	50
8	EV / Q 80 ...**	12.52	50
10	EV / Q 100 ...**	12.52	50
11	EV / Q 110 ...**	12.52	50
12.5	EV / Q 125 ...**	12.52	50

Schlüter®-QUADEC-AC/EV

90° external/internal corner for QUADEC-MBW/-MGS, solid aluminium

H (mm)	Art. No.	€ / U.	P (Unit)
4.5	EV / Q 45 ...*	12.52	50
6	EV / Q 60 ...*	12.52	50
8	EV / Q 80 ...*	12.52	50
10	EV / Q 100 ...*	12.52	50
11	EV / Q 110 ...*	12.52	50
12.5	EV / Q 125 ...*	12.52	50

Schlüter®-QUADEC-AC/ED

90° external corner for QUADEC-MBW/-MGS, die cast metal appearance

H (mm)	Art. No.	€ / U.	P (Unit)
4.5	ED / Q 45 ...*	4.67	50
6	ED / Q 60 ...*	4.67	50
8	ED / Q 80 ...*	4.67	50
10	ED / Q 100 ...*	4.67	50
11	ED / Q 110 ...*	4.67	50
12.5	ED / Q 125 ...*	4.67	50



To complete the art. no., add the finish/colour (e.g. ED / Q 45 MGS)

* Finishes/colours: MBW - MGS

** Finishes/colours: TSB - TSBG - TSC - TSDA - TSG - TSI - TSLA - TSOB - TSR - TSSG

Schlüter®-RONDEC-A/V

connector for aluminium profiles

H (mm)	Art. No.	€ / U.	P (Unit)
6	V / RO 60	1.27	50
8	V / RO 80	1.27	50
10	V / RO 100	1.27	50
11	V / RO 110	1.27	50
12.5	V / RO 125	1.27	50

Schlüter®-QUADEC-A/V

connector for aluminium profiles

H (mm)	Art. No.	€ / U.	P (Unit)
6	V / Q 60	1.27	50



Schlüter-QUADEC-A/V – suitable for Schlüter-QUADEC and -RONDEC profiles. Except H = 6 mm; RONDEC and QUADEC connector is available in that case.

Available finishes | colours



For an overview of finishes and colours, please see pages 143-144.



Schlüter®-QUADEC-A

Versatility³ – anodised aluminium finishes

- ✓ High-quality anodised aluminium profiles
- ✓ Five different colour choices
- ✓ Four different finishes:
 - Matte
 - Polished
 - Brushed
 - Cross brushed

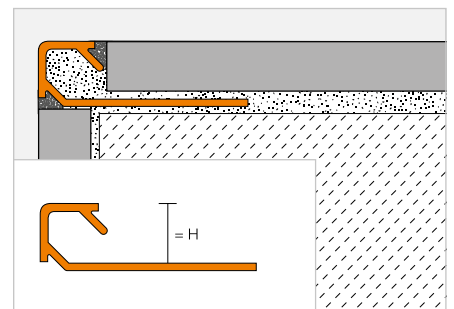


Finishing profile

Schlüter®-QUADEC-A



Schlüter-QUADEC-A is a high-quality anodised aluminium finishing profile for external corners and edges of tiled walls. The visible area of the profile forms a right angled external corner. The joint spacer creates a uniform grout joint with the tile.
(Product data sheet 2.10)



Schlüter®-QUADEC-AE



anodised aluminium

H (mm)	L = 2.50 m Art. No.	€ / m	KV (Unit)
4.5	Q 45 AE	6.68	120
6	Q 60 AE	6.94	120
8	Q 80 AE	7.51	120
10	Q 100 AE	8.20	120
11	Q 110 AE	8.51	120
12.5	Q 125 AE	8.77	120

Schlüter®-QUADEC-ACG



polished chrome anodised aluminium

H (mm)	L = 2.50 m Art. No.	€ / m	KV (Unit)
4.5	Q 45 ACG	15.03	120
6	Q 60 ACG	15.79	120
8	Q 80 ACG	16.59	120
10	Q 100 ACG	17.63	120
11	Q 110 ACG	18.45	120
12.5	Q 125 ACG	19.62	120

Schlüter®-QUADEC-ACGB



brushed chrome anodised aluminium

H (mm)	L = 2.50 m Art. No.	€ / m	KV (Unit)
4.5	Q 45 ACGB	15.34	120
6	Q 60 ACGB	16.05	120
8	Q 80 ACGB	17.97	120
10	Q 100 ACGB	18.94	120
11	Q 110 ACGB	19.37	120
12.5	Q 125 ACGB	19.84	120

Schlüter®-QUADEC-AT

matte titanium anodised aluminium

H (mm)	L = 2.50 m Art. No.	€ / m	KV (Unit)
4.5	Q 45 AT	7.01	120
6	Q 60 AT	7.33	120
8	Q 80 AT	8.01	120
10	Q 100 AT	8.69	120
11	Q 110 AT	9.09	120
12.5	Q 125 AT	9.58	120

Schlüter®-QUADEC-ATG

polished titanium anodised aluminium

H (mm)	L = 2.50 m Art. No.	€ / m	KV (Unit)
4.5	Q 45 ATG	15.03	120
6	Q 60 ATG	15.79	120
8	Q 80 ATG	16.59	120
10	Q 100 ATG	17.63	120
11	Q 110 ATG	18.45	120
12.5	Q 125 ATG	19.62	120

Schlüter®-QUADEC-ATGB

brushed titanium anodised aluminium

H (mm)	L = 2.50 m Art. No.	€ / m	KV (Unit)
4.5	Q 45 ATGB	15.34	120
6	Q 60 ATGB	16.05	120
8	Q 80 ATGB	17.97	120
10	Q 100 ATGB	18.94	120
11	Q 110 ATGB	19.37	120
12.5	Q 125 ATGB	19.84	120

Schlüter®-QUADEC-AEX

cross brushed anodised aluminium

H (mm)	L = 2.50 m Art. No.	€ / m	KV (Unit)
6	Q 60 AEX	16.05	120
8	Q 80 AEX	17.97	120
10	Q 100 AEX	18.94	120
11	Q 110 AEX	19.45	120
12.5	Q 125 AEX	19.84	120

Schlüter®-QUADEC-AMX

cross brushed brass anodised aluminium

H (mm)	L = 2.50 m Art. No.	€ / m	KV (Unit)
6	Q 60 AMX	16.05	120
8	Q 80 AMX	17.97	120
10	Q 100 AMX	18.94	120
11	Q 110 AMX	19.45	120
12.5	Q 125 AMX	19.84	120

Schlüter®-QUADEC-ATX

cross brushed titanium anodised aluminium

H (mm)	L = 2.50 m Art. No.	€ / m	KV (Unit)
6	Q 60 ATX	16.05	120
8	Q 80 ATX	17.97	120
10	Q 100 ATX	18.94	120
11	Q 110 ATX	19.45	120
12.5	Q 125 ATX	19.84	120

Schlüter®-QUADEC-AQGX

cross brushed quartz grey anodised aluminium

H (mm)	L = 2.50 m Art. No.	€ / m	KV (Unit)
6	Q 60 AQGX	16.05	120
8	Q 80 AQGX	17.97	120
10	Q 100 AQGX	18.94	120
11	Q 110 AQGX	19.45	120
12.5	Q 125 AQGX	19.84	120

For 3 metre length, add "/300" to art. no. (e.g. Q 60 AE/300).

Corner | connector**Schlüter®-QUADEC-A/EV**90° external/internal corner,
solid aluminium

H (mm)	Art. No.	€ / U.	P (Unit)
4.5	EV / Q 45 ...*	8.51	50
6	EV / Q 60 ...**	8.69	50
8	EV / Q 80 ...**	9.07	50
10	EV / Q 100 ...**	9.42	50
11	EV / Q 110 ...**	9.66	50
12.5	EV / Q 125 ...**	9.82	50

Schlüter®-QUADEC-A/ED90° external corner,
aluminium appearance

H (mm)	Art. No.	€ / U.	P (Unit)
4.5	ED / Q 45 ...*	4.67	50
6	ED / Q 60 ...*	4.67	50
8	ED / Q 80 ...*	4.67	50
10	ED / Q 100 ...*	4.67	50
11	ED / Q 110 ...*	4.67	50
12.5	ED / Q 125 ...*	4.67	50

Schlüter®-RONDEC-A/V

connector for aluminium profiles

H (mm)	Art. No.	€ / U.	P (Unit)
—	—	—	—
6	V / RO 60	1.27	50
8	V / RO 80	1.27	50
10	V / RO 100	1.27	50
11	V / RO 110	1.27	50
12.5	V / RO 125	1.27	50

Schlüter®-QUADEC-A/V

connector for aluminium profiles

H (mm)	Art. No.	€ / U.	P (Unit)
6	V / Q 60	1.27	50

Schlüter®-RONDEC-A/V – suitable for
Schlüter®-RONDEC and -QUADEC profiles.
Except H = 6 mm; RONDEC and QUADEC connector
is available in that case.**To complete the art. no., add the finish (e.g. ED / Q 45 ACGB)**

* Finishes: ACG - ACGB - AE - AT - ATG - ATGB

** Finishes: ACG - ACGB - AE - AEX - AMX - AQGX - AT - ATG - ATGB - ATX

For an overview of finishes and colours, please see page 142.



Schlüter-profiles

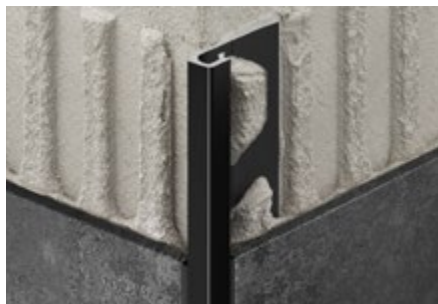
Black and White

The rich texture of the finishes matte brilliant white (MBW) and matte graphite black (MGS) offers a completely new appearance that perfectly complements classic tiles and stylish new designs with textured finishes.



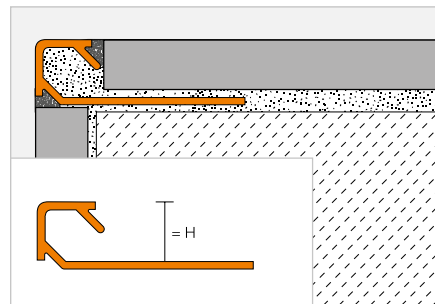
Finishing profile

Schlüter®-QUADEC-AC



Schlüter-QUADEC-AC is a high-quality colour coated aluminium finishing profile for external corners and the edges of tiled coverings. The visible area of the profile forms a right angled external corner. The joint spacer creates a uniform grout joint with the tile.

(Product data sheet 2.10)



Schlüter®-QUADEC-AC



colour coated aluminium

H (mm)	L = 2.50 m Art. No.	€ / m	KV (Unit)
4.5	Q 45 ...*	7.82	120
6	Q 60 ...**	8.29	120
8	Q 80 ...**	9.28	120
10	Q 100 ...**	10.16	120
11	Q 110 ...**	11.37	120
12.5	Q 125 ...**	12.70	120

For 3 metre length, add "/300" to art. no. (e.g. Q 60 BW/300).

Corner | connector

Schlüter®-QUADEC-AC/ED

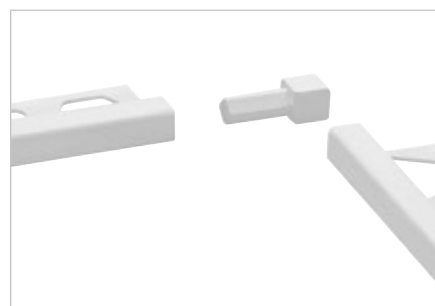
90° external corner,
die cast metal appearance

H (mm)	Art. No.	€ / U.	P (Unit)
4.5	ED / Q 45 ...*	4.67	50
6	ED / Q 60 ...**	4.67	50
8	ED / Q 80 ...**	4.67	50
10	ED / Q 100 ...**	4.67	50
11	ED / Q 110 ...**	4.67	50
12.5	ED / Q 125 ...**	4.67	50

Schlüter®-QUADEC-AC/EV

90° external/internal corner for QUADEC-MBW-MGS,
solid aluminium

H (mm)	Art. No.	€ / U.	P (Unit)
4.5	EV / Q 45 ...***	12.52	50
6	EV / Q 60 ...***	12.52	50
8	EV / Q 80 ...***	12.52	50
10	EV / Q 100 ...***	12.52	50
11	EV / Q 110 ...***	12.52	50
12.5	EV / Q 125 ...***	12.52	50



Schlüter®-RONDEC-A/V

connector for aluminium profiles

H (mm)	Art. No.	€ / U.	P (Unit)
6	V / RO 60	1.27	50
8	V / RO 80	1.27	50
10	V / RO 100	1.27	50
11	V / RO 110	1.27	50
12.5	V / RO 125	1.27	50

Schlüter®-QUADEC-A/V

connector for aluminium profiles

H (mm)	Art. No.	€ / U.	P (Unit)
6	V / Q 60	1.27	50



Schlüter-RONDEC-A/V – suitable for Schlüter-RONDEC and -QUADEC profiles. Except H = 6 mm; RONDEC and QUADEC connector is available in that case.

To complete the art. no., add the colour (e.g. EV / Q 45 MBW)



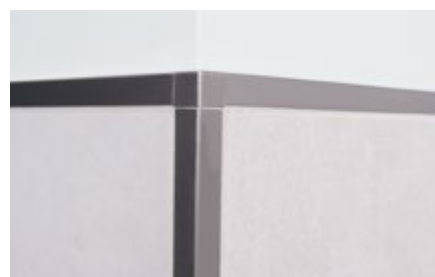
* Colours: BW - G - MBW - MGS - PG - PW - QG - VG - W

** Colours: BW - GS - MBW - MGS - PG - QG - VG - W

*** Colours: MBW - MGS

Colours L = 3.00 m: BW - GS - MBW - MGS - PG - QG - VG - W

For an overview of finishes and colours, please see pages 142-144.





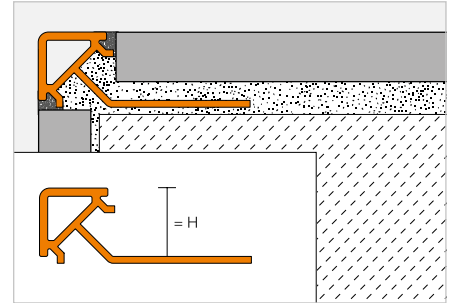
Finishing profile

Schlüter®-QUADEC-PQ



Schlüter-QUADEC-PQ is a finishing profile of coloured PVC for external wall corners and the edges of tile coverings. The visible area of the profile forms a right angled external corner. The joint spacer creates a uniform grout joint with the tile.

(Product data sheet 2.10)



Schlüter®-QUADEC-PQ

coloured PVC

H (mm)	L = 2.50 m Art. No.	€ / m	KV (Unit)
6	PQ 60 ...*	3.08	240
8	PQ 80 ...*	3.23	240
10	PQ 100 ...*	3.43	240
11	PQ 110 ...*	3.60	240
12.5	PQ 125 ...*	3.70	240

Corner

Schlüter®-QUADEC-PQ/E

90° external corner

H (mm)	Art. No.	€ / U.	P (Unit)
6	E / PQ 60 ...*	1.92	50
8	E / PQ 80 ...*	1.92	50
10	E / PQ 100 ...*	1.92	50
11	E / PQ 110 ...*	1.92	50
12.5	E / PQ 125 ...*	1.92	50



To complete the art. no., add the colour (e.g. E / PQ 60 PG)



* Colours: BH - BW - GS - PG - SP - W

For an overview of finishes and colours, please see page 144.

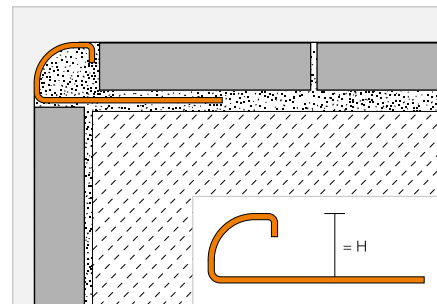
Finishing profile

Schlüter®-RONDEC-MC



Schlüter-**RONDEC-MC** is a symmetrically rounded profile for external wall corners or the edges of coverings, made of brass with a chrome plated finish.

(Product data sheet 2.1)



Schlüter®-RONDEC-MC

chrome plated brass

H (mm)	L = 2.50 m Art. No.	€ / m	KV (Unit)
6	RO 60 MC	33.79	120
8	RO 80 MC	35.70	120
10	RO 100 MC	37.23	120
11	RO 110 MC	38.04	120
12.5	RO 125 MC	39.27	120

Corner

Schlüter®-RONDEC-MC/EV

90° external corner,
solid chrome plated brass

H (mm)	Art. No.	€ / U.	P (Unit)
6	EV / RO 60 MC	17.33	50
8	EV / RO 80 MC	18.10	50
10	EV / RO 100 MC	18.87	50
11	EV / RO 110 MC	19.11	50
12.5	EV / RO 125 MC	19.62	50

Schlüter®-RONDEC-MC/ED

90° external corner,
die cast metal appearance

H (mm)	Art. No.	€ / U.	P (Unit)
6	ED / RO 60 MC	3.76	50
8	ED / RO 80 MC	3.76	50
10	ED / RO 100 MC	3.76	50
11	ED / RO 110 MC	3.76	50
12.5	ED / RO 125 MC	3.76	50



Schlüter®-RONDEC-MC/IV

90° internal corner,
solid chrome plated brass

H (mm)	Art. No.	€ / U.	P (Unit)
6	IV / RO 60 MC	17.33	50
8	IV / RO 80 MC	18.10	50
10	IV / RO 100 MC	18.87	50
11	IV / RO 110 MC	19.11	50
12.5	IV / RO 125 MC	19.62	50

Schlüter®-RONDEC-MC/ID

90° internal corner,
die cast metal appearance

H (mm)	Art. No.	€ / U.	P (Unit)
6	ID / RO 60 MC	3.76	50
8	ID / RO 80 MC	3.76	50
10	ID / RO 100 MC	3.76	50
11	ID / RO 110 MC	3.76	50
12.5	ID / RO 125 MC	3.76	50





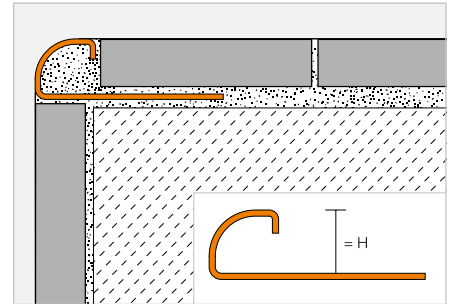
Finishing profile

Schlüter®-RONDEC-E



Schlüter-**RONDEC-E** is a symmetrically rounded profile for external wall corners or the edges of coverings, made of stainless steel with different finishes.

(Product data sheet 2.1)



Schlüter®-RONDEC-E



stainless steel V2A

H (mm)	L = 2.50 m Art. No.	€ / m	KV (Unit)
4.5	RO 45 E	14.27	120
6	RO 60 E	14.57	120
7	RO 70 E	15.26	120
8	RO 80 E	15.71	120
9	RO 90 E	16.36	120
10	RO 100 E	16.81	120
11	RO 110 E	17.47	120
12.5	RO 125 E	17.84	120
15	RO 150 E	19.62	120
L = 1.00 m			
6	RO 60 E/100	15.18	120
8	RO 80 E/100	16.31	120
10	RO 100 E/100	17.45	120
12.5	RO 125 E/100	18.48	120

Schlüter®-RONDEC-EB



brushed stainless steel V2A

H (mm)	L = 2.50 m Art. No.	€ / m	KV (Unit)
–	–	–	–
6	RO 60 EB	19.13	120
7	RO 70 EB	19.97	120
8	RO 80 EB	20.60	120
9	RO 90 EB	21.36	120
10	RO 100 EB	22.09	120
11	RO 110 EB	22.72	120
12.5	RO 125 EB	23.45	120
15	RO 150 EB	25.79	120

Schlüter®-RONDEC-EP



polished stainless steel V2A

H (mm)	L = 2.50 m Art. No.	€ / m	KV (Unit)
–	–	–	–
6	RO 60 EP	28.04	120
–	–	–	–
8	RO 80 EP	29.13	120
–	–	–	–
10	RO 100 EP	30.31	120
–	–	–	–
12.5	RO 125 EP	31.47	120
15	RO 150 EP	32.92	120

Note:

For technical reasons, products that are only one metre in length are not available with radius perforations.

For 3 metre length, add "/300" to art. no. (e.g. RO 60 E/300).

Schlüter®-RONDEC-E V4A



stainless steel V4A

H (mm)	L = 2.50 m Art. No.	€ / m	KV (Unit)
6	RO 60 E/V4A	16.45	120
8	RO 80 E/V4A	17.69	120
10	RO 100 E/V4A	18.94	120
12.5	RO 125 E/V4A	20.21	120

Corner | end cap | connector

Schlüter®-RONDEC-E/EV

90° external corner,
solid stainless steel V2A

H (mm)	Art. No.	€ / U.	P (Unit)
4.5	EV / RO 45 E	24.27	50
6	EV / RO 60 E	24.27	50
7	EV / RO 70 E	24.92	50
8	EV / RO 80 E	24.92	50
9	EV / RO 90 E	26.93	50
10	EV / RO 100 E	26.93	50
11	EV / RO 110 E	27.53	50
12.5	EV / RO 125 E	27.53	50
15	EV / RO 150 E	34.49	50

Schlüter®-RONDEC-E/ED

90° external corner,
die cast metal appearance

H (mm)	Art. No.	€ / U.	P (Unit)
4.5	ED / RO 45 E	3.82	50
6	ED / RO 60 E	3.82	50
7	ED / RO 70 E	3.82	50
8	ED / RO 80 E	3.82	50
9	ED / RO 90 E	3.82	50
10	ED / RO 100 E	3.82	50
11	ED / RO 110 E	3.82	50
12.5	ED / RO 125 E	3.82	50
15	ED / RO 150 E	3.82	50

Schlüter®-RONDEC-E/ID

90° internal corner,
die cast metal appearance

H (mm)	Art. No.	€ / U.	P (Unit)
4.5	ID / RO 45 E	3.82	50
6	ID / RO 60 E	3.82	50
7	ID / RO 70 E	3.82	50
8	ID / RO 80 E	3.82	50
9	ID / RO 90 E	3.82	50
10	ID / RO 100 E	3.82	50
11	ID / RO 110 E	3.82	50
12.5	ID / RO 125 E	3.82	50
15	ID / RO 150 E	3.82	50

Schlüter®-RONDEC-EB/EV90° external corner,
brushed solid stainless steel V2A

H (mm)	Art. No.	€ / U.	P (Unit)
6	EV / RO 60 EB	28.23	50
7	EV / RO 70 EB	28.67	50
8	EV / RO 80 EB	28.94	50
9	EV / RO 90 EB	30.73	50
10	EV / RO 100 EB	31.26	50
11	EV / RO 110 EB	31.46	50
12.5	EV / RO 125 EB	31.94	50
15	EV / RO 150 EB	40.12	50

Schlüter®-RONDEC-EB/ED90° external corner,
brushed die cast metal appearance

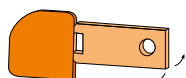
H (mm)	Art. No.	€ / U.	P (Unit)
6	ED / RO 60 EB	6.02	50
7	ED / RO 70 EB	6.02	50
8	ED / RO 80 EB	6.02	50
9	ED / RO 90 EB	6.02	50
10	ED / RO 100 EB	6.02	50
11	ED / RO 110 EB	6.02	50
12.5	ED / RO 125 EB	6.02	50
15	ED / RO 150 EB	6.02	50

Schlüter®-RONDEC-EB/ID90° internal corner,
brushed die cast metal appearance

H (mm)	Art. No.	€ / U.	P (Unit)
6	ID / RO 60 EB	6.02	50
7	ID / RO 70 EB	6.02	50
8	ID / RO 80 EB	6.02	50
9	ID / RO 90 EB	6.02	50
10	ID / RO 100 EB	6.02	50
11	ID / RO 110 EB	6.02	50
12.5	ID / RO 125 EB	6.02	50
15	ID / RO 150 EB	6.02	50

Schlüter®-RONDEC-EB/EK*end cap,
brushed stainless steel V2A

H (mm)	Art. No.	€ / U.	P (Unit)
4.5	EK / RO 45 EB	2.41	50
6	EK / RO 60 EB	2.41	50
7	EK / RO 70 EB	2.41	50
8	EK / RO 80 EB	2.41	50
9	EK / RO 90 EB	2.41	50
10	EK / RO 100 EB	2.41	50
11	EK / RO 110 EB	2.41	50
12.5	EK / RO 125 EB	2.41	50
15	EK / RO 150 EB	2.41	50



Schlüter-RONDEC-EB/EK

* Suitable for Schlüter-RONDEC-E and -EB profiles.

Schlüter®-RONDEC-EP/EV90° external corner,
polished solid stainless steel V2A

H (mm)	Art. No.	€ / U.	P (Unit)
6	EV / RO 60 EP	28.59	50
8	EV / RO 80 EP	29.32	50
10	EV / RO 100 EP	31.65	50
12.5	EV / RO 125 EP	32.35	50
15	EV / RO 150 EP	40.61	50

Schlüter®-RONDEC-EP/ED90° external corner,
polished die cast metal appearance

H (mm)	Art. No.	€ / U.	P (Unit)
6	ED / RO 60 EP	3.87	50
8	ED / RO 80 EP	3.87	50
10	ED / RO 100 EP	3.87	50
12.5	ED / RO 125 EP	3.87	50
15	ED / RO 150 EP	3.87	50

Schlüter®-RONDEC-EP/ID90° internal corner,
polished die cast metal appearance

H (mm)	Art. No.	€ / U.	P (Unit)
6	ID / RO 60 EP	3.87	50
8	ID / RO 80 EP	3.87	50
10	ID / RO 100 EP	3.87	50
12.5	ID / RO 125 EP	3.87	50
15	ID / RO 150 EP	3.87	50

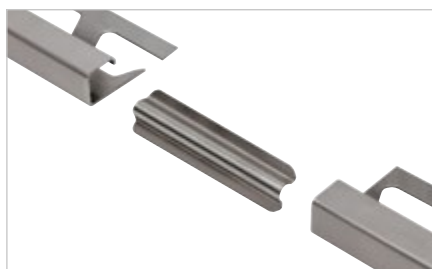
Schlüter®-RONDEC-E V4A/EV90° external corner,
solid stainless steel V4A

H (mm)	Art. No.	€ / U.	P (Unit)
6	EV / RO 60 E/V4A	27.00	50
8	EV / RO 80 E/V4A	27.66	50
10	EV / RO 100 E/V4A	29.91	50
12.5	EV / RO 125 E/V4A	30.58	50

**Schlüter®-RONDEC-E/V**

connector for stainless steel profiles

H (mm)	Art. No.	€ / U.	P (Unit)
6	V / RO 60 E	2.38	50
8	V / RO 80 E	2.38	50
10	V / RO 100 E	2.38	50
11	V / RO 110 E	2.38	50
12.5	V / RO 125 E	2.38	50





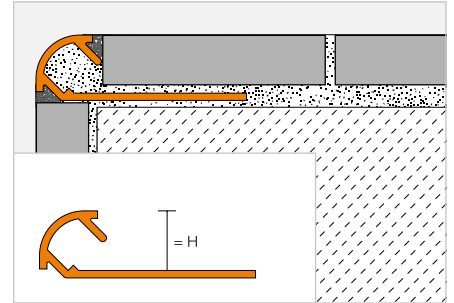
Finishing profile

Schlüter®-RONDEC-TS



Schlüter-RODEC-TS is a symmetrically rounded profile with integrated joint spacer for external wall corners and the edges of tile coverings, made of aluminium with a specially textured coating. The joint spacer creates a uniform grout joint with the tile.

(Product data sheet 2.1)



Schlüter®-RONDEC-TSI

textured natural ivory

H (mm)	L = 2.50 m Art. No.	€ / m	KV (Unit)
6	RO 60 TSI	15.16	120
8	RO 80 TSI	16.14	120
10	RO 100 TSI	17.15	120
11	RO 110 TSI	17.80	120
12.5	RO 125 TSI	18.80	120

Schlüter®-RONDEC-TSC

textured natural cream

H (mm)	L = 2.50 m Art. No.	€ / m	KV (Unit)
6	RO 60 TSC	15.16	120
8	RO 80 TSC	16.14	120
10	RO 100 TSC	17.15	120
11	RO 110 TSC	17.80	120
12.5	RO 125 TSC	18.80	120

Schlüter®-RONDEC-TSBG

textured natural beige grey

H (mm)	L = 2.50 m Art. No.	€ / m	KV (Unit)
6	RO 60 TSBG	15.16	120
8	RO 80 TSBG	16.14	120
10	RO 100 TSBG	17.15	120
11	RO 110 TSBG	17.80	120
12.5	RO 125 TSBG	18.80	120

Schlüter®-RONDEC-TSB

textured natural beige

H (mm)	L = 2.50 m Art. No.	€ / m	KV (Unit)
6	RO 60 TSB	15.16	120
8	RO 80 TSB	16.14	120
10	RO 100 TSB	17.15	120
11	RO 110 TSB	17.80	120
12.5	RO 125 TSB	18.80	120

Schlüter®-RONDEC-TSSG

textured natural stone grey

H (mm)	L = 2.50 m Art. No.	€ / m	KV (Unit)
6	RO 60 TSSG	15.16	120
8	RO 80 TSSG	16.14	120
10	RO 100 TSSG	17.15	120
11	RO 110 TSSG	17.80	120
12.5	RO 125 TSSG	18.80	120

Schlüter®-RONDEC-TSG

textured natural grey

H (mm)	L = 2.50 m Art. No.	€ / m	KV (Unit)
6	RO 60 TSG	15.16	120
8	RO 80 TSG	16.14	120
10	RO 100 TSG	17.15	120
11	RO 110 TSG	17.80	120
12.5	RO 125 TSG	18.80	120

Schlüter®-RONDEC-TSOB

textured natural bronze

H (mm)	L = 2.50 m Art. No.	€ / m	KV (Unit)
6	RO 60 TSOB	15.16	120
8	RO 80 TSOB	16.14	120
10	RO 100 TSOB	17.15	120
11	RO 110 TSOB	17.80	120
12.5	RO 125 TSOB	18.80	120

Schlüter®-RONDEC-TSLA

textured natural light anthracite

H (mm)	L = 2.50 m Art. No.	€ / m	KV (Unit)
6	RO 60 TSLA	15.16	120
8	RO 80 TSLA	16.14	120
10	RO 100 TSLA	17.15	120
11	RO 110 TSLA	17.80	120
12.5	RO 125 TSLA	18.80	120

Schlüter®-RONDEC-TSDA

textured natural dark anthracite

H (mm)	L = 2.50 m Art. No.	€ / m	KV (Unit)
6	RO 60 TSDA	15.16	120
8	RO 80 TSDA	16.14	120
10	RO 100 TSDA	17.15	120
11	RO 110 TSDA	17.80	120
12.5	RO 125 TSDA	18.80	120

Schlüter®-RONDEC-TSR

textured natural rustic brown

H (mm)	L = 2.50 m Art. No.	€ / m	KV (Unit)
6	RO 60 TSR	15.16	120
8	RO 80 TSR	16.14	120
10	RO 100 TSR	17.15	120
11	RO 110 TSR	17.80	120
12.5	RO 125 TSR	18.80	120

Schlüter®-RONDEC-MBW

colour coated aluminium, matte brilliant white

H (mm)	L = 2.50 m Art. No.	€ / m	KV (Unit)
6	RO 60 MBW	7.93	120
8	RO 80 MBW	8.83	120
10	RO 100 MBW	9.70	120
11	RO 110 MBW	10.94	120
12.5	RO 125 MBW	12.10	120

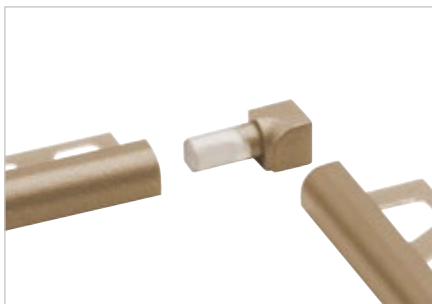
Schlüter®-RONDEC-MGS

colour coated aluminium, matte graphite black

H (mm)	L = 2.50 m Art. No.	€ / m	KV (Unit)
6	RO 60 MGS	7.93	120
8	RO 80 MGS	8.83	120
10	RO 100 MGS	9.70	120
11	RO 110 MGS	10.94	120
12.5	RO 125 MGS	12.10	120

For 3 metre length, add "/300" to art. no. (e.g. RO 60 TSI/300).

Corner



Schlüter®-RONDEC-TS/EV

90° external corner
aluminium, textured natural

H (mm)	Art. No.	€ / U.	P (Unit)
6	EV / RO 60 ...*	12.52	50
8	EV / RO 80 ...*	12.52	50
10	EV / RO 100 ...*	12.52	50
11	EV / RO 110 ...*	12.52	50
12.5	EV / RO 125 ...*	12.52	50

Schlüter®-RONDEC-TS/IV

90° internal corner
aluminium, textured natural

H (mm)	Art. No.	€ / U.	P (Unit)
6	IV / RO 60 ...*	12.52	50
8	IV / RO 80 ...*	12.52	50
10	IV / RO 100 ...*	12.52	50
11	IV / RO 110 ...*	12.52	50
12.5	IV / RO 125 ...*	12.52	50

Schlüter®-RONDEC-AC/ED

90° external corner for RONDEC-MBW/-MGS,
die cast metal appearance

H (mm)	Art. No.	€ / U.	P (Unit)
6	ED / RO 60 ...**	3.76	50
8	ED / RO 80 ...**	3.76	50
10	ED / RO 100 ...**	3.76	50
11	ED / RO 110 ...**	3.76	50
12.5	ED / RO 125 ...**	3.76	50

Schlüter®-RONDEC-AC/ID

90° internal corner for RONDEC-MBW/-MGS,
die cast metal appearance

H (mm)	Art. No.	€ / U.	P (Unit)
6	ID / RO 60 ...**	3.76	50
8	ID / RO 80 ...**	3.76	50
10	ID / RO 100 ...**	3.76	50
11	ID / RO 110 ...**	3.76	50
12.5	ID / RO 125 ...**	3.76	50



To complete the art. no., add the finish/colour (e.g. ID / RO 60 MGS)

* Finishes/colours: TSB - TSBG - TSC - TSDA - TSG - TSI - TSLA - TSOB - TSR - TSSG

** Finishes/colours: MBW - MGS

Available finishes | colours



For an overview of finishes and colours, please see page 143-144.



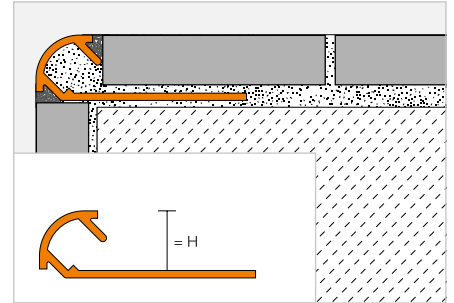
Finishing profile

Schlüter®-RONDEC-A



Schlüter-RONDEC-A is a symmetrically rounded profile with an integrated joint spacer for external wall corners or edges of coverings, made of aluminium with different anodised finishes. The joint spacer creates a uniform grout joint with the tile.

(Product data sheet 2.1)



Schlüter®-RONDEC-AE



anodised aluminium

H (mm)		L = 2.50 m Art. No.	€/m	KV (Unit)
6	⊗	RO 60 AE	6.64	120
8	⊗	RO 80 AE	7.20	120
9		RO 90 AE	7.51	120
10	⊗	RO 100 AE	7.85	120
11	⊗	RO 110 AE	8.09	120
12.5	⊗	RO 125 AE	8.38	120
15		RO 150 AE	8.91	120

Schlüter®-RONDEC-ACG



polished chrome anodised aluminium

H (mm)		L = 2.50 m Art. No.	€/m	KV (Unit)
6	⊗	RO 60 ACG	15.06	120
8	⊗	RO 80 ACG	15.81	120
9		RO 90 ACG	16.27	120
10	⊗	RO 100 ACG	16.76	120
11	⊗	RO 110 ACG	17.72	120
12.5	⊗	RO 125 ACG	18.68	120
15		RO 150 ACG	19.45	120

Schlüter®-RONDEC-ACGB



brushed chrome anodised aluminium

H (mm)		L = 2.50 m Art. No.	€/m	KV (Unit)
6		RO 60 ACGB	15.28	120
8		RO 80 ACGB	17.15	120
9		RO 90 ACGB	17.60	120
10		RO 100 ACGB	18.04	120
11		RO 110 ACGB	18.44	120
12.5		RO 125 ACGB	18.90	120
15		RO 150 ACGB	19.74	120

Schlüter®-RONDEC-AM



matte brass anodised aluminium

H (mm)		L = 2.50 m Art. No.	€/m	KV (Unit)
6		RO 60 AM	6.98	120
8		RO 80 AM	7.63	120
10		RO 100 AM	8.24	120
12.5		RO 125 AM	9.12	120

Schlüter®-RONDEC-AMG



polished brass anodised aluminium

H (mm)		L = 2.50 m Art. No.	€/m	KV (Unit)
6		RO 60 AMG	15.06	120
8		RO 80 AMG	15.81	120
10		RO 100 AMG	16.76	120
12.5		RO 125 AMG	18.68	120

Schlüter®-RONDEC-AMGB



brushed brass anodised aluminium

H (mm)		L = 2.50 m Art. No.	€/m	KV (Unit)
6		RO 60 AMGB	15.28	120
8		RO 80 AMGB	17.15	120
10		RO 100 AMGB	18.04	120
12.5		RO 125 AMGB	18.90	120

Schlüter®-RONDEC-AK



matte copper/bronze anodised aluminium

H (mm)		L = 2.50 m Art. No.	€/m	KV (Unit)
6		RO 60 AK	6.98	120
8		RO 80 AK	7.63	120
10		RO 100 AK	8.24	120
12.5		RO 125 AK	9.12	120

Schlüter®-RONDEC-AKG



polished copper/bronze anodised aluminium

H (mm)		L = 2.50 m Art. No.	€/m	KV (Unit)
6		RO 60 AKG	15.06	120
8		RO 80 AKG	15.81	120
10		RO 100 AKG	16.76	120
12.5		RO 125 AKG	18.68	120

Schlüter®-RONDEC-AKGB



brushed copper/bronze anodised aluminium

H (mm)		L = 2.50 m Art. No.	€/m	KV (Unit)
6		RO 60 AKGB	15.28	120
8		RO 80 AKGB	17.15	120
10		RO 100 AKGB	18.04	120
12.5		RO 125 AKGB	18.90	120

Schlüter®-RONDEC-AT



matte titanium anodised aluminium

H (mm)		L = 2.50 m Art. No.	€/m	KV (Unit)
6		RO 60 AT	6.98	120
8		RO 80 AT	7.63	120
10		RO 100 AT	8.24	120
12.5		RO 125 AT	9.12	120

Schlüter®-RONDEC-ATG



polished titanium anodised aluminium

H (mm)		L = 2.50 m Art. No.	€/m	KV (Unit)
6		RO 60 ATG	15.06	120
8		RO 80 ATG	15.81	120
10		RO 100 ATG	16.76	120
12.5		RO 125 ATG	18.68	120

Schlüter®-RONDEC-ATGB



brushed titanium anodised aluminium

H (mm)		L = 2.50 m Art. No.	€/m	KV (Unit)
6		RO 60 ATGB	15.28	120
8		RO 80 ATGB	17.15	120
10		RO 100 ATGB	18.04	120
12.5		RO 125 ATGB	18.90	120

Note:

The Schlüter-RONDEC-A profile in a height of 15 mm is not available with radius perforation. For 3 metre length, add "/300" to art. no. (e.g. RO 60 AE/300).

Schlüter®-RONDEC-AGSB


brushed graphite black anodised aluminium

H (mm)	L = 2.50 m Art. No.	€ / m	KV (Unit)
6	RO 60 AGSB	15.28	120
8	RO 80 AGSB	17.15	120
10	RO 100 AGSB	18.04	120
12.5	RO 125 AGSB	18.90	120


Corner | connector
Schlüter®-RONDEC-A/EV

 90° external corner,
solid aluminium

H (mm)	Art. No.	€ / U.	P (Unit)
6	EV / RO 60 ...*	8.69	50
8	EV / RO 80 ...*	9.07	50
9	EV / RO 90 ...**	9.26	50
10	EV / RO 100 ...*	9.42	50
11	EV / RO 110 ...**	9.57	50
12.5	EV / RO 125 ...*	9.82	50
15	EV / RO 150 ...**	10.15	50

Schlüter®-RONDEC-A/ED

 90° external corner,
die cast metal appearance

H (mm)	Art. No.	€ / U.	P (Unit)
6	ED / RO 60 ...***	3.76	50
8	ED / RO 80 ...***	3.76	50
9	ED / RO 90 ...**	3.76	50
10	ED / RO 100 ...***	3.76	50
11	ED / RO 110 ...**	3.76	50
12.5	ED / RO 125 ...***	3.76	50
15	ED / RO 150 ...**	3.76	50


Schlüter®-RONDEC-A/IV

 90° internal corner,
solid aluminium

H (mm)	Art. No.	€ / U.	P (Unit)
6	IV / RO 60 ...*	8.69	50
8	IV / RO 80 ...*	9.07	50
9	IV / RO 90 ...**	9.26	50
10	IV / RO 100 ...*	9.42	50
11	IV / RO 110 ...**	9.57	50
12.5	IV / RO 125 ...*	9.82	50
15	IV / RO 150 ...**	10.15	50

Schlüter®-RONDEC-A/ID

 90° internal corner,
die cast metal appearance

H (mm)	Art. No.	€ / U.	P (Unit)
6	ID / RO 60 ...***	3.76	50
8	ID / RO 80 ...***	3.76	50
9	ID / RO 90 ...**	3.76	50
10	ID / RO 100 ...***	3.76	50
11	ID / RO 110 ...**	3.76	50
12.5	ID / RO 125 ...***	3.76	50
15	ID / RO 150 ...**	3.76	50


Schlüter®-RONDEC-A/V

connector for aluminium profiles

H (mm)	Art. No.	€ / U.	P (Unit)
6	V / RO 60	1.27	50
8	V / RO 80	1.27	50
10	V / RO 100	1.27	50
11	V / RO 110	1.27	50
12.5	V / RO 125	1.27	50



Schlüter®-RONDEC-AV – suitable for Schlüter®-RONDEC and -QUADEC profiles. Except H = 6 mm; RONDEC and QUADEC connector is available in that case.


To complete the art. no., add the finish (e.g. EV / RO 60 ACGB)

* Finishes: ACG - ACGB - AE - AGSB - AK - AKG - AKGB - AM - AMG - AMGB - AT - ATG - ATGB

** Finishes: ACG - ACGB - AE

*** Finishes: ACG - ACGB - AE - AT - ATG - ATGB

For an overview of finishes and colours, please see page 142.



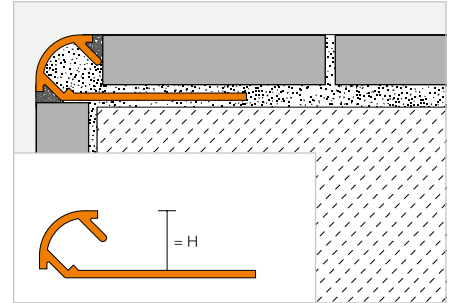
Finishing profile

Schlüter®-RONDEC-AC



Schlüter-RODEC-AC is a symmetrically rounded profile with integrated joint spacer for external wall corners and the edges of coverings, made of colour coated aluminium. The joint spacer creates a uniform grout joint with the tile.

(Product data sheet 2.1)



Schlüter®-RONDEC-AC



colour coated aluminium

H (mm)		L = 2.50 m Art. No.	€ / m	KV (Unit)
6	⊗	RO 60 ...*	7.93	120
8	⊗	RO 80 ...*	8.83	120
10	⊗	RO 100 ...*	9.70	120
11	⊗	RO 110 ...**	10.94	120
12.5	⊗	RO 125 ...*	12.10	120

For 3 metre length, add "/300" to art. no. (e.g. RO 60 BW/300).

Corner | connector

Schlüter®-RONDEC-AC/ED

90° external corner,
die cast metal appearance

H (mm)	Art. No.	€ / U.	P (Unit)
6	ED / RO 60 ...*	3.76	50
8	ED / RO 80 ...*	3.76	50
10	ED / RO 100 ...*	3.76	50
11	ED / RO 110 ...**	3.76	50
12.5	ED / RO 125 ...*	3.76	50

Schlüter®-RONDEC-AC/ID

90° internal corner,
die cast metal appearance

H (mm)	Art. No.	€ / U.	P (Unit)
6	ID / RO 60 ...*	3.76	50
8	ID / RO 80 ...*	3.76	50
10	ID / RO 100 ...*	3.76	50
11	ID / RO 110 ...**	3.76	50
12.5	ID / RO 125 ...*	3.76	50



Schlüter®-RONDEC-A/V

connector for aluminium profiles

H (mm)	Art. No.	€ / U.	P (Unit)
6	V / RO 60	1.27	50
8	V / RO 80	1.27	50
10	V / RO 100	1.27	50
11	V / RO 110	1.27	50
12.5	V / RO 125	1.27	50



Schlüter-RODEC-A/V – suitable for Schlüter-RODEC and -QUADEC profiles. Except H = 6 mm; RONDEC and QUADEC connector is available in that case.

To complete the art. no., add the colour (e.g. ID / RO 60 GM)



* Colours L = 2.50 m: BH - BW - G - GM - GS - HB - HG - MBW - MGS - PG - W

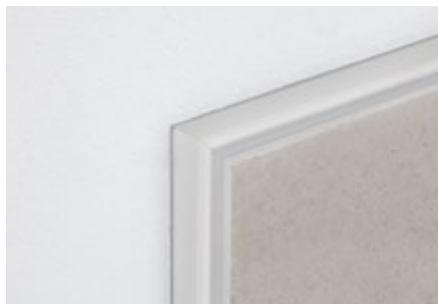
** Colours L = 2.50 m: BH - BW - MBW - MGS - PG - W

Colours L = 3.00 m: BW - MBW - MGS - PG - W

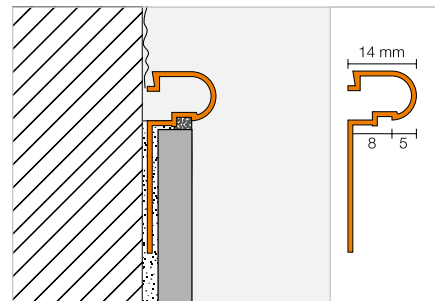
For an overview of finishes and colours, please see page 143-144.

Finishing profile

Schlüter®-RONDEC-DB



Schlüter-RODEC-DB is a decorative profile with a prominently rounded contour for wall and skirting edges.
(Product data sheet 2.5)



Schlüter®-RONDEC-DB-A

aluminium

L = 2.50 m Art. No.	€ / m	KV (Unit)
DB 14 A	8.83	120

Schlüter®-RONDEC-DB-AE

anodised aluminium

L = 2.50 m Art. No.	€ / m	KV (Unit)
DB 14 AE	11.87	120

Schlüter®-RONDEC-DB-AM

matte brass anodised aluminium

L = 2.50 m Art. No.	€ / m	KV (Unit)
DB 14 AM	11.87	120

Schlüter®-RONDEC-DB-AC

colour coated aluminium

L = 2.50 m Art. No.	€ / m	KV (Unit)
DB 14 ...*	13.74	120

To complete the art. no., add the colour (e.g. DB 14 MBW)



* Colours: BW - MBW - MGS

For an overview of finishes and colours, please see page 144.



Schlüter®-JOLLY

A popular classic – remade for you

JOLLY wall finishing profiles are among the most popular products in our range. We have now redesigned JOLLY for faster installation and even more appealing outcomes. Result:

- ✓ Geometry with 90 degree angle
- ✓ Corners with intelligent plug-in connectors
- ✓ No more mitre cuts needed
- ✓ Corners made of solid materials
- ✓ Corners fit on the right and left side



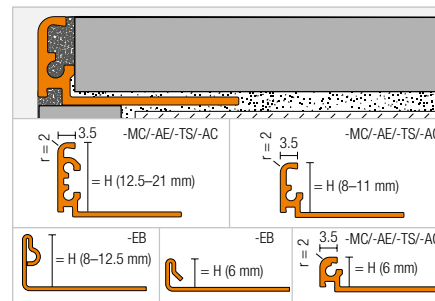
Finishing profile

Schlüter®-JOLLY



Schlüter-JOLLY is a decorative metal profile to finish and protect tiled external wall corners and other tiled edges, e.g. tiled skirting. The 90 degree angled finishing leg safeguards tiles against mechanical damage. The joint spacers on both sides create a uniform grout joint with the tile. The geometric profile undercutting offers additional bonding surface for the grout. The innovative plug-in connection of the corner pieces results in neat, visually appealing corner connections.

(Product data sheet 2.3)



Schlüter®-JOLLY-MC



chrome plated brass

H (mm)	L = 2.50 m Art. No.	€ / m	KV (Unit)
6	J 60 MC	29.15	120
8	J 80 MC	29.76	120
10	J 100 MC	30.35	120
11	J 110 MC	30.94	120
12.5	J 125 MC	31.54	120

Schlüter®-JOLLY-EB



brushed stainless steel V2A

H (mm)	L = 2.50 m Art. No.	€ / m	KV (Unit)
6	J 60 EB	17.39	120
8	J 80 EB	17.74	120
10	J 100 EB	18.08	120
11	J 110 EB	18.43	120
12.5	J 125 EB	18.79	120

Schlüter®-JOLLY-AE



anodised aluminium

H (mm)	L = 2.50 m Art. No.	€ / m	KV (Unit)
6	J 60 AE	5.65	120
8	J 80 AE	5.89	120
10	J 100 AE	6.25	120
11	J 110 AE	6.55	120
12.5	J 125 AE	6.96	120

For 3 metre length, add "/300" to art. no. (e.g. J 60 AE/300).

Corner | connector

Schlüter®-JOLLY-MC/EV

90° external corner,
solid chrome plated brass

H (mm)	Art. No.	€ / U.	P (Unit)
6	EV / J 60 MC	18.45	50
8	EV / J 80 MC	18.45	50
10	EV / J 100 MC	18.45	50
11	EV / J 110 MC	18.45	50
12.5	EV / J 125 MC	18.45	50

Schlüter®-JOLLY-EB/EV

90° external corner,
brushed solid stainless steel V2A

H (mm)	Art. No.	€ / U.	P (Unit)
6	EV / J 60 EB	24.92	50
8	EV / J 80 EB	24.92	50
10	EV / J 100 EB	24.92	50
11	EV / J 110 EB	24.92	50
12.5	EV / J 125 EB	24.92	50

Schlüter®-JOLLY-AE/EV

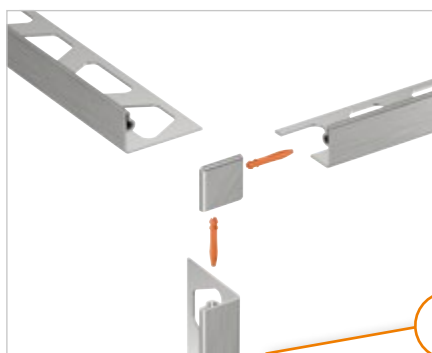
90° external corner,
anodised aluminium

H (mm)	Art. No.	€ / U.	P (Unit)
6	EV / J 60 AE	14.87	50
8	EV / J 80 AE	14.87	50
10	EV / J 100 AE	14.87	50
11	EV / J 110 AE	14.87	50
12.5	EV / J 125 AE	14.87	50

Schlüter®-JOLLY/V

connector for JOLLY profiles (4 units)

Art. No.	€ / Package	P (Package)
V / JPP 4	3.19	50



The scope of supply for corner pieces includes the connection pins.

For an overview of finishes and colours, please see page 142.



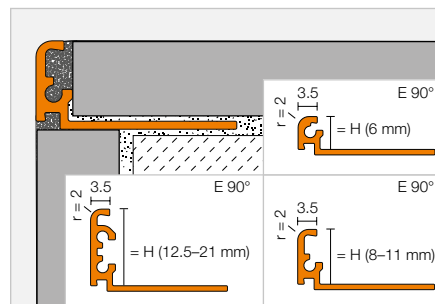
Finishing profile

Schlüter®-JOLLY-TS



Schlüter-JOLLY-TS is a decorative profile to finish and protect tiled external wall corners and other tiled edges, e.g. in tiled skirtings. The 90 degree angled finishing leg safeguards tiles against mechanical damage. The profiles are made from powder-coated, textured aluminium. The joint spacers on both sides create a uniform grout joint with the tile. The geometric profile undercutting offers additional bonding surface for the grout. The innovative plug-in connection of the corner pieces results in neat, visually appealing corner connections.

(Product data sheet 2.3)



Schlüter®-JOLLY-TSI



textured natural ivory

H (mm)		L = 2.50 m Art. No.	€ / m	KV (Unit)
6	⊗	J 60 TSI	13.39	120
8	⊗	J 80 TSI	14.28	120
10	⊗	J 100 TSI	14.58	120
11	⊗	J 110 TSI	14.87	120
12.5	⊗	J 125 TSI	15.47	120
14		J 140 TSI	16.06	120
16		J 160 TSI	16.66	120
21		J 210 TSI	17.25	120

Schlüter®-JOLLY-TSC



textured natural cream

H (mm)		L = 2.50 m Art. No.	€ / m	KV (Unit)
6	⊗	J 60 TSC	13.39	120
8	⊗	J 80 TSC	14.28	120
10	⊗	J 100 TSC	14.58	120
11	⊗	J 110 TSC	14.87	120
12.5	⊗	J 125 TSC	15.47	120

Schlüter®-JOLLY-TSBG



textured natural beige grey

H (mm)		L = 2.50 m Art. No.	€ / m	KV (Unit)
6	⊗	J 60 TSBG	13.39	120
8	⊗	J 80 TSBG	14.28	120
10	⊗	J 100 TSBG	14.58	120
11	⊗	J 110 TSBG	14.87	120
12.5	⊗	J 125 TSBG	15.47	120

Schlüter®-JOLLY-TSB



textured natural beige

H (mm)		L = 2.50 m Art. No.	€ / m	KV (Unit)
6	⊗	J 60 TSB	13.39	120
8	⊗	J 80 TSB	14.28	120
10	⊗	J 100 TSB	14.58	120
11	⊗	J 110 TSB	14.87	120
12.5	⊗	J 125 TSB	15.47	120

Schlüter®-JOLLY-TSSG



textured natural stone grey

H (mm)		L = 2.50 m Art. No.	€ / m	KV (Unit)
6	⊗	J 60 TSSG	13.39	120
8	⊗	J 80 TSSG	14.28	120
10	⊗	J 100 TSSG	14.58	120
11	⊗	J 110 TSSG	14.87	120
12.5	⊗	J 125 TSSG	15.47	120
14		J 140 TSSG	16.06	120
16		J 160 TSSG	16.66	120
21		J 210 TSSG	17.25	120

Schlüter®-JOLLY-TSG



textured natural grey

H (mm)		L = 2.50 m Art. No.	€ / m	KV (Unit)
6	⊗	J 60 TSG	13.39	120
8	⊗	J 80 TSG	14.28	120
10	⊗	J 100 TSG	14.58	120
11	⊗	J 110 TSG	14.87	120
12.5	⊗	J 125 TSG	15.47	120

Schlüter®-JOLLY-TSOB



textured natural bronze

H (mm)		L = 2.50 m Art. No.	€ / m	KV (Unit)
6	⊗	J 60 TSOB	13.39	120
8	⊗	J 80 TSOB	14.28	120
10	⊗	J 100 TSOB	14.58	120
11	⊗	J 110 TSOB	14.87	120
12.5	⊗	J 125 TSOB	15.47	120
14		J 140 TSOB	16.06	120
16		J 160 TSOB	16.66	120
21		J 210 TSOB	17.25	120

Schlüter®-JOLLY-TSLA



textured natural light anthracite

H (mm)		L = 2.50 m Art. No.	€ / m	KV (Unit)
6	⊗	J 60 TSLA	13.39	120
8	⊗	J 80 TSLA	14.28	120
10	⊗	J 100 TSLA	14.58	120
11	⊗	J 110 TSLA	14.87	120
12.5	⊗	J 125 TSLA	15.47	120

Schlüter®-JOLLY-TSDA



textured natural dark anthracite

H (mm)		L = 2.50 m Art. No.	€ / m	KV (Unit)
6	⊗	J 60 TSDA	13.39	120
8	⊗	J 80 TSDA	14.28	120
10	⊗	J 100 TSDA	14.58	120
11	⊗	J 110 TSDA	14.87	120
12.5	⊗	J 125 TSDA	15.47	120

For 3 metre length, add "/300" to art. no. (e.g. J 60 TSI/300).

Schlüter®-JOLLY-TSR


textured natural rustic brown

H (mm)	L = 2.50 m Art. No.	€ / m	KV (Unit)
6	J 60 TSR	13.39	120
8	J 80 TSR	14.28	120
10	J 100 TSR	14.58	120
11	J 110 TSR	14.87	120
12.5	J 125 TSR	15.47	120

For 3 metre length, add "/300" to art. no.
(e.g. J 60 TSI/300).

Schlüter®-JOLLY-MBW


colour coated aluminium, matte brilliant white

H (mm)	L = 2.50 m Art. No.	€ / m	KV (Unit)
6	J 60 MBW	6.96	120
8	J 80 MBW	7.38	120
10	J 100 MBW	7.97	120
11	J 110 MBW	8.27	120
12.5	J 125 MBW	8.63	120
14	J 140 MBW	8.87	120
16	J 160 MBW	9.23	120
21	J 210 MBW	9.64	120

Schlüter®-JOLLY-MGS


colour coated aluminium, matte graphite black

H (mm)	L = 2.50 m Art. No.	€ / m	KV (Unit)
6	J 60 MGS	6.96	120
8	J 80 MGS	7.38	120
10	J 100 MGS	7.97	120
11	J 110 MGS	8.27	120
12.5	J 125 MGS	8.63	120
14	J 140 MGS	8.87	120
16	J 160 MGS	9.23	120
21	J 210 MGS	9.64	120

Corner | connector
Schlüter®-JOLLY-TS/EV

 90° external corner
aluminium, textured natural

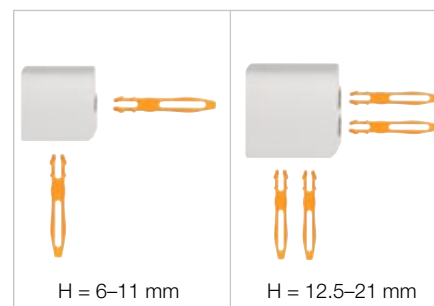
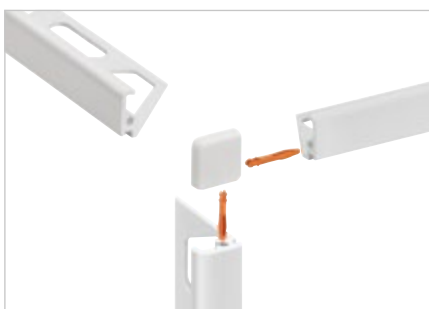
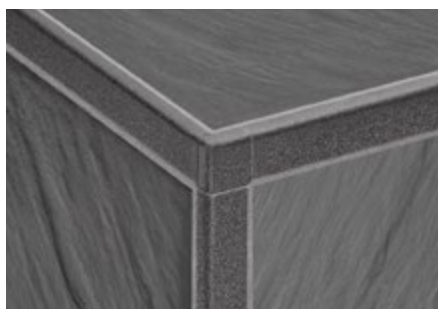
H (mm)	Art. No.	€ / U.	P (Unit)
6	EV / J 60 ...*	14.87	50
8	EV / J 80 ...*	14.87	50
10	EV / J 100 ...*	14.87	50
11	EV / J 110 ...*	14.87	50
12.5	EV / J 125 ...*	14.87	50
14	EV / J 140 ...**	17.25	50
16	EV / J 160 ...**	17.25	50
21	EV / J 210 ...**	17.25	50

Schlüter®-JOLLY-AC/EV

 90° external corner for JOLLY-MBW/-MGS,
colour coated aluminium

H (mm)	Art. No.	€ / U.	P (Unit)
6	EV / J 60 ...***	14.28	50
8	EV / J 80 ...***	14.28	50
10	EV / J 100 ...***	14.28	50
11	EV / J 110 ...***	14.28	50
12.5	EV / J 125 ...***	14.28	50
14	EV / J 140 ...***	17.07	50
16	EV / J 160 ...***	17.07	50
21	EV / J 210 ...***	17.07	50

i
The scope of supply for corner
pieces includes the connection pins.


Schlüter®-JOLLY/V

connector for JOLLY profiles (4 units)

Art. No.	€ / Package	P (Package)
V / JPP 4	3.19	50



To complete the art. no., add the finish/colour (e.g. EV / J 60 MGS)

* Finishes/colours: TSB - TSBG - TSC - TSDA - TSG - TSI - TSLA - TSOB - TSR - TSSG

** Finishes/colours: TSI - TSOB - TSSG

*** Finishes/colours: MBW - MGS

Available finishes | colours


For an overview of finishes and colours, please see page 143-144.



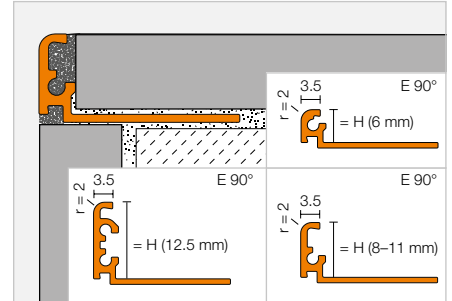
Finishing profile

Schlüter®-JOLLY-A



Schlüter-JOLLY-A is a decorative profile made of anodised aluminium to finish and protect tiled external wall corners and other tiled edges, e.g. tiled skirting. The 90 degree angled finishing leg safeguards tiles against mechanical damage. The joint spacers on both sides create a uniform grout joint with the tile. The geometric profile undercutting offers additional bonding surface for the grout. The innovative plug-in connection of the corner pieces results in neat, visually appealing corner connections.

(Product data sheet 2.3)



Schlüter®-JOLLY-ACG



polished chrome anodised aluminium

H (mm)		L = 2.50 m Art. No.	€ / m	KV (Unit)
6	⊗	J 60 ACG	13.39	120
8	⊗	J 80 ACG	14.28	120
10	⊗	J 100 ACG	14.58	120
11	⊗	J 110 ACG	14.87	120
12.5	⊗	J 125 ACG	15.17	120

Schlüter®-JOLLY-ACGB



brushed chrome anodised aluminium

H (mm)		L = 2.50 m Art. No.	€ / m	KV (Unit)
6		J 60 ACGB	13.39	120
8		J 80 ACGB	14.28	120
10		J 100 ACGB	14.58	120
11		J 110 ACGB	14.87	120
12.5		J 125 ACGB	15.17	120

For 3 metre length, add "/300" to art. no.
(e.g. J 60 ACG/300).

Schlüter®-JOLLY-AM



matte brass anodised aluminium

H (mm)		L = 2.50 m Art. No.	€ / m	KV (Unit)
6		J 60 AM	11.25	120
8		J 80 AM	11.60	120
10		J 100 AM	11.90	120
11		J 110 AM	12.20	120
12.5		J 125 AM	12.49	120

Schlüter®-JOLLY-AMG



polished brass anodised aluminium

H (mm)		L = 2.50 m Art. No.	€ / m	KV (Unit)
6		J 60 AMG	13.39	120
8		J 80 AMG	14.28	120
10		J 100 AMG	14.58	120
11		J 110 AMG	14.87	120
12.5		J 125 AMG	15.17	120

Schlüter®-JOLLY-AMGB



brushed brass anodised aluminium

H (mm)		L = 2.50 m Art. No.	€ / m	KV (Unit)
6		J 60 AMGB	13.39	120
8		J 80 AMGB	14.28	120
10		J 100 AMGB	14.58	120
11		J 110 AMGB	14.87	120
12.5		J 125 AMGB	15.17	120

Schlüter®-JOLLY-AK



matte copper/bronze anodised aluminium

H (mm)		L = 2.50 m Art. No.	€ / m	KV (Unit)
6		J 60 AK	11.25	120
8		J 80 AK	11.60	120
10		J 100 AK	11.90	120
11		J 110 AK	12.20	120
12.5		J 125 AK	12.49	120

Schlüter®-JOLLY-AKG



polished copper/bronze anodised aluminium

H (mm)		L = 2.50 m Art. No.	€ / m	KV (Unit)
6		J 60 AKG	13.39	120
8		J 80 AKG	14.28	120
10		J 100 AKG	14.58	120
11		J 110 AKG	14.87	120
12.5		J 125 AKG	15.17	120

Schlüter®-JOLLY-AKGB



brushed copper/bronze anodised aluminium

H (mm)		L = 2.50 m Art. No.	€ / m	KV (Unit)
6		J 60 AKGB	13.39	120
8		J 80 AKGB	14.28	120
10		J 100 AKGB	14.58	120
11		J 110 AKGB	14.87	120
12.5		J 125 AKGB	15.17	120

Schlüter®-JOLLY-AT



matte titanium anodised aluminium

H (mm)		L = 2.50 m Art. No.	€ / m	KV (Unit)
6		J 60 AT	11.25	120
8		J 80 AT	11.60	120
10		J 100 AT	11.90	120
11		J 110 AT	12.20	120
12.5		J 125 AT	12.49	120

Schlüter®-JOLLY-ATG



polished titanium anodised aluminium

H (mm)		L = 2.50 m Art. No.	€ / m	KV (Unit)
6		J 60 ATG	13.39	120
8		J 80 ATG	14.28	120
10		J 100 ATG	14.58	120
11		J 110 ATG	14.87	120
12.5		J 125 ATG	15.17	120

Schlüter®-JOLLY-ATGB



brushed titanium anodised aluminium

H (mm)		L = 2.50 m Art. No.	€ / m	KV (Unit)
6		J 60 ATGB	13.39	120
8		J 80 ATGB	14.28	120
10		J 100 ATGB	14.58	120
11		J 110 ATGB	14.87	120
12.5		J 125 ATGB	15.17	120

Schlüter®-JOLLY-ABGB


brushed antique bronze anodised aluminium

H (mm)	L = 2.50 m Art. No.	€ / m	KV (Unit)
6	J 60 ABGB	13.39	120
8	J 80 ABGB	14.28	120
10	J 100 ABGB	14.58	120
11	J 110 ABGB	14.87	120
12.5	J 125 ABGB	15.17	120

Schlüter®-JOLLY-AGRB


brushed chrome graphite anodised aluminium

H (mm)	L = 2.50 m Art. No.	€ / m	KV (Unit)
6	J 60 AGRB	13.39	120
8	J 80 AGRB	14.28	120
10	J 100 AGRB	14.58	120
11	J 110 AGRB	14.87	120
12.5	J 125 AGRB	15.17	120

Schlüter®-JOLLY-AGSG

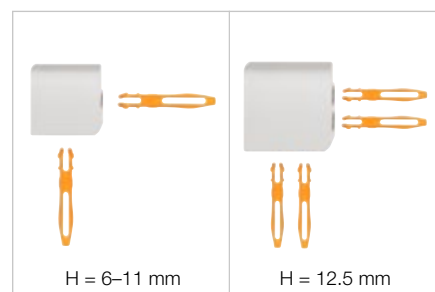
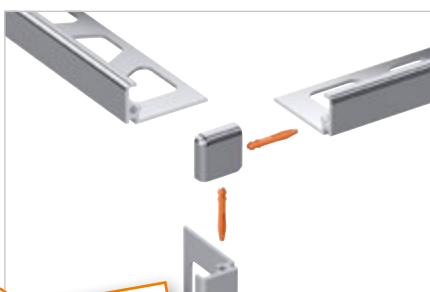

polished chrome black anodised aluminium

H (mm)	L = 2.50 m Art. No.	€ / m	KV (Unit)
6	J 60 AGSG	13.39	120
8	J 80 AGSG	14.28	120
10	J 100 AGSG	14.58	120
11	J 110 AGSG	14.87	120
12.5	J 125 AGSG	15.17	120

Corner | connector
Schlüter®-JOLLY-A/EV

90° external corner, solid aluminium

H (mm)	Art. No.	€ / U.	P (Unit)
6	EV / J 60 ...*	16.06	50
8	EV / J 80 ...*	16.06	50
10	EV / J 100 ...*	16.06	50
11	EV / J 110 ...*	16.06	50
12.5	EV / J 125 ...*	16.06	50



i
The scope of supply for corner pieces includes the connection pins.

Schlüter®-JOLLY/V

connector for JOLLY profiles (4 units)

Art. No.	€ / Package	P (Package)
V / JPP 4	3.19	50



To complete the art. no., add the finish (e.g. EV / J 60 ACG)

* Finishes: ABGB - ACG - ACGB - AGRB - AGSG - AK - AKG - AKGB - AM - AMG - AMGB - AT - ATG - ATGB

For an overview of finishes and colours, please see page 142.

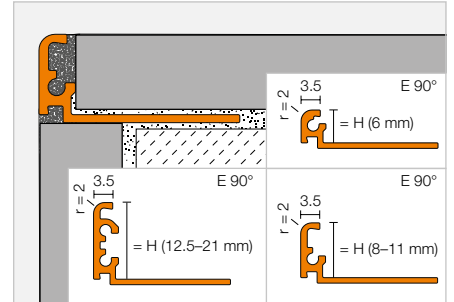


Finishing profile

Schlüter®-JOLLY-AC



Schlüter-JOLLY-AC is a decorative profile made of colour-coated aluminium to finish and protect tiled external wall corners and other tiled edges, e.g. tiled skirting. The 90 degree angled finishing leg safeguards tiles against mechanical damage. The joint spacers on both sides create a uniform grout joint with the tile. The geometric profile undercutting offers additional bonding surface for the grout. The innovative plug-in connection of the corner pieces results in neat, visually appealing corner connections.



(Product data sheet 2.3)

Schlüter®-JOLLY-AC



colour coated aluminium

H (mm)		L = 2.50 m Art. No.	€ / m	KV (Unit)
6	Ⓜ	J 60 ...*	6.96	120
8	Ⓜ	J 80 ...*	7.38	120
10	Ⓜ	J 100 ...*	7.97	120
11	Ⓜ	J 110 ...*	8.27	120
12.5	Ⓜ	J 125 ...*	8.63	120
14		J 140 ...**	8.87	120
16		J 160 ...**	9.23	120
21		J 210 ...**	9.64	120

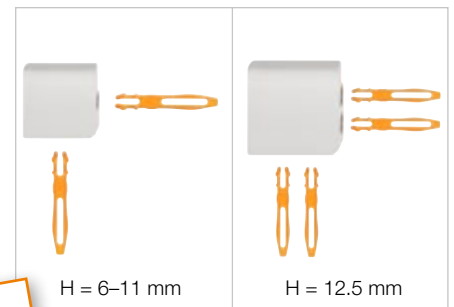
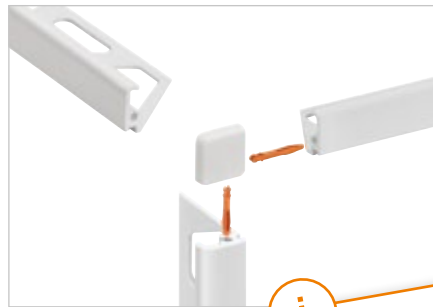
For 3 metre length, add "/300" to art. no. (e.g. J 60 BW/300).

Corner | connector

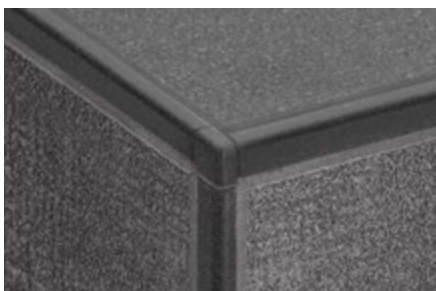
Schlüter®-JOLLY-AC/EV

90° external corner,
colour coated aluminium

H (mm)	Art. No.	€ / U.	P (Unit)
6	EV / J 60 ...*	14.28	50
8	EV / J 80 ...*	14.28	50
10	EV / J 100 ...*	14.28	50
11	EV / J 110 ...*	14.28	50
12.5	EV / J 125 ...*	14.28	50
14	EV / J 140 ...**	17.07	50
16	EV / J 160 ...**	17.07	50
21	EV / J 210 ...**	17.07	50



i
The scope of supply for corner pieces includes the connection pins.



To complete the art. no., add the colour (e.g. EV / J 60 MBW)



* Colours L = 2.50 m: BW - G - GM - GS - MBW - MGS - PG - SB - W

** Colours L = 2.50 m: BW - MBW - MGS

Colours L = 3.00 m: BW - GS - MBW - MGS - PG - W

For an overview of finishes and colours, please see page 143-144.

Schlüter®-JOLLY/V

connector for JOLLY profiles (4 units)

Art. No.	€ / Package	P (Package)
V / JPP 4	3.19	50



Schlüter®-FINEC

Fine attention to detail

Less is more. True to this motto, Schlüter-FINEC creates an elegant, slim corner profile for perfect wall design. Schlüter-FINEC combines high material quality with minimalist design. Available in:

- ✓ Stainless steel
- ✓ Anodised aluminium
- ✓ Textured coated aluminium
- ✓ Colour coated aluminium
- ✓ All variants also available as corner sets





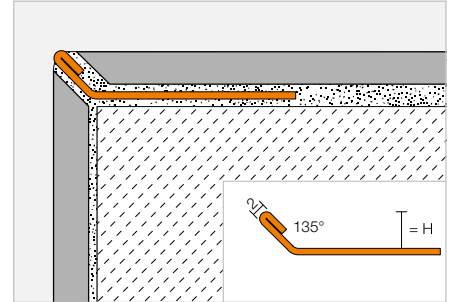
Finishing profile

Schlüter®-FINEC-E



Schlüter-FINEC-E is a high-quality finishing profile made of stainless steel for the external edges of tile coverings, mosaics or rendered surfaces. The finishing leg of the profile protects the covering edges from mechanical damage and creates an elegant, slim corner detail. FINEC-E made of stainless steel is also suitable for use in staircases as a slim edge protection for tiles and rendered surface coatings.

(Product data sheet 2.17)



Schlüter®-FINEC-E

stainless steel V2A

H (mm)	L = 2.50 m Art. No.	€ / m	KV (Unit)
4.5	F 45 E	11.00	120
7	F 70 E	12.99	120
9	F 90 E	13.59	120
11	F 110 E	14.46	120
12.5	F 125 E	14.90	120



Corner set

Schlüter®-FINEC-E/ES

corner set, stainless steel V2A

H (mm)	Art. No.	€ / Set	P (Set)
4.5	ES / F 45 E	38.12	50
7	ES / F 70 E	38.12	50
9	ES / F 90 E	38.12	50
11	ES / F 110 E	38.12	50
12.5	ES / F 125 E	38.12	50



Note:

The corner set includes three parts with L = 10 cm, respectively.



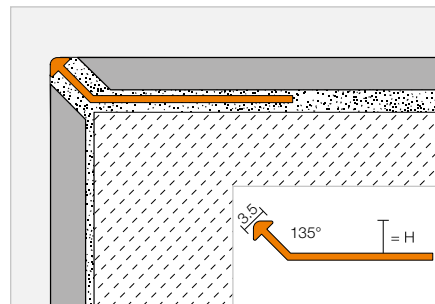
Finishing profile

Schlüter®-FINEC-A



Schlüter-FINEC-A is a high-quality finishing profile made of anodised or colour coated aluminium for the external edges of tile coverings, mosaics or rendered surfaces. The finishing leg of the profile protects the covering edges from mechanical damage and creates an elegant, slim corner detail.

(Product data sheet 2.17)



Schlüter®-FINEC-AE

anodised aluminium

H (mm)	L = 2.50 m Art. No.	€ / m	KV (Unit)
2.5	F 25 AE	6.68	120
4.5	F 45 AE	6.75	120
7	F 70 AE	7.06	120
9	F 90 AE	7.45	120
11	F 110 AE	8.04	120
12.5	F 125 AE	8.29	120



Schlüter®-FINEC-AC

colour coated aluminium

H (mm)	L = 2.50 m Art. No.	€ / m	KV (Unit)
2.5	F 25 ...*	7.20	120
4.5	F 45 ...**	7.45	120
7	F 70 ...**	7.85	120
9	F 90 ...**	7.97	120
11	F 110 ...**	8.10	120
12.5	F 125 ...**	8.35	120

Corner set

Schlüter®-FINEC-AE/ES

corner set, anodised aluminium

H (mm)	Art. No.	€ / Set	P (Set)
2.5	ES / F 25 AE	20.59	50
4.5	ES / F 45 AE	20.59	50
7	ES / F 70 AE	20.59	50
9	ES / F 90 AE	20.59	50
11	ES / F 110 AE	20.59	50
12.5	ES / F 125 AE	20.59	50



Schlüter®-FINEC-AC/ES

corner set, colour coated aluminium

H (mm)	Art. No.	€ / Set	P (Set)
2.5	ES / F 25 ...*	20.59	50
4.5	ES / F 45 ...**	20.59	50
7	ES / F 70 ...**	20.59	50
9	ES / F 90 ...**	20.59	50
11	ES / F 110 ...**	20.59	50
12.5	ES / F 125 ...**	20.59	50

Note:

The corner set includes three parts with L = 10 cm, respectively.

To complete the art. no., add the colour (e.g. ES / F 25 MBW)



* Colours: MBW

** Colours: MBW - MGS

For an overview of finishes and colours, please see page 144.



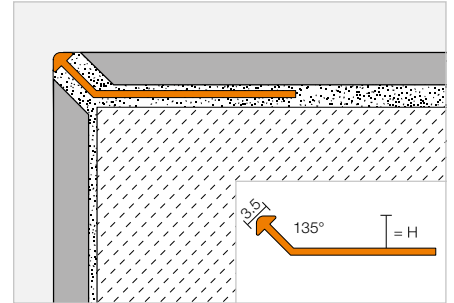
Finishing profile

Schlüter®-FINEC-TS



Schlüter-FINEC-TS is a high-quality finishing profile made of anodised aluminium with a special coating structure and texture for the external edges of tile coverings, mosaics or rendered surfaces. The finishing leg of the profile protects the covering edges from mechanical damage and creates an elegant, slim corner detail.

(Product data sheet 2.17)



Schlüter®-FINEC-TSI

textured natural ivory

H (mm)	L = 2.50 m Art. No.	€ / m	KV (Unit)
4.5	F 45 TSI	15.03	120
7	F 70 TSI	16.13	120
9	F 90 TSI	16.39	120
11	F 110 TSI	17.43	120
12.5	F 125 TSI	18.21	120

Schlüter®-FINEC-TSC

textured natural cream

H (mm)	L = 2.50 m Art. No.	€ / m	KV (Unit)
4.5	F 45 TSC	15.03	120
7	F 70 TSC	16.13	120
9	F 90 TSC	16.39	120
11	F 110 TSC	17.43	120
12.5	F 125 TSC	18.21	120

Schlüter®-FINEC-TSBG

textured natural beige grey

H (mm)	L = 2.50 m Art. No.	€ / m	KV (Unit)
4.5	F 45 TSBG	15.03	120
7	F 70 TSBG	16.13	120
9	F 90 TSBG	16.39	120
11	F 110 TSBG	17.43	120
12.5	F 125 TSBG	18.21	120

Schlüter®-FINEC-TSB

textured natural beige

H (mm)	L = 2.50 m Art. No.	€ / m	KV (Unit)
4.5	F 45 TSB	15.03	120
7	F 70 TSB	16.13	120
9	F 90 TSB	16.39	120
11	F 110 TSB	17.43	120
12.5	F 125 TSB	18.21	120

Schlüter®-FINEC-TSSG

textured natural stone grey

H (mm)	L = 2.50 m Art. No.	€ / m	KV (Unit)
4.5	F 45 TSSG	15.03	120
7	F 70 TSSG	16.13	120
9	F 90 TSSG	16.39	120
11	F 110 TSSG	17.43	120
12.5	F 125 TSSG	18.21	120

Schlüter®-FINEC-TSG

textured natural grey

H (mm)	L = 2.50 m Art. No.	€ / m	KV (Unit)
4.5	F 45 TSG	15.03	120
7	F 70 TSG	16.13	120
9	F 90 TSG	16.39	120
11	F 110 TSG	17.43	120
12.5	F 125 TSG	18.21	120

Schlüter®-FINEC-TSOB

textured natural bronze

H (mm)	L = 2.50 m Art. No.	€ / m	KV (Unit)
4.5	F 45 TSOB	15.03	120
7	F 70 TSOB	16.13	120
9	F 90 TSOB	16.39	120
11	F 110 TSOB	17.43	120
12.5	F 125 TSOB	18.21	120

Schlüter®-FINEC-TSLA

textured natural light anthracite

H (mm)	L = 2.50 m Art. No.	€ / m	KV (Unit)
4.5	F 45 TSLA	15.03	120
7	F 70 TSLA	16.13	120
9	F 90 TSLA	16.39	120
11	F 110 TSLA	17.43	120
12.5	F 125 TSLA	18.21	120

Schlüter®-FINEC-TSDA

textured natural dark anthracite

H (mm)	L = 2.50 m Art. No.	€ / m	KV (Unit)
4.5	F 45 TSDA	15.03	120
7	F 70 TSDA	16.13	120
9	F 90 TSDA	16.39	120
11	F 110 TSDA	17.43	120
12.5	F 125 TSDA	18.21	120

Schlüter®-FINEC-TSR

textured natural rustic brown

H (mm)	L = 2.50 m Art. No.	€ / m	KV (Unit)
-	-	-	-
4.5	F 45 TSR	15.03	120
7	F 70 TSR	16.13	120
9	F 90 TSR	16.39	120
11	F 110 TSR	17.43	120
12.5	F 125 TSR	18.21	120

Schlüter®-FINEC-MBW

colour coated aluminium, matte brilliant white

H (mm)	L = 2.50 m Art. No.	€ / m	KV (Unit)
2.5	F 25 MBW	7.20	120
4.5	F 45 MBW	7.45	120
7	F 70 MBW	7.85	120
9	F 90 MBW	7.97	120
11	F 110 MBW	8.10	120
12.5	F 125 MBW	8.35	120

Schlüter®-FINEC-MGS

colour coated aluminium, matte graphite black

H (mm)	L = 2.50 m Art. No.	€ / m	KV (Unit)
-	-	-	-
4.5	F 45 MGS	7.45	120
7	F 70 MGS	7.85	120
9	F 90 MGS	7.97	120
11	F 110 MGS	8.10	120
12.5	F 125 MGS	8.35	120

Corner set



Schlüter®-FINEC-TS/ES

corner set, aluminium, textured

H (mm)	Art. No.	€ / Set	P (Set)
4.5	ES / F 45 ...*	25.16	50
7	ES / F 70 ...*	25.16	50
9	ES / F 90 ...*	25.16	50
11	ES / F 110 ...*	25.16	50
12.5	ES / F 125 ...*	25.16	50



Schlüter®-FINEC-TS/ES

corner set, colour coated aluminium

H (mm)	Art. No.	€ / Set	P (Set)
2.5	ES / F 25 ...**	20.59	50
4.5	ES / F 45 ...***	20.59	50
7	ES / F 70 ...***	20.59	50
9	ES / F 90 ...***	20.59	50
11	ES / F 110 ...***	20.59	50
12.5	ES / F 125 ...***	20.59	50

Note:

The corner set includes three parts with L = 10 cm, respectively.

To complete the art. no., add the finish/colour (e.g. ES / F 25 MBW)

* Finishes/colours: TSB - TSBG - TSC - TSDA - TSG - TSI - TSLA - TSOB - TSR - TSSG

** Finishes/colours: MBW

*** Finishes/colours: MBW - MGS

Available finishes | colours



For an overview of finishes and colours, please see page 143-144.

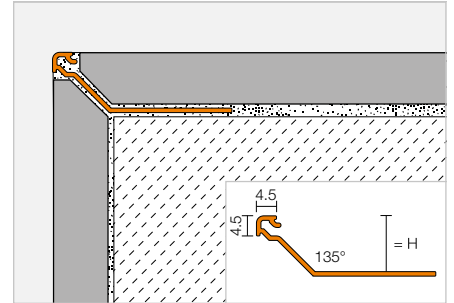


Finishing profile

Schlüter®-FINEC-SQ



Schlüter-FINEC-SQ is a high-quality finishing profile made of anodised, colour coated or textured aluminium for the external edges of tile coverings. The profile protects the covering edges from mechanical damage and creates an elegant, slim square corner detail. (Product data sheet 2.17)



Schlüter®-FINEC-SQ-AE

anodised aluminium

H (mm)	L = 2.50 m Art. No.	€ / m	KV (Unit)
11	F SQ 110 AE	7.53	120
12.5	F SQ 125 AE	8.12	120
15	F SQ 150 AE	8.69	120

Schlüter®-FINEC-SQ-TSI

textured natural ivory

H (mm)	L = 2.50 m Art. No.	€ / m	KV (Unit)
11	F SQ 110 TSI	16.81	120
12.5	F SQ 125 TSI	17.21	120
15	F SQ 150 TSI	17.57	120

Schlüter®-FINEC-SQ-TSC

textured natural cream

H (mm)	L = 2.50 m Art. No.	€ / m	KV (Unit)
11	F SQ 110 TSC	16.81	120
12.5	F SQ 125 TSC	17.21	120
15	F SQ 150 TSC	17.57	120

Schlüter®-FINEC-SQ-TSBG

textured natural beige grey

H (mm)	L = 2.50 m Art. No.	€ / m	KV (Unit)
11	F SQ 110 TSBG	16.81	120
12.5	F SQ 125 TSBG	17.21	120
15	F SQ 150 TSBG	17.57	120

Schlüter®-FINEC-SQ-TSB

textured natural beige

H (mm)	L = 2.50 m Art. No.	€ / m	KV (Unit)
11	F SQ 110 TSB	16.81	120
12.5	F SQ 125 TSB	17.21	120
15	F SQ 150 TSB	17.57	120

Schlüter®-FINEC-SQ-TSSG

textured natural stone grey

H (mm)	L = 2.50 m Art. No.	€ / m	KV (Unit)
11	F SQ 110 TSSG	16.81	120
12.5	F SQ 125 TSSG	17.21	120
15	F SQ 150 TSSG	17.57	120

Schlüter®-FINEC-SQ-TSG

textured natural grey

H (mm)	L = 2.50 m Art. No.	€ / m	KV (Unit)
11	F SQ 110 TSG	16.81	120
12.5	F SQ 125 TSG	17.21	120
15	F SQ 150 TSG	17.57	120

Schlüter®-FINEC-SQ-TSOB

textured natural bronze

H (mm)	L = 2.50 m Art. No.	€ / m	KV (Unit)
11	F SQ 110 TSOB	16.81	120
12.5	F SQ 125 TSOB	17.21	120
15	F SQ 150 TSOB	17.57	120

Schlüter®-FINEC-SQ-TSLA

textured natural light anthracite

H (mm)	L = 2.50 m Art. No.	€ / m	KV (Unit)
11	F SQ 110 TSLA	16.81	120
12.5	F SQ 125 TSLA	17.21	120
15	F SQ 150 TSLA	17.57	120

Schlüter®-FINEC-SQ-TSDA

textured natural dark anthracite

H (mm)	L = 2.50 m Art. No.	€ / m	KV (Unit)
11	F SQ 110 TSDA	16.81	120
12.5	F SQ 125 TSDA	17.21	120
15	F SQ 150 TSDA	17.57	120

Schlüter®-FINEC-SQ-TSR

textured natural rustic brown

H (mm)	L = 2.50 m Art. No.	€ / m	KV (Unit)
11	F SQ 110 TSR	16.81	120
12.5	F SQ 125 TSR	17.21	120
15	F SQ 150 TSR	17.57	120

Schlüter®-FINEC-SQ-MBW

colour coated aluminium, matte brilliant white

H (mm)	L = 2.50 m Art. No.	€ / m	KV (Unit)
11	F SQ 110 MBW	9.86	120
12.5	F SQ 125 MBW	10.43	120
15	F SQ 150 MBW	11.01	120

Schlüter®-FINEC-SQ-MGS

colour coated aluminium, matte graphite black

H (mm)	L = 2.50 m Art. No.	€ / m	KV (Unit)
11	F SQ 110 MGS	9.86	120
12.5	F SQ 125 MGS	10.43	120
15	F SQ 150 MGS	11.01	120

Corner

Schlüter®-QUADEC-A/EV

90° external/internal corner, solid aluminium

H (mm)	Art. No.	€ / U.	P (Unit)
4.5	EV / Q 45 AE	8.51	50

Schlüter®-QUADEC-A/ED

90° external corner, aluminium appearance

H (mm)	Art. No.	€ / U.	P (Unit)
4.5	ED / Q 45 E	4.74	50

Schlüter®-QUADEC-TS/EV

90° external/internal corner, aluminium

H (mm)	Art. No.	€ / U.	P (Unit)
4.5	EV / Q 45 ...*	12.52	50

Schlüter®-QUADEC-AC/EV

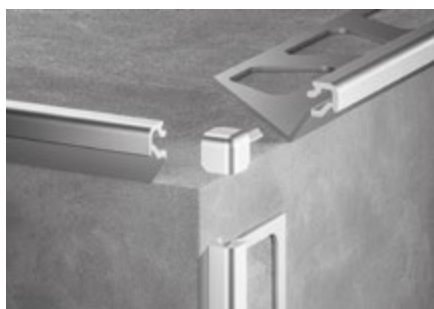
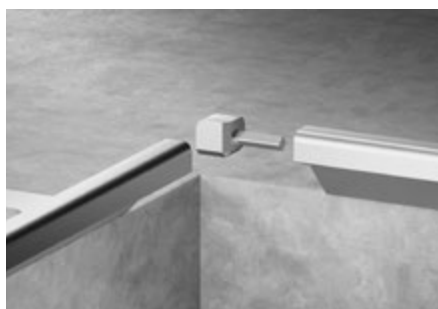
90° external/internal corner for QUADEC-MBW/-MGS, solid aluminium

H (mm)	Art. No.	€ / U.	P (Unit)
4.5	EV / Q 45 ...**	12.52	50

Schlüter®-QUADEC-AC/ED

90° external corner for QUADEC-MBW/-MGS, die cast metal appearance

H (mm)	Art. No.	€ / U.	P (Unit)
4.5	ED / Q 45 ...**	4.67	50



To complete the art. no., add the finish/colour (e.g. EV / Q 45 TSBG)

* Finishes/colours: TSB - TSBG - TSC - TSDA - TSG - TSI - TSLA - TSOB - TSR - TSSG

** Finishes/colours: MBW - MGS

Available finishes | colours



For an overview of finishes and colours, please see page 143-144.



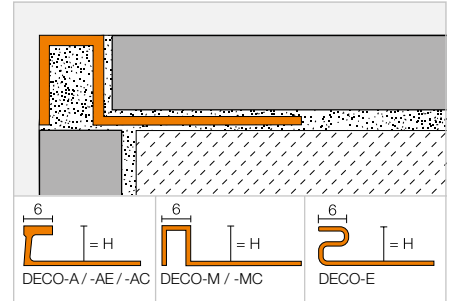
Finishing profile

Schlüter®-DECO



Schlüter-DECO is a profile with a 6 mm wide visible surface for decorative joint design in tile coverings. Schlüter-DECO-M and -MC can also be used as finishing profiles for external wall corners. Schlüter-DECO of aluminium, brass and stainless steel is also suitable for designing floor coverings.

(Product data sheet 1.6)



Schlüter®-DECO-E

stainless steel V2A

H (mm)	L = 2.50 m Art. No.	€ / m	KV (Unit)
8	E 80 D	16.52	120
9	E 90 D	16.75	120
10	E 100 D	16.99	120
11	E 110 D	17.24	120
12.5	E 125 D	17.62	120
14	E 140 D	17.91	120
16	E 160 D	18.49	120
18.5	E 185 D	19.07	120
21	E 210 D	19.66	120
25	E 250 D	20.73	120
30	E 300 D	21.95	120

Schlüter®-DECO-MC

chrome plated brass

H (mm)	L = 2.50 m Art. No.	€ / m	KV (Unit)
9	MC 90 D	38.75	120
11	MC 110 D	39.90	120
12.5	MC 125 D	40.65	120

Schlüter®-DECO-M

brass

H (mm)	L = 2.50 m Art. No.	€ / m	KV (Unit)
9	M 90 D	17.67	120
11	M 110 D	18.44	120
12.5	M 125 D	19.48	120

Schlüter®-DECO-A

aluminium

H (mm)	L = 2.50 m Art. No.	€ / m	KV (Unit)
8	A 80 D	6.80	120
10	A 100 D	7.25	120
12.5	A 125 D	7.80	120

Schlüter®-DECO-AE

anodised aluminium

H (mm)	L = 2.50 m Art. No.	€ / m	KV (Unit)
8	AE 80 D	8.95	120
10	AE 100 D	9.66	120
12.5	AE 125 D	10.34	120

Schlüter®-DECO-AC

colour coated aluminium

H (mm)	L = 2.50 m Art. No.	€ / m	KV (Unit)
8	...* 80 D	10.66	120
10	...* 100 D	11.53	120
12.5	...* 125 D	12.40	120

Corner

Schlüter®-DECO-MC/EV

90° external corner,
solid chrome plated brass

H (mm)	Art. No.	€ / U.	P (Unit)
9	EV / MC 90 D	21.45	50
11	EV / MC 110 D	21.45	50
12.5	EV / MC 125 D	21.45	50



Schlüter-DECO-MC/EV



To complete the art. no., add the colour (e.g. MGS 80 D)



* Colours: BW - MBW - MGS

For an overview of finishes and colours, please see page 144.

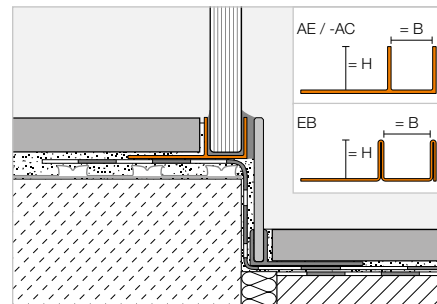
Attachment profile

Schlüter®-DECO-SG



Schlüter-DECO-SG is a decorative profile for joint design in tile coverings. It forms either a 12 mm or 15 mm wide shadow gap. The profile is ideal for holding and fixing glass elements in the floor and wall area.

(Product data sheet 2.16)



Schlüter®-DECO-SG-AE

anodised aluminium, B = 12 mm

H (mm)	L = 2.50 m Art. No.	€ / m	KV (Unit)
8	SG 80 AE 12	18.40	120
10	SG 100 AE 12	18.88	120
11	SG 110 AE 12	19.31	120
12.5	SG 125 AE 12	19.82	120

Schlüter®-DECO-SG-EB

brushed stainless steel V4A, B = 12 mm

H (mm)	L = 2.50 m Art. No.	€ / m	KV (Unit)
8	SG 80 EB 12	51.47	120
10	SG 100 EB 12	54.05	120
11	SG 110 EB 12	56.61	120
12.5	SG 125 EB 12	59.18	120

Schlüter®-DECO-SG-AC

colour coated aluminium, B = 12 mm

H (mm)	L = 2.50 m Art. No.	€ / m	KV (Unit)
8	SG 80 BW 12	21.53	120
10	SG 100 BW 12	22.04	120
11	SG 110 BW 12	22.55	120
12.5	SG 125 BW 12	23.06	120

Schlüter®-DECO-SG-AE

anodised aluminium, B = 15 mm

H (mm)	L = 2.50 m Art. No.	€ / m	KV (Unit)
8	SG 80 AE 15	21.29	120
10	SG 100 AE 15	21.60	120
11	SG 110 AE 15	22.36	120
12.5	SG 125 AE 15	22.85	120

Schlüter®-DECO-SG-EB

brushed stainless steel V4A, B = 15 mm

H (mm)	L = 2.50 m Art. No.	€ / m	KV (Unit)
8	SG 80 EB 15	55.33	120
10	SG 100 EB 15	57.90	120
11	SG 110 EB 15	60.48	120
12.5	SG 125 EB 15	63.05	120

Schlüter®-DECO-SG-AC

colour coated aluminium, B = 15 mm

H (mm)	L = 2.50 m Art. No.	€ / m	KV (Unit)
8	SG 80 BW 15	25.11	120
10	SG 100 BW 15	25.63	120
11	SG 110 BW 15	26.14	120
12.5	SG 125 BW 15	26.65	120

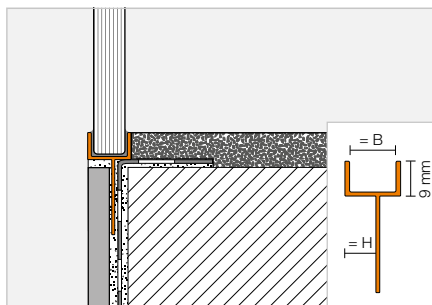


Available coloured finishes:

BW

Colours: BW

For an overview of finishes and colours, please see page 144.



Schlüter®-DECO-SGC-AE

anodised aluminium, B = 12 mm

H (mm)	L = 2.50 m Art. No.	€ / m	KV (Unit)
8	SGC 80 AE 12	19.89	120
10	SGC 100 AE 12	20.35	120
11	SGC 110 AE 12	20.87	120
12.5	SGC 125 AE 12	21.98	120

Schlüter®-DECO-SGC-AE

anodised aluminium, B = 15 mm

H (mm)	L = 2.50 m Art. No.	€ / m	KV (Unit)
8	SGC 80 AE 15	23.01	120
10	SGC 100 AE 15	23.30	120
11	SGC 110 AE 15	24.11	120
12.5	SGC 125 AE 15	24.63	120

i
For use in corners
with adjoining plaster walls



Schlüter®-VINPRO

Profiles for vinyl floor and wall coverings

- ✓ Protects the edges of coverings in floors, walls and staircases
- ✓ Quick and simple to install
- ✓ Prevents trip edges at the transition to different floor coverings and heights
- ✓ Available in the following finishes:
 - brushed chrome anodised aluminium (ACGB)
 - brushed titanium anodised aluminium (ATGB)
 - brushed antique bronze anodised aluminium (ABGB)



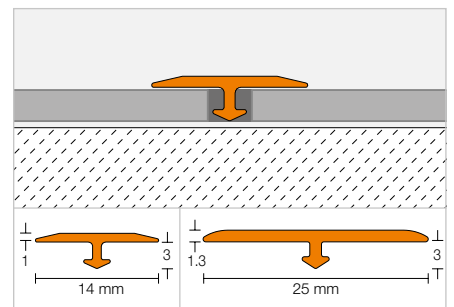
Transition profile

Schlüter®-VINPRO-T



Schlüter-VINPRO-T is a retrofitted profile to adjoin different types of resilient floor coverings of the same height (e.g. LVT, vinyl coverings).

(Product data sheet 18.2)



Schlüter®-VINPRO-T-ACGB

brushed chrome anodised aluminium

H (mm)	B (mm)	L = 2.50 m Art. No.	€ / m	KV (Unit)
3	14	VPT 3/14 ACGB	5.88	120
3	25	VPTL 3/25 ACGB	6.61	120

Schlüter®-VINPRO-T-ATGB

brushed titanium anodised aluminium

H (mm)	B (mm)	L = 2.50 m Art. No.	€ / m	KV (Unit)
3	14	VPT 3/14 ATGB	5.88	120
3	25	VPTL 3/25 ATGB	6.61	120

Schlüter®-VINPRO-T-ABGB

brushed antique bronze anodised aluminium

H (mm)	B (mm)	L = 2.50 m Art. No.	€ / m	KV (Unit)
3	14	VPT 3/14 ABGB	5.88	120
3	25	VPTL 3/25 ABGB	6.61	120

For an overview of finishes and colours, please see page 143.

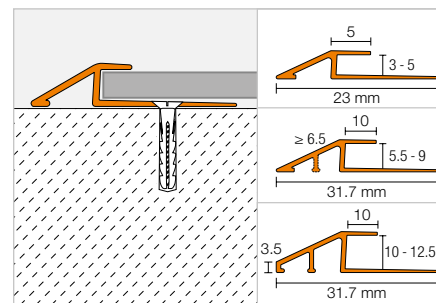
Transition profile

Schlüter®-VINPRO-U



Schlüter-VINPRO-U is a profile to create stepless transitions from resilient floor coverings (e.g. LVT, vinyl coverings) to floor coverings at a lower height.

(Product data sheet 18.3)



Schlüter®-VINPRO-U-ACGB

brushed chrome anodised aluminium

H (mm)	L = 2.50 m Art. No.	€ / m	KV (Unit)
3	VPU 30 ACGB	9.83	120
4	VPU 40 ACGB	10.01	120
5	VPU 50 ACGB	10.33	120
5.5	VPUL 55 ACGB	10.55	120
6	VPUL 60 ACGB	11.18	120
6.5	VPUL 65 ACGB	11.59	120
7	VPUL 70 ACGB	12.18	120
7.5	VPUL 75 ACGB	12.76	120
8	VPUL 80 ACGB	13.62	120
8.5	VPUL 85 ACGB	14.49	120
9	VPUL 90 ACGB	15.35	120
10	VPUL 100 ACGB	16.23	120
11	VPUL 110 ACGB	17.10	120
12.5	VPUL 125 ACGB	19.97	120

Schlüter®-VINPRO-U-ATGB

brushed titanium anodised aluminium

H (mm)	L = 2.50 m Art. No.	€ / m	KV (Unit)
3	VPU 30 ATGB	9.83	120
4	VPU 40 ATGB	10.01	120
5	VPU 50 ATGB	10.33	120
5.5	VPUL 55 ATGB	10.55	120
6	VPUL 60 ATGB	11.18	120
6.5	VPUL 65 ATGB	11.59	120
7	VPUL 70 ATGB	12.18	120
7.5	VPUL 75 ATGB	12.76	120
8	VPUL 80 ATGB	13.62	120
8.5	VPUL 85 ATGB	14.49	120
9	VPUL 90 ATGB	15.35	120
10	VPUL 100 ATGB	16.23	120
11	VPUL 110 ATGB	17.10	120
12.5	VPUL 125 ATGB	19.97	120

Schlüter®-VINPRO-U-ABGB

brushed antique bronze anodised aluminium

H (mm)	L = 2.50 m Art. No.	€ / m	KV (Unit)
3	VPU 30 ABGB	9.83	120
4	VPU 40 ABGB	10.01	120
5	VPU 50 ABGB	10.33	120
5.5	VPUL 55 ABGB	10.55	120
6	VPUL 60 ABGB	11.18	120
6.5	VPUL 65 ABGB	11.59	120
7	VPUL 70 ABGB	12.18	120
7.5	VPUL 75 ABGB	12.76	120
8	VPUL 80 ABGB	13.62	120
8.5	VPUL 85 ABGB	14.49	120
9	VPUL 90 ABGB	15.35	120
10	VPUL 100 ABGB	16.23	120
11	VPUL 110 ABGB	17.10	120
12.5	VPUL 125 ABGB	19.97	120

For an overview of finishes and colours, please see page 143.



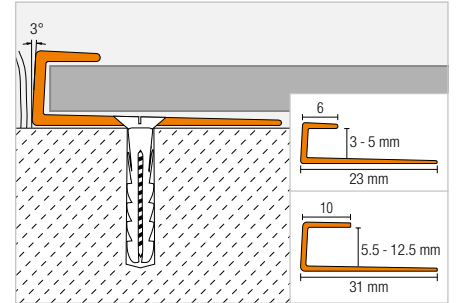
Finishing profile

Schlüter®-VINPRO-S



Schlüter-VINPRO-S is an edge profile for resilient coverings (e.g. LVT, vinyl coverings). It is designed to protect the edge of coverings at the transition to other coverings of the same or similar height or at the finishing edge of skirtings.

(Product data sheet 18.1)



Schlüter®-VINPRO-S-ACGB

brushed chrome anodised aluminium

H (mm)	L = 2.50 m Art. No.	€ / m	KV (Unit)
3	VPS 30 ACGB	8.76	120
4	VPS 40 ACGB	8.83	120
5	VPS 50 ACGB	8.90	120
5.5	VPSL 55 ACGB	9.28	120
6	VPSL 60 ACGB	9.61	120
6.5	VPSL 65 ACGB	9.97	120
7	VPSL 70 ACGB	10.32	120
7.5	VPSL 75 ACGB	10.66	120
8	VPSL 80 ACGB	11.01	120
8.5	VPSL 85 ACGB	11.37	120
9	VPSL 90 ACGB	11.71	120
10	VPSL 100 ACGB	12.05	120
11	VPSL 110 ACGB	12.40	120
12.5	VPSL 125 ACGB	12.76	120

Schlüter®-VINPRO-S-ATGB

brushed titanium anodised aluminium

H (mm)	L = 2.50 m Art. No.	€ / m	KV (Unit)
3	VPS 30 ATGB	8.76	120
4	VPS 40 ATGB	8.83	120
5	VPS 50 ATGB	8.90	120
5.5	VPSL 55 ATGB	9.28	120
6	VPSL 60 ATGB	9.61	120
6.5	VPSL 65 ATGB	9.97	120
7	VPSL 70 ATGB	10.32	120
7.5	VPSL 75 ATGB	10.66	120
8	VPSL 80 ATGB	11.01	120
8.5	VPSL 85 ATGB	11.37	120
9	VPSL 90 ATGB	11.71	120
10	VPSL 100 ATGB	12.05	120
11	VPSL 110 ATGB	12.40	120
12.5	VPSL 125 ATGB	12.76	120

Schlüter®-VINPRO-S-ABGB

brushed antique bronze anodised aluminium

H (mm)	L = 2.50 m Art. No.	€ / m	KV (Unit)
3	VPS 30 ABGB	8.76	120
4	VPS 40 ABGB	8.83	120
5	VPS 50 ABGB	8.90	120
5.5	VPSL 55 ABGB	9.28	120
6	VPSL 60 ABGB	9.61	120
6.5	VPSL 65 ABGB	9.97	120
7	VPSL 70 ABGB	10.32	120
7.5	VPSL 75 ABGB	10.66	120
8	VPSL 80 ABGB	11.01	120
8.5	VPSL 85 ABGB	11.37	120
9	VPSL 90 ABGB	11.71	120
10	VPSL 100 ABGB	12.05	120
11	VPSL 110 ABGB	12.40	120
12.5	VPSL 125 ABGB	12.76	120

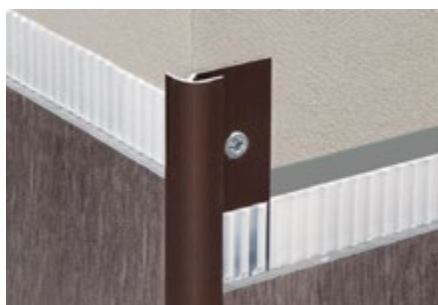
For an overview of finishes and colours, please see page 143.



Example: Skirting detail

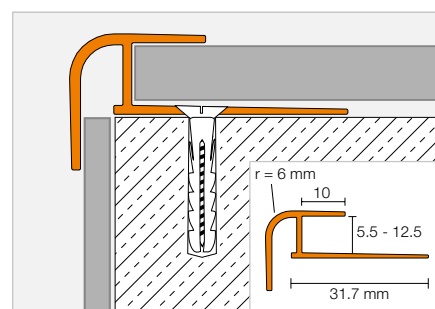
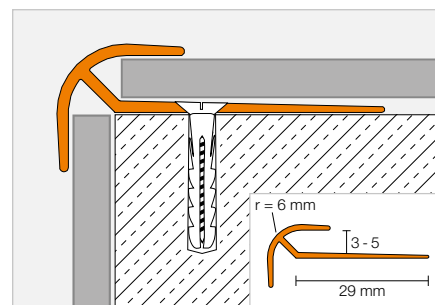
Finishing profile

Schlüter®-VINPRO-RO



Schlüter-VINPRO-RO is a finishing and edge protection profile for creating symmetrically rounded corners with resilient coverings (e.g. LVT, vinyl coverings).

(Product data sheet 18.5)



Schlüter®-VINPRO-RO-ACGB

brushed chrome anodised aluminium

H (mm)	L = 2.50 m Art. No.	€ / m	KV (Unit)
3	VPRO 30 ACGB	10.33	120
4	VPRO 40 ACGB	10.64	120
5	VPRO 50 ACGB	10.96	120
5.5	VPROL 55 ACGB	11.30	120
6	VPROL 60 ACGB	12.18	120
6.5	VPROL 65 ACGB	13.04	120
7	VPROL 70 ACGB	13.62	120
7.5	VPROL 75 ACGB	14.20	120
8	VPROL 80 ACGB	14.78	120
8.5	VPROL 85 ACGB	15.35	120
9	VPROL 90 ACGB	15.94	120
10	VPROL 100 ACGB	16.52	120
11	VPROL 110 ACGB	17.10	120
12.5	VPROL 125 ACGB	17.67	120

Schlüter®-VINPRO-RO-ATGB

brushed titanium anodised aluminium

H (mm)	L = 2.50 m Art. No.	€ / m	KV (Unit)
3	VPRO 30 ATGB	10.33	120
4	VPRO 40 ATGB	10.64	120
5	VPRO 50 ATGB	10.96	120
5.5	VPROL 55 ATGB	11.30	120
6	VPROL 60 ATGB	12.18	120
6.5	VPROL 65 ATGB	13.04	120
7	VPROL 70 ATGB	13.62	120
7.5	VPROL 75 ATGB	14.20	120
8	VPROL 80 ATGB	14.78	120
8.5	VPROL 85 ATGB	15.35	120
9	VPROL 90 ATGB	15.94	120
10	VPROL 100 ATGB	16.52	120
11	VPROL 110 ATGB	17.10	120
12.5	VPROL 125 ATGB	17.67	120

Schlüter®-VINPRO-RO-ABGB

brushed antique bronze anodised aluminium

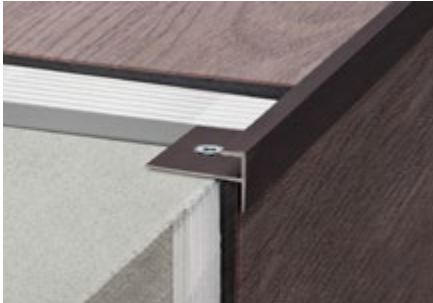
H (mm)	L = 2.50 m Art. No.	€ / m	KV (Unit)
3	VPRO 30 ABGB	10.33	120
4	VPRO 40 ABGB	10.64	120
5	VPRO 50 ABGB	10.96	120
5.5	VPROL 55 ABGB	11.30	120
6	VPROL 60 ABGB	12.18	120
6.5	VPROL 65 ABGB	13.04	120
7	VPROL 70 ABGB	13.62	120
7.5	VPROL 75 ABGB	14.20	120
8	VPROL 80 ABGB	14.78	120
8.5	VPROL 85 ABGB	15.35	120
9	VPROL 90 ABGB	15.94	120
10	VPROL 100 ABGB	16.52	120
11	VPROL 110 ABGB	17.10	120
12.5	VPROL 125 ABGB	17.67	120

For an overview of finishes and colours, please see page 143.

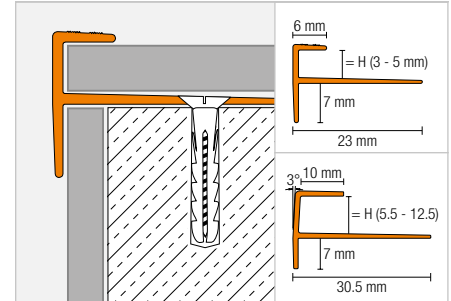


Stair nosing profile

Schlüter®-VINPRO-STEP



Schlüter-VINPRO-STEP is a finishing and edge protection profile for resilient coverings (e.g. LVT, vinyl coverings) on stairs. The profile has a rectangular shape and features an anti-slip textured footer.
(Product data sheet 18.4)



Schlüter®-VINPRO-STEP-ACGB

brushed chrome anodised aluminium

H (mm)	L = 2.50 m Art. No.	€ / m	KV (Unit)
3	VPST 30 ACGB	10.38	120
4	VPST 40 ACGB	10.64	120
5	VPST 50 ACGB	10.96	120
5.5	VPSTL 55 ACGB	11.88	120
6	VPSTL 60 ACGB	12.29	120
6.5	VPSTL 65 ACGB	12.69	120
7	VPSTL 70 ACGB	13.10	120
7.5	VPSTL 75 ACGB	13.50	120
8	VPSTL 80 ACGB	13.91	120
8.5	VPSTL 85 ACGB	14.32	120
9	VPSTL 90 ACGB	14.72	120
10	VPSTL 100 ACGB	15.18	120
11	VPSTL 110 ACGB	15.42	120
12.5	VPSTL 125 ACGB	15.76	120

Schlüter®-VINPRO-STEP-ATGB

brushed titanium anodised aluminium

H (mm)	L = 2.50 m Art. No.	€ / m	KV (Unit)
3	VPST 30 ATGB	10.38	120
4	VPST 40 ATGB	10.64	120
5	VPST 50 ATGB	10.96	120
5.5	VPSTL 55 ATGB	11.88	120
6	VPSTL 60 ATGB	12.29	120
6.5	VPSTL 65 ATGB	12.69	120
7	VPSTL 70 ATGB	13.10	120
7.5	VPSTL 75 ATGB	13.50	120
8	VPSTL 80 ATGB	13.91	120
8.5	VPSTL 85 ATGB	14.32	120
9	VPSTL 90 ATGB	14.72	120
10	VPSTL 100 ATGB	15.18	120
11	VPSTL 110 ATGB	15.42	120
12.5	VPSTL 125 ATGB	15.76	120

Schlüter®-VINPRO-STEP-ABGB

brushed antique bronze anodised aluminium

H (mm)	L = 2.50 m Art. No.	€ / m	KV (Unit)
3	VPST 30 ABGB	10.38	120
4	VPST 40 ABGB	10.64	120
5	VPST 50 ABGB	10.96	120
5.5	VPSTL 55 ABGB	11.88	120
6	VPSTL 60 ABGB	12.29	120
6.5	VPSTL 65 ABGB	12.69	120
7	VPSTL 70 ABGB	13.10	120
7.5	VPSTL 75 ABGB	13.50	120
8	VPSTL 80 ABGB	13.91	120
8.5	VPSTL 85 ABGB	14.32	120
9	VPSTL 90 ABGB	14.72	120
10	VPSTL 100 ABGB	15.18	120
11	VPSTL 110 ABGB	15.42	120
12.5	VPSTL 125 ABGB	15.76	120

For an overview of finishes and colours, please see page 143.

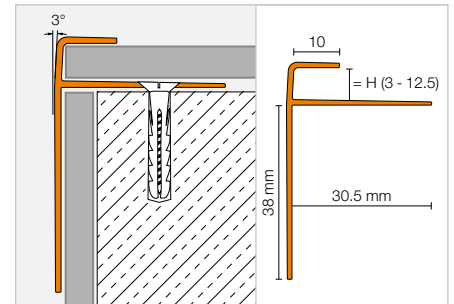
Stair nosing profile

Schlüter®-VINPRO-STEP-R



Schlüter-VINPRO-STEP-R is a finishing and edge profile for resilient coverings (e.g. LVT, vinyl coverings) on stairs. The top portion of the profile features a chamfered 10 mm textured footer with rounded front edge, which conceals the cut edge of resilient floor coverings. The extended vertical section along the riser ensures optimum visibility. The tapered conical anchoring leg of VINPRO-STEP-R has evenly spaced drillings along the profile length for screw attachment. However, the anchoring leg can also be adhered to the substrate with an installation adhesive such as Schlüter-KERDI-FIX.

(Product data sheet 18.4)



Schlüter®-VINPRO-STEP-R-ACGB

brushed chrome anodised aluminium

H (mm)	L = 2.50 m Art. No.	€ / m	KV (Unit)
3	VPSTRL 30 ACGB	15.35	120
4	VPSTRL 40 ACGB	15.64	120
5	VPSTRL 50 ACGB	15.76	120
5.5	VPSTRL 55 ACGB	15.94	120
6	VPSTRL 60 ACGB	16.23	120
6.5	VPSTRL 65 ACGB	16.81	120
7	VPSTRL 70 ACGB	17.39	120
7.5	VPSTRL 75 ACGB	17.97	120
8	VPSTRL 80 ACGB	18.54	120
8.5	VPSTRL 85 ACGB	19.13	120
9	VPSTRL 90 ACGB	19.71	120
10	VPSTRL 100 ACGB	20.28	120
11	VPSTRL 110 ACGB	20.87	120
12.5	VPSTRL 125 ACGB	21.74	120

Schlüter®-VINPRO-STEP-R-ATGB

brushed titanium anodised aluminium

H (mm)	L = 2.50 m Art. No.	€ / m	KV (Unit)
3	VPSTRL 30 ATGB	15.35	120
4	VPSTRL 40 ATGB	15.64	120
5	VPSTRL 50 ATGB	15.76	120
5.5	VPSTRL 55 ATGB	15.94	120
6	VPSTRL 60 ATGB	16.23	120
6.5	VPSTRL 65 ATGB	16.81	120
7	VPSTRL 70 ATGB	17.39	120
7.5	VPSTRL 75 ATGB	17.97	120
8	VPSTRL 80 ATGB	18.54	120
8.5	VPSTRL 85 ATGB	19.13	120
9	VPSTRL 90 ATGB	19.71	120
10	VPSTRL 100 ATGB	20.28	120
11	VPSTRL 110 ATGB	20.87	120
12.5	VPSTRL 125 ATGB	21.74	120

Schlüter®-VINPRO-STEP-R-ABGB

brushed antique bronze anodised aluminium

H (mm)	L = 2.50 m Art. No.	€ / m	KV (Unit)
3	VPSTRL 30 ABGB	15.35	120
4	VPSTRL 40 ABGB	15.64	120
5	VPSTRL 50 ABGB	15.76	120
5.5	VPSTRL 55 ABGB	15.94	120
6	VPSTRL 60 ABGB	16.23	120
6.5	VPSTRL 65 ABGB	16.81	120
7	VPSTRL 70 ABGB	17.39	120
7.5	VPSTRL 75 ABGB	17.97	120
8	VPSTRL 80 ABGB	18.54	120
8.5	VPSTRL 85 ABGB	19.13	120
9	VPSTRL 90 ABGB	19.71	120
10	VPSTRL 100 ABGB	20.28	120
11	VPSTRL 110 ABGB	20.87	120
12.5	VPSTRL 125 ABGB	21.74	120

For an overview of finishes and colours, please see page 143.



Schlüter® Kits

Elegant tilable linear drain kits for common shower sizes

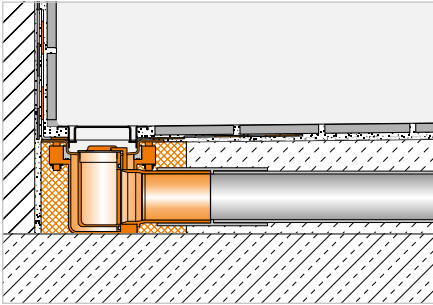


These kits combine everything you need to create a tilable shower tray with linear drainage:

- ✓ Linear drain and tilable drain grate from 50 to 120 cm length
- ✓ Tilable shower tray that can be cut to size
- ✓ Corner seals, sealing band and adhesive to ensure the shower area is fully waterproof

Linear drainage & shower board kits

Schlüter®-KERDI-LINE-G3 Kits



We've taken our most popular linear drain – Schlüter-KERDI-LINE-G3 – and combined it with the other products you will need to create a ready to tile shower floor area. Just choose your desired length of drain from 50 to 120 cm. All of the kit components can be purchased separately so please contact us for advice on creating a waterproof shower area using the components.

Schlüter®-KERDI-LINE-G3 Kits

centre outlet, stainless steel V4A linear drainage, shower tray kits

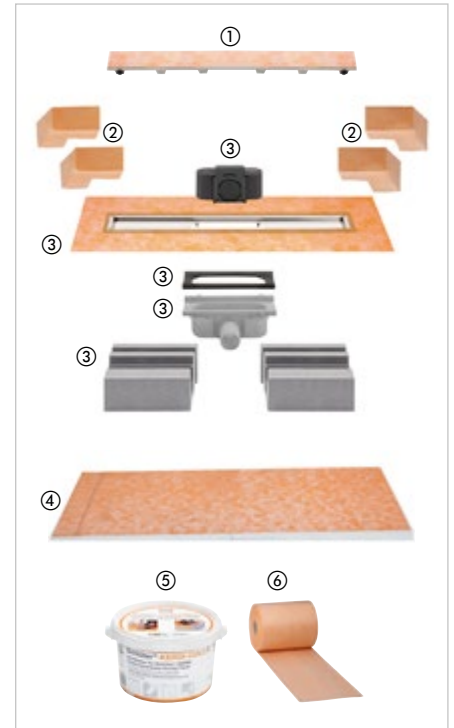
Art No.	L = cm (drain / grate)	L x W = cm (shower tray)	H = mm (shower tray)	€ / Set
DWPK 50	50	200 x 136	39	823.04
DWPK 60	60	200 x 136	39	841.80
DWPK 70	70	200 x 136	39	862.56
DWPK 80	80	200 x 136	39	882.49
DWPK 90	90	200 x 136	39	902.03
DWPK 100	100	200 x 136	39	923.15
DWPK 110	110	200 x 136	39	944.27
DWPK 120	120	200 x 136	39	963.81

Technical data:

Drain	BS 40 (outside diameter 43 mm)
Drain capacity	0.45 l/s (single drain)
Water trap height	50 mm
Installation height	78 mm
Width of cover incl. frame	74 mm

Note:

If the drain is to be installed in a timber substrate floor, then please order the installation accessory below separately.



Schlüter-KERDI-LINE-G3 Kits contains:

- ① tilable drain grate
- ② corner seals x 4
- ③ linear drain
- ④ tilable shower tray
- ⑤ sealing adhesive 1.85 kg
- ⑥ sealing band 5 linear metres

INSTALLATION VIDEO →



Installation accessories

Schlüter®-KERDI-LINE-F-G3



Schlüter-KERDI-LINE-F-G3 Timber Accessory is an accessory set for installing the drainage channel Schlüter-KERDI-LINE-G3 in a suspended wooden ceiling with use of the sloped tray Schlüter-KERDI-SHOWER-LTS (KSLT 1365 / 2000 S).

Schlüter®-KERDI-LINE-F-G3

installation accessories for the linear drainage Schlüter-KERDI-LINE-G3

Art. No.	€ / Set	P (Set)
KL F 43 G3 TA	51.25	10

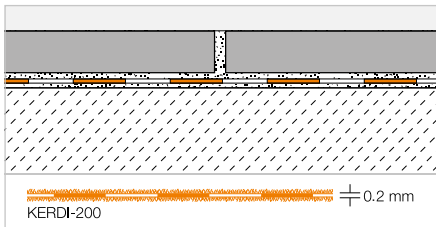


Bonded waterproofing kits

Schlüter®-KERDI-200 Kits



We've made it easy to waterproof walls with our Schlüter-KERDI kits. With options for different m² areas, the kits include our waterproofing membrane, Schlüter-KERDI-200, as well as sealing adhesive, Schlüter-KERDI-COLL-L, and sealing band Schlüter-KERDI-KEBA to ensure that any joints and wall to floor connections are fully waterproof.



Schlüter®-KERDI-200 Kits

wall waterproofing kits for common room sizes

Area (m ²)	Art No.	€ / Set
5	WWPKS	194.51
10	WWPKM	318.30
15	WWPKL	509.80



Set components:

- ① waterproofing membrane
- ② sealing adhesive
- ③ sealing band
- ④ pipe collars

Tool tip:

Schlüter-TROWEL, 4 x 4 notching, see page 140.

INSTALLATION VIDEO →



Bonded uncoupling | heating



Schlüter®-DITRA-HEAT-E-DUO-S



Schlüter-DITRA-HEAT-E-DUO-S are complete sets for electrical heating of floor and wall coverings. They contain the uncoupling mats Schlüter-DITRA-HEAT-DUO-MA (0.8 x 0.98 m), the heating cables Schlüter-DITRA-HEAT-E-HK, and the touchscreen thermostat Schlüter-DITRA-HEAT-E-R or the touchscreen thermostat Schlüter-DITRA-HEAT-E-R6 with WiFi connection and optional voice control. Due to the unique anchoring fleece, the uncoupling mat not only reduces impact sound, but also provides a quicker heat-up response. Where necessary, the uncoupled area can be expanded with additional Schlüter-DITRA-HEAT-DUO membranes.

(Product data sheet 6.4)

All sets include:

- Schlüter-DITRA-HEAT-DUO-MA uncoupling mats, see table
- Heating cable Schlüter-DITRA-HEAT-E-HK; see table (installation around every 3rd stud \triangleq 136 W/m² / installation around every 2nd stud \triangleq 200 W/m²)
- 1 x Schlüter-DITRA-HEAT-E-R6 touchscreen thermostat with WiFi connection and optional voice control
- 2 x junction boxes
- 1 x conduit (3 m)

Schlüter®-DITRA-HEAT-E-DUO-S



complete set for floor and wall installation with WiFi connection and optional voice control

Schlüter®-DITRA-HEAT-DUO-MA		Schlüter®-DITRA-HEAT-E-HK				Art. No.	€ / Set	P (Set)
Number of mats	Uncoupled area in m ²	Heated floor, 136 W/m ² *		Heated wall, 200 W/m ² **				
		m ²	W	m ²	W			
2	1.5	1.1	150	0.7	150	DH D RT6 S1	530.49	9
3	2.3	1.6	225	1	225	DH D RT6 S2	583.72	9
4	3.1	2.2	300	1.5	300	DH D RT6 S3	628.09	9
5	3.9	2.7	375	1.8	375	DH D RT6 S4	692.74	8
6	4.7	3.3	450	2.2	450	DH D RT6 S5	757.37	8
7	5.4	3.8	525	2.6	525	DH D RT6 S6	830.90	5
8	6.2	4.4	600	2.9	600	DH D RT6 S7	895.55	5
9	7	5	675	3.3	675	DH D RT6 S8	972.87	4
10	7.8	5.5	750	3.7	750	DH D RT6 S9	1031.16	4

* for use in floor and wall areas ** for use in wall areas only

INSTALLATION VIDEO →





Bonded uncoupling | heating



Schlüter®-DITRA-HEAT-E-DUO-WS



Schlüter-DITRA-HEAT-E-DUO-WS are complete sets for electrical heating of wall coverings. They contain the uncoupling mats Schlüter-DITRA-HEAT-DUO-MA (0.8 x 0.98 m), the heating cables Schlüter-DITRA-HEAT-E-HK, and the touchscreen thermostat Schlüter-DITRA-HEAT-E-R or the touchscreen thermostat Schlüter-DITRA-HEAT-E-R6 with WiFi connection and optional voice control. Thanks to its special anchoring fleece, the uncoupling mat facilitates a quicker heat-up response. Where necessary, the uncoupled area can be expanded with additional Schlüter-DITRA-HEAT-DUO membranes.

(Product data sheet 6.4)

All sets include:

- Schlüter-DITRA-HEAT-DUO-MA uncoupling mats, see table
- Heating cable Schlüter-DITRA-HEAT-E-HK; see table (installation around every 2nd stud Δ 200 W/m²)
- 1 x Schlüter-DITRA-HEAT-E-R6 touchscreen thermostat with WiFi connection and optional voice control
- 2 x junction boxes
- 1 x conduit (3 m)

Schlüter®-DITRA-HEAT-E-DUO-WS



complete set for wall installation with WiFi connection and optional voice control

Schlüter®-DITRA-HEAT-DUO-MA		Schlüter®-DITRA-HEAT-E-HK		Art. No.	€ / Set	P (Set)
Number of mats	Uncoupled area in m ²	Heated wall, 200 W/m ²				
		m ²	W			
3	2.3	1.8	375	DH D RT6 S11	640.76	9
4	3.1	2.6	525	DH D RT6 S10	754.84	9

Peel & Stick bonded uncoupling | heating



Schlüter®-DITRA-HEAT-E-DUO-PS-S



Schlüter-DITRA-HEAT-E-DUO-PS-S are complete sets for electrical heating of floor coverings. They contain the uncoupling mats Schlüter-DITRA-HEAT-DUO-MA-PS (0.8 x 0.98 m), the heating cables Schlüter-DITRA-HEAT-E-HK, and the touchscreen thermostat Schlüter-DITRA-HEAT-E-R6 with WiFi connection and optional voice control. Due to the unique anchoring fleece, the uncoupling mat not only reduces impact sound, but also provides a quicker heat-up response. Where necessary, the uncoupled area can be expanded with additional Schlüter-DITRA-HEAT-DUO-PS membranes. (Product data sheet 6.5)

All sets include:

- Schlüter-DITRA-HEAT-DUO-MA-PS peel & stick uncoupling mats, see table
- Heating cable Schlüter-DITRA-HEAT-E-HK; see table (installation around every 3rd stud Δ 136 W/m²)
- 1 x Schlüter-DITRA-HEAT-E-R6 touchscreen thermostat with WiFi connection and optional voice control
- 1 x junction box
- 1 x conduit (3 m)

Schlüter®-DITRA-HEAT-E-DUO-PS-S



complete peel & stick set for floor installation with WiFi connection and optional voice control

Schlüter®-DITRA-HEAT-DUO-MA-PS		Schlüter®-DITRA-HEAT-E-HK		Art. No.	€ / Set	P (Set)
Number of mats	Uncoupled area in m ²	Heated floor 136 W/m ² *				
		m ²	W			
3	2.3	1.6	225	DH D PS RT6 S2	680.13	3
4	3.1	2.2	300	DH D PS RT6 S3	737.44	3
5	3.9	2.7	375	DH D PS RT6 S4	815.47	3

* for use in floor areas only

INSTALLATION VIDEO →

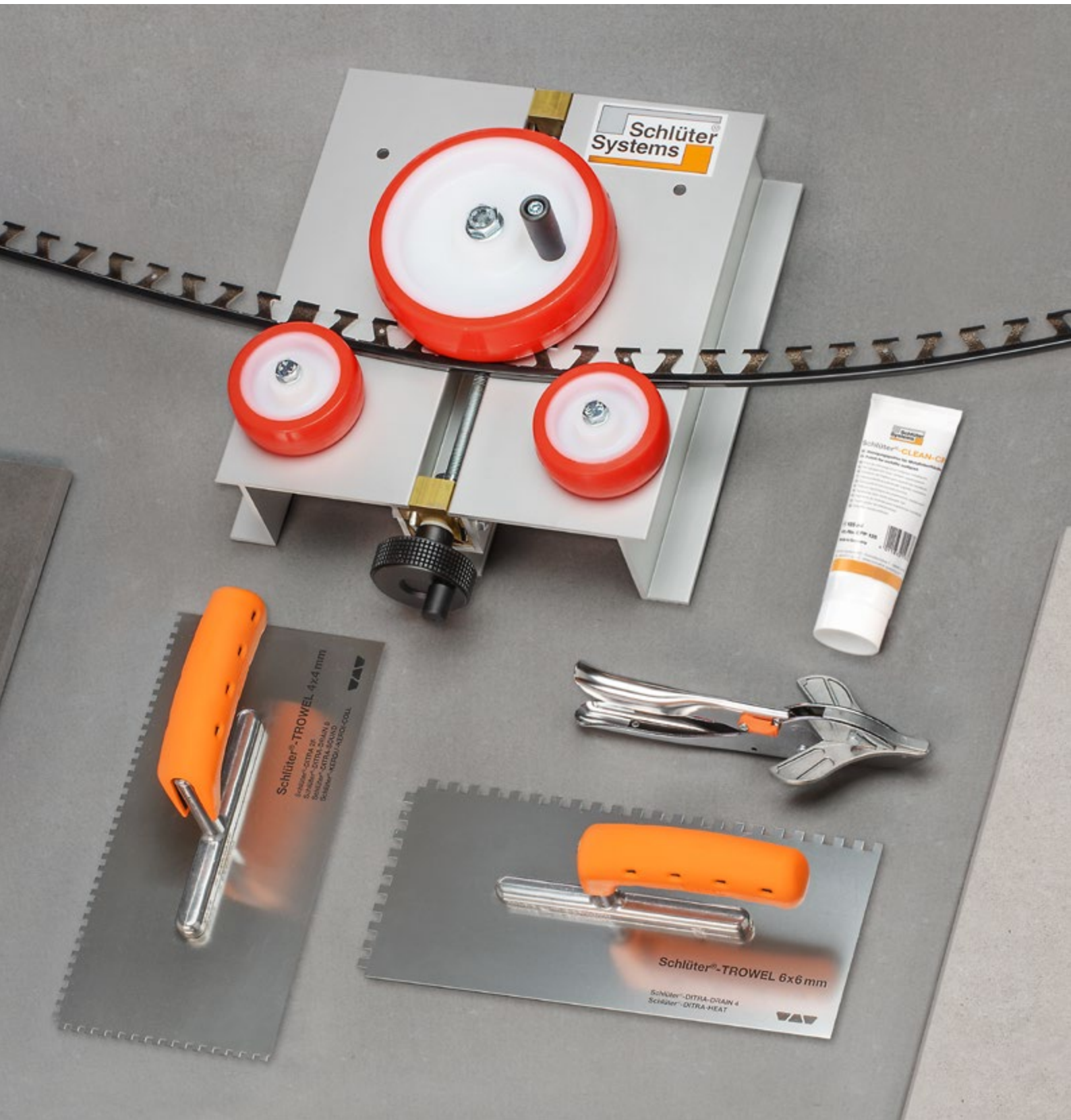




Schlüter installation accessories

For your daily work

Great installation projects require good tools. This section includes the tools you need to install our uncoupling mats, bend our radius profiles or access concealed openings. Of course, in the high Schlüter quality you expect.

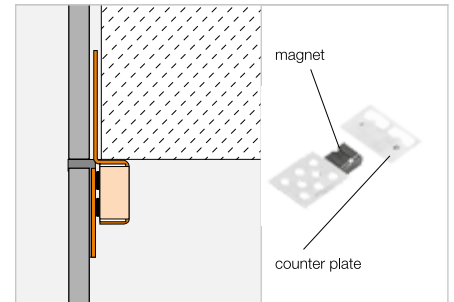


Magnetic opening panels

Schlüter®-REMA



Schlüter-REMA is a system for creating concealed access panels in tiled walls. It can be applied irrespective of tile size and thickness and adapts perfectly to the joint pattern.
(Product data sheet 11.1)



Schlüter®-REMA

4 magnets + 4 counter plates

Art. No.	€ / Set	P (Set)	KV (Set)
REMA	10.77	50	200

Cleaner and polish

Schlüter®-CLEAN-CP



Schlüter-CLEAN-CP is a polish for cleaning stainless steel profiles. It is also suitable for cleaning profiles made of aluminium, brass and other materials.
(Product data sheet 13.1)

Schlüter®-CLEAN-CP

polish

Fill volume (ml)	Art. No.	€ / U.	P (Unit)
125	CPP 125	20.50	10

Tool

Schlüter®-RUMA



Schlüter-RUMA is a bending machine for uniform bending of profiles with radius perforations.

Schlüter®-RUMA

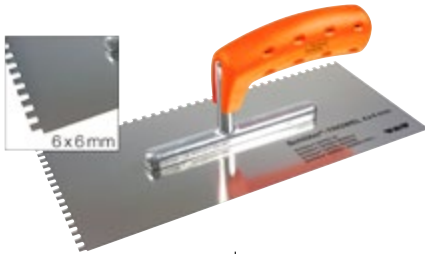
bending machine

Art. No.	€ / U.
RM	434.15



Tool

Schlüter®-TROWEL



example

Schlüter-TROWEL is a notched trowel with a soft ergonomic handle for stress-free work. The respective notching is suitable for the installation of Schlüter-DITRA, -KERDI and -DITRA-HEAT.

Schlüter®-TROWEL

notched trowel (280 mm x 130 mm), stainless steel

Notching	Art. No.	€ / U.	P (Unit)
4 x 4	TRL 4X4	19.65	10
6 x 6	TRL 6X6	19.65	10

Note:

4 x 4 notching for Schlüter-DITRA, -DITRA-DRAIN 8, -DITRA-SOUND and -KERDI.

6 x 6 notching for Schlüter-DITRA-DRAIN 4 and -DITRA-HEAT.

Schlüter®-PROCUT-PSF



Schlüter-PROCUT-PSF is a profile cutting tool to quickly and accurately cut Schlüter plastic profiles with and without joint spacer.



Schlüter®-PROCUT-PSF

profile cutter, joint spacer

Art. No.	€ / U.	P (Unit)
PSF	75.11	10

Schlüter®-PROCUT-PS-EK

spare part: spare blade for profile cutter

Art. No.	€ / U.	P (Unit)
PS 90 / 45 EK	27.88	10

Schlüter®-PROCUT-PSF 10

counter display with 10 profile cutters

Art. No.	€ / Package
PSF 10	720.72

Schlüter®-PROCUT-TSM



Schlüter-PROCUT-TSM is a cutting wheel with a diameter of 115 mm for conventional angle grinders. It produces especially clean cuts of stainless steel, aluminium and brass profiles.

Schlüter®-PROCUT-TSM

cutting wheel

Art. No.	€ / U.	P (Unit)
TSM 115/1	10.82	10

Schlüter-profiles

Radius perforation makes the difference



Various Schlüter metal profiles with a radius punching are available to protect coverings with rounded edge contours, making it possible to adapt the profile to the contour of the tile edge. For technical reasons, products that are only one metre in length are not available with radius perforations. Products that can be delivered with radius punching are marked



with the following symbol in the price list:

Profiles available with special punching are shown in the following tables, which also include the corresponding price surcharges.

Profile forming is possible with the aid of the Schlüter-RUMA bending machine with a radius of at least approx. 1 m or 3 m. Schlüter-SCHIENE can be formed to a radius from a height of 6 mm, smaller profile heights on request.

Profile	Surcharge
Forming radius r = 1.00 m	€ / m
Schlüter-JOLLY-A	3.33
Schlüter-SCHIENE-A	3.33
Schlüter-SCHIENE-AC / -TS	3.33
Schlüter-SCHIENE-AE	3.33
Schlüter-SCHIENE-AV	3.33
Schlüter-SCHIENE-E / -E V4A	3.33
Schlüter-SCHIENE-EB	3.33
Schlüter-SCHIENE-M	3.33

Profile	Surcharge
Forming radius r = 3.00 m	€ / m
Schlüter-DECO-A	3.33
Schlüter-DECO-AE	3.33
Schlüter-DECO-AC	3.33
Schlüter-DECO-M	3.33
Schlüter-JOLLY-AC / -TS	3.33
Schlüter-JOLLY-AE	3.33
Schlüter-JOLLY-MC	3.33
Schlüter-QUADEC-A	3.33
Schlüter-QUADEC-AC / -TS	3.33
Schlüter-QUADEC-E / -E V4A	3.33
Schlüter-QUADEC-EP / -EB	3.33
Schlüter-RENO-AETK	3.33
Schlüter-RENO-ATK	3.33
Schlüter-RENO-MTK	3.33
Schlüter-RONDEC-A	3.33
Schlüter-RONDEC-AC / -TS	3.33
Schlüter-RONDEC-E / -E V4A	3.33
Schlüter-RONDEC-EP / -EB	3.33
Schlüter-SCHIENE-ES	3.33

Delivery:

To order the art. no. of a profile with radius perforations, simply write an "R" before the art. no. of the standard profile (e.g. R / M 80 for Schlüter-SCHIENE-M 80 with radius perforations).

The delivery time for profiles with radius perforations is approx. 2 weeks.

Profiles are delivered in straight format. Please note that stainless steel may show deformations due to stresses in the material.

Your sales advisor will be pleased to assist you with your order.



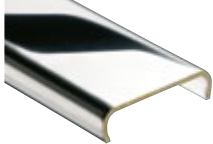
We recommend the use of our bending machine Schlüter-RUMA (see page 346) for quick and neat radius forming of profiles.



Metal surfaces

Finish overview

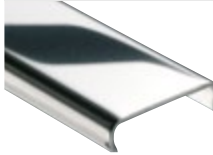
Chrome plated brass



MC

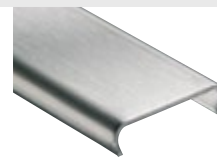
chrome plated brass

Stainless steel



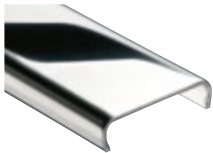
E

stainless steel
V2A = 1.4301 / AISI 304
V4A = 1.4404 / AISI 316L



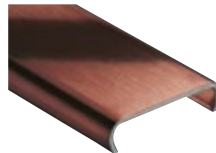
EB

brushed stainless steel



EP

polished stainless steel



EOB

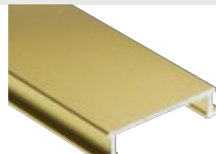
stainless steel,
aged bronze effect

Anodised aluminium



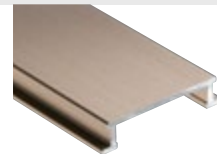
AE

anodised aluminium



AM

matte brass
anodised aluminium



AK

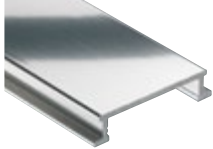
matte copper/bronze
anodised aluminium



AT

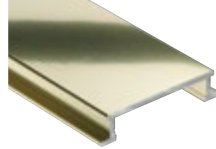
matte titanium
anodised aluminium

Polished anodised aluminium



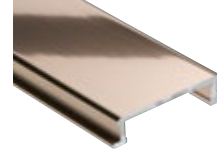
ACG

polished chrome
anodised aluminium



AMG

polished brass
anodised aluminium



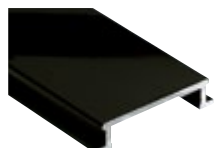
AKG

polished
copper/bronze
anodised aluminium



ATG

polished titanium
anodised aluminium



AGSG

polished
chrome black
anodised aluminium

Schlüter-profiles: additional materials

A
aluminium

AC
colour coated aluminium

Z
zinc

M
brass

K
copper

P
coloured PVC

Brushed anodised aluminium



ACGB
brushed chrome
anodised aluminium



AMGB
brushed brass
anodised aluminium



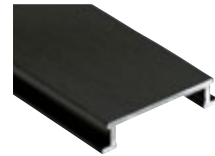
AKGB
brushed
copper/bronze
anodised aluminium



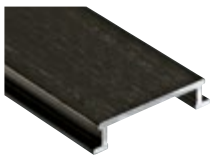
ATGB
brushed titanium
anodised aluminium



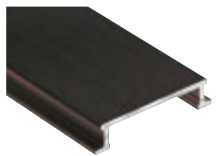
AEEB
brushed
stainless steel
anodised aluminium



AGRB
brushed
chrome graphite
anodised aluminium

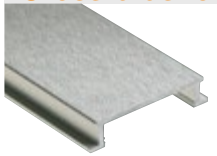


AGSB
brushed
graphite black
anodised aluminium

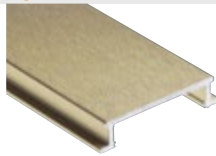


ABGB
brushed
antique bronze
anodised aluminium

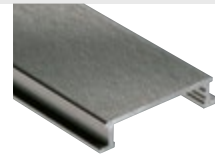
Cross brushed anodised aluminium



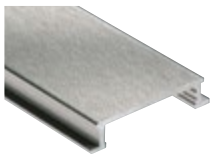
AEX
cross brushed
anodised aluminium



AMX
cross brushed brass
anodised aluminium



AQGX
cross brushed
quartz grey
anodised aluminium



ATX
cross brushed
titanium
anodised aluminium

Aluminium/stainless steel textured coating



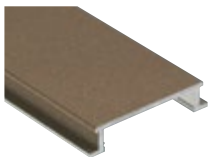
TSI
textured natural
ivory



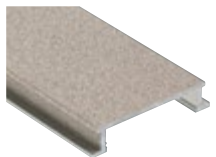
TSC
textured natural
cream



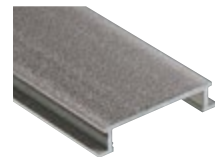
TSBG
textured natural
beige grey



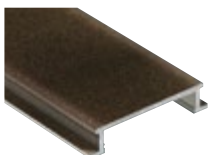
TSB
textured natural
beige



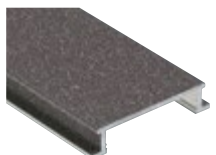
TSSG
textured natural
stone grey



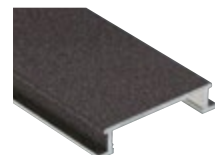
TSG
textured natural
grey



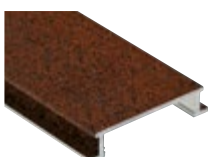
TSOB
textured natural
bronze



TSLA
textured natural
light anthracite



TSDA
textured natural
dark anthracite



TSR
textured natural
rustic brown

Note:

This page displays all metal finishes of Schlüter-DESIGNLINE profiles for an improved, standardised overview. Please refer to the specific product data to verify the actual availability of individual materials. The print does not allow reproductions of the original colours.



Colour code system

Colour overview



AG
anthracite grey



GAE
grey anodised aluminium



QG
quartz grey



AP
soft apricot



GM
grey metallic



RB
red brown



BH
bahama



GS
graphite black



SB
black brown



BW
brilliant white



HB
light beige



SG
stone grey



C
cream



HG
light grey



SP
soft peach



CA
caramel



MBW
matte brilliant white



T
transparent grey



CG
yellow



MGS
matte graphite black



VG
traffic grey



DA
dark anthracite



NB
nut brown



W
white



FG
joint grey



PG
pastel grey



ZR
brick red



G
grey



PW
pearl white

Key

Innovations



New product

Application areas



Suitable for use on the floor of privately used areas



Suitable for use on walls in interior spaces



Sound insulating

Properties



also available in 3 m



Radius perforation available



Peel & Stick self-adhesive



EasyCut gridlines



EasyFill design



WiFi control



Voice Control function

Packaging units

PL = euro pallet

KV = case packaging

BV = bundle

All profiles are packaged in bundles of 10, unless specifically noted otherwise.

P = box packaging

R = roll

Unit = units

Dimensions

H = height

L = length

B = width

T = depth

Technical developments may lead to changes from the images, drawings and descriptions.

Please note that we generally do not accept returns of custom-made products. This does not affect your warranty rights.



General Terms and Conditions



Subject to the General Terms and Conditions of Schlüter-Systems Ltd.

All previous price lists lose their validity on the publication of this price list. Errors, changes, and printing mistakes as well as changes necessary in the interest of product innovation or shipping reserved.

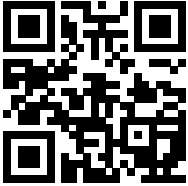
For reasons of printing, colours shown in this price list may differ from actual product colours.

You find the actual "General Terms and Conditions" of Schlüter-Systems Ltd. here:

<https://eu.schluter.com/en-GB/general-terms-and-conditions-2651.html>

The Bluetooth® word mark and logos are registered trademarks owned by Bluetooth SIG, Inc..

Other trademarks and trade names are those of their respective owners.



Schlüter®-KERDI-BOARD



Information on the level of volatile substance emission in indoor air, presenting a risk of inhalation toxicity, on a scale ranging from A + (very low emissions) to C (high emissions)



Subject to the Standard Terms and Conditions of Sale of Schlüter-Systems Ltd.

All previous price lists lose their validity on the publication of this price list.

Errors, changes, and printing mistakes as well as changes necessary in the interest of product innovation or shipping reserved. For reasons of printing, colours shown in this price list may differ from actual product colours.



Schlüter-Systems KG 📍 Schmölestraße 7 | D-58640 Iserlohn 📞 +49 2371 971-0 ✉ info@schlueter.de 🌐 schlueter-systems.com

Schlüter-Systems Ltd 📍 Units 3-6 Bardon 22 Industrial Estate, Bardon Hill, Coalville, Leicestershire, LE67 1TE
📞 +44 (0) 1530 813396 ✉ info@schluter.co.uk 🌐 schluter.co.uk | Registered in England & Wales Co No: 2853384