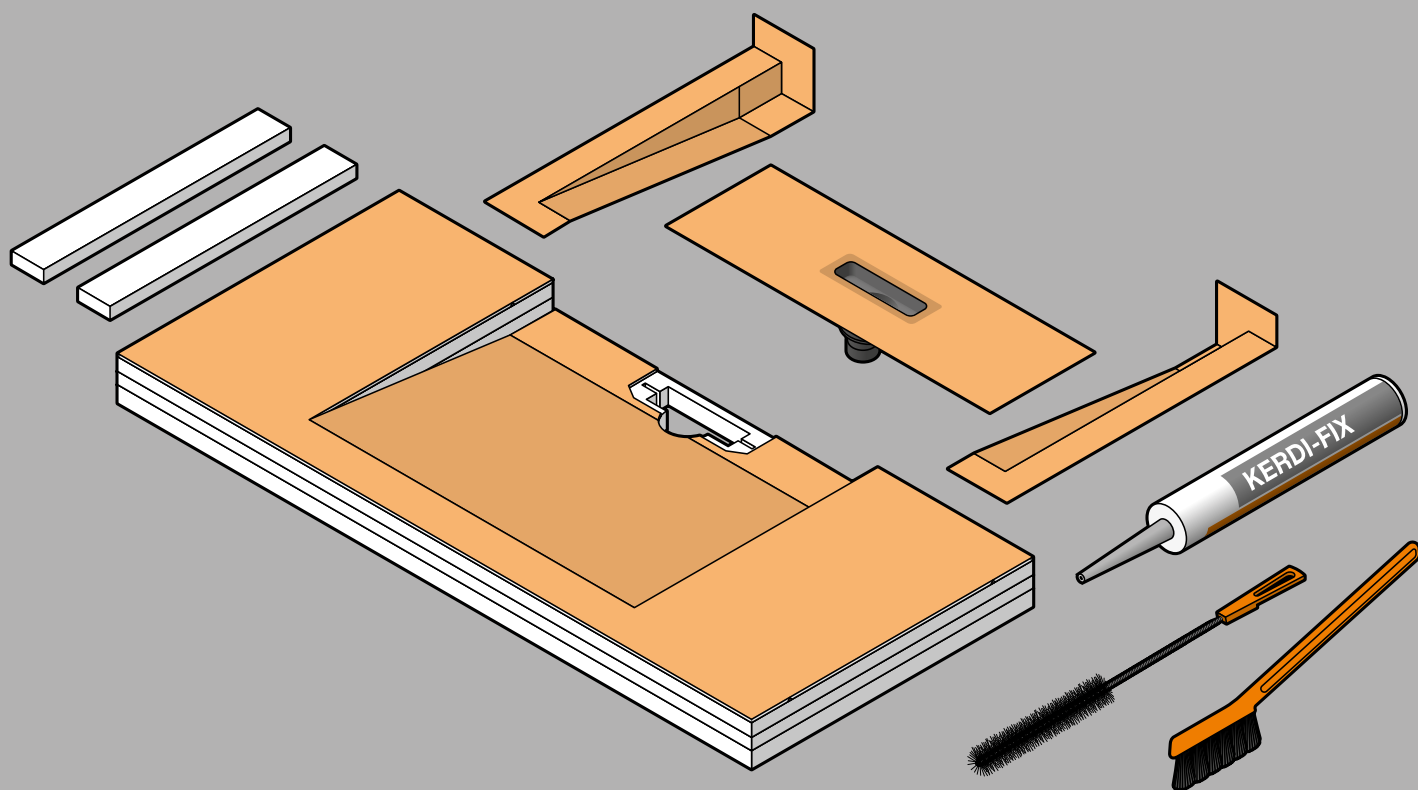


# Schlüter®-KERDI-BOARD-WL-V1

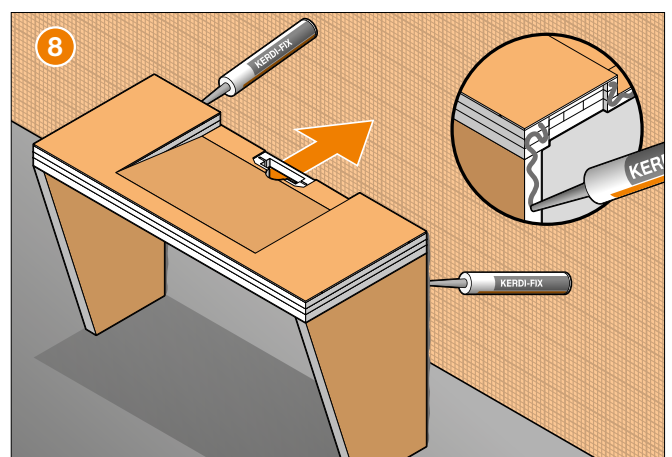
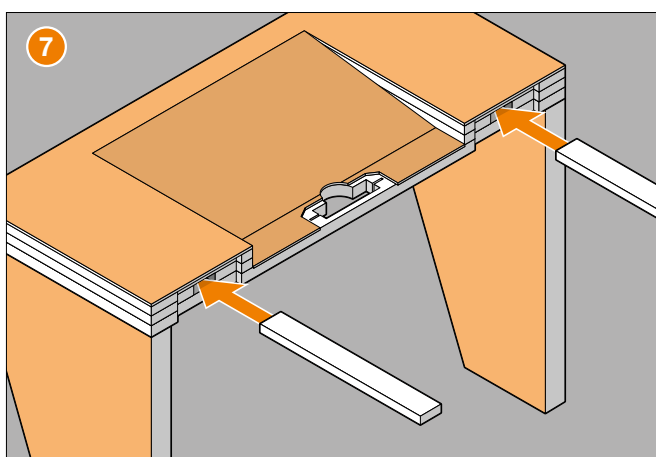
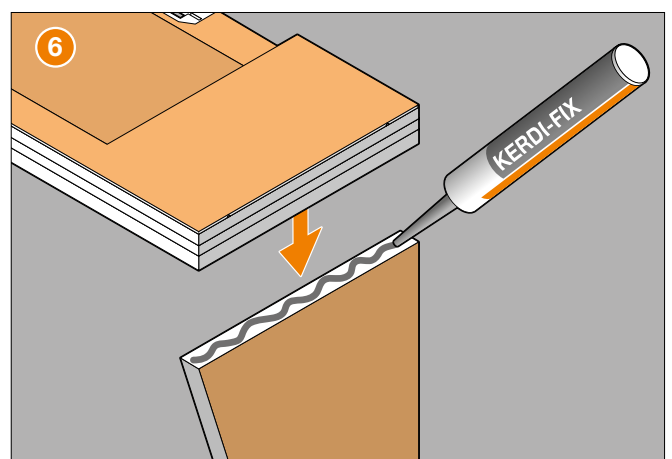
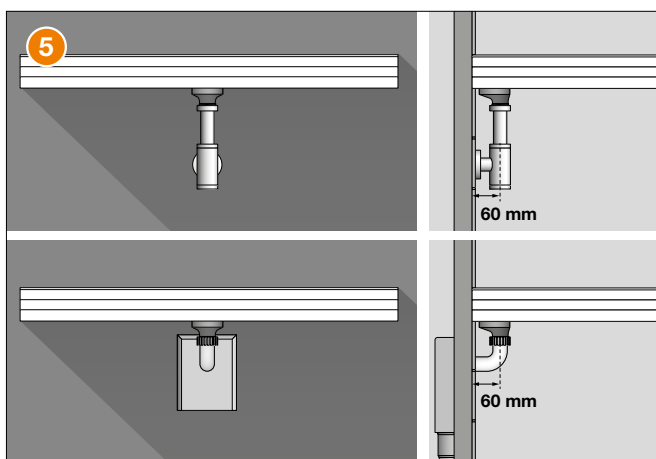
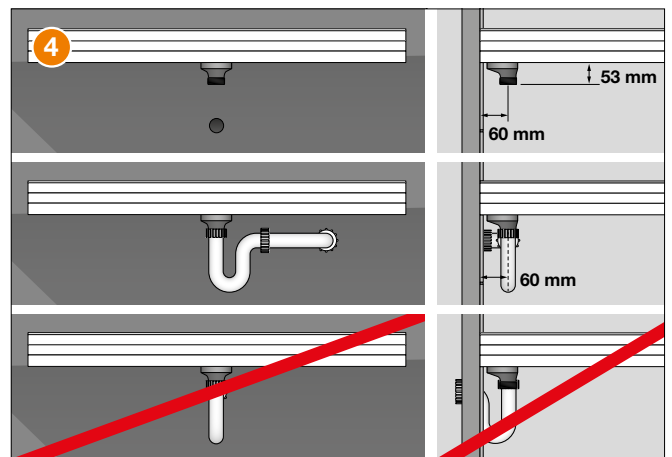
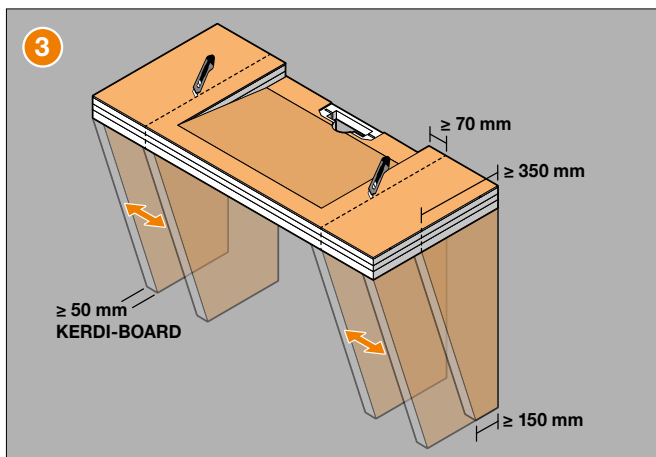
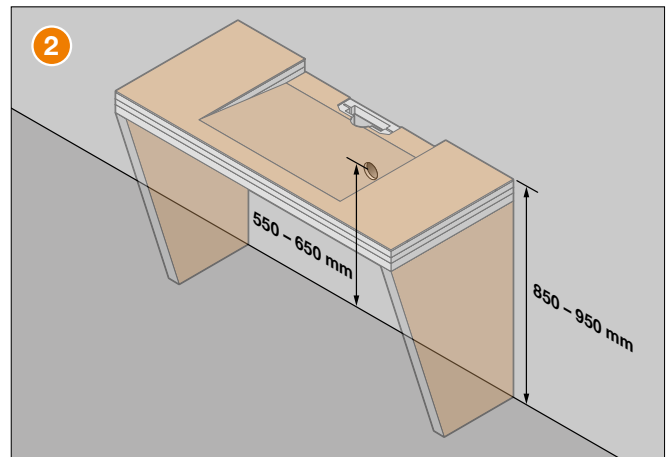
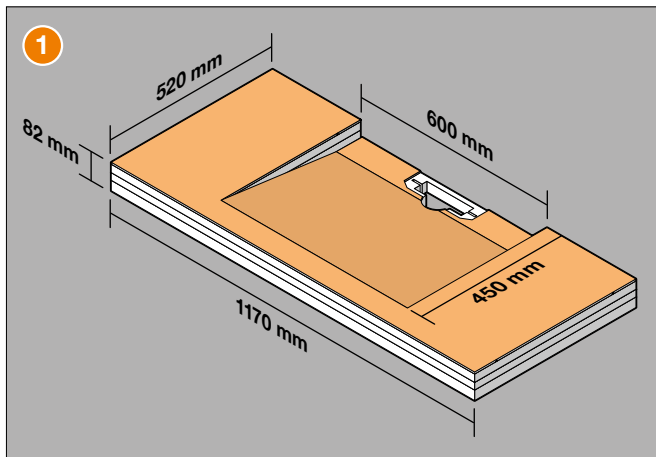
## Washbasin/Vanity Unit

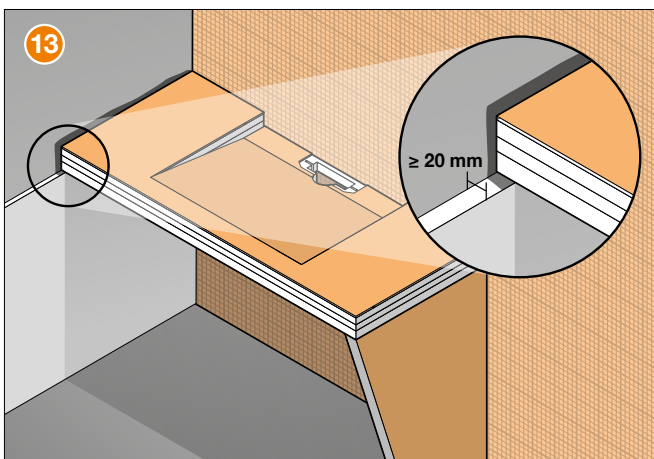
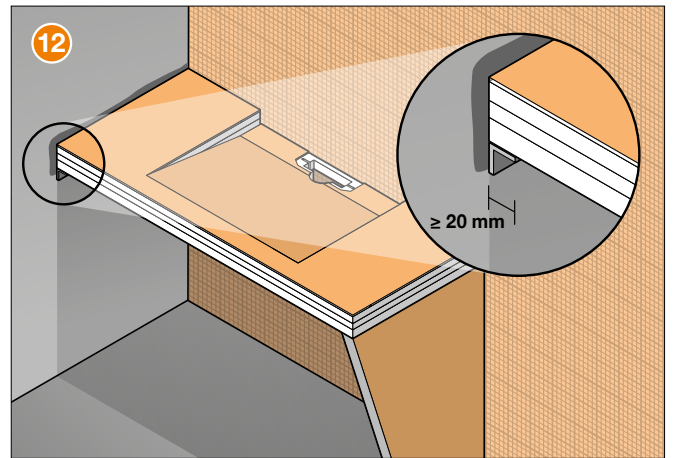
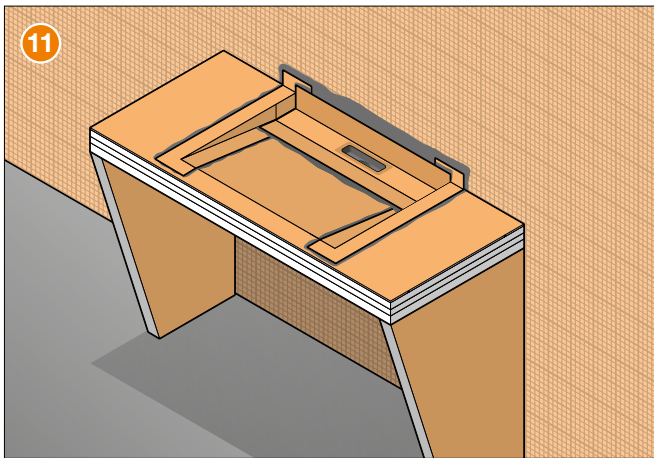
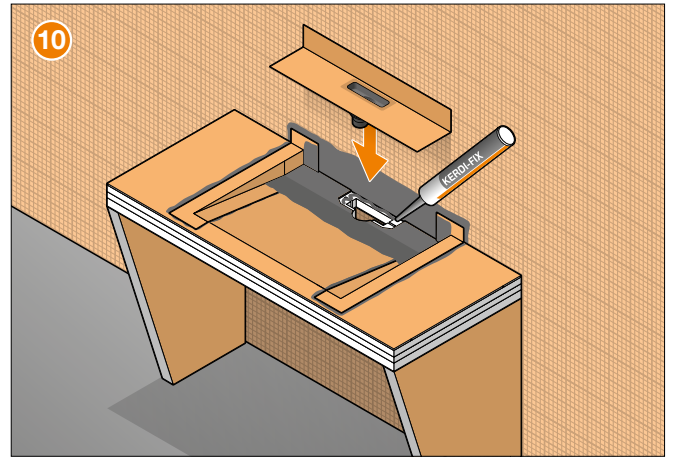
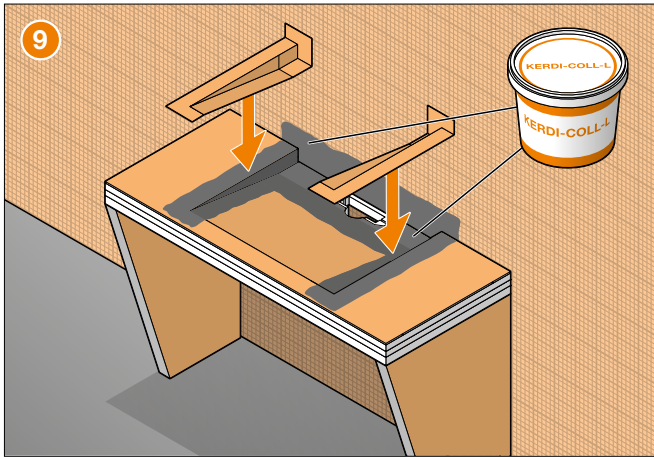


### Instructions for Installation on Stands/Legs



PROFILE OF INNOVATION





**Note:** If installing as per Fig. 12 we recommend use of the stainless steel angle profile 'KBZW30E'.



P R O F I L E   O F   I N N O V A T I O N

**Schlüter-Systems KG** · Schmölestraße 7 · D-58640 Iserlohn

Tel.: +49 2371 971-1261 · Fax: +49 2371 971-1112 · [info@schlueter.de](mailto:info@schlueter.de) · [schlueter-systems.com](http://schlueter-systems.com)

**Schlüter-Systems Ltd** · Units 3-6 Bardon 22 Industrial Estate · Bardon Hill · Coalville · Leicestershire · LE67 1TE

Tel.: +44 1530 813396 · Fax: +44 1530 813376 · [sales@schluter.co.uk](mailto:sales@schluter.co.uk) · [schluter.co.uk](http://schluter.co.uk)