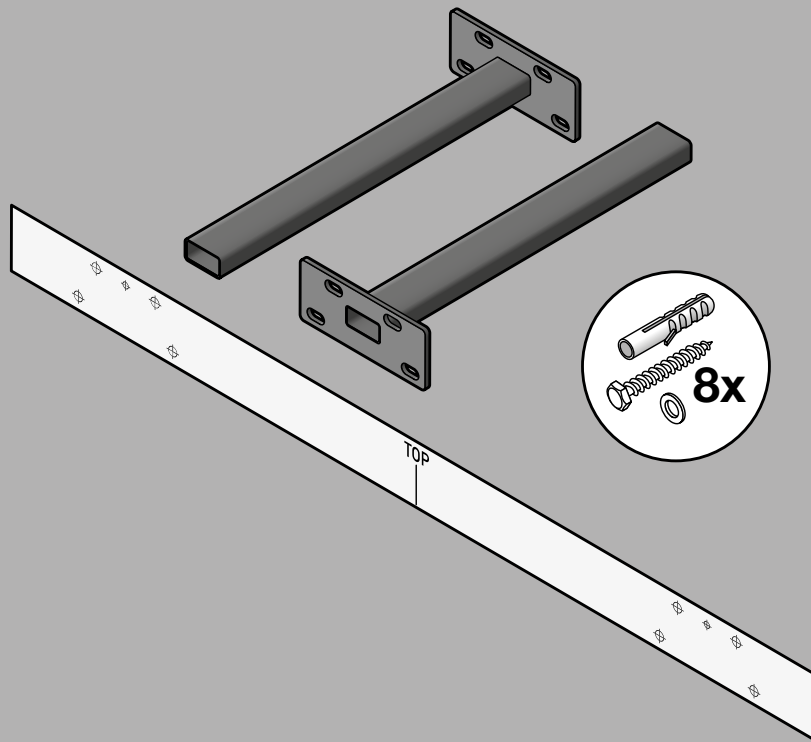
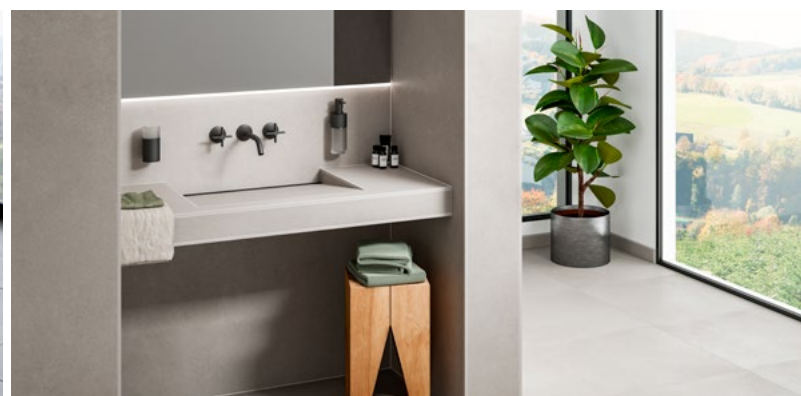


# Schlüter®-KERDI-BOARD-W-AB

## Wall Fixing Brackets



### Instructions for Installing the 'KBW5201170WLV1' as a floating Washbasin/ Vanity Unit without stands/legs



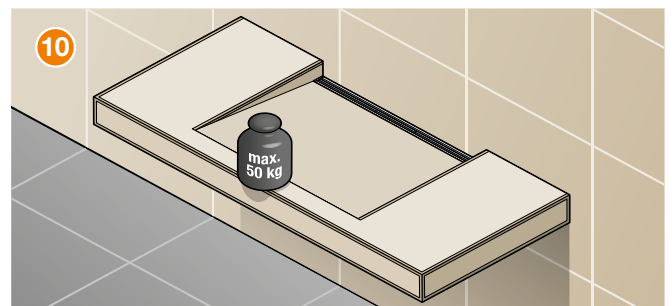
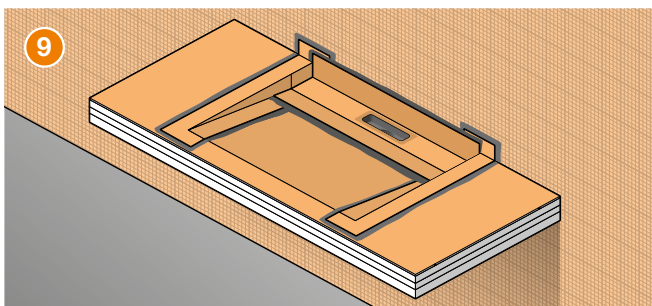
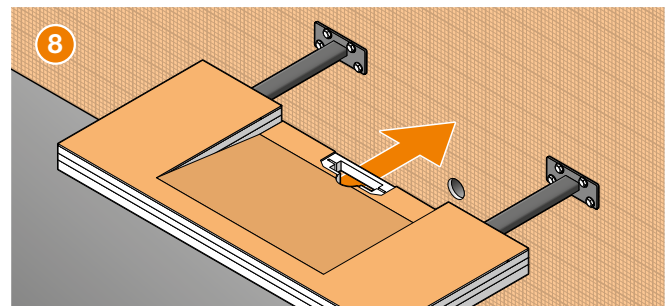
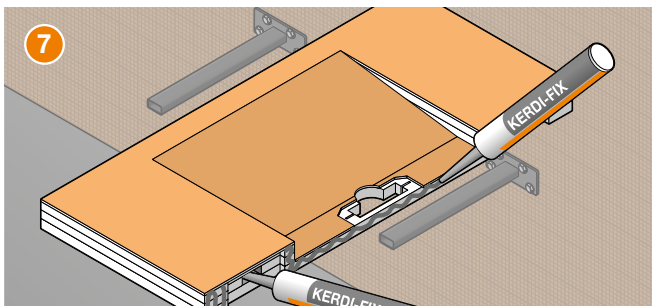
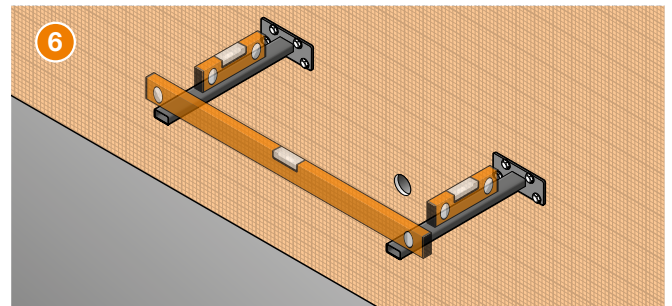
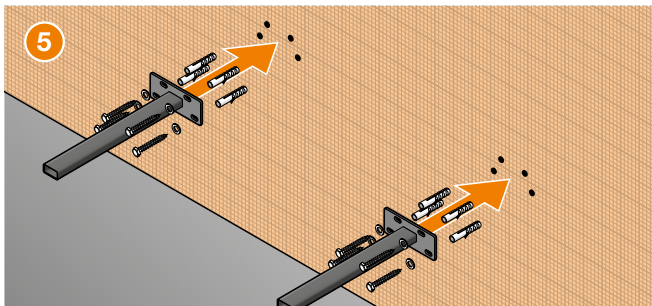
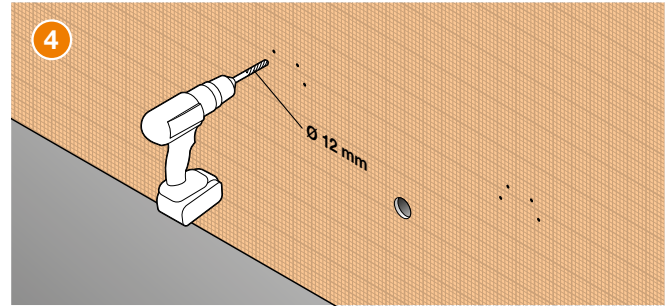
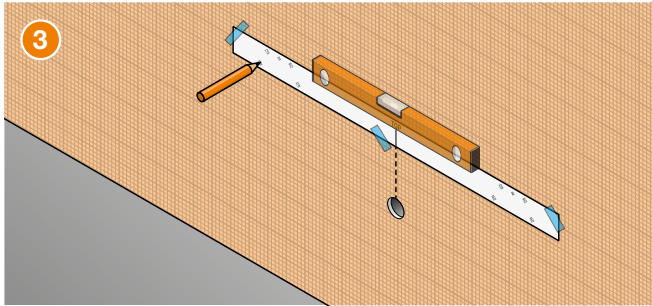
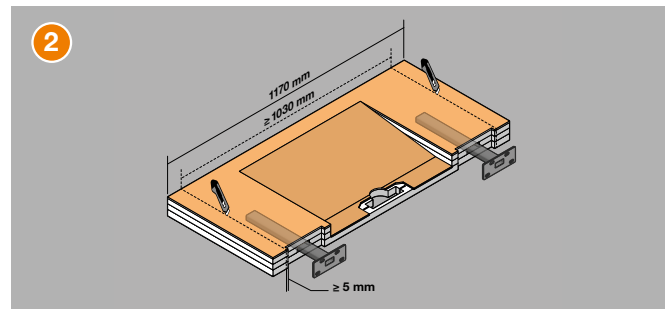
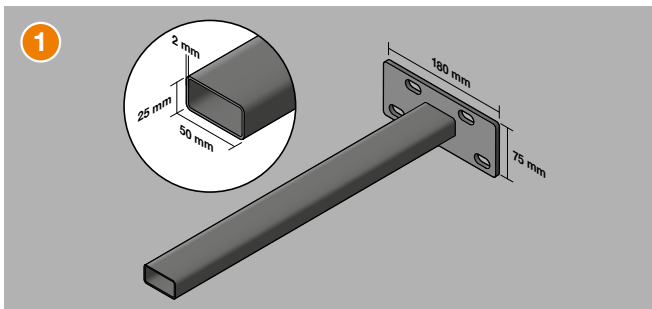
PROFILE OF INNOVATION

Schlüter-Systems KG · Schmölestraße 7 · D-58640 Iserlohn

Tel.: +49 2371 971-1261 · Fax: +49 2371 971-1112 · info@schluter.de · schluter-systems.com

Schlüter-Systems Ltd · Units 3-6 Bardon 22 Industrial Estate · Bardon Hill · Coalville · Leicestershire · LE67 1TE

Tel.: +44 1530 813396 · Fax: +44 1530 813376 · sales@schluter.co.uk · schluter.co.uk



The installation substrate must be rigid, even and load-bearing.

If fixing the washbasin/ vanity unit to a stud wall or to KERDI-BOARD pattressing is required to provide a load bearing structure. In this situation there is no need to use the wall plugs.

If fixing to dot and dab (plasterboard over blockwork) walls the brackets should be fixed on to the face of the plasterboard. Suitable fixings, which bridge the gap behind the plasterboard, transfer the load to solid blockwork and prevent the plasterboard crushing, must be used. An example is 'Corefix Metal & Plastic 100 Heavy Duty Dot & Dab Wall Fixings 10 mm x 95 mm'.

When the void behind the plasterboard is greater than the span of these fixings we suggest the wall plates of the brackets are fully supported on packers.

The wall should be tiled after the washbasin/ vanity unit is secured to the wall.