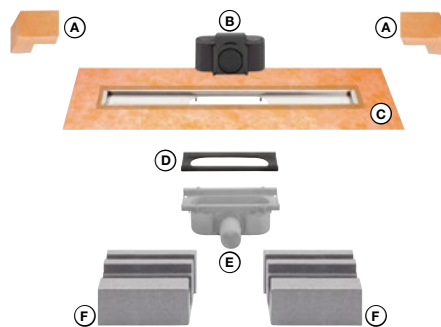
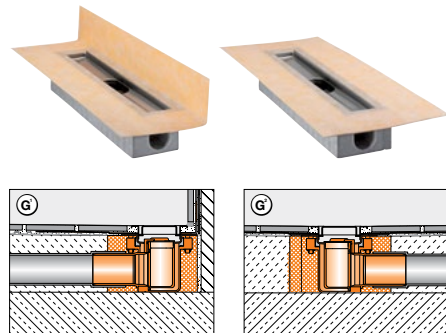


### Wall / Intermediate Installation Guide



- (A) Corner seal for wall corner connections
- (B) Odour trap
- (C) Drainage channel with waterproofing collar
- (D) EPDM gasket
- (E) Drain body/sump
- (F) Polystyrene channel support
- (G) Cross section of channel support, wall installation
- (G) Cross section of channel support, intermediate installation - the additional fill strip creates symmetry of Item G.



**1** Having determined the position of the drain and the outlet, carefully attach the grey polystyrene channel support to the adhesive tape on the underside of the drain, ensuring it is firmly attached.

It is usual for the wider part of the channel support to be fitted on the outlet side of the drain and the thinner part on the non-outlet side. But this can be varied depending on the outlet direction and the wall tile thickness.

Then apply a thin layer of tile adhesive to the floor substrate where the channel support will sit. Embed the channel support in place ensuring good adhesion.



**2** Using a spirit level adjust the drain until it is level along its length and across its width.

If necessary, apply spots of tile adhesive for height adjustment. Remember that for wall installation, the thickness of the tile or stone covering the wall must be taken into account. If necessary, use the polystyrene fill strip provided.

For intermediate installation, use the polystyrene fill strip to create symmetrical dimensions for the channel support.

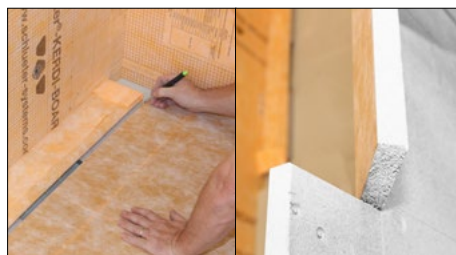


**3** Connect the drain outlet to the building drainage system, ensuring an appropriate fall on the waste pipe. Check for leaks.

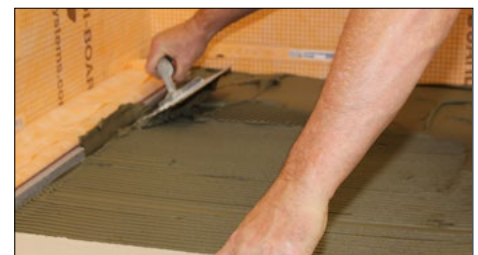
Using a spirit level check the drain is still level along its length and across its width, adjusting if necessary.



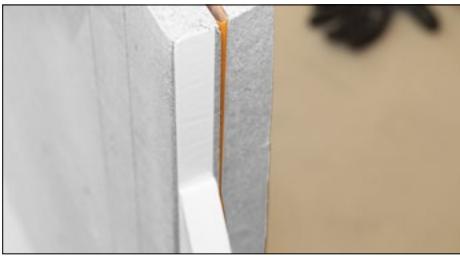
**4** Taking into account the height of the Schlüter-KERDI-SHOWER preformed shower board and the height of a bed of tile adhesive, screed a flat area of the same size as the shower board. This is likely to just cover the drain outlet.



**5** Using a utility knife and the pre-printed markings on the back measure and cut out the sloped tray KERDI-SHOWER to accommodate the drainage channel.



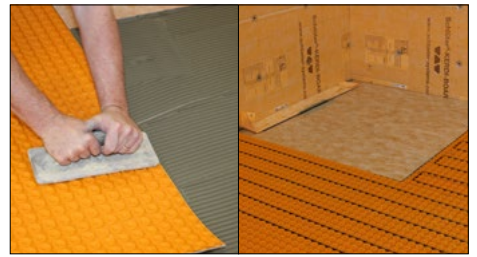
**6** Apply a bed of tile adhesive to the surface of the dry screed, ensuring the front edge of the drainage channel has adhesive underneath it.



**7** Tape the folded halves of the KERDI-SHOWER preformed shower board together.



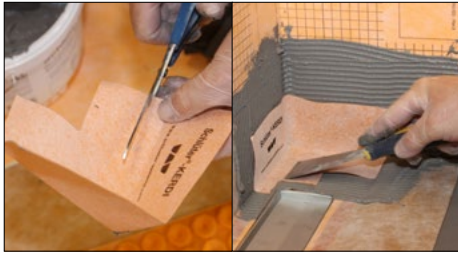
**8** Carefully place the KERDI-SHOWER preformed shower board on top of the adhesive bed, sliding the tray under the flange of the drainage channel. Care should be taken to ensure the channel is not lifted.



**9** If Schlüter-DITRA 25 uncoupling membrane, or Schlüter-DITRA-HEAT-E /-DUO underfloor heating is being used apply a bed of adhesive to the floor substrate and adhere the uncoupling membrane.



**10** Adhere the Schlüter-KERDI collar, using the sealing adhesive Schlüter-KERDI-COLL-L (see Product Data Sheet 8.4), to the adjoining waterproofing assembly with a 3 x 3 mm or 4 x 4 mm notched trowel and comb provided. Completely embed the KERDI collar in this assembly, observing the curing times of all materials.



**11** Cut the supplied Schlüter-KERDI-KERECK inside corner to size and attach it with KERDI-COLL-L.



**12** If Schlüter-KERDI-BOARD is used on the wall, use KERDI-COLL-L with a piece of Schlüter-KERDI-KEBA sealing band to waterproof the penetrations.



**13** Use Schlüter-KERDI-KERS to seal the junctions between the shower tray, the wall & the adjacent floor.



**14** Use KERDI-COLL-L to create tightly sealed wall connections with KERDI-KEBA sealing band.



**15** Insert the frame with the spacer strip. If the 30mm high frame is being used (only suitable for use with a central outlet position) carefully adjust the grate support feet around the trap so the trap can be removed for cleaning.



**16** Use the supplied height-adjustment aid to adjust the frame to the thickness of the tile covering.



**17** Use tile adhesive to fill beneath the frame on all sides and install the tile covering.



**18** Remove the spacer strip and height-adjustment aid after curing. Then insert the grate.