

# Schlüter®-VINPRO

Profiles designed for resilient floor and wall coverings



Finishing, edge protection and transition profiles



PROFILE OF INNOVATION

## Profiles designed for resilient floor and wall coverings

- ✓ Protects the edges of coverings in floors, walls and staircases
- ✓ Quick and simple to install
- ✓ Prevents trip hazards at the transition to different floor coverings and heights
- ✓ Available in the material finishes brushed chrome anodised aluminium (ACGB), brushed titanium anodised aluminium (ATGB) brushed antique bronze anodised aluminium (ABGB)

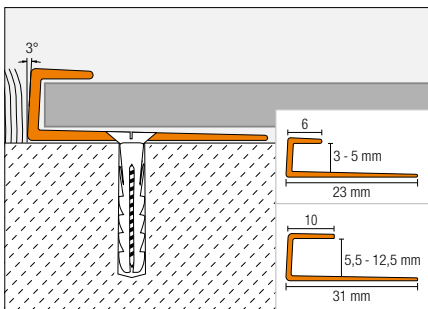




# Schlüter®-VINPRO-S



Schlüter-VINPRO-S is an edge profile for resilient coverings (e.g. LVT, vinyl coverings). It is designed to protect the edge of coverings at the transition to other coverings of the same or similar height or at the finishing edge of skirtings. (Product data sheet 18.1)



**3**  
surface finishes  
available

**ACGB**  
brushed chrome  
anodised  
aluminium

**ATGB**  
brushed titanium  
anodised  
aluminium

**ABGB**  
brushed antique  
bronze anodised  
aluminium

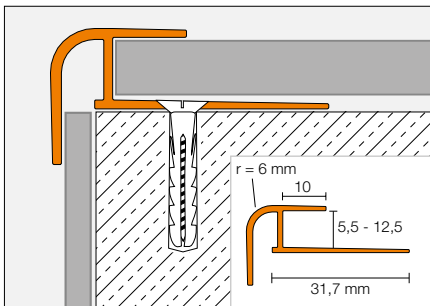
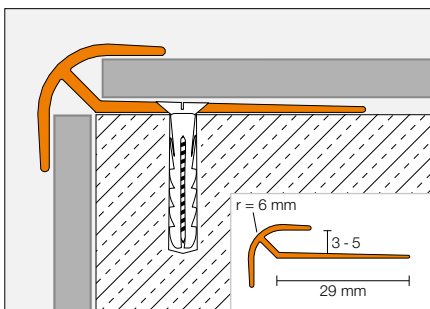




# Schlüter®-VINPRO-RO



Schlüter-VINPRO-RO is a finishing and edge protection profile for creating symmetrically rounded corners with resilient coverings (e.g. LVT, vinyl coverings). (Product data sheet 18.5)

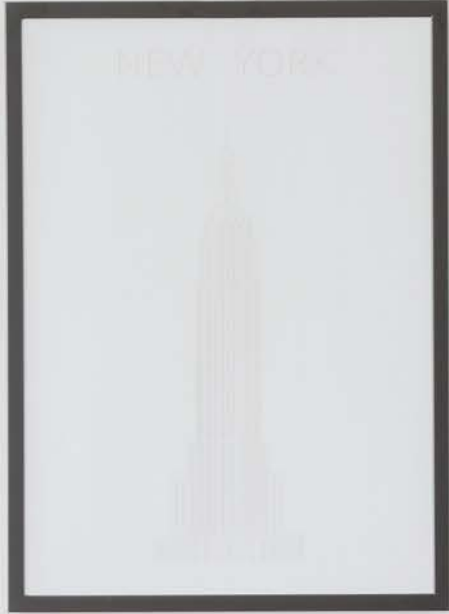


**3**  
surface finishes  
available

**ACGB**  
brushed chrome  
anodised  
aluminium

**ATGB**  
brushed titanium  
anodised  
aluminium

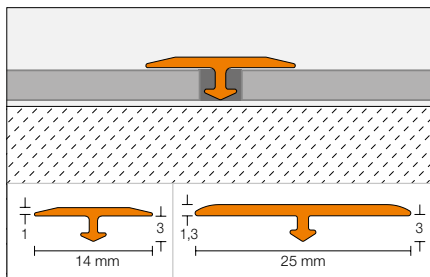
**ABGB**  
brushed antique  
bronze anodised  
aluminium





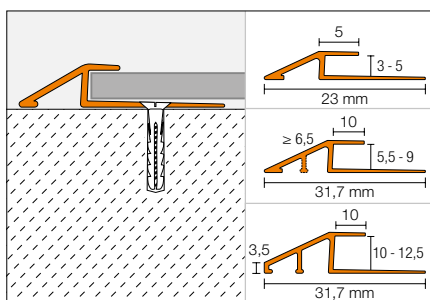
## Schlüter®-VINPRO-T

Schlüter-VINPRO-T is a retrofitted profile to adjoin different types of resilient floor coverings of the same height (e.g. LVT, vinyl coverings). (Product data sheet 18.2)



## Schlüter®-VINPRO-U

Schlüter-VINPRO-U is a profile to create step-less transitions from resilient floor coverings (e.g. LVT, vinyl coverings) to floor coverings at a lower height. (Product data sheet 18.3)

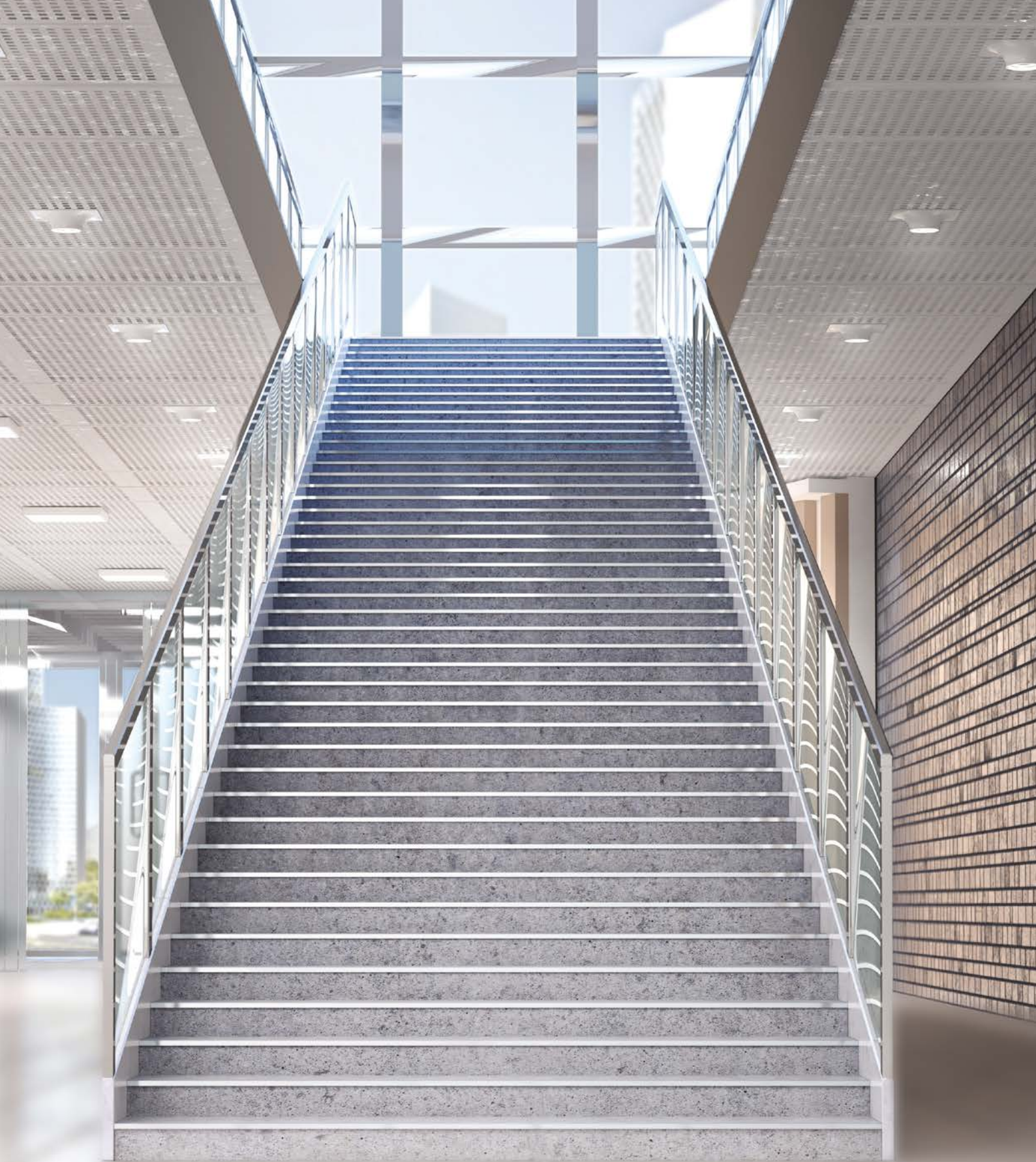


**3**  
surface finishes  
available

**ACGB**  
brushed chrome  
anodised  
aluminium

**ATGB**  
brushed titanium  
anodised  
aluminium

**ABGB**  
brushed antique  
bronze anodised  
aluminium

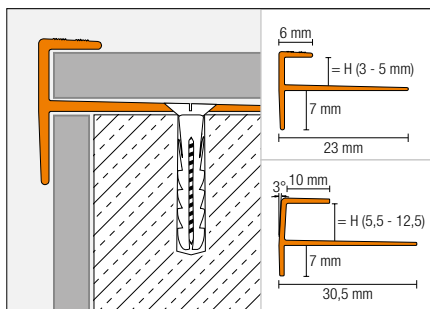






## Schlüter®-VINPRO-STEP

Schlüter-VINPRO-STEP is a finishing and edge protection profile for resilient coverings (e.g. LVT, vinyl coverings) on stairs. The profile has a rectangular shape and features an anti-slip textured footer. (*Product data sheet 18.4*)



**3**  
surface finishes  
available

**ACGB**  
brushed chrome  
anodised  
aluminium

**ATGB**  
brushed titanium  
anodised  
aluminium

**ABGB**  
brushed antique  
bronze anodised  
aluminium



### Installation with fixings

Due to the special VINPRO perforation, the profile can be easily attached to the substrate with suitable fixings. The screw heads push the edges of the punch-out into the substrate until they are flush with the profile surface, which creates additional support for the profile. Using the anchoring leg's existing screw holes, fix the profiles to the substrate. 6 mm flat head screws are recommended as fixings. Screw heads should be flush with the surface of the anchoring leg so they are not visible in the finished covering.





Schlüter®-VINPRO-S



Schlüter®-VINPRO-RO



Schlüter®-VINPRO-T



Schlüter®-VINPRO-U



Schlüter®-VINPRO-STEP





## All profiles at a glance

Profile	Height (mm)														Width (mm)	Length (mm)
	3	4	5	5.5	6	6.5	7	7.5	8	8.5	9	10	11	12.5		
Schlüter®-VINPRO-S-ACGB	•	•	•	•	•	•	•	•	•	•	•	•	•	•		2.50
Schlüter®-VINPRO-S-ATGB	•	•	•	•	•	•	•	•	•	•	•	•	•	•		2.50
Schlüter®-VINPRO-S-ABGB	•	•	•	•	•	•	•	•	•	•	•	•	•	•		2.50
Schlüter®-VINPRO-RO-ACGB	•	•	•	•	•	•	•	•	•	•	•	•	•	•		2.50
Schlüter®-VINPRO-RO-ATGB	•	•	•	•	•	•	•	•	•	•	•	•	•	•		2.50
Schlüter®-VINPRO-RO-ABGB	•	•	•	•	•	•	•	•	•	•	•	•	•	•		2.50
Schlüter®-VINPRO-T-ACGB	•														14 / 25	2.50
Schlüter®-VINPRO-T-ATGB	•														14 / 25	2.50
Schlüter®-VINPRO-T-ABGB	•														14 / 25	2.50
Schlüter®-VINPRO-U-ACGB	•	•	•	•	•	•	•	•	•	•	•	•	•	•		2.50
Schlüter®-VINPRO-U-ATGB	•	•	•	•	•	•	•	•	•	•	•	•	•	•		2.50
Schlüter®-VINPRO-U-ABGB	•	•	•	•	•	•	•	•	•	•	•	•	•	•		2.50
Schlüter®-VINPRO-STEP-ACGB	•	•	•	•	•	•	•	•	•	•	•	•	•	•		2.50
Schlüter®-VINPRO-STEP-ATGB	•	•	•	•	•	•	•	•	•	•	•	•	•	•		2.50
Schlüter®-VINPRO-STEP-ABGB	•	•	•	•	•	•	•	•	•	•	•	•	•	•		2.50

### Surface finish



**ACGB**  
brushed chrome anodised  
aluminium



**ATGB**  
brushed titanium anodised  
aluminium



**ABGB**  
brushed antique bronze  
anodised aluminium



VINPRO-S



VINPRO-RO



VINPRO-T



VINPRO-U



VINPRO-STEP



<https://www.schluter.co.uk/vinpro.aspx>

i

## Informative. Find out more!

Would you like to know more about Schlüter-Systems?  
Then you might like to learn more. The quickest way is to visit our website.  
For more information, visit our website at [www.schluter.co.uk](http://www.schluter.co.uk)



Your authorised dealer:



INNOVATIONEN MIT PROFIL

**Schlüter-Systems KG** · Schmölestraße 7 · D-58640 Iserlohn  
Tel.: +49 2371 971-0 · Fax: +49 2371 971-1111 · [info@schlueter.de](mailto:info@schlueter.de) · [www.schlueter.de](http://www.schlueter.de)