

Material and shopping checklist

You will need the following materials for installing a linear drainage channel:

- Schlüter®-KERDI-LINE-H or -V drainage channels
- Schlüter®-KERDI-LINE-F with horizontal, frontal drain
- Schlüter®-KERDI-LINE-VOS with vertical, off-centre drain
- Schlüter®-KERDI-LINE-A/-B/-C grate and frame combination
- Schlüter®-KERDI-LINE-D frameless channel cover
- Schlüter®-KERDI-LINE-STYLE (E/F/G) Contour frame with design cover
- Schlüter®-KERDI-COLL-L sealing adhesive
- Dry-set mortar (tile adhesive)
- Grout

Further system products for barrier-free showers:

- Schlüter®-SHOWERPROFILE-S triangular profile
- Schlüter®-SHOWERPROFILE-R wall connection profile
- Schlüter®-KERDI-SHOWER sloped trays
- Schlüter®-DILEX-EKSN Movement joint profile for the shower access area
- Schlüter®-RENO-U Transition profile for the shower access area
- Schlüter®-KERDI-KEBA sealing bands
- Schlüter®-KERDI waterproofing membranes

Your retail store:

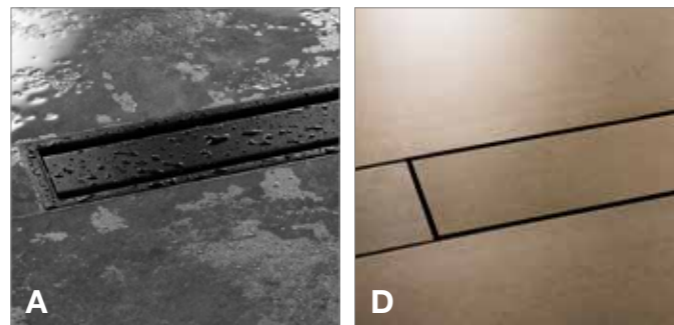
Schlüter-Systems KG · Schmölestraße 7 · D-58640 Iserlohn
Tel.: +49 2371 971-261 · Fax: +49 2371 971-112 · www.schluter-systems.com

Schlüter-Systems Ltd · Units 3-5 Bardon 22 Industrial Estate
Beveridge Lane · Coalville · Leicestershire · LE67 1TE
Tel.: +44 1530 813396 · Fax: +44 1530 813376
sales@schluter.co.uk · www.schluter.co.uk

Art.-No. 553 422 – edition 02/22

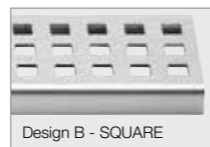
Schlüter®-KERDI-LINE-A/-B/-C/-D

Grate/frame combination and covering support



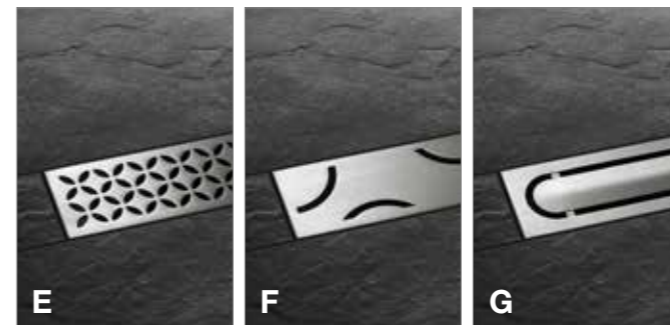
Pre-fabricated grate and frame combinations made of brushed, polished or powder-coated stainless steel in lengths of 50 to 180 cm (grate length) in elegant Schlüter-QUADEC design or the frameless channel cover, which can be covered with the same tiles as the shower area.

- Pre-fabricated grate and frame combinations made of brushed, polished or powder-coated stainless steel
- Available in 14 lengths from 50–180 cm in 10 cm increments
- Frame in elegant Schlüter-QUADEC design with grate insert
- Seamlessly adjustable stainless steel insertion frame, available in two versions, to accommodate covering materials in thicknesses from 3 mm to 25 mm
- Variations of designer grate:
 - A** – Closed, stainless steel with lateral drainage slits
 - B** – Square perforated stainless steel with lateral drainage slits
 - C** – Tile pan for tile inserts with lateral drainage slits
- D** – Frameless covering support made of stainless steel
- Fits all covering thicknesses
- Ideal for natural stone



Schlüter®-KERDI-LINE-STYLE (E, F, G)

Contour frame with design cover



Contour frames with elegant design covers made of brushed stainless steel to match Schlüter-KERDI-LINE channel bodies. The slim contour frame is seamlessly height-adjustable to accommodate covering materials in thicknesses from 6 to 18 mm.

- Pre-fabricated grate/frame combinations made of brushed stainless steel
- Available in 8 lengths from 50 to 120 cm in 10-cm increments
- Frame in slim contour frame design with grate cover
- Seamlessly adjustable stainless steel insertion frame to accommodate covering materials in thicknesses from 6 mm to 18 mm
- 3 cover variants:
 - E** – FLORAL design
 - F** – CURVE design
 - G** – PURE design
- No silicone joint required between covering and frame
- Suitable for wheelchair use



Innovations for floor level showers



Innovations for floor level showers



Schlüter-Systems provides you with ...

... all the tools you need to create barrier-free, floor level showers. The components are carefully matched and designed to ensure maximum installation reliability with basic tools and construction skills. The modular design offers the highest level of flexibility to customers and installers alike.



Schlüter®-KERDI-LINE linear drainage channel



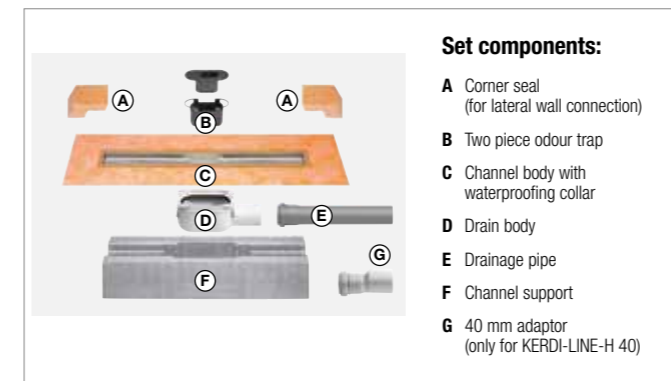
Schlüter-KERDI-LINE channel bodies are made of solid V4A stainless steel. They are available in different varieties for horizontal and vertical drainage. They come in 14 different lengths to match the various grate/frame combinations of the system and the frameless covering support as well as for 8 contour frames with design covers. The channel bodies of Schlüter-KERDI-LINE are designed for variable installation in wall and floor areas. The pre-attached Schlüter-KERDI collar allows for secure waterproofing in all configurations.

- Formed channel body of 1.5 mm stainless steel, without welded joints.
- Easy installation with fitted channel support made of polystyrene
- Installation without mechanical fixings
- Acoustic break with optional edge insulation
- Variations for horizontal or vertical drainage available
- Horizontal drainage at the floor level
- Vertical drainage through the floor level
- Removable odour trap
- Universally usable for wall and intermediate installation
- Universally usable for upright lateral walls
- Lengths 50 – 120 cm are also available with horizontal, frontal drain (Schlüter-KERDI-LINE-F)
- Pre-attached Schlüter-KERDI collar
- Integrated with the bonded waterproofing system Schlüter-KERDI

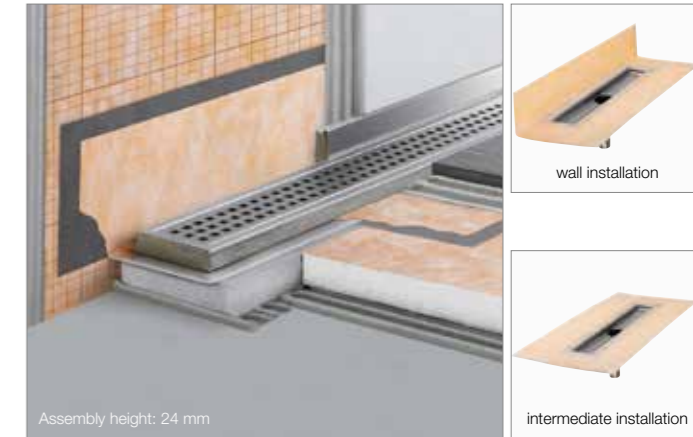
Schlüter®-KERDI-LINE-H line drainage with horizontal drain



Schlüter-KERDI-LINE-H is a complete linear drainage set for floor level showers with a horizontal drain. It can be universally used for intermediate installation in floor or wall areas. The perimeter of the channel body consists of an adhesive flange that is bonded to a collar made of Schlüter-KERDI. It ensures the reliable connection of the channel body to the bonded waterproofing assembly, both in the floor area and on upright walls.



Schlüter®-KERDI-LINE-V line drainage with vertical drain



Schlüter-KERDI-LINE-V is a complete linear drainage set for floor level showers with a vertical drain. It can be universally used for intermediate installation in floor or wall areas. The perimeter of the channel body consists of an adhesive flange that is bonded to a collar made of Schlüter-KERDI. It ensures the reliable connection of the channel body to the bonded waterproofing assembly, both in the floor area and on upright walls. In lengths 70 – 120 cm, vertical floor drains are also available with vertical, off-centre drainage (Schlüter-KERDI-LINE-VOS).

