

Schlüter®-BEKOTEC-THERM

Ceramic thermal comfort floor



Technical Manual



PROFILE OF INNOVATION



Werner Schlüter
SCHLÜTER-SYSTEMS KG



About this manual:

The design principle of the ceramic thermal comfort floor

The innovative Schlüter-BEKOTEC-THERM heating system is referred to as a “ceramic thermal comfort floor,” to emphasise the fact that our company views the heating system of the floor as a system assembly, in which all components, design planning and construction must seamlessly fit together. After all, to meet the many requirements, the “ceramic thermal comfort floor” must provide insulation, heating, cooling and waterproofing in wet areas, while also absorbing traffic loads and serving as a visually appealing design element.

Past experience has shown how difficult it is to achieve a satisfactory balance between the aspects of construction, physics and heating technology in the overall floor assembly. As a consequence, conventional heated screeds with ceramic and natural stone coverings frequently buckle and form cracks. This is mainly attributable to the fact that screed and ceramics expand and contract at different rates due to their different heat expansion coefficients during temperature changes.

The provisions of the corresponding standards, for example the regulations that specify the thickness of the screed, the position and type of movement joints, the construction of reinforcement inserts, or the maximum residual moisture for tile installation, do not solve the physical problems encountered in construction.

From the perspective of heating technology, the disadvantage of a relatively large mass of screed is that a great amount of heating energy must initially be used and stored. Conventional radiant floor heating systems therefore are slow to respond to temperature changes.

With our integrated BEKOTEC-THERM system we have developed a structure that solves all these problems in one internationally patented assembly. In this regard, the name “BEKOTEC” stands for the technique of the assembly construction and “THERM” for the heating components. BEKOTEC-THERM is based on a thin layer floor assembly of cement or gypsum based screeds which are applied on top of the studded BEKOTEC panels. The stud pattern of the panel reduces stresses in the screed. With the help of Schlüter uncoupling mats, ceramic tiles can be installed as soon as the screed is ready to bear weight. Our THERM components series is a heating technology that is an exact match for BEKOTEC and includes everything from heating pipes to electronic control systems. The relatively small amount of screed and the proximity of the heating pipes to the surface allow for a quick reaction to temperature changes. This makes BEKOTEC-THERM a quick reacting “ceramic thermal comfort floor” that can be operated with great energy efficiency at very low supply temperatures. Of course, other flooring materials can be installed over the BEKOTEC screed as well.

BEKOTEC-THERM, which is equally suited for new constructions and the refurbishment of older buildings, offers developers many advantages and true added value.

Since the applicable DIN standards, regulations and even legislation tend to make construction work more complicated instead of easier, this manual was written to document the construction steps of installing a BEKOTEC-THERM ceramic thermal comfort floor in a simple and understandable way.



Sincerely,
Schlüter-Systems KG



Reducing stresses in the screed...



...without unpleasant surprises.





Advantages of Schlüter®-BEKOTEC-THERM

You will love it



Simple

The installation of Schlüter-BEKOTEC-THERM does not require complex components or expensive construction materials. All you need is simple technology, proven for decades. You can start heating the screed just 7 days after installing the ceramic/natural stone tile covering. Depending on the supply temperature, the heat curing phase only takes 2–3 days (start with a water temperature of 25 °C, then gradually increase the temperature by up to 5 °C a day until the required supply temperature has been reached).



Safe

Are you planning to install a ceramic tile covering? Great! Schlüter-BEKOTEC-THERM keeps ceramic coverings permanently crack-free – starting from tile formats of 5 x 5 cm, without any size limitation. That means you can safely install and maintain stylish large formats free of damage. Another advantage: BEKOTEC is virtually buckle-free, which relegates torn skirting joints to the past.



Quick

If using conventional cementitious screed and ceramic tile coverings, there is no need to measure or reach specific residual moisture levels. Your tile installation can start as soon as the screed is ready to bear weight. Without complex and expensive special construction materials, your customer will be able to move in 28 days earlier, which saves time and money.



Easy

The BEKOTEC-THERM system does not require joints in the screed (except for structural expansion joints etc.). The control joints in the top covering specified by the relevant guidelines can therefore be positioned independent of the screed. That eliminates unsightly joints in the tile pattern and creates results that speak for themselves.



Sustainable

Due to its low assembly height, the BEKOTEC-THERM system can be operated with particularly low supply temperatures. That makes it an excellent fit for combined use with sustainable, modern heat pumps. As an added benefit, the lower screed volume also decreases the consumption of resources such as sand and cement, which significantly lowers the ecological footprint.



System warranty

Schlüter-Systems KG offers an expanded, project-specific warranty for users of the BEKOTEC-THERM floor covering assembly. It includes sufficient weight bearing ability and cracks forming in coverings made of ceramic tiles, natural stone or agglomerated stone.

To qualify for the warranty, BEKOTEC-THERM systems must be installed in accordance with the relevant product data sheets and the specifications of Schlüter-Systems KG.

Questions? Our technical team will be pleased to assist you!

Phone: +49 2371 971-0

Where to find help

We are happy to help

Technical consulting

Our Technical Department will be pleased to assist with any questions you may have concerning the assembly and the corresponding heating and control technology. Consultation on bespoke designs and solutions for your project are available on request.

Schlüter-BEKOTEC-THERM has been tested and approved for use with multiple tile adhesives (technical approval in Germany, ABP), light-weight screeds and bound fill. Depending on the construction project, special arrangements and additional tests are available on request.

Heating capacity calculation

We use a special software solution to precisely determine the heating load of buildings and individual rooms on the basis of the corresponding drawings and data in order to guarantee optimum heat distribution of the BEKOTEC-THERM ceramic thermal comfort floor.

Tender documents

Our own tender texts can be found online at www.schlueter-systems.com for downloading. We can develop customised materials for tender based on the technical design of Schlüter-BEKOTEC-THERM as a radiant panel heating system.

On site consulting

Please contact our offices if you need professional consulting onsite. We will be pleased to arrange an appointment – for BEKOTEC-THERM and more.


Schlüter-Systems training

Our company offers training and workshops with particular focus on BEKOTEC-THERM for tradespeople, installation companies and sales staff. Please contact us to find out more about these events!



Schlüter®-BEKOTEC-THERM

System components heated floor assembly

- 1 Schlüter®-BEKOTEC-EN**
Studded screed panel for the attachment of Schlüter-heating pipes
Note: Additional insulation and waterproofing is required in accordance with the applicable regulations.
- 2 Schlüter®-BEKOTEC-BRS**
Screed edge strip
The edge strip BRS 808 KSF must be used with the studded screed panels EN 23 F, EN 18 FTS and EN 12 FK (see page 26 for matching edge strips).
- 3 Schlüter®-BEKOTEC-THERM-HR**
Heating pipe (diameter corresponds to system)
BT HR symbol system:

- 4 Schlüter®-BEKOTEC-THERM-HV**
Stainless steel heating circuit distributor with connection accessories
4.1 Hot flow leg **4.2** Cold return leg
- 5 Schlüter®-BEKOTEC-THERM-VS**
Distribution cabinet
- 6 Schlüter®-BEKOTEC-THERM-E**
Electronic temperature control
6.1 Room sensor **6.2** Actuator
6.3 Control base module with connection module
6.4 Timer unit (optional)

System components for the installation of tiles and natural stone (see separate price list)

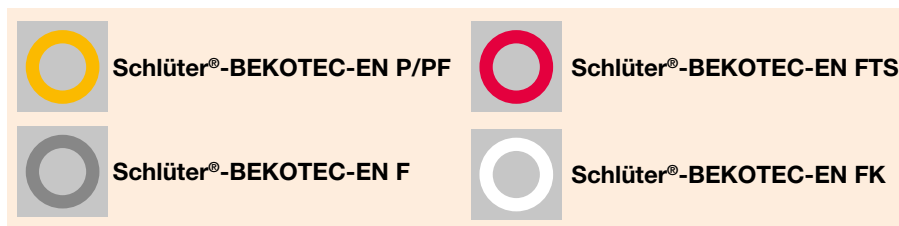
- 7 Schlüter®-DITRA**
7.1 Schlüter®-DITRA
(Assembly height 5 mm), Bonded uncoupling, waterproofing, vapour pressure equalisation, heat distribution, or
7.2 Schlüter®-DITRA-DRAIN 4
(Assembly height 6 mm), Bonded uncoupling, vapour pressure equalisation, heat distribution, or
7.3 Schlüter®-DITRA-HEAT
(Assembly height 7 mm), Bonded uncoupling, waterproofing for additional electrical floor warming/heating
- 8 Schlüter®-DILEX or -RF**
Maintenance free edge and movement joint profiles
- 9 Schlüter®-RONDEC, -JOLLY, -QUADEC or -LIPROTEC-VB /-VBI**
Decorative finishing profiles for walls, skirting and floors

System components not available from Schlüter-Systems

- 10 Screed**
made of cement or gypsum-based materials (see page 27 for specification)
- 11 Thin bed tile adhesive**
- 12 Ceramic tiles or natural stone**
Other coverings such as carpet, laminates, vinyl and parquet are also feasible in compliance with the applicable installation standards.

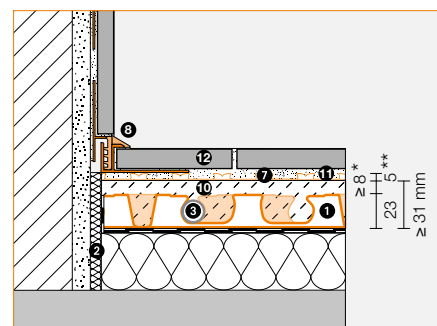
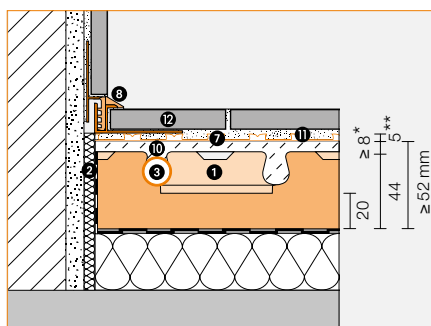
Colour code guide

for easy system selection



All-round systems

Installed over insulation or directly over load bearing substrates (example with Schlüter-DITRA)



Assembly with Schlüter-BEKOTEC-EN P/PF and heating pipe 16 x 2 mm; see product data sheet 9.1.



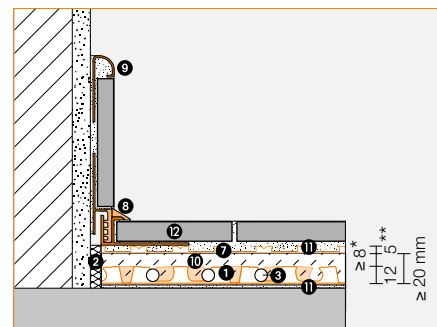
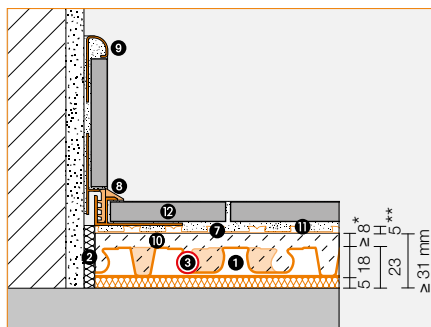
Assembly with Schlüter-BEKOTEC-EN 23 F and heating pipe 14 x 2 mm, see product data sheet 9.2.

* Observe max. coverage (see page 22).

** Assembly height DITRA = 5 mm, see 7 for additional product specific assembly heights.

Restoration systems

directly over load bearing substrates only (example with Schlüter-DITRA)



Assembly with Schlüter-BEKOTEC-EN 18 FTS and heating pipe 12 x 1.5 mm (with integrated impact sound insulation; directly installed floating over load bearing substrates), see product data sheet 9.4.



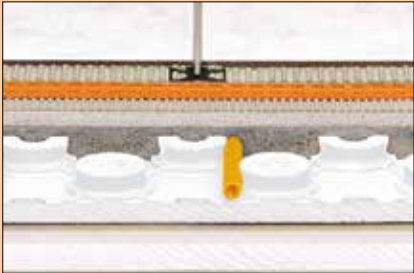
Assembly with Schlüter-BEKOTEC-EN 12 FK and heating pipe 10 x 1.3 mm (directly adhered over load bearing substrates), see product data sheet 9.5.

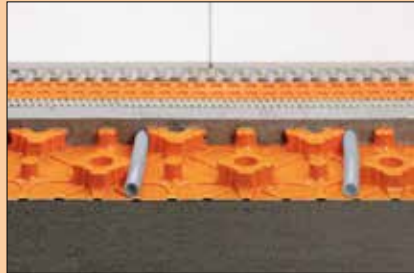
* Observe max. coverage (see page 22).


** Assembly height DITRA = 5 mm, see 7 for additional product specific assembly heights.



System assemblies

Schlüter®-BEKOTEC-EN P/PF	Page
	
Application and function <ul style="list-style-type: none"> Non buckling, thin layer covering assembly. 20 	
Ceramic thermal comfort floor <ul style="list-style-type: none"> System assembly 37 	
Prerequisites and implementation <ul style="list-style-type: none"> Installation of the studded screed panel Schlüter-BEKOTEC-EN/P or /PF 38 	
Schlüter®-BEKOTEC-EN/P or /PF <ul style="list-style-type: none"> Performance data and example: Schlüter-BEKOTEC-THERM Ceramic thermal comfort floor 84 Performance data: with non ceramic floor coverings. 85 – 87 	

Schlüter®-BEKOTEC-EN F	Page
	
Application and function <ul style="list-style-type: none"> Non buckling, thin layer covering assembly. 20 	
Ceramic thermal comfort floor <ul style="list-style-type: none"> System assembly 40 	
Prerequisites and implementation <ul style="list-style-type: none"> Installation of the studded screed panel Schlüter-BEKOTEC-EN 23 F 41 	
Schlüter®-BEKOTEC-EN 23 F <ul style="list-style-type: none"> Performance data and example: Schlüter-BEKOTEC-THERM Ceramic thermal comfort floor 88 Performance data: with non ceramic floor coverings. 89 – 91 	

Schlüter®-BEKOTEC-EN FTS	Page
	
Application and function <ul style="list-style-type: none"> Non buckling, thin layer covering assembly. 20 	
Ceramic thermal comfort floor <ul style="list-style-type: none"> System assembly 43 	
Prerequisites and implementation <ul style="list-style-type: none"> Installation of the studded screed panel Schlüter-BEKOTEC-EN 18 FTS 44 	
Schlüter®-BEKOTEC-EN 18 FTS <ul style="list-style-type: none"> Performance data and example: Schlüter-BEKOTEC-THERM Ceramic thermal comfort floor 92 Performance data: with non ceramic floor coverings. 93 – 95 	






Schlüter®-BEKOTEC-EN FK	Page
	
Application and function <ul style="list-style-type: none"> Non buckling, thin layer covering assembly. 20 	
Ceramic thermal comfort floor <ul style="list-style-type: none"> System assembly 46 	
Prerequisites and implementation <ul style="list-style-type: none"> Installation of the studded screed panel Schlüter-BEKOTEC-EN 12 FK 47 	
Schlüter®-BEKOTEC-EN 12 FK <ul style="list-style-type: none"> Performance data and example: Schlüter-BEKOTEC-THERM Ceramic thermal comfort floor 96 Performance data: with non ceramic floor coverings. 97 – 99 	

Table of contents

Content	Page
Installation overview (with page references)	
■ 9 step guide	10 – 11
Ceramic thermal comfort floor – application and properties	
■ Application areas	12 + 20
■ Thermal properties	13 – 15
■ Regenerative sources of energy and modern energy technologies	16 – 18
■ Advantages for users/thermal comfort	19
■ Traffic loads/ screed covers	21 – 22
Prerequisites and implementation	
■ Installation notes, structural and/or movement joints in the load bearing substrate, thermal/sound insulation and separating layers	23 – 25
■ Edge strips and edge joints	26
■ Joints in the Schlüter-BEKOTEC System	27
■ Screeds for BEKOTEC systems	28
Additional system products for ceramic tiles and natural stone	
■ Joints in the surface covering	28
■ Installation of the uncoupling membranes	29
■ Wetrooms and bathrooms	29
■ Schlüter-DITRA-HEAT-E	117 – 119
Product service and planning materials	
■ Our service	30
■ Various floor coverings	80 – 82
■ Heat insulation according to the Energy Savings Ordinance (EnEV) and DIN EN 1264-4 (BS EN 1264-4)	31 – 32
■ Floor assemblies for various application areas	33 – 36
■ Performance diagrams	84 – 99
■ Certified quality	102
Innovative system solutions	
■ Cooling function with BEKOTEC control technology	101
■ Application and scope	103

Attachments	Page
I.I Pressure loss diagram for BEKOTEC system/accessories	104 – 106
I.II Sound measurement	107
II.I Project engineering data sheets	108 – 110
II.II Project description	111
II.III Window specifications	112
III Filling, flushing, and venting	113
IV Pressure sample report	114
V Heating up and cure heating screeds with non ceramic coverings	115
VI Certificate for CM measurement	116
Standards and regulations	120

Content by colour guide system	Page
Schlüter®-BEKOTEC-EN/P or EN/PF	
■ System structure	37
■ Installation of the studded screed panel	38
■ Supplementary system products	39
■ Performance diagrams	84 – 87
Schlüter®-BEKOTEC-EN 23 F	
■ System structure with low assembly height	40
■ Installation of the studded screed panel	41
■ Supplementary system products	42
■ Performance diagrams	88 – 91
Schlüter®-BEKOTEC-EN 18 FTS	
■ System assembly with integrated sound insulation	43
■ Installation of the studded screed panel	44
■ Supplementary system products	45
■ Performance diagrams	92 – 95
Schlüter®-BEKOTEC-EN 12 FK	
■ System structure with very low assembly height	46
■ Installation of the studded screed panel	47
■ Supplementary system products	48
■ Performance diagrams	96 – 98

Technical data – system products	Page
■ System heating pipe Schlüter-BEKOTEC-THERM-HR	49 – 51
■ Pressure loss diagram, system pipes	104
■ Heating circuit distributors DN 25 – HVT/DE and HVP	52 – 55
■ Distribution cabinets	56 – 57
■ Actuators	58 – 59
■ Hydronic balancing	60
■ Room temperature control technology	62 – 63
■ Connection set, calorimeter – PW	64
■ Fixed value control – FRS – supply temperature, use, function, planning example	65 – 69
Floor heating for individual heating circuits	
■ Return temperature limit valves RTB and RTBR with remote sensor	71 – 79



Installation overview (with page references)



The 9 point guide for surface coverings of tile, natural stone or ceramics

1	Traffic load acc. to DIN 1991 (BS EN 1991) Ceramic tiles e.g. in industrial premises, workshops, warehouses (without forklifts) Observe static requirements	<i>see pages 21 + 22</i>		
2	General structural prerequisites Installation notes, general requirements and structural prerequisites, screeds ...	<i>see pages 23 – 28</i>		
3	Screed cover/ calculation Depending on studded screed panel - match with Schlüter-DITRA, -DITRA-DRAIN 4, -DITRA-HEAT (with various surface coverings, if applicable)	<i>see pages 21, 22, 27</i>		
4	Joints in the screed = Structural joints, existing joints, sound insulation joints (screed reductions, e.g. at door transitions, must be separated with the expansion joint profiles Schlüter-DILEX-DFP) Observe architectural joint design	<i>see pages 24 + 27</i>		
5	Joints in the surface covering (use Schlüter-DILEX movement or stress relieving profiles) Observe architectural joint design	<i>see page 28</i>		
6	Filling, flushing, and venting Leak testing according to DIN EN 1264 (with report) (BS EN 1264) ...to be completed before installing the screed (Test with double operating pressure, at least 6 bar)	<i>see page 27 + page 113 – Attachment III</i> <i>see page 27 + page 114 – Attachment IV</i>		
7	Installation of screed ...and allocation of the matching system edge strips	<i>see pages 26 – 27</i>		
8	Installation of the Schlüter uncoupling membranes and surface tile or stone covering <table border="1" style="width: 100%; border-collapse: collapse;"> <tr> <td style="width: 50%; padding: 5px;"> ... on cement screeds CT C25 F4 (ZE20) (max. F5) after reaching initial readiness <i>to bear weight</i> <i>(observe</i> <i>Data sheet 6.1 DITRA</i> <i>Data sheet 6.2 DITRA-DRAIN</i> <i>Data sheet 6.4 DITRA-HEAT)</i> </td> <td style="width: 50%; padding: 5px;"> on flowing screeds CA C25 F4 (AE 20) (max. F5) with residual moisture < 2% <i>(observe</i> <i>Data sheet 6.1 DITRA</i> <i>Data sheet 6.2 DITRA-DRAIN</i> <i>Data sheet 6.4 DITRA-HEAT)</i> CM measurement by installer of surface covering - If necessary, surface treatment (in accordance with specifications of screed manufacturer) </td> </tr> </table>	... on cement screeds CT C25 F4 (ZE20) (max. F5) after reaching initial readiness <i>to bear weight</i> <i>(observe</i> <i>Data sheet 6.1 DITRA</i> <i>Data sheet 6.2 DITRA-DRAIN</i> <i>Data sheet 6.4 DITRA-HEAT)</i>	on flowing screeds CA C25 F4 (AE 20) (max. F5) with residual moisture < 2% <i>(observe</i> <i>Data sheet 6.1 DITRA</i> <i>Data sheet 6.2 DITRA-DRAIN</i> <i>Data sheet 6.4 DITRA-HEAT)</i> CM measurement by installer of surface covering - If necessary, surface treatment (in accordance with specifications of screed manufacturer)	<i>see pages 29 + 80</i>
... on cement screeds CT C25 F4 (ZE20) (max. F5) after reaching initial readiness <i>to bear weight</i> <i>(observe</i> <i>Data sheet 6.1 DITRA</i> <i>Data sheet 6.2 DITRA-DRAIN</i> <i>Data sheet 6.4 DITRA-HEAT)</i>	on flowing screeds CA C25 F4 (AE 20) (max. F5) with residual moisture < 2% <i>(observe</i> <i>Data sheet 6.1 DITRA</i> <i>Data sheet 6.2 DITRA-DRAIN</i> <i>Data sheet 6.4 DITRA-HEAT)</i> CM measurement by installer of surface covering - If necessary, surface treatment (in accordance with specifications of screed manufacturer)			
9	Heating up / start up 7 days after completion of the covering at the earliest. Start at 25 °C, and increase the water supply temperature by 5 °C every day until the specified design temperature is reached	<i>see page 82</i>		

Installation overview (with page references)



The 9 point guide for surface coverings of non-ceramic materials

1	Traffic load acc. to DIN 1991 (BS EN 1991) <i>see page 22</i>			
	Carpet, vinyl, PVC, linoleum, cork	Parquet without tongue and groove connection	Parquet with tongue and groove connection	Floating parquet, laminate
Observe static requirements				
2	General structural prerequisites <i>see pages 23 – 28</i>			
Installation notes, general requirements and structural prerequisites, screeds ...				
3	Screed cover/ calculation <i>see pages 21, 22, 27</i>			
Depending on studded screed panel - match with Schlüter-DITRA, -DITRA-DRAIN 4, -DITRA-HEAT (with various surface coverings, if applicable)				
4	Joints in the screed <i>see pages 24 + 28</i>			
	= Structural joints, existing joints, sound insulation joints (screed reductions, e.g. at door transitions, must be separated with the expansion joint profiles Schlüter-DILEX-DFP) Areas with moisture sensitive covering materials that adjoin ceramic coverings created with Schlüter-DITRA, -DITRA-DRAIN 4 or -DITRA-HEAT must be protected from permeating moisture.			
Observe architectural joint design				
5	Joints in the surface covering <i>see page 28</i>			
	in accordance with specifications of flooring manufacturer or other technical standards (use Schlüter-DILEX movement joint profiles)			
Observe architectural joint design				
6	Filling, flushing, and venting <i>see page 27 + page 113 – Attachment III</i>			
	Leak testing according to DIN EN 1264 (with report) (BS EN 1264) <i>see page 27 + page 114 – Attachment IV</i>			
If using flowing screed with Schlüter-BEKOTEC, use the matching BEKOTEC edge strips for the studded screed panels				
7	Installation of screed <i>see pages 26 – 27</i>			
	...and allocation of the matching system edge strips			
8	Installation notes for non-ceramic floor coverings <i>see pages 81 – 82</i>			
	Cure heating (with report) / CM-measurement <i>see pages 115 + 116 - Attachment V + VI</i>			
After CM measurement by installer of surface covering (observe specifications and guidelines of flooring and adhesive manufacturer). Start: 7 days after completion of the screed at the earliest. Start at 25 °C, and increase the supply temperature by < 5 °C every day to a maximum of 35 °C.				
9	Installation of the surface covering <i>see pages 81 – 82</i>			
	...without uncoupling mat directly on the cured screed once the residual moisture level has been reached.			
Observe manufacturer guidelines				



Ceramic thermal comfort floor - application and properties



Application areas

The ceramic thermal comfort floor Schlüter-BEKOTEC-THERM is an easily assembled, safe system with low construction height and short installation times for new buildings, renovation projects, exhibition halls, bathrooms and swimming pool surrounds, etc.

As a result, the application areas of the ceramic thermal comfort floor BEKOTEC-THERM are especially versatile. The construction advantages and thermal technology benefits of the system can be used in customised applications in the following areas:

New construction

The quick installation of the entire ceramic thermal comfort floor system saves time and cost. This is made possible by installing the uncoupling mats Schlüter-DITRA, DITRA-HEAT or DITRA-DRAIN 4 in conjunction with ceramic tile or natural stone coverings as soon as the screed is ready to bear weight. The system does not require any functional heating or curing after interface assembly, as is customary with conventional heated floor constructions.

Due to the low screed mass, the ceramic thermal comfort floor has heating and cooling properties that respond quickly to thermostat adjustments.

The effective heating performance and low supply temperature of the ceramic thermal comfort floor in addition to conventional heating systems allows for the use of modern heating technology and regenerative energies, such as heat pumps and solar heating systems. The ceramic thermal comfort floor even allows for passive cooling in the summer. The low construction height of Schlüter-BEKOTEC-THERM enables compliance with low construction height specifications.

This means:

- Additional depth available for installing insulation materials to comply with **mandated insulation values** or
- **Improved insulation values** by installing additional insulation materials.

Renovations

Conventional floor heating systems with screed coverings of at least 45 mm over the heating pipes can weigh 130 kg/m² or more. For renovation projects, the following are essential: low weight (static concerns) and low assembly height. For this reason, the installation of the Schlüter-BEKOTEC-THERM ceramic thermal comfort floor is feasible even when a conventional heated floor system has to be ruled out. Even lower assembly heights from 20 mm to the top edge of the screed can be achieved with the studded screen panel Schlüter-BEKOTEC-EN 12 FK.

For the BEKOTEC-EN 12 FK system with a screed cover of 8 mm, the volume weight to be considered is just 40 kg/m² (see table on page 28).

If sound insulation is required, the studded screed panel Schlüter-BEKOTEC-EN 18 FTS with its integrated sound insulation layer is a potential solution.

Sales areas and car showrooms

The load bearing capacities of the thin Schlüter-BEKOTEC-THERM ceramic thermal comfort floor has proven its lasting value in many large scale reference projects. The regular patterns of the BEKOTEC studded panel evenly reduce tensions in the screed, which allows for constructing the screed without joints. The free arrangement of movement joints in the joint pattern of the ceramic covering, therefore, allows for a great variety of design options.

Wet areas

Schlüter-DITRA, DITRA-HEAT and -KERDI are certified bonded waterproofing assemblies for wet areas of classes 0 – B0 in accordance with the ZDB information and for the load classes A1, A2 and C in areas requiring German construction permits. Consequently, these systems are particularly suitable for use in bathrooms, swimming pools and other areas with high moisture loads (see product data sheets 6.1, 6.4 and 8.1). The systems are also ideal for the safe and quick installation of barrier-free bathrooms with level shower cubicles (see product data sheets 8.2 and 8.6; point drainage or 8.7 and 8.8; linear drainage).



Saving energy with Schlüter®-BEKOTEC-THERM

Thermal properties - scientific study

Schlüter-BEKOTEC-THERM – considerable savings potential

The renowned Dresden Institute for Building Systems Engineering Research (ITG) compared the thin layer floor heating system BEKOTEC-THERM with a conventional radiant floor heating as a wet system as part of a research project. The assembly of the two systems was performed in accordance with the customary instructions and standards of the manufacturers. The results revealed remarkable energy differences between the conventional floor heating system and BEKOTEC-THERM. Thus, energy savings from the use of a heat pump as the source of heat, were up to **9.5%**.

The systems were tested with a simulation program of Dresden Technical University, which specifies the same framework conditions for both assemblies. The base situation was a single family home with a living space of 160 m², parallel buffer storage and an air source heat pump as the source of heat. The study incorporated three different thermal insulation levels for the homes, namely the Thermal Insulation Ordinance (WSVO) in the versions of 1982 and 1995 as well as the Energy Savings Ordinance (EnEV) of 2004. Finally, the study also distinguished two different operating modes of the floor heating systems (lowering phase): The heating system was operated continuously or intermittently (time controlled). Additionally, the operation was simulated over the course of the day.



Institute for Building Systems Engineering Research
Forschung und Anwendung GmbH

Prof. Oschatz - Dr. Hartmann - Dr. Werdin - Prof. Felsmann

Practical Variant Analyses on the Ceramic Thermal Comfort Floor BEKOTEC-THERM

Commissioned by: Schlüter Systems KG
Technical Dept.
Herr Karl-Friedrich Westerhoff
Schmölestraße 7
58640 Iserlohn

Contractor: ITG Institut für Technischen Gebäudeausrüstung Dresden
Forschung und Anwendung GmbH
Bayreuther Straße 29 in 01187 Dresden

Study performed by: Dr.-Ing. habil. J. Seifert
Dipl.-Ing. Andrea Meinzenbach
Dr.-Ing. A. Perschk
Dr.-Ing. M. Knorr
Prof. Dr.-Ing. B. Oschatz

Dresden, 26.11.2012



iTG

Institute for Building Systems Engineering Research



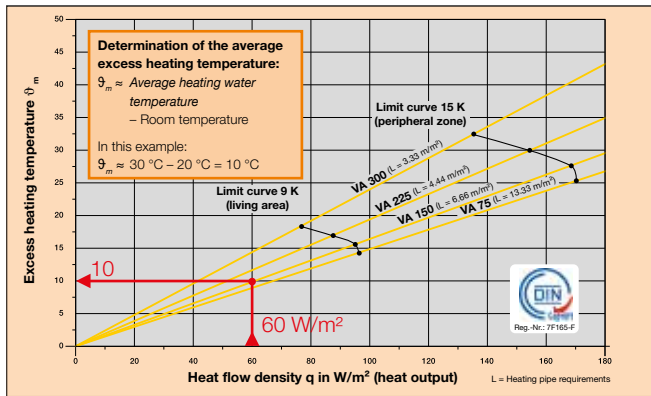
Ceramic thermal comfort floor - application and properties



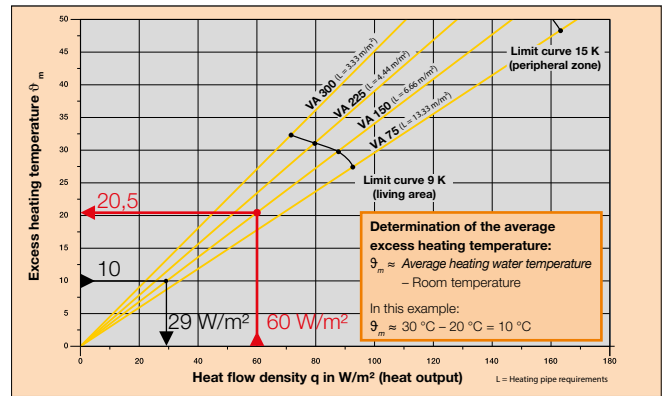
The construction advantages and the cooling and heating benefits of Schlüter-BEKOTEC-THERM are most pronounced in conjunction with ceramic tile and natural stone coverings. A mean heating water temperature of 30 °C is sufficient for the ceramic thermal comfort floor in most well insulated buildings. In addition to conventional heating systems, the ceramic thermal comfort floor can therefore be effectively operated with state-of-the-art heating technology such as condensing boilers and regenerative sources of energy, such as heat pumps and solar systems. The performance comparison shown below clearly highlights the thermal advantages of the ceramic thermal comfort floor.

Practical performance comparison of ceramic coverings and thick carpeting/parquet

Ceramic Tile/Stone floor coverings



Thick carpet/parquet ($R_{\lambda, \max} = 0.15 \text{ m}^2 \cdot \text{K/W}$)



The exact performance data from the thermal test of the system are allocated to the corresponding system.

i

Conclusion

This sample calculation shows that carpet and hardwood floors reduce the heating performance by 50% compared to a ceramic thermal comfort floor because of their unfavourable thermal resistance factors.

Ceramic thermal comfort floor Schlüter®-BEKOTEC-THERM

Example: Schlüter-BEKOTEC-EN P or PF with heating pipe Ø 16 mm

A heat output of 60 W/m² was assumed for a room temperature of 20 °C. The heating pipe installation spacing (VA) was 150 mm.

Moving vertically up to the intersection of the output line of the installation spacing VA 150 with the desired output of 60 W/m², the left scale shows the corresponding excess heating temperature for the ceramic thermal comfort floor as 10 °C.

This excess heating temperature means that the heating water on average has to be 10 °C warmer than the desired room temperature to stay at the output level of 60 W/m². The average heating water temperature is calculated as follows:

10 °C excess heating water temperature (θ_m) + 20 °C room temperature = **30 °C average heating water temperature.**

Schlüter-BEKOTEC-THERM and carpet ($R_{\lambda, \max} = 0.15 \text{ m}^2 \text{ K/W}$)

Under the same conditions, an average heating water temperature of 40.5 °C is required for an output of 60 W/m² when carpet is used with a thermal resistance of $R_{\lambda, \max} = 0.15 \text{ m}^2 \text{ K/W}$. This is the equivalent of an excess heating temperature of about 20.5 °C in the diagram.

If the average heating water temperature is left at 30 °C, the heat output falls to approx. 29 W/m².

Ceramic thermal comfort floor - application and properties

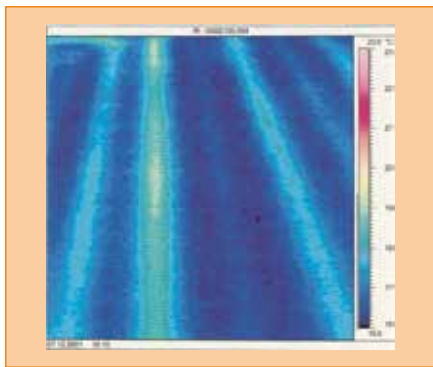


Heat distribution function

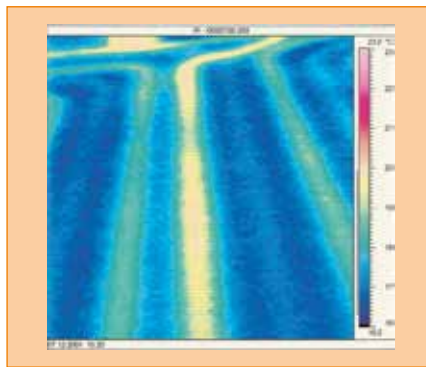
The fast heating of the system with low screed coverage highlights the excellent thermal conductivity of ceramic coverings. This was documented by a thermal technology test conducted by the independent Laboratory for Process Technology at Darmstadt University. The heat radiation and convection processes in the interconnected air channels of Schlüter-DITRA provide additional heat distribution and ensure an even surface temperature.

The low screed coverage achieves maximum heating performance with low supply temperatures (*see also performance diagrams on pages 83 to 99*).

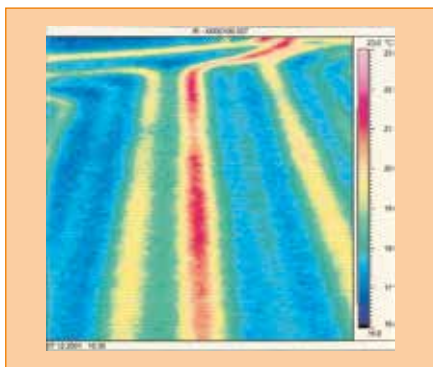
Thermographic analysis of heating response and heat distribution with Schlüter®-DITRA



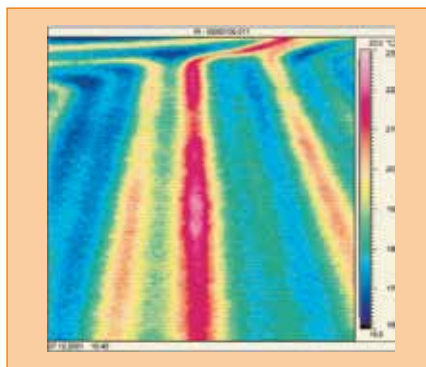
1 Start of heating phase with a surface temperature of 16 °C. The picture was taken after 10 minutes of system operation. Average surface temperature above the heating pipe: 18.5 °C.



2 The picture was taken after 20 minutes of operation. Average surface temperature above the heating pipe: 19.5 °C. The heat distribution within the uncoupling mat Schlüter-DITRA shows first temperature increases between the heating pipes.



3 The picture was taken after 30 minutes of operation. Average surface temperature above the heating pipe: 21 °C. The heat distribution within the uncoupling mat Schlüter-DITRA shows a clear temperature increase between the heating pipes.



4 The picture was taken after 40 minutes of operation. Average surface temperature above the heating pipe: 22.5 °C. The heat distribution within the uncoupling mat Schlüter-DITRA provides an even surface temperature and low heat fluctuations.

i

Summary

- Very little temperature fluctuation between the heating pipes
- Quick combination of surface temperatures between the heating pipes
- The requirements of the German Buildings Energy Act (GEG) for fast reacting systems are met.
- The ceramic thermal comfort floor is fast and easy to regulate, leading to energy efficient control



Ceramic thermal comfort floor – application and properties



Regenerative sources of energy and modern energy technologies

Modern energy generators for heating and cooling buildings allow for an economic use of fossil fuels and the use of regenerative energy sources (such as geothermal energy). The potential of the energy and cost savings, with the associated reduction in CO₂ emissions, can be maximised when the system temperature of a heating system is as low as technically feasible. Additionally, the corresponding control technology must be adapted to these conditions to avoid supply losses and unnecessary room temperature fluctuations.

The Schlüter-BEKOTEC-THERM ceramic thermal comfort floor features low system temperatures and is ideally suited for utilising geothermal energy (heat pumps), solar energy, and condensing boiler technology.

i

Guiding principle for using geothermal heat, solar energy, and condensing boiler technology

All of these systems have one factor in common: the lower the system temperature for covering the required heating load, the more efficient the use of the energy.

Heat pumps and Schlüter-BEKOTEC-THERM

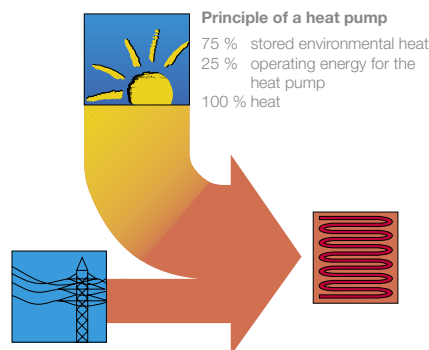
Energy is available in large quantities in the air, the groundwater and the soil. By using a negligible amount of electric energy to operate the heat pump, the temperature can be increased to reach sufficient system temperatures. The larger the temperature difference between the heat source (air, soil or groundwater) and the intended system temperature, the more energy is required for operating the heat pump.

It follows from this principle that the effectiveness (output factor) of a heat pump increases when the temperature difference between the heat source (environment) and the heating system decreases. The output factor is the ratio of utilised power and generated heat.

The low supply temperatures of the BEKOTEC ceramic thermal comfort floor have the following advantages:

- Reduced use of energy (electric power) to operate the heat pump
- Improved output factor, and consequently, larger energy utilisation over the entire heating period
- Faster pay back

The Schlüter-BEKOTEC-THERM ceramic thermal comfort floor improves the energy utilisation of heat pumps.



Source: Bundesverband Wärme Pumpe (BWP) e. V

Ceramic thermal comfort floor – application and properties

 Regenerative sources of energy and modern energy technologies

Cooling with heat pumps and Schlüter-BEKOTEC-THERM

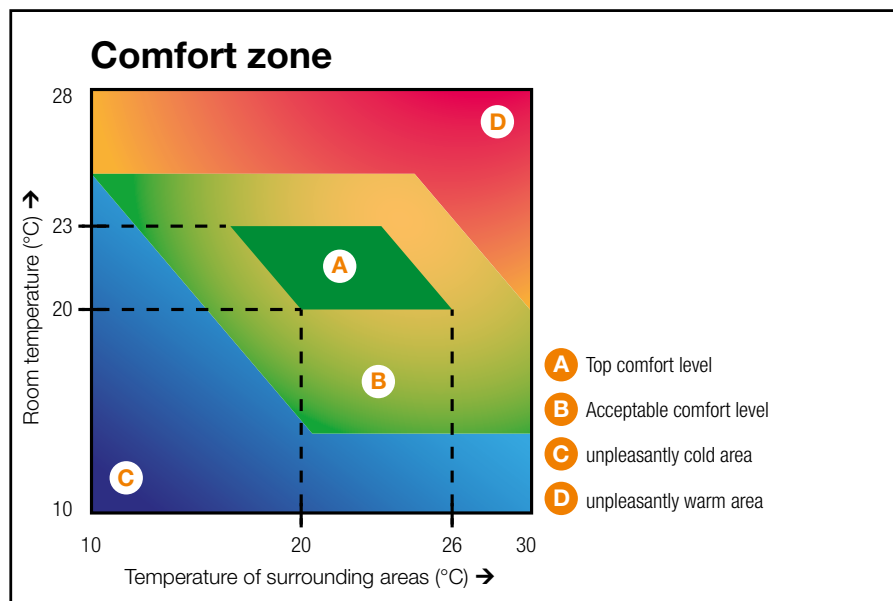
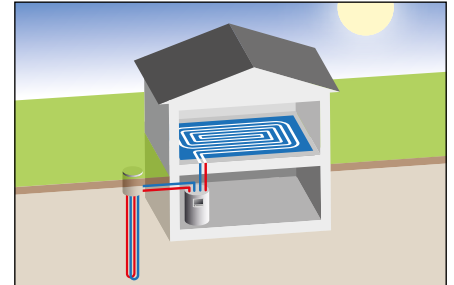
Cooling technology keeps gaining importance, especially in the summer months. Heating systems with heat pumps commonly offer an easily accessible cooling function that is particularly economical and energy efficient. Such systems require a floor heating system that absorbs the heat. A distinction is made between active and passive cooling.

Passive cooling function in systems with heat pumps

A passive cooling system uses heat pumps with ground collectors or bore holes (also called natural cooling). This is made possible by the fact that the ground temperature is much lower than the temperature of living spaces in the summer. With passive cooling, the heat pump operates in cooling mode with the compressor turned off. Many systems include a corresponding bypass valve in their cooling circuit. Based on the recirculation of the heating medium, the heat in the living space is absorbed by the quick reacting Schlüter-BEKOTEC-THERM floor heating system and transferred into the cooler ground. In this manner, a floor heating system can be used efficiently and without high energy consumption for environmentally friendly cooling. The process also leads to slight warming of the soil, which increases the efficiency of the heat pump in heating mode.

The system can be controlled with a thermostat that has a cooling function.

Passive cooling creates pleasant indoor temperatures during the summer months. Although the cooling performance does not compare to conventional air conditioning units, it reduces room temperatures sufficiently to generate comfortable indoor conditions. The below diagram shows that shifting the ambient temperature and the temperature of surrounding surfaces (such as the floor) by just a few degrees Celsius can make a big difference in perceived comfort.



Active cooling function in systems with heat pumps

In the case of active cooling, for instance with air-water heat pumps, the cooling performance of the heat pump is transferred to the heating system. Since the heat pump compressor is turned on, the heat pump is “active”. That means the power consumption is higher than with passive cooling. Depending on the heat pump, active cooling can achieve greater cooling performance. Further performance diagrams can be found on *page 100*.

Notes



Schlüter-BEKOTEC-THERM floor heating systems are ideally suited for heating and cooling because their thin layer screed assemblies are highly responsive. That also allows for a quick switch to heating after a cooling period.



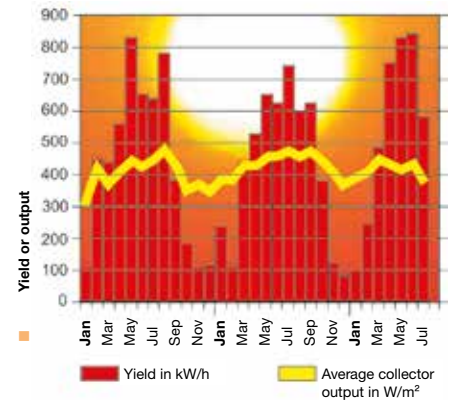
Solar technology and Schlüter-BEKOTEC-THERM

The energy effectiveness of solar systems that are integrated into heating systems increases with every degree the system temperature can be lowered. On sunny days, a properly designed solar system can cover or support the heating system.

The Schlüter-BEKOTEC-THERM ceramic thermal comfort floor improves the energy utilisation of solar systems.

Consequence:

- Lower supply temperatures can be used to heat floor areas.
- The energy effectiveness increases. This leads to a higher energy usage factor over the entire heating period.
- The payback period of the system is shorter.



Output/yield in 2 heating periods

Condensed boiler technology and Schlüter-BEKOTEC-THERM

The increase of energetic efficiency in these devices relies on the utilisation of latent heat contained in the water vapour of smoke gas (energy gain by partial condensation). The water vapour is the result of burning natural gas and oil. With the use of conventional low temperature heating boilers, the heat contained in emissions gas typically is released to the environment, together with water vapour. Condensed boiler technology is able to condense the water vapour of the emissions flow in a heat exchanger and derive additional heating energy even after the combustion process. This effect can only be utilised efficiently with low return temperatures.

The Schlüter-BEKOTEC-THERM ceramic thermal comfort floor improves the energy utilisation of condensed boilers with low system temperatures.

Conclusion: Schlüter-BEKOTEC-THERM, the ceramic thermal comfort floor

Value retention and value creation in property increasingly takes energy factors into account. Those who decide in favour of a ceramic thermal comfort floor today not only have significant advantages in comfort, but also invest in a pioneering energy distribution system that is ideal for utilising and even for retrofitting regenerative energy systems.

Considering the steady rise in energy cost and the declining cost of solar systems and heat pumps, subsequent retrofitting only requires finding a suitable energy distribution system.

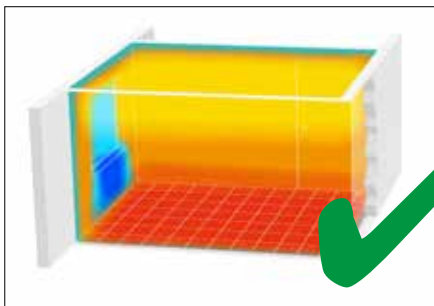


Ceramic thermal comfort floor - application and properties

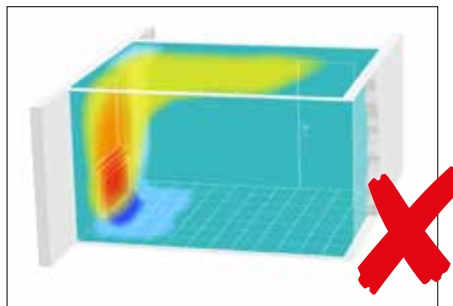
Advantages for users

A step ahead in thermal comfort

The Schlüter-BEKOTEC-THERM ceramic thermal comfort floor system sets new standards for comfortable indoor temperatures. The heating advantages of the system provide higher quality of living in every room. Due to the large scale, unobtrusive heat transfer with low system temperatures in conjunction with quick control responses of the system, the entire house offers a previously unknown level of comfort. The perceived room temperature is significantly higher. As a consequence, the actual room temperature can be lowered by approx. 1-2 °C without any change in comfort. This in turn leads to lower energy needs and reduces heating costs.



Ceramic thermal comfort floor with *even* heat distribution



Radiator heating system with *uneven* heat distribution

Better hygiene and health

The high share of radiated heat in floor heating systems reduces air movement, and consequently is associated with less dust. Additionally, the heat removes moisture from the warm surfaces and makes it more difficult for bacteria and mould to survive.

The healthcare system discovered the advantages of floor heating systems long ago. Treatment rooms, operating rooms and sanitary rooms are increasingly equipped with floor heating systems, which are easy to keep sterile.

Higher safety with dry ceramic coverings in bathrooms and indoor swimming pools

Cleaning measures or moisture caused by space utilisation reduces the anti-slip properties of ceramic coverings.

However, when these areas are heated with a ceramic thermal comfort floor system, they dry quickly. This prevents a possible slip hazard.

Design without limits

Clear room design without the intrusion of heating elements, for example along walls or under windows, opens up a large spectrum of design options. There are no limits to using and designing living, working, and showroom areas.



Ceramic thermal comfort floor - application and properties

Non buckling, thin layer covering assembly

Schlüter-BEKOTEC systems are reliable bonded assemblies for crack-free and functionally safe floating and heated screeds with ceramic or natural stone coverings, although BEKOTEC screeds are also suitable for other covering materials.

These systems are based on studded screed panels that are directly installed on top of load bearing substrates or thermal and/or sound insulation panels. The geometry of the studded screed panels results in a minimum BEKOTEC thickness of 20 to 44 mm. The stud spacing allows for clamping the heating pipes of the system in a 50-mm (BEKOTEC-EN 12 FK and BEKOTEC-EN 18 FTS) or 75-mm grid (BEKOTEC-EN/P or -EN/PF and BEKOTEC-EN 23 F) to create heated screeds.

The studded screed panel BEKOTEC-EN 12 FK must be directly adhered on the load bearing substrate, while the studded screed panel BEKOTEC-EN 18 FTS features a 5 mm sound insulation layer on the underside and is directly adhered on the load bearing substrate. The studded screed panels BEKOTEC-EN/P or -EN/PF and BEKOTEC-EN 23 F are loosely installed over the load bearing substrate or suitable insulation.

Since only a comparably small amount of suitable screed has to be heated or cooled, the heated floor system is easily adjustable and can be operated at low temperatures. The studded pattern helps reduce the tension that occurs in the curing screed and ensures that the screed does not curl as a result of shearing tension. It is therefore not necessary to install joints in the screed. The uncoupling mats Schlüter-DITRA, DITRA-HEAT or DITRA-DRAIN 4 can be installed as soon as the screed is ready to bear weight (gypsum-based screeds should have a residual moisture level < 2%) The ceramic tiles or natural stone pavers are then installed directly over this layer, using the thin-bed method.

Movement joints in the covering layer have to be created with Schlüter-DILEX in the customary spacing. Cover materials that are not susceptible to cracking, such as parquet, vinyl, laminate or carpeting can be directly installed over the screed as soon as it reaches the corresponding residual moisture level.



Please note the requirements for insulation and joint design listed on pages 23-28.



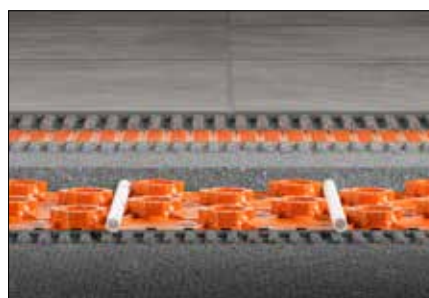
Schlüter®-BEKOTEC-EN/PF (-EN/P)



Schlüter®-BEKOTEC-EN 23 F



Schlüter®-BEKOTEC-EN 18 FTS with pre-adhered sound insulation



Installation of Schlüter®-BEKOTEC-EN 12 FK

Ceramic thermal comfort floor - application and properties

Traffic loads

Car dealerships, exhibition halls and lobbies with higher traffic loads

The load bearing capacities of the thin layer Schlüter-BEKOTEC-THERM ceramic thermal comfort floor has proven its lasting value in many large scale sales and exhibition spaces, and particularly in car dealerships.

For this application, the screed cover should be increased to 15 mm if applicable. In principle, the design depends on the load transfer of the substructure. When selecting ceramic floor coverings for the anticipated stresses, determine the material thickness with the help of the information sheet "Coverings with high traffic loads".

Impact resistant DEO insulation is presumed as substructure insulation for the use of our system panels Schlüter-BEKOTEC-EN/P, -EN/PF or -EN 23 F. These must be selected by the architect.

In principle, the design depends partially on the load transfer of the substructure.

i

Note:

Higher traffic loads may be approved as part of a special agreement if applicable. For this purpose, we need to know the exact structure of the floor assembly with heights and additional insulation taken into account, including the corresponding designations or labels.

Our Technical Department will be pleased to assist you.





Ceramic thermal comfort floor - application and properties



Traffic loads

Schlüter®-BEKOTEC-THERM					
Application areas with screed coverage, depending on traffic loads and surface coverings					
	Max. traffic load Q _k according to DIN EN 1991	Max. single load* Q _k according to DIN EN 1991	Recommended min. system coverage with conventional screeds *	Usage category/ application areas according to DIN EN 1991 (BS EN 1991)	Max. system coverage with conventional screeds **
BEKOTEC-THERM System			EN / EN F EN FTS EN FK		EN / EN F EN FT S EN FK
Floor covering					
Ceramic tile/natural stone	5.0 kN/m ²	3.5 - 7.0 kN	8 mm	to C3 e.g. exhibition spaces, access areas in public and administrative buildings, hotels, hospitals, train stations	25 mm 20 mm 15 mm
Soft coverings: PVC, vinyl, linoleum, carpet, cork	2 kN/m ²	2.0 - 3.0 kN	15 mm	A Private residences, nursing wards and patient rooms in hospitals, hotel and hostel rooms	25 mm 20 mm 15 mm
Adhered parquet without tongue and groove connection	5.0 kN/m ²	3.5 - 7.0 kN	15 mm	to C3 e.g. exhibition spaces, access areas in public and administrative buildings, hotels, hospitals, train stations	25 mm 20 mm 15 mm
Adhered parquet with tongue and groove connection	5.0 kN/m ²	3.5 - 7.0 kN	8 mm	to C3 e.g. exhibition spaces, access areas in public and administrative buildings, hotels, hospitals, train stations	25 mm 20 mm 15 mm
Floating parquet, laminate	2 kN/m ²	2.0 - 3.0 kN	8 mm	A Residential buildings, nursing stations and patient rooms in hospitals, hotel and hostel rooms	25 mm 20 mm 15 mm

* The contact area of individual loads must be adapted to the BEKOTEC structure with surface covering and to the static prerequisite of the ceiling structure.

** For height adjustment purposes and levelling in some areas, the thickness of the screed may be increased to the specified maximum value over the studs. However, the overall height of the screed over the studs should be within the minimum coverage of **8 or 15 mm**. Screeds to be used: CT, CA, CTF, CAF (See notes on page 27)

Note:

The uncoupling mats Schlüter-DITRA, -DITRA-DRAIN 4 or -DITRA-HEAT-MA must be used for the installation of ceramic tile and natural stone coverings. The height of the mats from approx. 5 mm to 8 mm must be considered in the assembly calculations. All other covering materials listed in the table are directly installed over the BEKOTEC screed without uncoupling mats. Keep in mind the installation height and final height of the corresponding DITRA mat when calculating the height of the screed with regard to **adjoining areas** with tile coverings. A screed coverage of 15 mm is specified for thin floor coverings such as vinyl, PVC, linoleum and carpet.

In addition to the applicable installation guidelines, note the permissible residual moisture content of the screed for the selected covering material. For further information, please see pages 23 and 80.

Prerequisites and implementation

Installation notes, general requirements



Colour code guide, see page 5

The Schlüter-BEKOTEC-THERM ceramic thermal comfort floor is an area heating system that differs substantially from conventional heated floor systems.

To mark the special properties and installation notes for the BEKOTEC system, they are labelled with the information symbol shown to the left. Additionally, the BT HR symbol system marks the allocation of technical statements and information.

Construction requirements

For the installation of a Schlüter-BEKOTEC-THERM ceramic thermal comfort floor, the windows of the building must be fully installed and closed and all openings have to be at least temporarily closed. The interior walls must be finished. The impact of frost must be prevented with suitable measures. The height measurements must be clearly marked in all rooms and must match the planned floor assemblies.

Protection from floor moisture and non-pressurised water

Construction engineers must select a waterproofing barrier against non-pressurised water and floor moisture (capillary moisture). This is especially important for floor areas that are in direct contact with the soil.

Preparing the substrate

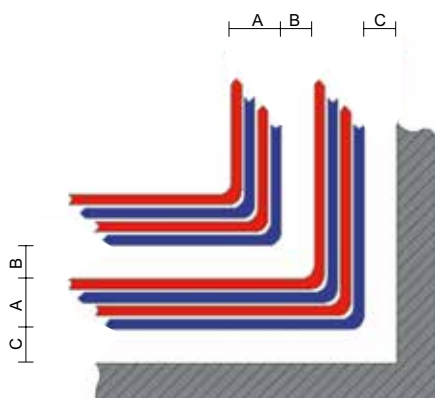
The load bearing substrate must meet the static requirements for supporting the floor construction and the intended traffic load (DIN/BS EN 1991). According to DIN 18560 2, Section 4, the load bearing substrate must be sufficiently dry to support the construction system and have a level surface according to the measurement tolerances in buildings (DIN 18 202). This includes humps and hollows, point shaped high spots and mortar residue. The required floor slope and levelling measures must evenly distribute the load on the substrate and must be dimensioned in such a way that the screed can be applied in an even thickness.



When planning cable routes, the following dimensions from the information sheet "Pipes, cables, and cable routes on concrete bases" must be observed:

- A:** Routing width of parallel lines, including pipe insulation: **max. 300 mm**
- B:** Fully load bearing width between the routes **min. 200 mm**
- C:** Distance between walls and upright construction elements **min. 200 mm**

Note: Minimum distance from door frames: 150 mm



Pipes, cables and cable routes on the structural concrete base

Unfortunately, pipes and cables on concrete bases are a frequent occurrence at construction sites. This should be avoided with proper planning. If pipes are installed on the load bearing substrates, suitable levelling measures must be taken to create a level, load bearing installation area.

Note:

The information sheet "Pipes, cables and cable routes on concrete bases", issued by the Central Association of German Construction Trade Professionals, contains important information and further planning suggestions.

The available methods include levelling mortar and screed, pressure resistant heat insulation or adding bound fill, such as Thermowhite, that is approved for use under screeds and capable of absorbing the required loads.

Note: As a general rule, loose fill may not be used for levelling purposes under floating screed constructions.

If it cannot be avoided, pipes and cables may be installed on the concrete base, but must be installed as straight as possible, without intersections, and must be parallel to the rising walls.

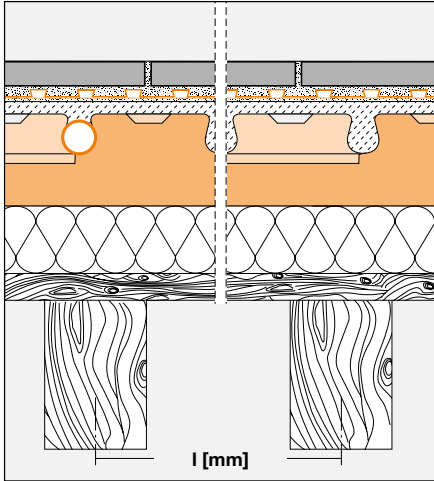


The studded screed panels EN 12 FK and EN 18 FTS are installed only on fully load bearing substrates, not insulation layers.



Prerequisites and implementation

Preparing the substrate



The studded screed panels EN 12 FK and EN 18 FTS are installed exclusively on fully load bearing substrates – not over insulation layers.

Schlüter-BEKOTEC-THERM over wooden floor assemblies

Special preparatory work may be necessary for installing a BEKOTEC-THERM system over a wooden floor assembly. The wooden floorboards or plywood panels must be firmly screwed to the substructure to completely rule out any flexing of the elements at the abutting joints of the floorboards or panels. The entire structure must be sufficiently load bearing to guarantee low vibration use. The maximum deflection may not exceed $l/300$. This deflection refers to the distances of the supports/beams and to entire support span of the ceiling.

Example: Beam spacing: 750 mm

$750 \text{ mm} / 300 = 2.5 \text{ mm max. deflection between beams (joists)}$

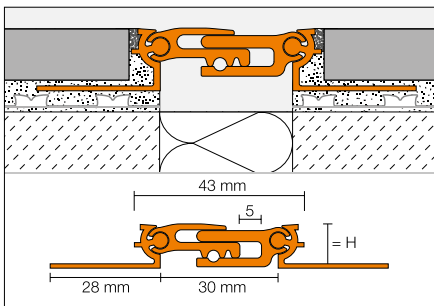
Ceiling support span: 3000 mm

$3000 \text{ mm} / 300 = 10 \text{ mm max. deflection over a ceiling support span of 3 meters.}$

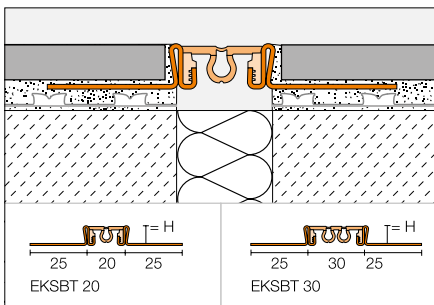
Movement joints in the load bearing substrate

Structural joints in the load bearing substrates may not be covered by heating elements. These joints must be continued to the floor covering.

The following Schlüter system components are available for establishing joints in the surface covering:



Schlüter-DILEX-BT is a structural expansion joint made of aluminium, with opposing support profiles that connect to a sliding telescopic centre section. This allows for the absorption of three-dimensional movement (see product data sheet 4.20).



Schlüter-DILEX-KSBT is a structural movement profile with edge protection. The profile's anchoring legs, made of, aluminium, or stainless steel, are connected to a 20 mm or 30 mm wide movement zone made of soft synthetic rubber (see product data sheet 4.19).

Prerequisites and implementation



Requirements for additional heat and sound insulation



Installation of heat and sound insulation on a sufficiently load bearing and level substrate

The minimum insulation requirements and thicknesses must be determined according to DIN-EN 1264 (BS-EN 1264), "Hot water underfloor heating systems," DIN 4108-10, "Thermal insulation and energy economy in buildings - Application related requirements for thermal insulation materials," DIN 4109, "Noise control in buildings," as well as the applicable regulations according to the Buildings Energy Act (GEG). In the case of dual layer insulation, the joints must be staggered. The insulation layer must have full contact with the substrate. Hollow spots must be eliminated with suitable measures.

Labelling of approved insulation materials:

DEO - insulation below screeds **without** sound insulation requirements

DES - insulation below screeds **with** sound insulation requirements

Note for Schlüter-BEKOTEC-THERM:

Only **one layer** of sound insulation is permissible, with a maximum compressibility CP3 (≤ 3 mm) (Not permissible for EN 12 FK and EN 18 FTS).

If both sound insulation and heat insulation panels are used, the insulation material with the lower compressibility factor should be on top. If the lower heat insulation layer is used, against the advice of standard regulations, to offset the height of installed pipes, the sound insulation must be on top in a consistent area.

The compressive strength of the entire structure may not exceed a value of 3 mm.

Tip: Impact sound and refurbishment

If the construction height does not allow for using polystyrene or mineral fibre insulation, the Schlüter-BEKOTEC-BTS sound insulation membrane (thickness: 5 mm) can achieve significantly improved spacing sound insulation in conjunction with ceiling construction (not permissible with EN 12 FK and EN 18 FTS).



Schlüter®-BEKOTEC-BTS
(max. traffic load: 2 kN/m²)

For further information about Schlüter-BEKOTEC-THERM with drawings of insulation materials, please refer to pages 31 to 36.



Separating layer



Installation of separating layer

If using flowing screed, we recommend the installation of a PE protective foil (minimum thickness: 0.15 mm) on top of the insulation layer or bound fill with overlaps of 8 cm prior to installing the Schlüter-BEKOTEC-EN 23 F or -EN/PF studded screed panel. This prevents the flowing screed from seeping behind the BEKOTEC panels.



The studded screed panels EN 12 FK and EN 18 FTS are installed exclusively on fully load bearing substrates - not over insulation or separating layers.



Prerequisites and implementation

Edge strips and edge joints












Sample installation of the edge strip BRS 810 or BRSK 810 with integrated foil leg

Edge strips are used to form the edge joints in order to provide the movement accommodation required according to DIN 18560. Edge joints are movement joints that delimit the screed along walls and floor penetrating construction elements, such as columns. They reduce impact sound transmission and absorb the expansion changes of the floor assembly caused by thermal factors. Additionally, they prevent tensions in the screed and in the surface covering. Edge joints must not be filled.

Note:

Make sure that no amount of tile adhesive, levelling compound, or grout can get into the edge joints. The edge profile joints Schlüter-DILEX-EK (see below) are ideally suited for this purpose.


The edge strips must be installed prior to fitting the Schlüter-BEKOTEC studded screed panels. The strip must run continuously along all rising construction elements and be secured from moving. Ensure the area is free from debris and dust which may prevent the correct positioning and fixing of the edge strip.

Schlüter®-BEKOTEC-THERM Allocation of the matching system edge strips						
						
		EN/*P	EN/PF	EN 23 F	EN 18 FTS	EN 12 FK
	BRS 810 for traditional semi-dry screeds only	X				
	BRSK 810 for traditional semi-dry screeds only	X				
	BRS 808 KF for traditional semi-dry screeds and flowing screeds	X	X			
	BRS 808 KSF for traditional semi-dry screeds and flowing screeds	X	X	X	X	X

* for traditional semi-dry screeds and flowing screeds only



Schlüter®-DILEX-EK

Depending on the final surface covering, the edge strip is cut off at the end of the floor installation work or prior to the installation of the flexible Schlüter-DILEX-EK or -RF edge joint profiles. 

Schlüter-Systems offers a wide variety of Schlüter-DILEX profiles for creating maintenance free and safe edge and movement joints at the transition of floor and wall or skirting tiles.

For more information, see product data sheet 4.14, Schlüter-DILEX-EK/-EF.

Prerequisites and implementation

○ ○ ○ ○ Joints in the Schlüter®-BEKOTEC system

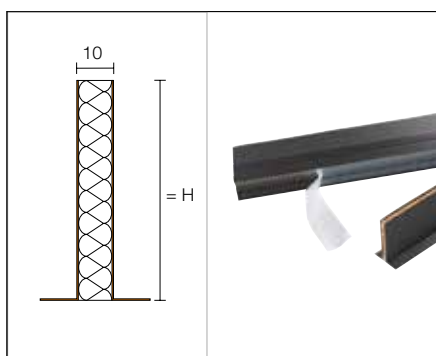


Regardless of the floor covering, conventional screeds must be divided into fields of specific sizes with movement joints. This labour intensive division of screed fields and the associated need to coordinate with other tradesmen is not necessary when building a Schlüter-BEKOTEC system.

Any contraction occurring while the screed cures is absorbed by the studded pattern of the BEKOTEC studded panels. As a consequence, a BEKOTEC screed is not subject to contraction buckling over its entire area, making it unnecessary to install joints in the screed.

If any joints (e.g. a daywork joint) in the screed result from necessary work interruptions, these must be protected against height discrepancies, covered with resin, or turned into an expansion joint in the covering.

i



Schlüter®-DILEX-DFP

Exceptions

- See page 24: Movement joints in the load bearing substrate.
- To avoid sound bridges and in the case of height differences in the substrate, the screed should be separated, for example, at door transitions.

We recommend the use of Schlüter-DILEX-DFP expansion joint profiles for door transition areas (a height offset mechanism may need to be installed if applicable). Thanks to the bilateral coating and the self-adhesive strip, straight line installation is very easy.

If no impact sound insulation is required, only a joint under the door area is recommended. This joint must be continued into the covering as a movement joint.

Prerequisites and implementation

○ ○ ○ ○ Installing cement and gypsum-based screeds



Prior to installing the screed, the seal of the heating system must be tested under pressure. However, the system may not be heated during the installation and curing process of the screed.

For further information on filling and venting and a pressure test report, please refer to the Appendix.

If the screed's residual moisture is to be measured, set up the respective measuring points in the screed (see page 74). As part of the screed installation, fresh cement screed of screed quality **CT-C25-F4, max. F5** or gypsum based screed **CA-C25-F4, max. F5** is installed with a minimum screed cover of 8 mm over the studded panels (recommended aggregate size 0-4 mm). Please contact our Technical Department to discuss differing screed properties for specific building projects in advance. The flexural strength of the screed may not exceed F5. Flowing screeds of type **CAF/CTF** with the corresponding specification may also be used. Please refer to the systems approved for this application.

For height adjustment purposes and levelling in some areas, the thickness of the screed may be increased to the specified maximum value over the studs. However, the overall height of the screed over the studs should be within the minimum coverage of 8 or 15 mm (see table "Traffic loads," page 22).

The screed quality must follow the specifications of DIN EN 13 813 (BS EN 13 813). The applicable installation instructions must be observed. The heating pipes must be carefully embedded in the screed mortar.



Screeds for BEKOTEC systems

The most important abbreviations for screeds used with BEKOTEC systems are:

Screed types

- **CT** Cement screed
- **CA** Gypsum based screed (Anhydrite screed)
- **CTF** flowing cement screed
- **CAF** flowing gypsum-based screed

Screed properties

- **C** Compression, e.g. C25 means pressure impact resistance of 25 N/mm²
- **F** Flexural strength, e.g. F4 has a flexural strength of 4 N/mm²

Schlüter®-BEKOTEC-THERM screed volumes for a minimum coverage of 8 mm			
Studded panel	min. screed coverage mm	Area weight* kg/m ²	Screed volume* l/m ²
EN/P EN P/PF EN 23 F	8	57	28.5
EN 18 FTS	8	52	26
EN 12 FK	8	40	20

* For screed density of approx. 2000 kg/m³.

The following calculation basis applies for additional screed coverage > 8 mm to 15 mm: 1 mm/m² \triangleq 2 kg/m² \triangleq 1 l/m².



No reinforcement or screed additives

Any "non static reinforcement" of the screed or heated screed to be poured is neither required for the system nor permissible.

Similarly, additives or fibres that increase the flexural strength of the Schlüter-BEKOTEC screed are superfluous and not permissible.

In fact, the reinforcement with fibres and rebar mats or the use of additives to increase flexural strength may actually counter the modular reduction of tension in the screed that occurs in the stud patterns of the BEKOTEC studded panel.



Installing joints in the surface covering with the Schlüter®-DILEX product series



Example: Schlüter®-DILEX-BWS



Example: Schlüter®-DILEX-AKWS

Ceramic tile, natural or artificial stone coverings can be directly installed on top of the Schlüter-DITRA uncoupling mat, using the thin-bed method. The necessary joints in the ceramic covering can simply follow the joints of the tile pattern.

Above the uncoupling mats, the ceramic covering must be divided into fields with movement joints as specified by the applicable regulations.

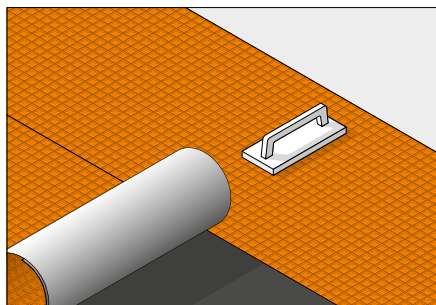
If the BEKOTEC screed includes movement joints, they must be continued in the same location in the covering. The design of movement joints should start at corners, e.g. at pillars and chimneys. If installing non ceramic surfaces, the applicable installation guidelines and manufacturer recommendations must be observed.

We recommend the movement joint profiles of the Schlüter-DILEX series for creating movement joints.

For more details about creating edge joints and connection joints, see page 26.

Additional system products for ceramic tiles and natural stone

Installing Schlüter uncoupling mats



Schlüter®-DITRA

Possible Schlüter-uncoupling mats in the system:

- Schlüter-DITRA (product data sheet 6.1)
- Schlüter-DITRA-DRAIN (product data sheet 6.2)
- Schlüter-DITRA-HEAT (product data sheet 6.4)

The uncoupling mat can be installed in accordance with the manufacturer's recommendations listed in the respective product data sheet as soon as the cement-based screed is ready to bear weight. In the case of gypsum-based screeds, the uncoupling mats are installed when a residual moisture level of < 2% has been reached.

Floor covering materials, such as parquet, vinyl or carpet, may be directly installed over the Schlüter-BEKOTEC screed **without** use of uncoupling mats as soon as the required residual moisture has been reached (see also *Residual Moisture* on page 82).

Depending on the thickness of non-ceramic coverings, it may be necessary to level the screed in order to avoid height discrepancies between the different coverings. The screed coverage may be increased to max. 25 mm for levelling (see table on page 18). In addition to the applicable installation guidelines, note the permissible residual moisture content of the screed for the selected covering material.

For further information about the surface covering, see page 80.

Additional products for wetrooms and bathrooms



The surfaces of areas such as public showers, swimming pool surrounds and barrier free bathrooms must be constructed as bonded waterproofing assemblies. The following products of Schlüter-Systems may be used as supplements:

- Schlüter-DITRA waterproofing and uncoupling mat, (product data sheet 6.1)
- Schlüter-DITRA-HEAT waterproofing and uncoupling mat (product data sheet 6.4)
- Schlüter-KERDI for waterproofing wall and floor areas (product data sheet 8.1)

These waterproofing membranes may be used in accordance with the DIN 18534 waterproofing standards applicable in Germany. Water exposure classes: W0-I to W3-I. They also feature the national technical approval (abP) required in Germany.

Moisture load class according to ZDB: 0 to B0, as well as A and C.



Schlüter-DITRA is a polyethylene membrane with cut back square indentations and an anchoring fleece laminated on the underside. In conjunction with tile coverings, DITRA provides waterproofing, vapour pressure equalisation for back side moisture and uncoupling. Joints and wall transitions are sealed with the seaming tape Schlüter-KERDI-KEBA, using the sealing adhesive Schlüter-KERDI-COLL-L.



Schlüter-DITRA-HEAT is a polyethylene membrane with a cut-back stud structure and an anchoring fleece laminated on the underside. It is a universal substrate for tile coverings, which serves as an uncoupling, bonded waterproofing, vapour pressure equalisation layer and is designed for the attachment of the matching heating cables for floor and wall heating systems. Joints and wall transitions are sealed with Schlüter-KERDI-KEBA, using the sealing adhesive Schlüter-KERDI-COLL-L.



Schlüter-KERDI is a polyethylene waterproofing membrane with fleece fabric laminated on both sides for anchoring in the tile adhesive. It is especially suitable for tiled waterproofing assemblies.

KERDI was developed for bonded waterproofing assemblies with coverings of tiles and pavers. The waterproofing membrane is adhered to a level substrate with a suitable tile adhesive. Tiles are then installed directly on KERDI, using the thin bed method.



Product service and planning materials



Our service

- **Technical consulting**
- **Calculation of material needs**
- **Calculation service**
- **Tender documents**
- **PLANCAL data record**
- **Download data record VDI**

Technical consulting

The qualified employees of our Technical Department will be pleased to assist you with any questions you may have concerning the system assembly and the corresponding heating and control technology.

Heat requirement calculation

Our software solutions enable us to determine the heating load of buildings and individual rooms on the basis of the corresponding drawings and data in order to guarantee the most efficient heat distribution or cooling function of the BEKOTEC-THERM ceramic thermal comfort floor.

Please use the project specification sheets and attachments *on pages 98 – 102* for this purpose.

Heating system design

We can determine the design of the heating system once you provide us with the necessary drawings, the information about the number and size of rooms, and the required heating load. That includes the definition of the necessary heating circuits and the optimal installation spacing. We will draw up a material list that includes all necessary components. Such lists can be supplied as tables or as installation diagrams with heating circuits.



Our project specification sheets included in this Manual (*pages 108 – 112*) can be used as the basis for designing the BEKOTEC-THERM system.

visit our website at

www.bekotec-therm.co.uk



Tender documents

Our own tender texts can be found online at **www.bekotec-therm.co.uk** for downloading. We also supply customised tender documents in accordance with the technical design of the Schlüter-BEKOTEC-THERM system.

On site consulting

Our qualified consultants of the field service will be pleased to arrange a site visit for further details.

Note: Our information is non-binding and must be coordinated or adapted by the specialist planner based on structural conditions. We reserve the right to charge additional fees for design development that exceeds the framework of conventional product advisement.

Product service and planning materials

Heat insulation of surface heating systems according to the Buildings Energy Act (GEG)

The German Buildings Energy Act (GEG) has given designers and architects more freedom in the design of the required heat insulation of the external envelope of buildings. The main objective of the law is to limit the annual primary energy need. This is also reflected in the system technology of buildings.

Comprehensive calculation programs are available to determine annual primary energy needs. They take all factors for the energy assessment of buildings into account. The energy needs certificate created on the basis of these calculations includes the necessary information to determine insulation needs.

Conclusion

It is no longer permissible to use fixed insulation layers for compliance with the German Buildings Energy Act (GEG). Floor heating systems have no fixed heat transfer coefficient (U value). The GEG only requires a minimum heat insulation in accordance with current standards.

Simplification

In order to simplify the required individual documentation, the Technical Committee of the German Institute for Construction Technology (DIBt) has published the following statement:

"In the presence of sufficient insulation with a thickness of 8 cm and a thermal conductivity of 0.040 W (m K), the additional heat loss of a floor heating system is very low.

When an insulation of at least 8 cm is present, it is not necessary to determine the additional specific transmission heat loss HT, FH separately to comply with the Energy Savings Ordinance."

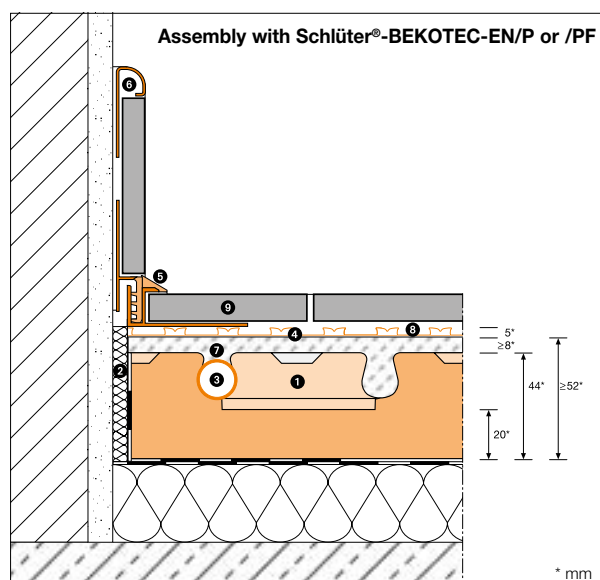
Excerpt from (source: DIBt 01.04.2007 / 2nd publication on interpretation questions for the Energy Savings Ordinance)

If the designer bases the calculations for the energy certificate of a building on better (lower) U values, these must be maintained for the insulation.

The designer will enter the requirements for the actual insulation values in the Energy Pass, which must be created for every new building. The Energy Pass is to be handed to the designer of the heating technology or the contractor at the earliest possible time to select the most suitable insulation materials.

Schlüter-BEKOTEC – example assemblies with DITRA

The assembly examples shown on the following pages must be discussed with the architect with reference to the given U values, traffic loads and impact sound requirements.



Schlüter®-BEKOTEC-THERM

System components Heated floor assembly

1 Schlüter®-BEKOTEC-EN/P or /PF
Studded screed panel for the attachment of Schlüter-heating pipes Ø 16 mm
Note: Additional insulation and waterproofing is required in accordance with the applicable regulations.

2 Schlüter®-BEKOTEC-BRS
Screed edge strip

3 Schlüter®-BEKOTEC-THERM-HR
Heating pipe Ø 16 mm

System components
for the installation of tiles and natural stone
(see separate price list)

4 Schlüter®-DITRA
4.1 Schlüter®-DITRA
(assembly height 5 mm)
Bonded uncoupling, waterproofing vapour pressure equalisation, heat distribution or
4.2 Schlüter®-DITRA-DRAIN 4
(assembly height 6 mm) Bonded uncoupling, vapour pressure equalisation, heat distribution or
4.3 Schlüter®-DITRA-HEAT
(assembly height 7 mm)
Bonded uncoupling, waterproofing for additional electrical floor warming/heating

5 Schlüter®-DILEX
Maintenance free edge and movement joint profiles

6 Schlüter®-RONDEC, -JOLLY, -QUADEC or -LIPROTEC-VB /-VBI
Decorative finishing profiles for walls, skirting and floors

System components
not available from Schlüter-Systems

7 Screed
Cement or gypsum based screed

8 Thin bed tile adhesive

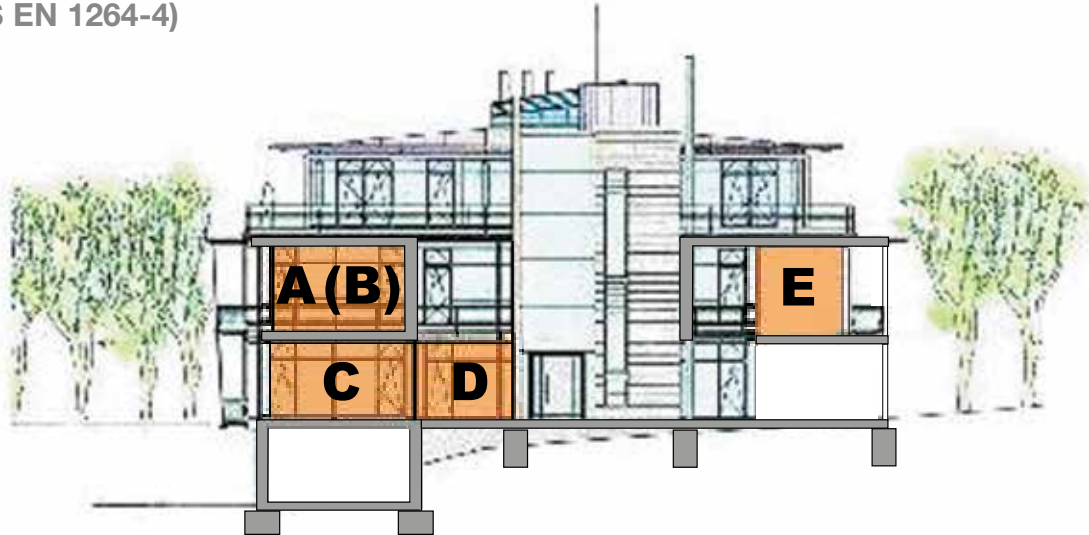
9 Ceramic tiles or natural stone
Other coverings such as carpet, laminates, parquet and vinyl are also feasible in compliance with the applicable installation standards.



Product service and planning materials



Heat insulation of a warm water floor heating system according to DIN EN 1264-4 (BS EN 1264-4)



Minimum insulation values according to DIN EN 1264-4 (BS EN 1264-4)	Unheated or occasionally heated underlying room or rooms with soil contact*		Lower outside temperature Td		
	Underlying room, heated	Unheated or occasionally heated underlying room or rooms with soil contact*	Outside temperature used for design Td ≥ 0 °C	Outside temperature used for design 0 °C > Td ≥ -5 °C	Outside temperature used for design -5 °C > Td ≥ -15 °C
Room areas	A	B, C, D	E	E	E
Thermal resistance R _λ [m ² K/W]	0.75	1.25	1.25	1.5	2

* These minimum values should be increased if the subsoil water level is ≤ 5 meter.

Note

The insulation values (U values) used by designers for calculations determine the thickness of insulation layers in unheated rooms or rooms that directly adjoin the soil. These values typically exceed the minimum insulation listed in the table according to DIN EN 1264-4 (BS EN 1264-4).



A Underlying heated room

General requirements:

R_{ins} of at least 0.75 m² K/W
U_{ins} of at least 1.33 W/(m² K)

B, C, D Ceiling adjoining unheated room and soil

For installing a heated floor system in a new house with normal inside temperatures over ceilings that adjoin unheated or occasionally heated underlying rooms or are in direct contact with the soil, the following thermal resistance or U value must be selected:

R_{ins} of at least 1.25 m² K/W
U_{ins} of at least 0.80 W/(m² K)

E Ceilings adjoining outside air

Additionally, the following thermal resistance or U value must be selected for ceilings that adjoin outside air, with temperatures from - 5 °C to - 15 °C:

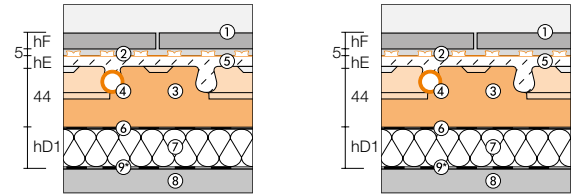
R_{ins} of at least 2.00 m² K/W
U_{ins} of at least 0.50 W/(m² K)

Floor assemblies for various application areas – ceramic thermal comfort floor

C, D, E

Sample assemblies adjoining unheated rooms and soil

• Without sound insulation requirements:

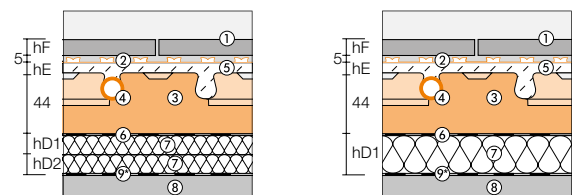


Total thermal resistance		R = 2.106 (m ² K)/W			R = 2.006 (m ² K)/W		
U value total		U = 0.475 W/(m ² K)			U = 0.498 W/(m ² K)		
	Position no./ (Designation)	Layer thickness S	Thermal conductivity λR	Thermal resistance s/λR	Layer thickness S	Thermal conductivity λR	Thermal resistance s/λR
		mm	W/(mK)	(m ² K)/W	mm	W/(mK)	(m ² K)/W
Ceramic covering, thin bed installation	① (hF)						
Schlüter-DITRA, thin bed installation	②	5			5		
Screed coverage	⑤ (hE)	8			8		
BEKOTEC studded panel (height of studs)	③	24			24		
BEKOTEC studded panel/ floor thickness 20 mm EPS 033 DEO	③	20	0.033	0.606	20	0.033	0.606
hD1 additional insulation with EPS 040 DEO	⑦ (hD1)	60	0.040	1.500	–	–	–
hD1 additional insulation with PUR 025 DEO	⑦ (hD1)	–	–	–	35	0.025	1.400
hD2 additional insulation with EPS 040 DEO	⑦ (hD2)	–	–	–	–	–	–
hD2 additional insulation with PUR 025 DEO	⑦ (hD2)	–	–	–	–	–	–
Assembly height without surface covering		117			92		

C, D, E

Sample assemblies adjoining unheated rooms and soil

• Without sound insulation requirements • With increased heat insulation



Total thermal resistance		R = 2.981 (m ² K)/W			R = 3.006 (m ² K)/W		
U value total		U = 0.335 W/(m ² K)			U = 0.333 W/(m ² K)		
	Position no./ (Designation)	Layer thickness S	Thermal conductivity λR	Thermal resistance s/λR	Layer thickness S	Thermal conductivity λR	Thermal resistance s/λR
		mm	W/(mK)	(m ² K)/W	mm	W/(mK)	(m ² K)/W
Ceramic covering, thin bed installation	① (hF)						
Schlüter-DITRA, thin bed installation	②	5			5		
Screed coverage	⑤ (hE)	8			8		
BEKOTEC studded panel (height of studs)	③	24			24		
BEKOTEC studded panel/ floor thickness 20 mm EPS 033 DEO	③	20	0.033	0.606	20	0.033	0.606
hD1 additional insulation with EPS 040 DEO	⑦ (hD1)	50	0.040	1.250	–	–	–
hD1 additional insulation with PUR 025 DEO	⑦ (hD1)	–	–	–	60	0.025	2.400
hD2 additional insulation with EPS 040 DEO	⑦ (hD2)	45	0.040	1.125	–	–	–
hD2 additional insulation with PUR 025 DEO	⑦ (hD2)	–	–	–	–	–	–
Assembly height without surface covering		152			117		

Further drawing numbers:

④ Heating pipe – ⑥ PE foil (recommended if using flowing screeds) – ⑧ Load bearing substrate – ⑨* Waterproofing (if required)

Comments: These assemblies exceed the minimum requirements for insulating layers according to DIN EN 1264 (BS EN 1264 4) $U \leq 0.8 \text{ W}/(\text{m}^2\text{K})$ for rooms adjoining soil or unheated spaces. The supplementary specification of the German Institute for Construction Technology DIBt for $U \leq 0.50 \text{ W}/(\text{m}^2\text{K})$ is met.

Note: Planners must always check whether any further requirements of the GEG have to be met.

Traffic load specifications for various objects must be taken into account when selecting insulating materials.

The architect also has to specify the required waterproofing assemblies, especially in the case of construction segments adjoining soil to prevent floor moisture.

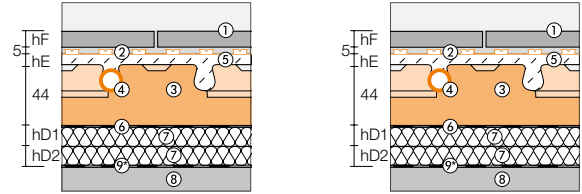


Floor assemblies for various application areas – ceramic thermal comfort floor

C, D, E

Sample assemblies adjoining unheated rooms and soil

• With sound insulation requirements:

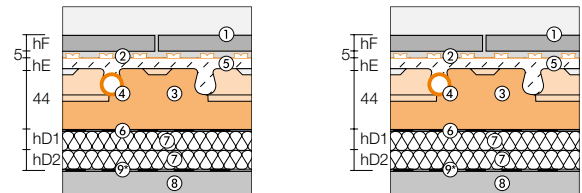


Total thermal resistance		R = 2.023 (m ² K)/W			R = 2.050 (m ² K)/W		
U value total		U = 0.494 W/(m ² K)			U = 0.487 W/(m ² K)		
	Position no./ (Designation)	Layer thickness S	Thermal conductivity λR	Thermal resistance s/λR	Layer thickness S	Thermal conductivity λR	Thermal resistance s/λR
		mm	W/(m K)	(m ² K)/W	mm	W/(m K)	(m ² K)/W
Ceramic covering, thin bed installation	① (hF)						
Schlüter-DITRA, thin bed installation	②	5			5		
25Screed coverage	⑤ (hE)	8			8		
BEKOTEC studded panel (height of studs)	③	24			24		
BEKOTEC studded panel/ floor thickness 20 mm EPS 033 DEO	③	20	0.033	0.606	20	0.033	0.606
hD1 additional insulation with EPS 040 DEO	⑦ (hD1)	30	0.040	0.750	–	–	–
hDI additional insulation with PUR 025 DEO	⑦ (hD1)	–	–	–	25	0.025	1.000
hD2 additional insulation with EPS 045 DES (impact sound insulation)	⑦ (hD2)	30	0.045	0.667	20	0.045	0.444
Assembly height without surface covering		117			102		

C, D, E

Sample assemblies adjoining unheated rooms and soil

• With sound insulation requirements
• With increased heat insulation



Total thermal resistance		R = 2.884 (m ² K)/W			R = 3.050 (m ² K)/W		
U value total		U = 0.346 W/(m ² K)			U = 0.328 W/(m ² K)		
	Position no./ (Designation)	Layer thickness S	Thermal conductivity λR	Thermal resistance s/λR	Layer thickness S	Thermal conductivity λR	Thermal resistance s/λR
		mm	W/(m K)	(m ² K)/W	mm	W/(m K)	(m ² K)/W
Ceramic covering, thin bed installation	① (hF)						
Schlüter-DITRA, thin bed installation	②	5			5		
Screed coverage	⑤ (hE)	8			8		
BEKOTEC studded panel (height of studs)	③	24			24		
BEKOTEC studded panel/ floor thickness 20 mm EPS 033 DEO	③	20	0.033	0.606	20	0.033	0.606
hD1 additional insulation with EPS 040 DEO	⑦ (hD1)	60	0.040	1.500	–	–	–
hDI additional insulation with PUR 025 DEO	⑦ (hD1)	–	–	–	50	0.025	2.000
hD2 additional insulation with EPS 045 DES (impact sound insulation)	⑦ (hD2)	35	0.045	0.778	20	0.045	0.444
Assembly height without surface covering		152			127		

Further drawing numbers:

④ Heating pipe – ⑥ PE foil (recommended if using flowing screeds) – ⑧ Load bearing substrate – ⑨* Waterproofing (if required)

Comments: These assemblies exceed the minimum requirements for insulating layers according to DIN EN 1264 (BS EN 1264 4) $U \leq 0.8 \text{ W}/(\text{m}^2\text{K})$ for rooms adjoining soil or unheated spaces. The supplementary specification of the German Institute for Construction Technology DIBt for $U \leq 0.50 \text{ W}/(\text{m}^2\text{K})$ is met. Only one layer of sound insulation is permissible, with a maximum compressibility $\leq 3 \text{ mm}$ (CP 3). The requirements for slab ceilings according to DIN 4109 or design specifications must be observed for sound insulation.

Note: Planners must always check whether any further requirements of the GEG have to be met.

Traffic load specifications for various objects must be taken into account when selecting insulating materials.

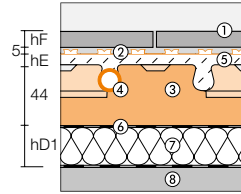
The architect also has to specify the required waterproofing assemblies, especially in the case of construction segments adjoining soil to prevent floor moisture.

Floor assemblies for various application areas – ceramic thermal comfort floor

A

Sample assembly adjoining other heated rooms

• With sound insulation requirements:

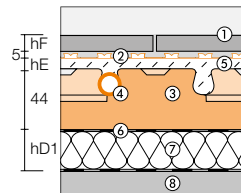


Total thermal resistance		R = 1.050 (m ² K)/W		
U value total		U = 0.952 W/(m ² K)		
	Position no./ (Designation)	Layer thickness S	Thermal conductivity λR	Thermal resistance s/λR
		mm	W/(m K)	(m ² K)/W
Ceramic covering, thin bed installation	① (hF)			
Schlüter-DITRA, thin bed installation	②	5		
Screed coverage	⑤ (hE)	8		
BEKOTEC studded panel (height of studs)	③	24		
BEKOTEC studded panel/ floor thickness 20 mm EPS 033 DEO	③	20	0.033	0.606
hD1 additional insulation with EPS 045 DES (impact sound insulation)	⑦ (hD1)	20	0.045	0.444
Assembly height without surface covering		77		

B

Sample assembly adjoining other rooms with different heating (e.g. commercial properties)

• With sound insulation requirements:



Total thermal resistance		R = 1.273 (m ² K)/W		
U value total		U = 0.786 W/(m ² K)		
	Position no./ (Designation)	Layer thickness S	Thermal conductivity λR	Thermal resistance s/λR
		mm	W/(m K)	(m ² K)/W
Ceramic covering, thin bed installation	① (hF)			
Schlüter-DITRA, thin bed installation	②	5		
Screed coverage	⑤ (hE)	8		
BEKOTEC studded panel (height of studs)	③	24		
BEKOTEC studded panel/ floor thickness 20 mm EPS 033 DEO	③	20	0.033	0.606
hD1 additional insulation with EPS 045 DES (impact sound insulation)	⑦ (hD1)	30	0.045	0.667
Assembly height without surface covering		87		

Further drawing numbers:

④ Heating pipe – ⑥ PE foil (recommended if using flowing screeds) – ⑧ Load bearing substrate

Comments: The requirements for slab ceilings according to DIN 4109 or design specifications must be observed for sound insulation. Only one layer of sound insulation is permissible, with a maximum compressibility ≤ 3 mm (CP 3).

Traffic load specifications for various objects must be taken into account when selecting insulating materials

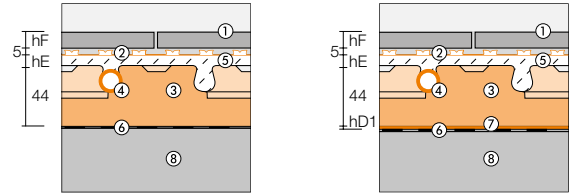
The architect must specify the required waterproofing.



Floor assemblies for various application areas – ceramic thermal comfort floor

Sample assembly for renovation projects

• Without sufficient assembly height:



Total thermal resistance		R = 0.606 (m ² K)/W			R = 0.717 (m ² K)/W		
U value total		U = 1.650 W/(m ² K)			U = 1.395 W/(m ² K)		
	Position no./ (Designation)	Layer thickness S	Thermal conductivity λR	Thermal resistance s/λR	Layer thickness S	Thermal conductivity λR	Thermal resistance s/λR
		mm	W/(mK)	(m ² K)/W	mm	W/(mK)	(m ² K)/W
Ceramic covering, thin bed installation	① (hF)						
Schlüter-DITRA, thin bed installation	②	5			5		
Screed coverage	⑤ (hE)	8			8		
BEKOTEC studded screed panel (stud height)	③	24			24		
BEKOTEC studded screed panel/ base thickness 20 mm EPS 033 DEO	③	20	0.033	0.606	20	0.033	0.606
hD1 Schlüter-BEKOTEC-BTS (impact sound improvement)*	⑦ (hD1)	–	–	–	5	0.045	0.111
Assembly height without surface covering		57			62		

* **Tip:** Use Schlüter-BEKOTEC-BTS for sound insulation and restoration (see page 25)!

Further drawing numbers:

④ Heating pipe – ⑥ PE foil (recommended if using flowing screeds) – ⑧ Load bearing substrate

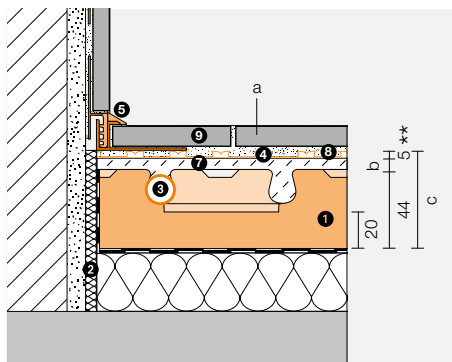
Note: The architect must always verify whether additional insulation measures, waterproofing or heat or impact sound insulation is required.

Ceramic thermal comfort floor with Schlüter®-BEKOTEC-EN/P and -EN/PF

System assembly

Screed coverage and maximum traffic loads for various surface coverings

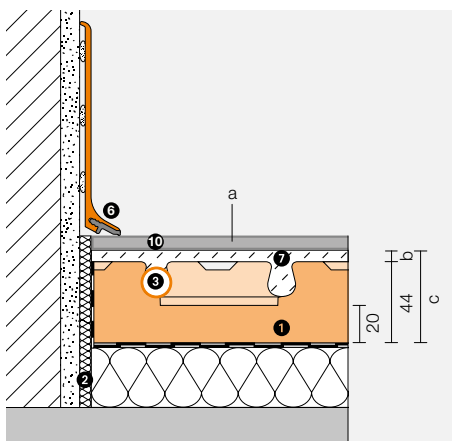
Ceramic coverings



(a) Floor covering	Max. traffic load q_k according to DIN EN 1991	Max. individual load Q_k according to DIN EN 1991	(b) System coverage with conventional screeds	(c) Total thickness of BEKOTEC assembly
Ceramic tile/natural stone	5.0 kN/m ²	3.5 – 7.0 kN	8 – 25 mm	57 – 74 mm

** Assembly height DITRA = 5 mm, see 4 for additional product specific assembly heights

Non-ceramic coverings



Soft coverings: PVC, vinyl, linoleum, carpet, cork	2 kN/m ²	2.0 – 3.0 kN	15 – 25 mm	59 – 69 mm
Adhered parquet without tongue and groove connection	5.0 kN/m ²	3.5 – 7.0 kN	15 – 25 mm	59 – 69 mm
Adhered parquet with tongue and groove connection	5.0 kN/m ²	3.5 – 7.0 kN	8 – 25 mm	52 – 69 mm
Floating parquet, laminate	2 kN/m ²	2.0 – 3.0 kN	8 – 25 mm	52 – 69 mm

Schlüter®-BEKOTEC-THERM

System components Floor heating system

- 1 **Schlüter®-BEKOTEC-EN**
Studded screed panel for attaching Schlüter heating pipes
Note: Additional insulation and structural waterproofing is required in accordance with the applicable regulations.
See pages 23 – 28 for prerequisites for installation!
- 2 **Schlüter®-BEKOTEC-BRS**
Screed edge strip
- 3 **Schlüter®-BEKOTEC-THERM-HR**
Heating pipe Ø 16 mm

System components for the installation of tiles and natural stone (see separate price list)

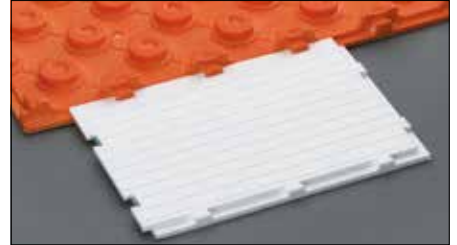
- 4 **Schlüter®-DITRA**
4.1 **Schlüter®-DITRA**
(Assembly height 5 mm), bonded uncoupling, waterproofing, vapour pressure equalisation, heat distribution or
4.2 **Schlüter®-DITRA-DRAIN 4**
(Assembly height 6 mm), bonded uncoupling, vapour pressure equalisation, heat distribution or
4.3 **Schlüter®-DITRA-HEAT**
(assembly height 7 mm) bonded uncoupling, waterproofing for additional electrical floor warming/heating

- 5 **Schlüter®-DILEX-EK** or **-RF**
Maintenance free edge and movement joint profiles
- 6 **Schlüter®-DESIGNBASE-SL, -CQ, -QD**
Decorative finishing profiles for walls, skirting and floors

System components not available from Schlüter-Systems

- 7 **Screed**
based on conventionally applied cement or gypsum screeds
(see specification on page 27)
- 8 **Thin bed tile adhesive**
- 9 **Ceramic tiles or natural stone**
- 10 **Non-ceramic coverings**
Other coverings such as carpet, laminates, vinyl and parquet are also feasible in compliance with the applicable installation standards.

Remaining areas or cut outs at doors and protrusions can be covered with the levelling panel BEKOTEC-ENR. BEKOTEC-ENR levelling panels may be also used in the area in front of the distribution cabinet to simplify the installation of closely adjacent heating pipes.



Technical data

Schlüter-BEKOTEC-ENR as a levelling panel (white) for reducing waste and fitting into small areas and open spaces

Dimensions:	30.5 cm x 45.5 cm = 0.14 m ²
Thickness:	20 mm
Insulation material:	EPS 040 DEO
Heat conductor class:	040 (0.04 W/mK)
U value:	2.0 W/m ² K
Thermal resistance:	0.5 m ² K/W



Pipe clamping strip

Schlüter-BEKOTEC-ZRKL is a pipe clamping strip for securing the pipes on the levelling panel. The clamping strips are self-adhesive to allow for permanent attachment.

Length: 20 cm

Number of pipe spaces: 4



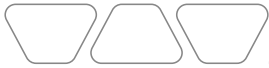
Schlüter-BEKOTEC-THERM-RH 75 is a heating pipe bracket for attachment across studs in the studded screed panels BEKOTEC-EN/P and EN/PF.

It is especially suited for 45° installation of 16 mm heating pipes in the studded panel.



Schlüter-BEKOTEC-THERM-RH-17 is a plastic pipe clamp with barbed hooks to attach 16 mm heating pipes in critical areas.





Ceramic thermal comfort floor with Schlüter®-BEKOTEC-EN 23 F

System structure with low assembly height

Screed coverage and maximum traffic loads for various surface coverings

Ceramic coverings	(a) Floor covering	Max. traffic load q_k according to DIN EN 1991	Max. individual load Q_k according to DIN EN 1991	(b) System coverage with conventional screeds	(c) Total thickness of BEKOTEC assembly
	Ceramic tile/natural stone	5.0 kN/m ²	3.5 – 7.0 kN	8 – 25 mm	36 – 53 mm

** Assembly height DITRA = 5 mm, see 4 for additional product specific assembly heights

Non-ceramic coverings

	Soft coverings: PVC, vinyl, linoleum, carpet, cork	2 kN/m ²	2.0 – 3.0 kN	15 – 25 mm	38 – 48 mm
Adhered parquet without tongue and groove connection	5.0 kN/m ²	3.5 – 7.0 kN	15 – 25 mm	38 – 48 mm	
Adhered parquet with tongue and groove connection	5.0 kN/m ²	3.5 – 7.0 kN	8 – 25 mm	31 – 48 mm	
Floating parquet, laminate	2 kN/m ²	2.0 – 3.0 kN	8 – 25 mm	31 – 48 mm	

Schlüter®-BEKOTEC-THERM

System components Floor heating system (with low assembly height)

- 1 Schlüter®-BEKOTEC-EN 23 F**
Studded screed panel for the attachment of Schlüter heating pipes with a diameter of 14 mm
Note: Additional insulation and structural waterproofing is required in accordance with the applicable regulations.
For prerequisites for installation, please see pages 23 – 28!
- 2 Schlüter®-BEKOTEC-BRS 808 KSF**
Screed edge strip
- 3 Schlüter®-BEKOTEC-THERM-HR**
Heating pipe Ø 14 mm

System components

for the installation of tiles and natural stone (see separate price list and product data sheets)

- 4 Schlüter®-DITRA**
 - 4.1 Schlüter®-DITRA**
(Assembly height 5 mm), bonded uncoupling, waterproofing, vapour pressure equalisation, heat distribution or
 - 4.2 Schlüter®-DITRA-DRAIN 4**
(Assembly height 6 mm), bonded uncoupling, vapour pressure equalisation, heat distribution or
 - 4.3 Schlüter®-DITRA-HEAT**
(assembly height 7 mm) bonded uncoupling, waterproofing for additional electrical floor warming/heating

- 5 Schlüter®-DILEX -EK or -RF**
Maintenance free edge and movement joint profiles
- 6 Schlüter®-DESIGNBASE-SL, -CQ, -QD**
Decorative finishing profiles for walls, skirting and floors

System components not available from Schlüter-Systems

- 7 Screed**
based on conventionally applied cement or gypsum screeds
(see specification on page 27)
- 8 Thin bed tile adhesive**
- 9 Ceramic tiles or natural stone**
- 10 Non-ceramic coverings**
Other coverings such as carpet, laminates, parquet and vinyl are also feasible in compliance with the applicable installation standards.

Prerequisites and implementation

Installation of the studded screed panel Schlüter®-BEKOTEC-EN 23 F

The studded panels Schlüter-BEKOTEC-EN 23 F made of polystyrene foil must be cut precisely to size in the edge areas. The BEKOTEC panels are connected by overlapping a row of studs. In threshold areas and near distributor boxes, the smooth levelling panel Schlüter-BEKOTEC-ENFG may be used to simplify the pipe installation. This panel is used underneath the studded panels and is adhered with double sided adhesive strips. The self-adhesive pipe clamping strip Schlüter-BEKOTEC-ZRKL enables precise pipe layout in these areas. It may be necessary to adhere the panels to the substrate. For example if the force of the pipes is relatively high (in small rooms with tight pipe radiuses). The double-sided adhesive tape Schlüter-BEKOTEC-ZDK can be used for this purpose. The system pipes with a diameter of 14 mm are now clamped between the cutback studs to create a ceramic thermal comfort floor with BEKOTEC-EN 23 F. The spacing of the pipes must be determined on the basis of the required heating output, as shown in the Schlüter-BEKOTEC-THERM heating diagrams (from page 88).

Note: Schlüter-BEKOTEC-EN 23 F, -ENFG, -BRS and -BTS do not rot and require no special maintenance or care. Before and during the installation of the screed, the studded screed panel may need to be protected from mechanical damage with suitable measures, such as laying out wooden boards.

Technical data

1. Stud size:

approx. 20 mm for small studs

approx. 65 mm for large studs

Installation spacing: 75, 150, 225, 300 mm

Diameter of the system

heating pipes: Ø 14 mm

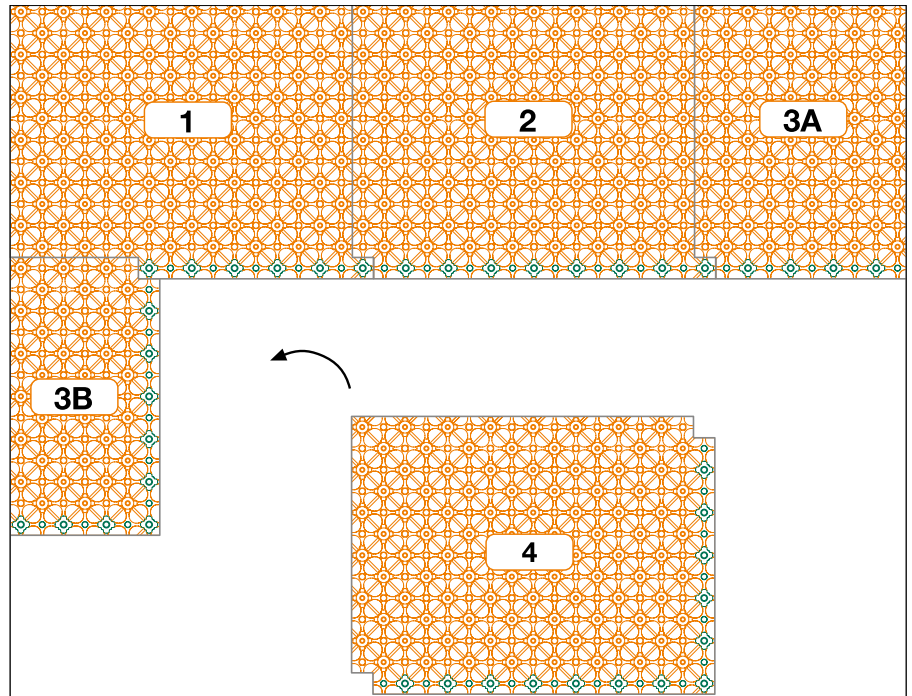
The studs have a cutback design to securely keep heating pipes in place without the need for clamps.

2. Connections:

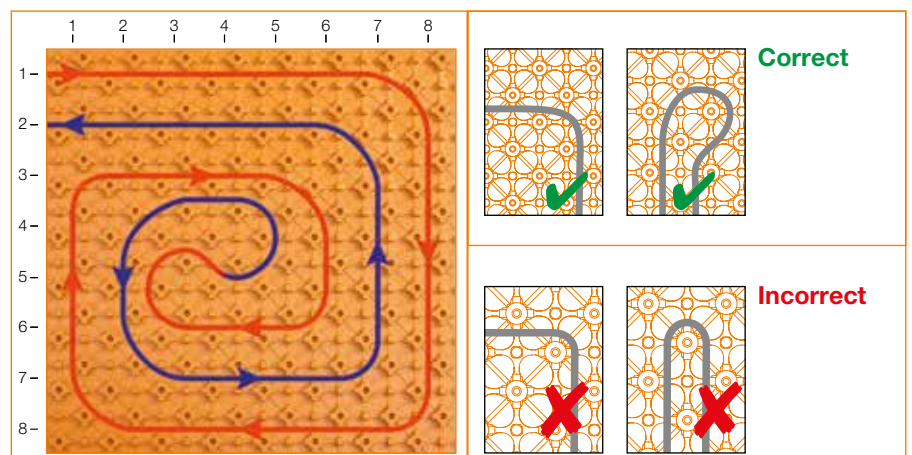
The studded panels are connected by overlapping a row of studs and clicking the panels together.

3. Working area: 1.2 x 0.9 m = 1.08 m²

Panel height: 23 mm



The installation direction is indicated by the tapered connection studs, which are shown in green colour in the drawing. Cut segments that are longer than 30 cm can fit into the next row.



The system heating pipes (Ø 14 mm) are installed at double the installation spacing to the reversal loop. After the reversal point, the return line (blue) is inserted into the centre of the remaining space.

Important: Form the heating pipes as shown in the drawing!

Further technical information can be found in product data sheet 9.2.



Schlüter®-BEKOTEC-EN 23 F

Supplementary system products

Levelling panel

Schlüter-BEKOTEC-ENFG is installed in the area of the heating circuit distributors and at thresholds to simplify connections and to minimise cutting waste.

It consists of a smooth polystyrene foil material and is adhered below the studded panels, using the supplied double-sided adhesive tape.

Dimensions: 1275 x 975 mm

Thickness: 1.2 mm



Pipe clamping strip

Schlüter-BEKOTEC-ZRKL is a pipe clamping strip for securing the pipes on the levelling panel. The clamping strips are self-adhesive to allow for permanent attachment.

Length: 20 cm

Number of pipe spaces: 4



Double sided adhesive tape

Schlüter-BEKOTEC-ZDK is a double sided adhesive tape for adhering the studded panel to the levelling panel or to the substrate if necessary.

Roll: 66 m, height: 30 mm

Thickness: 1 mm

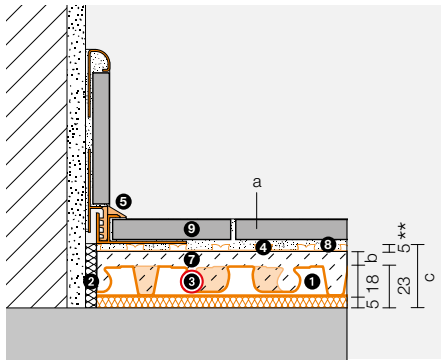


Ceramic thermal comfort floor with Schlüter®-BEKOTEC-EN 18 FTS

System assembly with integrated sound insulation

Screed coverage and maximum traffic loads for various surface coverings

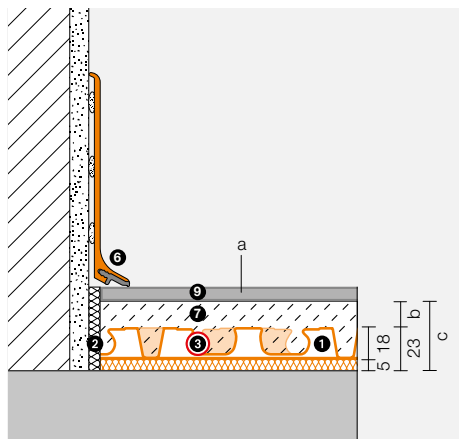
Ceramic coverings



(a) Floor covering	Max. traffic load q_k according to DIN EN 1991	Max. individual load Q_k according to DIN EN 1991	(b) System coverage with conventional screeds	(c) Total thickness of BEKOTEC assembly
Ceramic tile/ natural stone	5.0 kN/m ²	3.5 – 7.0 kN	8 – 20 mm	36 – 48 mm

** Assembly height DITRA = 5 mm, see 4 for additional product specific assembly heights

Non-ceramic coverings



Soft coverings: PVC, vinyl, linoleum, carpet, cork	2 kN/m ²	2.0 – 3.0 kN	15 – 20 mm	38 – 43 mm
Adhered parquet without tongue and groove connection	5.0 kN/m ²	3.5 – 7.0 kN	15 – 20 mm	38 – 43 mm
Adhered parquet with tongue and groove connection	5.0 kN/m ²	3.5 – 7.0 kN	8 – 20 mm	31 – 43 mm
Floating parquet, laminate	2 kN/m ²	2.0 – 3.0 kN	8 – 20 mm	31 – 43 mm

Schlüter®-BEKOTEC-THERM

System components Floor heating system (with integrated sound insulation)

- 1 Schlüter®-BEKOTEC-EN 18 FTS**
(directly installed on load bearing substrate)
Studded screed panel for the attachment of Schlüter heating pipes with a diameter of 12 mm
Note: Additional insulation and structural waterproofing is required in accordance with the applicable regulations.
For prerequisites for installation, please see pages 23 – 28!
- 2 Schlüter®-BEKOTEC-BRS 808 KSF**
Screed edge strip
- 3 Schlüter®-BEKOTEC-THERM-HR**
Heating pipe Ø 12 mm

System components

for the installation of tiles and natural stone (see separate price list and product data sheets)

- 4 Schlüter®-DITRA**
 - 4.1 Schlüter®-DITRA**
(Assembly height 5 mm), bonded uncoupling, waterproofing, vapour pressure equalisation, heat distribution or
 - 4.2 Schlüter®-DITRA-DRAIN 4**
(Assembly height 6 mm), bonded uncoupling, vapour pressure equalisation, heat distribution or
 - 4.3 Schlüter®-DITRA-HEAT**
(assembly height 7 mm) bonded uncoupling, waterproofing for additional electrical floor warming/heating
- 5 Schlüter®-DILEX -EK or -RF**
Maintenance free edge and movement joint profiles

- 6 Schlüter®-DESIGNBASE-SL, -CQ, -QD**
Decorative finishing profiles for walls, skirting and floors

System components not available from Schlüter-Systems

- 7 Screed**
based on conventionally applied cement or gypsum screeds
(see specification on page 27)
- 9 Thin bed tile adhesive**
- 9 Ceramic tiles or natural stone**
- 10 Non-ceramic coverings**
Other coverings such as carpet, laminates, parquet and vinyl are also feasible in compliance with the applicable installation standards.



Prerequisites and implementation

Installation of the studded screed panel Schlüter®-BEKOTEC-EN 18 FTS

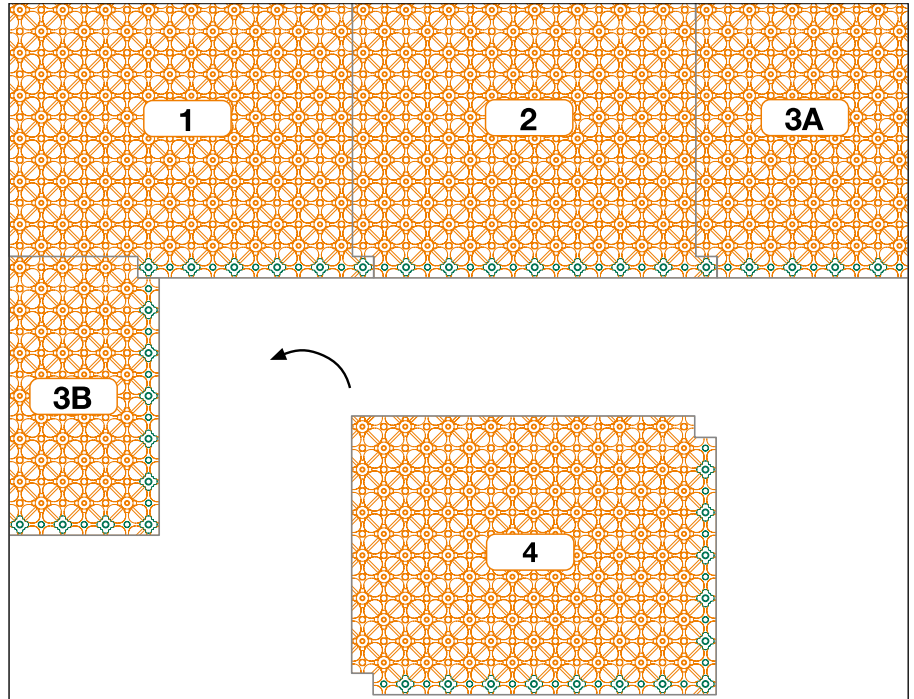
The studded panels Schlüter-BEKOTEC-EN 18 FTS made of polystyrene foil must be precisely cut to size in the edge areas. To avoid sound bridges, remove the studs of the EN 18 FTS panel in the edge area along the wall.

The BEKOTEC panels are connected by overlapping a row of studs. In threshold areas and near distributor boxes, the smooth levelling panel Schlüter-BEKOTEC-ENFGTS may be used to simplify the pipe installation. It is installed below the studded panels and adhered with double sided adhesive strips. It may be necessary to remove the sound insulation of the studded panel in the transition areas for a precise fit (see photo). The self-adhesive pipe clamping strip Schlüter-BEKOTEC-ZRKL 10/12 allows for precise pipe placement in these areas. The system pipes with a diameter of 12 mm are now clamped between the cutback studs to create a ceramic thermal comfort floor with Schlüter-BEKOTEC-THERM EN 18 FTS. The spacing of the pipes must be determined on the basis of the required heating output, as shown in the BEKOTEC-THERM heating diagrams (from page 92).

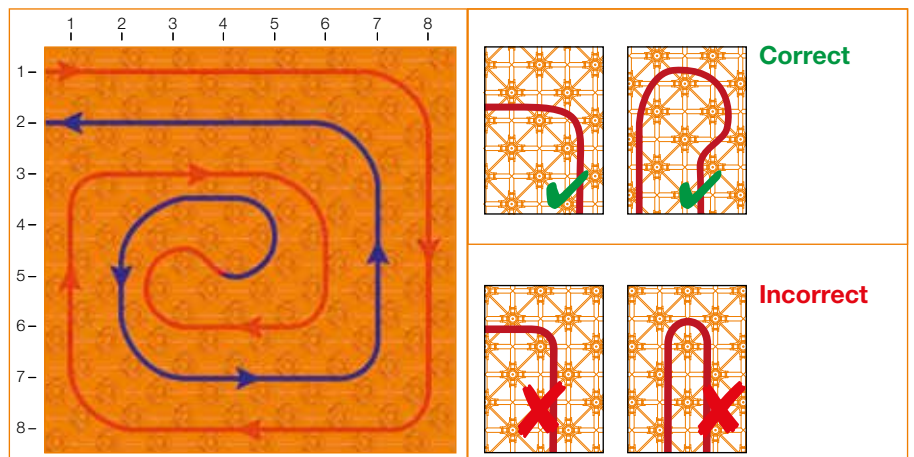
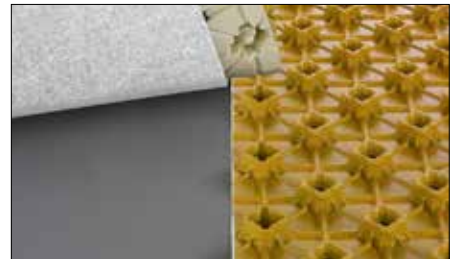
Important: Schlüter-BEKOTEC-EN 18 FTS, -ENFGTS and -BRS do not rot and require no special maintenance or care. Before and during the installation of the screed, the studded screed panel may need to be protected from mechanical damage with suitable measures, such as laying out wooden boards.

Technical data

1. Improvement in sound insulation (according to DIN EN ISO 717 2: 25 db)
2. Stud size: approx. 40 mm
Installation spacing: 50, 100, 150 mm ...
Diameter of system heating pipes: \varnothing 12 mm
The studs have a cutback design to securely keep heating pipes in place without the need for clamps.
3. Connections:
The studded panels are connected by overlapping a row of studs and clicking the panels together.
4. Working area: $1.4 \times 0.8 \text{ m} = 1.12 \text{ m}^2$
Panel thickness: 18 + 5 mm integrated sound insulation \approx 23 mm



The installation direction is indicated by the tapered connection studs, which are shown in green colour in the drawing. Cut segments that are longer than $\geq 30 \text{ cm}$ can fit into the next row.



The system heating pipes (\varnothing 12 mm) are installed at double the installation spacing to the reversal loop. After the reversal point, the return line (blue) is inserted into the centre of the remaining space.
Important: Form the heating pipes as shown in the drawing!

Further technical information can be found in product data sheet 9.4.

Schlüter®-BEKOTEC-EN 18 FTS

Supplementary system products

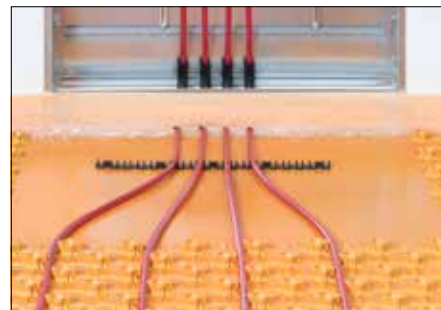
Levelling panel

The levelling panel Schlüter-BEKOTEC-ENFGTS is installed in the area of the heating circuit distributors and at thresholds to simplify connections and to minimise cutting waste.

It consists of a smooth polystyrene foil material with sound insulation on the reverse side and is adhered below the studded panels, using the supplied double sided adhesive tape.

Dimensions: 1400 x 800 mm

Thickness: 6.2 mm

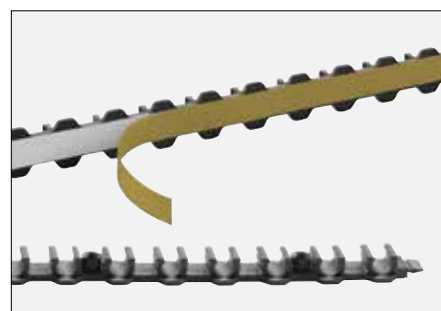


Pipe clamping strip

Schlüter-BEKOTEC-ZRKL is a pipe clamping strip for securing the pipes on the levelling panel. The clamping strips are self-adhesive to allow for permanent attachment.

Length: 80 cm

Number of pipe spaces: 32



Double sided adhesive tape

Schlüter-BEKOTEC-ZDK is a double sided adhesive tape for adhering the studded panel to the levelling panel or to the substrate if necessary.

Roll: 66 m

Height: 30 mm

Thickness: 1 mm



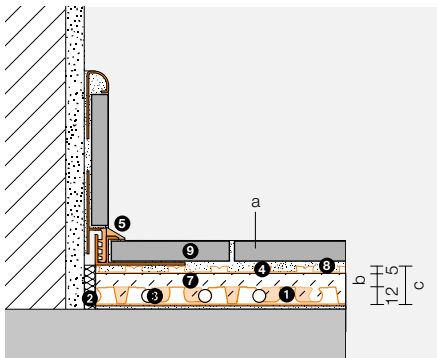


Ceramic thermal comfort floor with Schlüter®-BEKOTEC-EN 12 FK

System structure with very low assembly height

Screed coverage and maximum traffic loads for various surface coverings

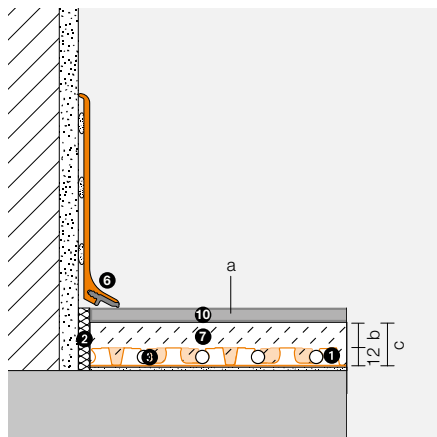
Ceramic coverings



** Assembly height DITRA = 5 mm, see 4 for additional product specific assembly heights

(a) Floor covering	Max. traffic load q_k according to DIN EN 1991	Max. individual load Q_k according to DIN EN 1991	(b) System coverage with conventional screeds	(c) Total thickness of BEKOTEC assembly
Ceramic tile/natural stone	5.0 kN/m ²	3.5 – 7.0 kN	8 – 15 mm	25 – 32 mm

Non-ceramic coverings



Soft coverings: PVC, vinyl, linoleum, carpet, cork	2 kN/m ²	2.0 – 3.0 kN	15 mm	27 mm
Adhered parquet without tongue and groove connection	5.0 kN/m ²	3.5 – 7.0 kN	15 mm	27 mm
Adhered parquet with tongue and groove connection	5.0 kN/m ²	3.5 – 7.0 kN	8 – 15 mm	20 – 27 mm
Floating parquet, laminate	2 kN/m ²	2.0 – 3.0 kN	8 – 15 mm	20 – 27 mm

Schlüter®-BEKOTEC-THERM

System components Floor heating system (with very low assembly height)

- 1 Schlüter®-BEKOTEC-EN 12 FK**
(directly adhered over load bearing substrate)
Studded screed panel for the attachment of Schlüter heating pipes with a diameter of 10 mm
For prerequisites for installation, please see pages 23 – 28!
- 2 Schlüter®-BEKOTEC-BRS 808 KSF**
Screed edge strip
- 3 Schlüter®-BEKOTEC-THERM-HR**
Heating pipe Ø 10 mm

System components

for the installation of tiles and natural stone (see separate price list and product data sheets)

- 4 Schlüter®-DITRA**
4.1 Schlüter®-DITRA
(Assembly height 5 mm), bonded uncoupling, waterproofing, vapour pressure equalisation, heat distribution or
4.2 Schlüter®-DITRA-DRAIN 4
(Assembly height 6 mm), bonded uncoupling, vapour pressure equalisation, heat distribution or
4.3 Schlüter®-DITRA-HEAT
(assembly height 7 mm) bonded uncoupling, waterproofing for additional electrical floor warming/heating
- 5 Schlüter®-DILEX -EK or -RF**
Maintenance free edge and movement joint profiles

- 6 Schlüter®-DESIGNBASE-SL, -CQ, -QD**
Decorative finishing profiles for walls, skirting and floors

System components not available from Schlüter-Systems

- 7 Screed**
based on conventionally applied cement or gypsum screeds
(see specification on page 27)
- 8 Thin bed tile adhesive**
- 9 Ceramic tiles or natural stone**
- 10 Non-ceramic coverings**
Other coverings such as carpet, laminates, parquet and vinyl are also feasible in compliance with the applicable installation standards.

Prerequisites and implementation

Installation of the studded screed panel Schlüter®-BEKOTEC-EN 12 FK

The studded Schlüter-BEKOTEC-EN 12 FK panels, which are adhered directly over the load bearing substrate, must be cut to size in the peripheral areas. The BEKOTEC panels are connected by overlapping a row of studs. In threshold areas and near distributor boxes, the smooth levelling panel Schlüter-BEKOTEC-ENFGK may be used to simplify the pipe installation. This panel is used underneath the studded panels and is adhered directly on the substrate. The self-adhesive pipe clamping strip Schlüter-BEKOTEC-ZRKL 10/12 allows for precise routing of pipes in these areas. The double sided adhesive tape Schlüter-BEKOTEC-ZDK can be used to attach the studded panels to the levelling panel. The system pipes with a diameter of 10 mm are now clamped between the cutback studs to create a ceramic thermal comfort floor with Schlüter-BEKOTEC-THERM-EN 12 FK. The spacing of the pipes must be determined on the basis of the required heating output, as shown in the Schlüter-BEKOTEC-THERM heating diagrams (from page 96).

Note: Schlüter-BEKOTEC-EN 12 FK, -ENFGK and -BRS do not rot and require no special maintenance or care. Before and during the installation of the screed, the studded screed panel may need to be protected from mechanical damage with suitable measures, such as laying out wooden boards.

Technical data

1. Stud size: approx. 44 mm

Installation spacing: 50, 100, 150 mm ...

Diameter of system heating pipes: Ø 10 mm

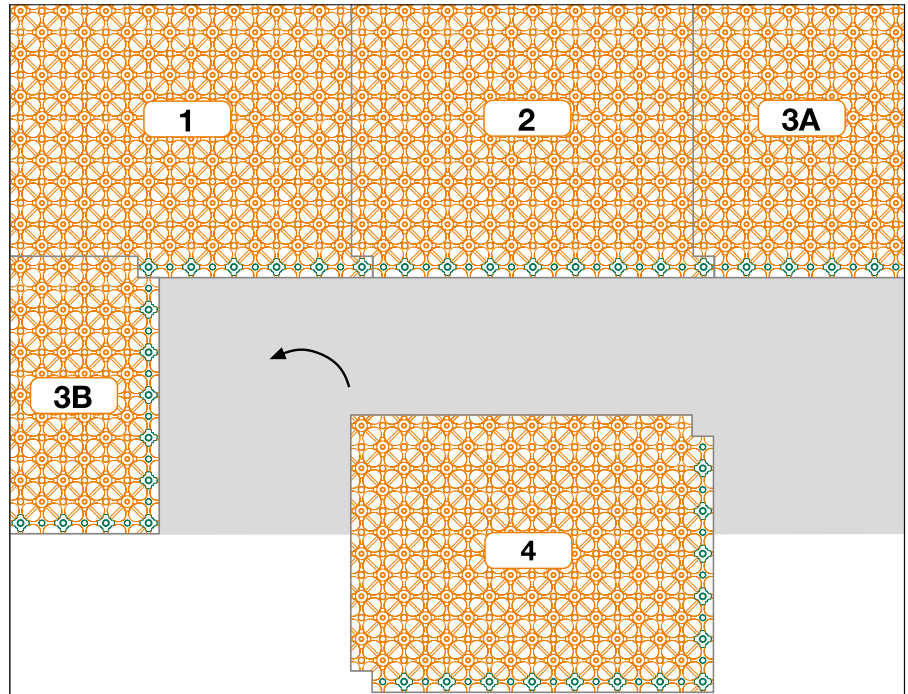
The studs have a cutback design to securely keep heating pipes in place without the need for clamps.

2. Connections:

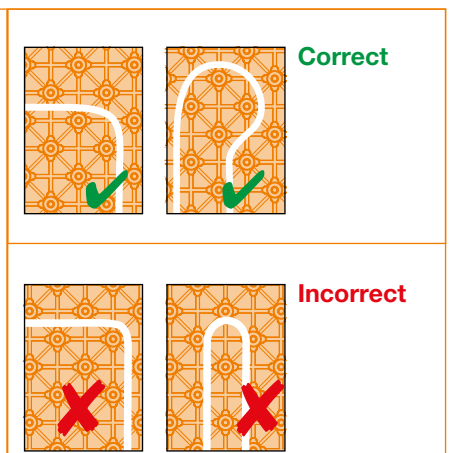
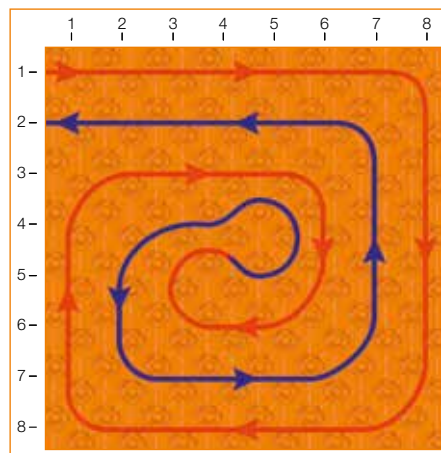
The studded panels are connected by overlapping a row of studs and clicking the panels together.

3. Working area: 1.1 x 0.7 m = 0.77 m²

Panel height: 12 mm



The installation direction is indicated by the tapered connection studs, which are shown in green colour in the drawing. Cut segments that are longer than ≥ 30 cm can fit into the next row.



The system heating pipes (Ø 10 mm) are installed at double the installation spacing to the reversal loop. After the reversal point, the return line (blue) is inserted into the centre of the remaining space.

Important: Form the heating pipes as shown in the drawing!

Further technical information can be found in product data sheet 9.5.



Schlüter®-BEKOTEC-EN 12 FK

Supplementary system products

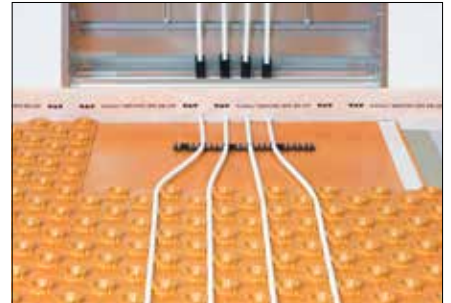
Levelling panel

The levelling panel Schlüter-BEKOTEC-ENFGK is directly adhered to the substrate in the area of the heating circuit distributors and at thresholds to simplify connections and to minimise cutting waste.

It consists of smooth polystyrene foil material and is adhered below the studded panels, using the supplied double sided adhesive tape if necessary.

Dimensions: 1100 x 700 mm

Thickness: 1.2 mm

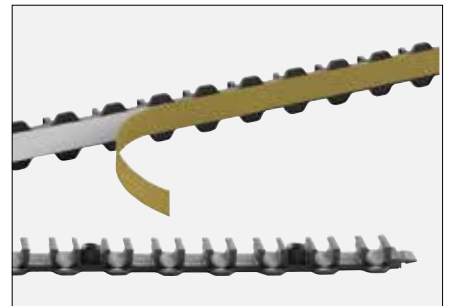


Pipe clamping strip

Schlüter-BEKOTEC-ZRKL is a pipe clamping strip for securing the pipes on the levelling panel. The clamping strips are self-adhesive to allow for permanent attachment.

Length: 80 cm

Number of pipe spaces: 32



Double sided adhesive tape

Schlüter-BEKOTEC-ZDK is a double sided adhesive tape for adhering the studded panel to the levelling panel or to the substrate if necessary.

Roll: 66 m

Height: 30 mm

Thickness: 1 mm



Technical data – system products



System heating pipe Schlüter®-BEKOTEC-THERM-HR

Schlüter-BEKOTEC-THERM-HR heating pipes are made of a special, highly flexible polyethylene material. The typical molecular structure of this material with branched octenes and a close molecular weight distribution allows for the production of pipes with high thermal resistance and pressure resistance. The applicable quality requirements have been far exceeded. Consequently, no cross linking of the molecular structure is necessary for this high quality material.

BEKOTEC-THERM-HR heating pipes are coated with an oxygen barrier of EVOH. This oxygen barrier is connected to the base pipe with a special process. Together, the base pipe, the adhesion promoter, and the oxygen barrier form an inseparable unit. Therefore, it is not necessary to implement a system separation because of oxygen diffusion.

Our high value BEKOTEC-THERM-HR heating pipes are characterised by the following properties:

- Easy, time saving installation thanks to low internal stress in the pipes
- Installation is feasible with outside temperatures to $-10\text{ }^{\circ}\text{C}$
- Minimal flow resistance thanks to high surface gloss in the interior of the pipe
- Five-layer pipe with internal oxygen barrier layer
- Available roll sizes 70m, 120m, 200m, 600m
- Linear metres imprinted on pipe

The system heating pipe Schlüter-BEKOTEC-THERM – *with its 10 year warranty* – is

- Safe
- Flexible
- Durable
- Low in tension

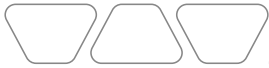


Additional benefits

- Highly temperature resistant and enormously durable (life expectancy)
- Non toxic and physiologically harmless
- For floor heating and cooling systems and concrete core cooling

Standards, testing and monitoring

- Schlüter-BEKOTEC-THERM-HR heating pipes are manufactured according to DIN 16833 and are subject to ongoing quality controls according to DIN 4726.



Technical data – system products

System heating pipe - fatigue testing

The durability of pipe materials is tested in long term fatigue tests, with results displayed in the so called creep rupture strength diagrams. In order to determine the requirements of prolonged stress exposure, the mechanical properties of the material had to be analysed over the long term. The diagram below shows the pressure resistance and temperature resistance with the projected life expectancy of the material.

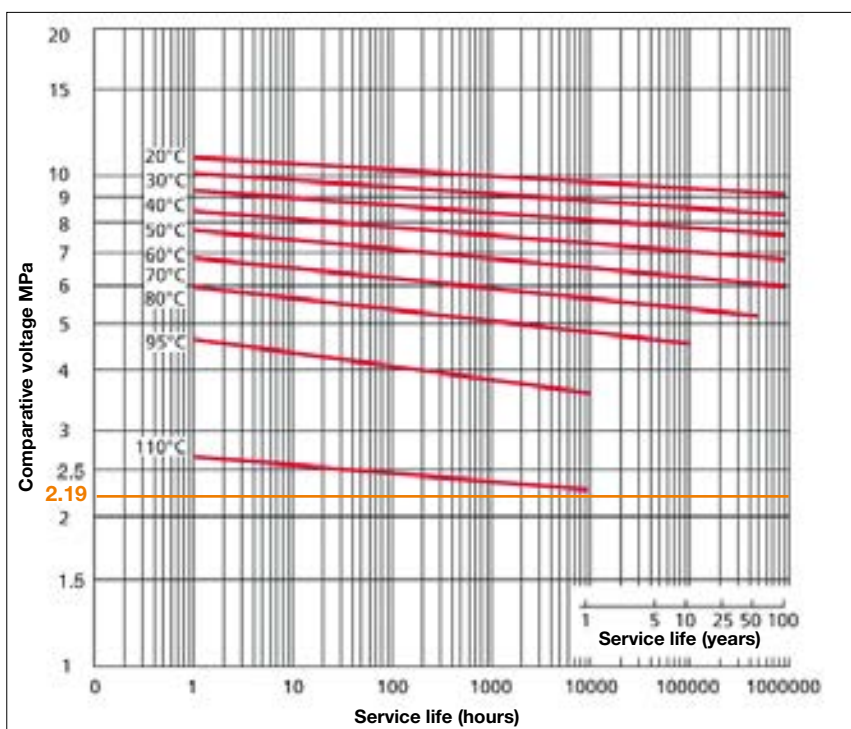
PR RT was the first substance ever to be specially designed for the production of pipes for application in heated floor assemblies. Due to its unique molecular structure with branched octenes distributed evenly over its main chains and the close distribution of molecular weight, the material is highly durable even under elevated temperature and pressure conditions.

Example

A conventional heating system with an interior pipe pressure of max. 2.5 bar and dimensions of $\varnothing 16 \times 2$ mm has a calculated equivalent stress of 0.875 MPA. Even with a safety factor of 250 % (**2.19 MPa**) no failure of the Schlüter-BEKOTEC-THERM heating pipe has been documented at a heating water temperature of 50 °C (see diagram).

The requirements for these heating pipes are specified in the industry standards DIN 16833, DIN 16834 and DIN 4724. Endurance tests have shown that the pipes far exceed the requirements of DIN 4726.

Creep rupture strength diagram Schlüter®-BEKOTEC-THERM-HR



Technical data – system products



System heating pipe – physical and mechanical properties

Properties	Unit	Values
Density	g/cm ³	0.933
Thermal conductivity	W/(mK) at 60 °C	0.40
Coefficient of thermal expansion	10 ⁻⁴ /K	1.95
max. operating temperature	°C	70
Yield strength (1) (2)	Mpa	16.5
Tensile strength (1) (2)	%	13
smallest forming radius	Ø	5 x outside diameter
Oxygen permeability (3)	g/m ³ d	< 0.1
Stress crack resistance	h	> 8760 (no break)
Water content (Ø 16 mm)	l/m	0.113
Water content (Ø 14 mm)	l/m	0.079
Water content (Ø 12 mm)	l/m	0.064
Water content (Ø 10 mm)	l/m	0.043

- (1) Test speed 50 mm/min.
 (2) Sample compression plate: 2 mm thick
 (3) Tested with co extruded EVOH layer

Chemical resistance*

Chemicals	
Acetone	++
Ammonia	+
Gasoline	-
Chromic acid	++
Ethylene glycol	++
Ferrous sulphate	++
Formaldehyde 30 %	++
Isopropyl alcohol	++
Sodium hydroxide solution	++
Propylene glycol	++
Nitric acid 5 %	++
Hydrochloric acid	++
Acids, inorganic/organic	++
Sulphuric acid 30 %	++
Hydrogen	++

¹⁾The chemical resistance tests were conducted according to ASTM D543 60T (ASTM D543 87) at 23.9° C.

++ resistant¹⁾

+ conditionally resistant¹⁾

- not resistant¹⁾

* with reference to heating medium (interior of heating pipe)

Storage

The pipes may not be exposed to direct sunlight for a long time. Boxes should be protected from moisture.

Pressure loss

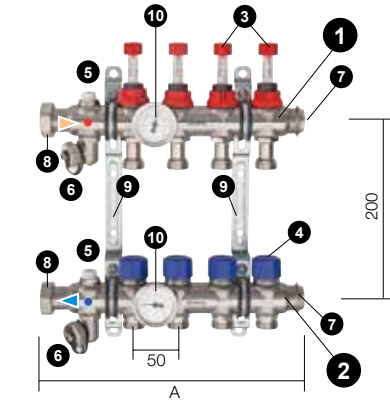
See pressure loss diagram, Attachment I on page 104.



Technical data – system products



Heating circuit distributor DN 25 of stainless steel – HVT/DE



Schlüter-BEKOTEC-THERM-HVT/DE is a heating circuit distributor DN 25 of stainless steel with supply bar **1** and return bar **2** and an outside diameter of 35 mm.

Als The integrated and pre-assembled set includes:

- Supply water flow meter **3** with transparent scale for regulating flow volumes from 0.5 to 3 litres per minute.
- Thermostat valves **4**, manually adjustable for every heating circuit, to match the electrically controlled Schlüter actuators
- one manual vent **5**, nickel plated brass for supply and return flow,
- Fill and drain cock **6** 1/2" (DN 15), rotatable, nickel plated brass,
- Stop plug **7** 3/4" (DN 20), nickel plated brass,
- Connection to the distribution system with flat sealing union nut **8** 1" (DN 25)
- Heating circuit outlets with spacing 50 mm, consisting of connector nozzle 3/4" (DN 20) AG with matching cone for Schlüter clamp connections.
- The carton also includes two distributor supports **9** with sound insulation insert to match the Schlüter distribution cabinet and an additional wall mounting set.
- integrated temperature gauge **10**, can be mounted on both sides

A matching connector set with the necessary accessories for connecting the heating circuits is available as a separate item in all distributor sizes.

A ball valve set for the supply leg and return leg must be ordered separately.

Note: See diagrams of Attachment I.1. (on page 105) for pressure loss characteristics of the HVP/DE heating circuit distributor.

Heating circuit distributor	2-circuit	3-circuit	4-circuit	5-circuit	6-circuit	7-circuit	8-circuit	9-circuit	10-circuit	11-circuit	12-circuit
Item no.	BTHVT 2 DE	BTHVT 3 DE	BTHVT 4 DE	BTHVT 5 DE	BTHVT 6 DE	BTHVT 7 DE	BTHVT 8 DE	BTHVT 9 DE	BTHVT 10 DE	BTHVT 11 DE	BTHVT 12 DE
Length without ball valve A = mm	215	245	295	347	397	447	497	547	597	647	697

The installation depth is approx. 70 mm.

Lockable volumetric flow meter Set up/locking

The Memory volumetric flow meter is integrated into the hot leg supply heating circuit distributor bar and is used to display, set up, or lock the volume flows of floor heating or cooling systems. The open volumetric flow meter shows the water volume flow in litres per minute when the circulating pump is running. The water volume can be decreased by turning the dial clockwise, while turning the dial counter-clockwise increases the water volume. The water volume can be decreased by turning the dial clockwise, while turning the dial counter-clockwise increases the water volume. Locking permanently establishes the water volume setting with no risk of losing the setting.

Setting the flow

Fig. 1 Pull off the sliding safety ring toward the top (wide, red ring)

Fig. 2 Turn the close brackets clockwise to the top

Fig. 3 Set the flow value by turning the red dial

Fig. 4 Turn the black locking cap clockwise to the stop

Fig. 5 Push the sliding safety ring down

Locking

Fig. A Turn the dial clockwise to the stop: The heating circuit is now locked.

Fig. B Turn dial counter-clockwise to the stop. The heating circuit is now open with the set up flow value.

Pressure loss diagrams

Pressure loss diagrams see page 105.



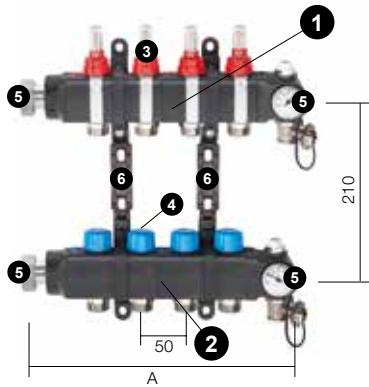
Note:

Not required if using BEKOTEC-EAHB.



Technical data – system products

Heating circuit distributor DN 25, plastic – HVP



Schlüter-BEKOTEC-THERM-HVP is a heating circuit distributor made of fibreglass-reinforced plastic. Each heating circuit distributor comprises a connection set and 1 to 12 hot leg **1** and cold leg **2** modules as well as installation brackets.

Due to the modular design, each heating circuit terminal (spacing: 50 mm) is rotatable by 180° (**A**), suitable for connection on both sides **B**, and secured by the integrated attachment elements **C**.

The hot leg module comprises a flow meter **3** with transparent scale, adjustable from 0.5 to 5.0 l/min.

The cold leg module **2** consists of an integrated thermostat valve with cover cap **4**, matching the electronically controlled Schlüter actuators.

The connection set **5** comprises the connection modules with a 1" flat-sealing union nut as well as end modules with a 1/2" fill and drain cock (rotatable) and a temperature gauge for the hot and cold leg, respectively. A matching connector set with the necessary accessories for connecting the heating circuits is available as a separate item in all distributor sizes (to be ordered separately).

A separate ball valve set DN 25 or DN 20 and an installation bracket set **6** in either a flush (KF) or raised (KH) version are available separately for installation in the distributor cabinet or on plastered walls.

See diagrams of Attachment I.I on page 105 for the pressure loss characteristics of the HVP heating circuit distributor.

Number of heating circuit distributors	2-circuit	3-circuit	4-circuit	5-circuit	6-circuit	7-circuit	8-circuit	9-circuit	10-circuit	11-circuit	12-circuit
Length without ball valve A = mm	202	252	302	352	402	452	502	552	602	652	702

Overview of BEKOTEC-THERM-HVP components



1-circuit module BT HVP



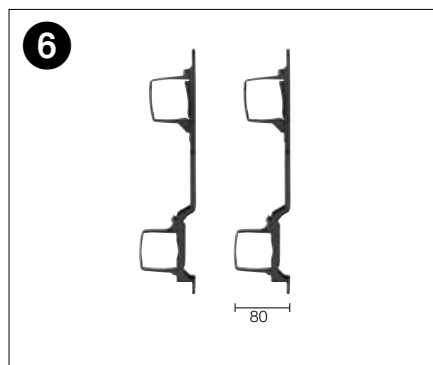
2-circuit module BT HVP



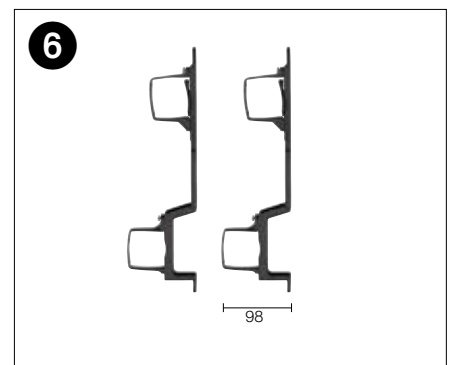
4-circuit module BT HVP



Schlüter-BEKOTEC-THERM-HVP-SET for plastic distributor



BT HVP KF 80 mm installation depth - preferred for installation in distributor cabinets



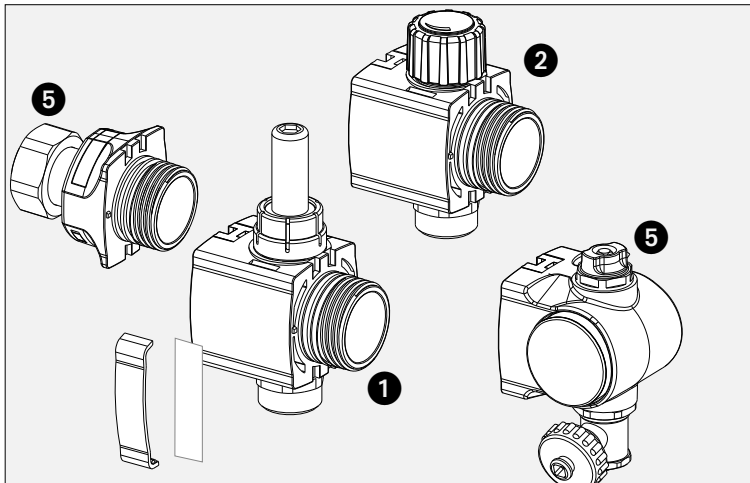
BT HVP KH 98 mm installation depth - preferred for on-wall installation



Technical data – system products

    Heating circuit distributor DN 25, plastic – HVP

Installation

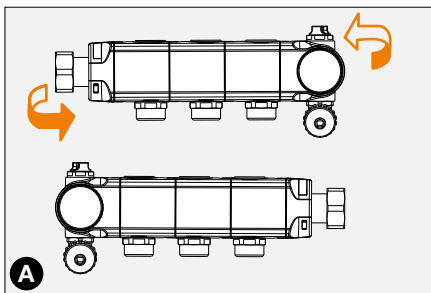


The installation of the heating circuit distributor uses the following components:

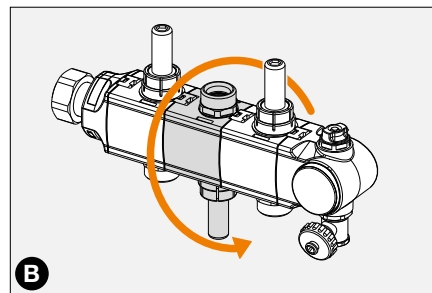
- Connector set **5**
- 1 to 12 hot leg and cold leg modules **1 + 2**
- Installation bracket **6**

Due to the modular design, each heating circuit terminal is suitable for connection on both sides **A**, rotatable by 180° **B**, and secured by the integrated attachment elements **C**.

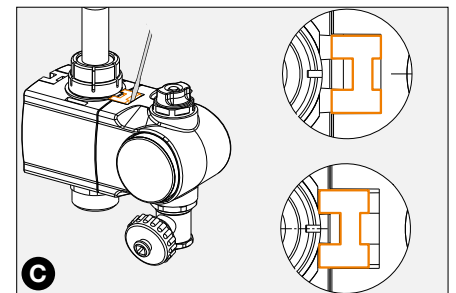
See installation instructions for heating circuit distributor DN 25 – HVP for information on further connection methods.



A Suitable for connection on both sides



B Heating circuit terminal rotatable by 180°



C Locking the attachment elements

Technical data – system products

 Heating circuit distributor DN 25, plastic – HVP

Lockable volumetric flow meter - set up/locking

The volumetric flow meter is integrated into the supply heating circuit distributor bar and is used to display, set up, or lock the volume flows of floor heating or cooling systems.

The open flow meter shows the water volume flow in litres per minute when the circulating pump is running. The water volume can be decreased by turning the dial clockwise, while turning the dial counter-clockwise increases the water volume. Locking the flow meter permanently establishes the water volume setting with no risk of losing the setting.

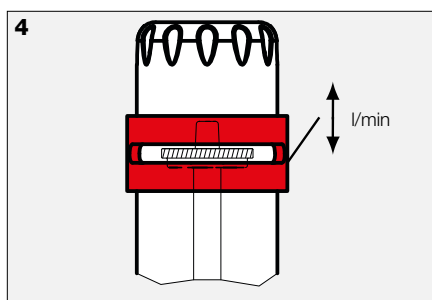
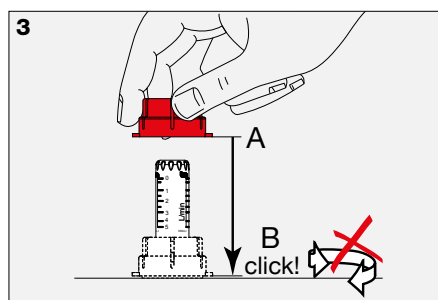
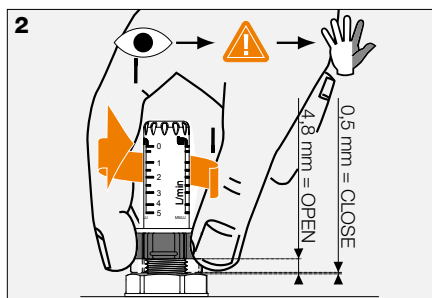
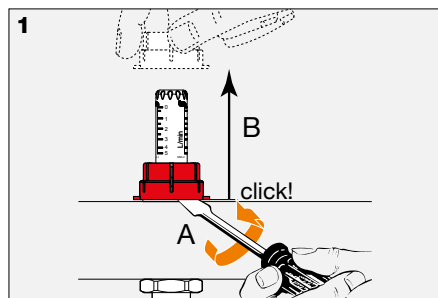
Setting the flow

Figure 1. Pull off the red sliding safety ring toward the top.

Figure 2. Set the previously calculated flow volume in l/min at the inspection window with the (black) adjustment dial.

Figure 3. Attach the red cap and push it down. This locks the settings and prevents inadvertent changes.

Figure 4. The display ring of the inspection window can be set to the target value for orientation at a later date.



i

Note:

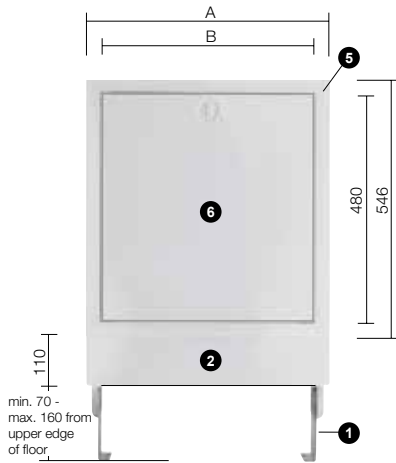
Not required if using BEKOTEC-EAHB.



Technical data – system products



Distribution cabinet for recessed wall installation – VSE

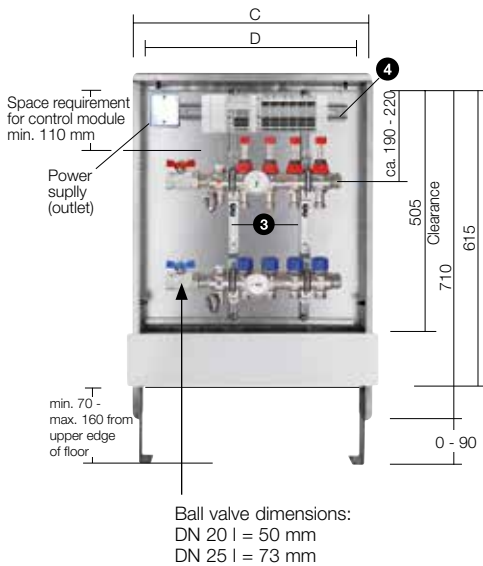


Schlüter-BEKOTEC-THERM-VSE is a distributor cabinet for recessed wall installation to fit a Schlüter-HVT/DE or -HVP heating circuit distributor and the associated control components. The distributor cabinet is made of galvanised steel with two stabilizing double edges and pre cut openings in the sidewalls for routing connector cables. The set includes:

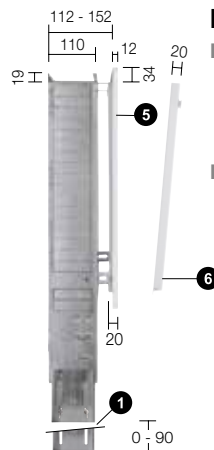
- Two lateral installation legs, height adjustable from 0 to 90 mm ①
- Screed finishing panel ②, depth adjustable and removable,
- Heating pipe track
- Documentation folder
- Adjustable attachment tracks ③ for Schlüter heating circuit distributors HVT/DE or HVP and an additional installation track ④ for simple plug in assembly of the Schlüter control modules
- Frame ⑤ and door ⑥ (packaged separately) are powder coated and are mounted subsequently at 4 insertion points, using wing screws. They are adjustable for depths from 100 mm to 150 mm. The door ⑥ is locked with a thumb turn.

Colour: Traffic white/RAL9016

Note: A lock with the corresponding keys is available as a special accessory (Art.-No. BTZS).



Ball valve dimensions:
DN 20 l = 50 mm
DN 25 l = 73 mm



Installation note

- The adjustable installation legs ① must be adjusted to the planned floor assembly. The finished floor assembly must end in front of the screed finishing panel ②.
- At least 110 mm of space should be left above the heating circuit distributor for the installation of the control modules.



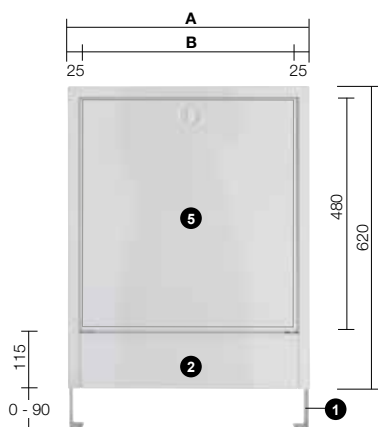
Schlüter®-BEKOTEC-THERM-VSE distributor cabinet for recessed wall installation

Distribution cabinet					Maximum number of heating circuits (Heating circuit distributor HVT/DE and HVP)			
Item no:	Outside frame A = mm	Inside frame B = mm	Outside measure of wall opening C = mm	Inside measure of cabinet D = mm	without additional installations	with vertical connection set PW*	with horizontal connection set PW*	incl. FRS
BTVSE 4 WW	513	445	490	455	4	3	0	2
BTVSE 5 WW	598	530	575	540	6	5	3	3
BTVSE 8 WW	748	680	725	690	9	8	6	5
BTVSE 11 WW	898	830	875	840	12	11	9	8
BTVSE 12 WW	1048	980	1025	990	12	12	12	12

* PW = Connection set for calorimeter.

Technical data – system products

Distributor cabinet for faced-fixed wall installation – VSV



Schlüter-BEKOTEC-THERM-VSV is a distributor cabinet for face-fixed wall installation to fit a Schlüter-HVT/DE or -HVP heating circuit distributor and the associated control components. The distributor cabinet is made of galvanised steel, and is powder coated on the inside and outside.

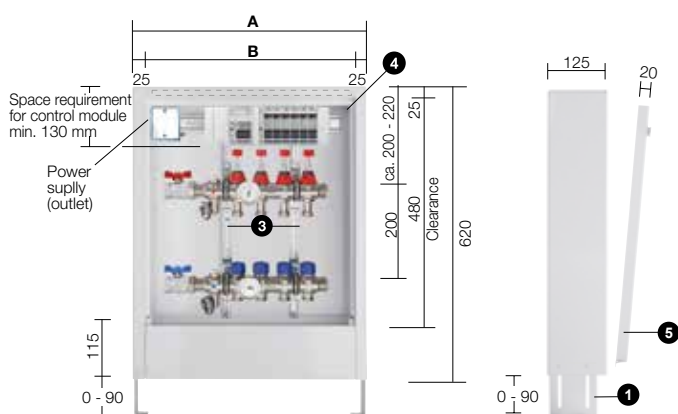
The set includes:

- Two lateral installation legs, height adjustable from 0 to 90 mm ①,
- Screed finishing panel ②, removable,
- Heating pipe track,
- Documentation folder,
- Adjustable attachment tracks ③ for Schlüter heating circuit distributors HVT/DE or HVP and an additional installation track ④ for simple plug in assembly of the Schlüter control modules.

Cabinet depth = 125 mm. The door ⑤ is locked with a thumb turn.

Colour: Traffic white/RAL 9016

Note: A lock with the corresponding keys is available as a special accessory (Art.-No. BTZS).



Installation note:

- The adjustable installation legs ① must be adjusted to the planned floor assembly. The finished floor assembly must end in front of the screed finishing panel ②.
- At least 130 mm of space should be left above the heating circuit distributor for the installation of the control modules.

Schlüter®-BEKOTEC-THERM-VSV distributor cabinet for face-fixed wall installation

Distribution cabinet			Maximum number of heating circuits (Heating circuit distributor HVT/DE and HVP)			
Art.-No.	Outside frame A = mm	Inside frame B = mm	Without additional installations	with vertical connection set PW*	with horizontal connection set PW*	FRS
BTVSV 4 VW	496	445	4	3	–	2
BTVSV 5 VW	582	531	5	4	2	3
BTVSV 8 VW	732	681	8	7	5	5
BTVSV 11 VW	882	831	11	10	8	8
BTVSV 12 VW	1032	981	12	12	11	12

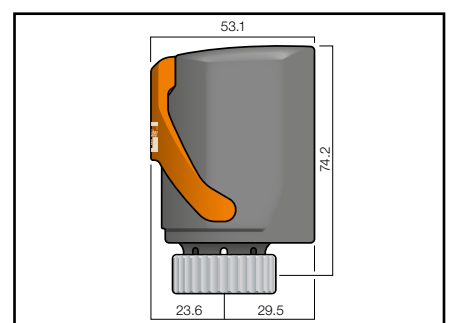
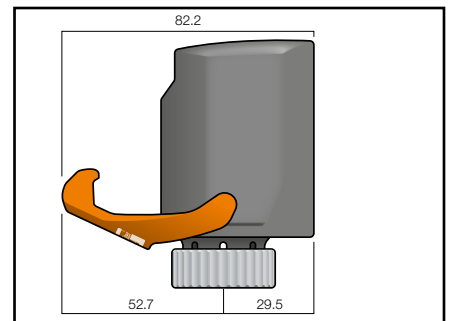
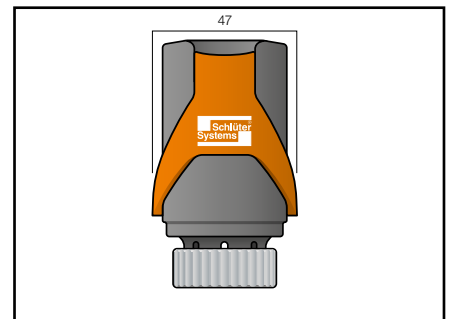
* PW = Connection set for calorimeter.



Technical data – EAHB actuator

Energy efficiency with adaptive controls

TYPE	EABH 230 V, NC, M 30 x 1.5
Version	Normally closed
Valve connector	Union nut M 30 x 1.5
Voltage	230 V AC, 50 Hz
Switch-on current	130 mA for max. 200 ms
Max. output	1.7 W
Opening and closing time	approx. 3 min
Actuating path	≥ 3.5 mm
Actuating force	110 N
EAHB closed height	10.8 mm
Valve closed height	11.8 mm
Media temperature	10 to 60 °C (supply temperature limiting is activated in the Automatic position)
Storage temperature	-25 to 60 °C
Ambient temperature	0 to 50 °C
Relative humidity	10 to 100 %, non-condensing
Protection rating/class	IP 54 / II
Installation position	Can be installed in any position
Connection cable	Flexible, black, 1 m with ferrules
Supply line sensor cable	Flexible, black with red stripe, 0.4 m
Return line sensor wire	Flexible, black with blue stripe, 0.4 m
Temperature sensors	NTC 10k (at 25 °C), clip for outer pipe diameter 10 to 20 mm
Folding lever	toward front Manual valve opening



For further data and information, please refer to the installation or operating instructions



Note:

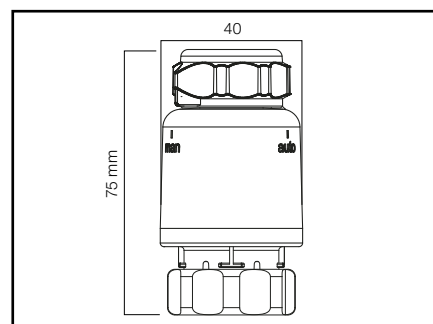
The installation of string control valves or other adjustment features may be required depending on the hydronic properties of the distribution network. The EAHB adjusts the surface heating circuits of a distributor and is not suitable for the hydronic balancing of multiple heating circuit distributors or heating strings.

The function of adaptive hydronic balancing does not replace the heating capacity calculation required for rooms or buildings according to DIN EN 12831.



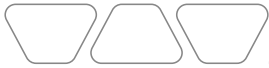
Technical data – ESA actuator

TYPE	ESA 230 V, NC, M 30 x 1.5
Version	Normally closed
Valve connector	Union nut M 30 x 1.5
Voltage	230 V AC, 50 Hz
Max. output	2.0 W
Opening and closing time	≥ approx. 5 min
Actuating path	≥ 3.2 mm
Actuating force	90 N
Closed height	10.8 mm
First Open function	Re-open function (J)
Media temperature	10 to 60 °C (supply temperature limiting is activated in the Automatic position)
Storage temperature	-25 to 60 °C
Ambient temperature	0 to 50 °C
Protection rating/class	IP 54 / II
Installation position	Can be installed in any position
Connection cable	Flexible, grey, 1 m with ferrules



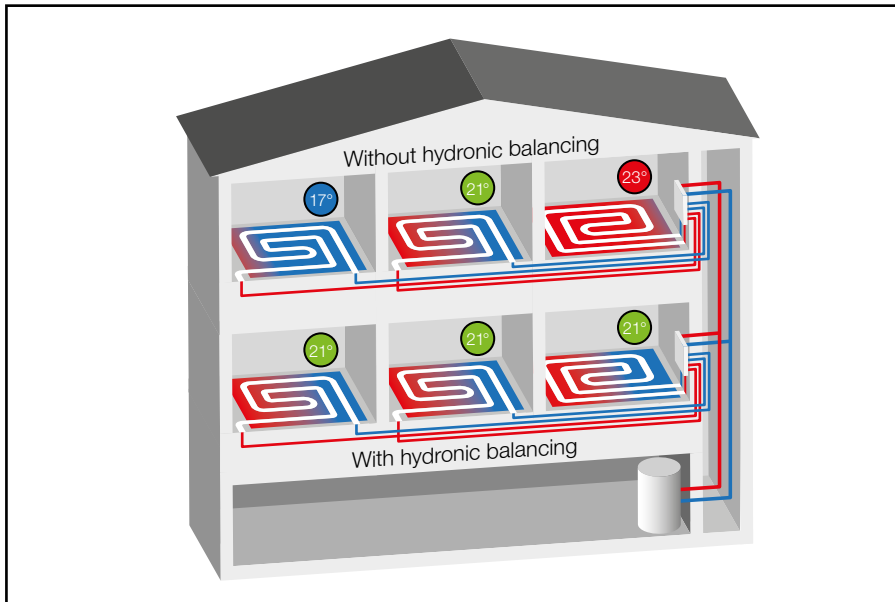
Note:

The ESA actuator features a "First" and a "Re-open" function, which means it can be operated without current (for the start-up phase or during maintenance work).
The visual function display show the operating status "Automatic".
The actuator is normally closed in Automatic mode.





Schlüter®-BEKOTEC-THERM - hydronic balancing

What is hydronic balancing?



The efficiency of a heating or cooling system depends largely on its hydronic balancing. Since adjustment provides every heating circuit with exactly the right supply volume, it makes the heating system especially responsive and energy efficient. Water in a heating system always uses the path of least resistance, which means it will flow more easily through short heating circuits than long ones. If this causes overly warm water to flow back to the boiler, the heat generated in the boiler can no longer be absorbed by the water and the boiler shuts off. As a result, a heating system without hydronic balancing "cycles" too much and becomes inefficient.

There are various options for hydronic balancing. In addition to conventional static mode, there is also intelligent adaptive balancing. The below table includes further explanations:

	Required distributor setting	Calculation required	Adaptive balancing	Easy to implement	Self learning
	✓	✓			
			✓	✓	✓





Technical data – system products

Room temperature control technology

1.1

ER/WL
Room sensors for heating/cooling
Wireless version



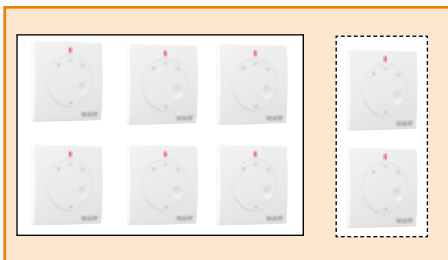
Schlüter control technology allows for individual, time-controlled room temperature management for heating and cooling. As part of a research project, the renowned Dresden Institute for Building Systems Engineering Research (ITG) reached the following conclusions in a comparison of the thin layer floor heating system Schlüter-BEKOTEC-THERM with conventional radiant floor heating systems:

The use of efficient control technology and the quick response time of the BEKOTEC-THERM system can lead to additional **energy savings of up to 9.5 %**. In particular, this can be achieved with temperature reductions during night hours, which cannot be sufficiently implemented with standard radiant floor heating systems due to their large screed volume. Thanks to the quick responsiveness of BEKOTEC-THERM, the ceramic thermal comfort floor therefore meets the requirement of the German Buildings Energy Act (GEG) for highly controllable systems.

Additional technical documentation about the individual control components is available online at bekotec-therm.com.

1.2

ER
Room sensors for heating/cooling 5 V DC (SELV)
Wired version
Cable recommendation: J-Y (St) Y 2 x 2 x 0.6 mm
(red, black, white, yellow - see note for 1.2)



2.2

EET
Timer unit
(optional)



2.1

EBC
Control base module



EAR
Connection module,
wired
for 6 room sensors

2.4



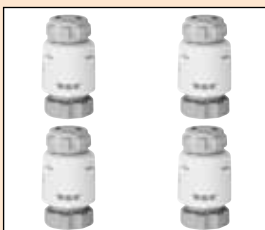
EAR WL
Connection module, wireless
for 6 WL room sensors

2.3



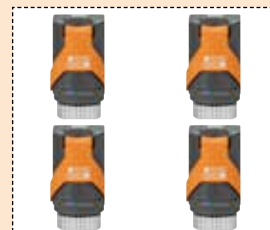
3

ESA/EAHB
Actuators 230 V



◀ **ESA – actuator**
actuator for static hydronic
balancing

▶ **EAHB – actuator**
for adaptive
hydronic balancing



Components of control technology

1

Room sensors

The following two variants are available:

- Room sensor WL (wireless)
- Room sensor, DC 5 V (wired)

1.1

ER/WL room sensor for heating/cooling WL - Wireless

Unrestricted, flexible use for building and structural technology.

The wireless room sensor transmits the current room temperature and the set-point value to the room sensor connection module WL.

1.2

ER room sensor for heating/cooling

The wired version of room sensor transmits the current room temperature and the set-point value to the connection modules. *See note regarding cable installation!*

The module is operated with 5 V DC of safety extra-low voltage (SELV) via the base module in combination with the room sensor connection module.

The operating state "heating/cooling" is displayed by the "red/blue" colour change of a light-emitting diode (LED).

For both room sensor types, the temperature set-point is adjustable from 8 to 30 °C and can be restricted below the dial with set-point limiters.

The time-controlled temperature reduction of 4 °C is effected by a timer unit at the base module.

Note:

Only cables with maximum wire cross-sections of 0.8 mm² may be connected to wired room sensors.

Cable recommendation: J-Y (St) Y 2 x 2 x 0.6 mm (red, black, white, yellow)

ET timer unit

The timer unit can be plugged directly into the base module after programming. This effects a temperature reduction of 4 °C during the night.

Functions:

- Time recording/programming: date, time weekdays (century calendar)
- Time recording/programming of temperature reduction
- Setting the deferred pump shut-down
- Setting the valve and pump protection function

2.3

EAR/WL room sensor connection module - Wireless

For assigning 2 or 6 wireless room sensors ER/WL. The connection modules EAR 2 WL for 2 or EAR 6 WL for 6 room sensors can be combined by simply plugging them together in order to adjust the number of rooms to be regulated or to adjust and expand the actuators/heating circuits to be assigned.

The EBC base model supplies the voltage of 230 V for the actuators.

2.4

EAR room sensor connection module

For connecting 2 or 6 room sensors ER.

The connection modules EAR 2 for 2 or EAR 6 for 6 room sensors can be combined by simply plugging them together in order to adjust the number of rooms to be regulated or to adjust and expand the actuators/heating circuits to be assigned.

The voltage of 5 V DC (SELV) for the room sensors and 230 V for the actuators is supplied by the EBC base modules.

Wired and wireless modules can be combined.

3

ESA/EAHB actuators 230 V

The ESA actuators typically regulate the flow at the individual cold leg valves of the heating circuit distributor based on thermostat settings. The static hydronic balancing occurs at the distributor. The EAHB actuators for intelligent, adaptive hydronic balancing allow for optimum energy efficiency depending on the hot leg and cold leg temperature of the heating circuit.



2.3

EAR/WL
Wireless connection module for 2 room sensors WL



2.4

EAR
Wired connection module for 2 room sensors

2.1

EBC "Control" base module

The base module is used for both wireless and/or wired connection modules, which makes it easy to realise mixed installations and upgrades.

The base module supplies the corresponding room sensors of the wired version with 5 V DC safety extra-low voltage (SELV) via the corresponding connection modules. The connected actuators are supplied with 230 V AC via the connection modules.

Additional functions:

- Slot for optional timer unit
- Pump circuit (relay) "Heating"
- Pump circuit (relay) "Cooling"
- Cascade output for connecting the heating/cooling output to additional base modules
- Input for "heating/cooling" switch

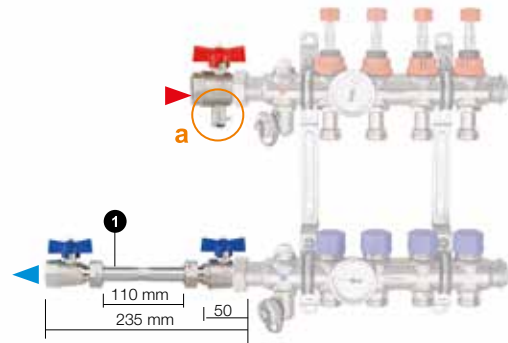
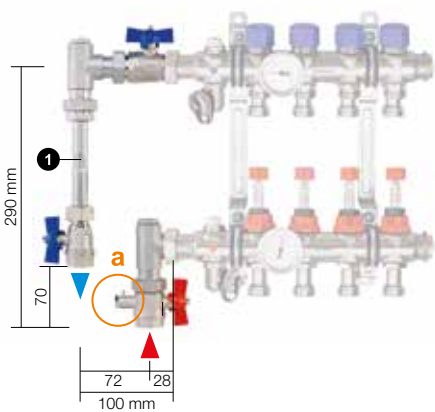
2.2



Technical data – system products

Connection set for calorimeter – PW

Schlüter-BEKOTEC-THERM-PW is a connection set for retrofitting a calorimeter, which is in part pre-assembled. Calorimeters are installed to determine energy consumption and to help calculate the heating costs with a connected distributor (e.g., HVT/DE or HVP). For this purpose, the spacer pipe is removed and replaced with a calorimeter with a length of 110 mm. The counter determines the energy consumption on the basis of the water flow and the temperature differences.



BTZPW 20 V vertical consists of:

- Spacer pipe ❶ 110 mm, with external thread 3/4" (DN 20)
- 2 angles 90°
- 2 ball valves 3/4" (DN 20)
- 1 ball valve 3/4" (DN 20) with sensor connection for immersion sensors (5 mm, M10 x 1)
- Separate sensor connector 1/2" for immersion sensors (5 mm, M10 x 1)
- 2 flat seals 1" (DN 25)

BTZPW 20 H horizontal consists of:

- Spacer pipe ❶ 110 mm, with external thread 3/4" (DN 20)
- 2 ball valves 3/4" (DN 20)
- 1 ball valve 3/4" (DN 20) with sensor connection for immersion sensors (5 mm, M10 x 1)
- Separate sensor connector 1/2" for immersion sensors (5 mm, M10 x 1)
- 2 flat seals 1" (DN 25)

Note

The installation follows the flow direction. The connection set for the measuring mechanism of the calorimeter is usually connected to the return flow. Depending on the connecting situation, it may be necessary to install the return distributor bar above or below.

The installation instructions for the calorimeter must be observed. The space requirements for the selection of the distributor cabinet must be taken into account (see table on pages 56 – 57).

PW= connection set for calorimeter

Item "a"

Measuring position for the supply temperature

For the installation of the immersion sleeves, plug "a" is removed from the ball valve supply leg. The immersion sleeve of the calorimeter is now installed in this space.

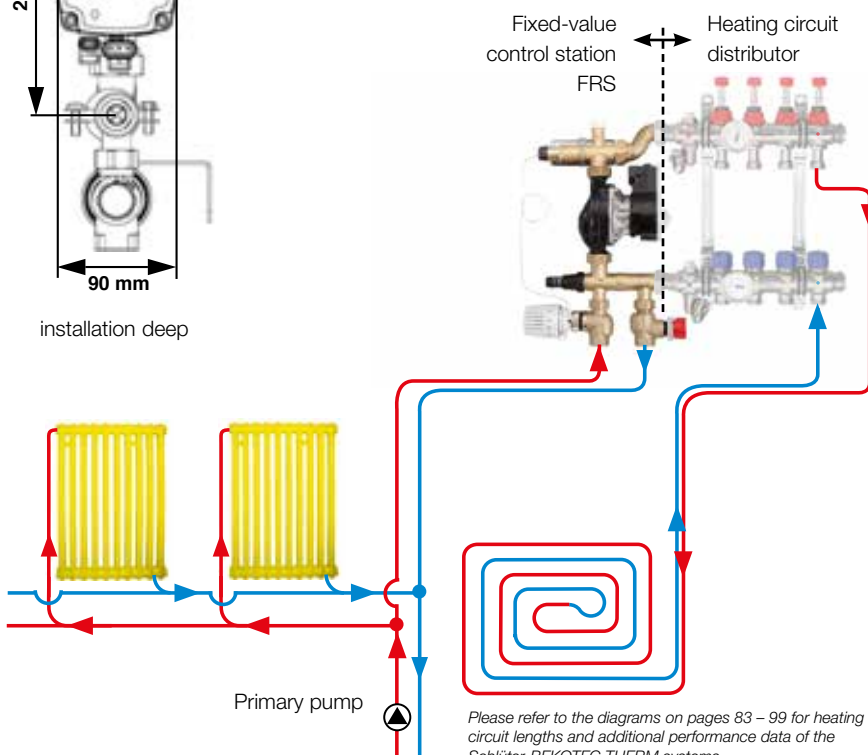
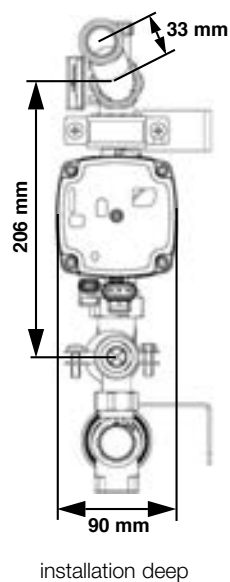
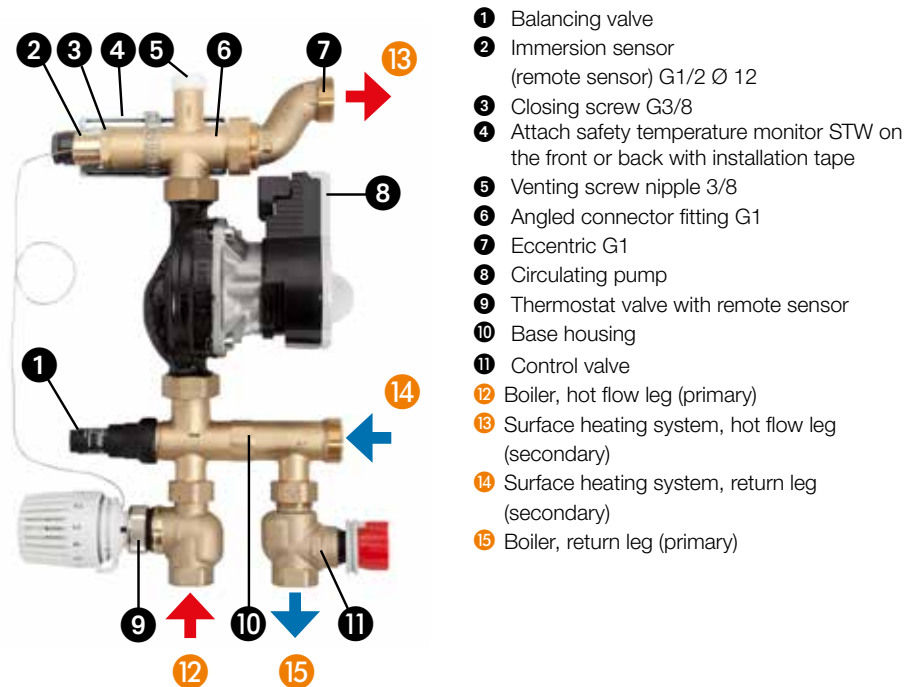
i

Note:

The data must match the specifications of the corresponding calorimeter brand.

Technical data – system products

Using the fixed-value control station (FRS)



Schlüter-BEKOTEC-THERM-FRS is a simple mixing and control system to supply the Schlüter-BEKOTEC-THERM ceramic thermal comfort floor with the required low supply temperatures.

By mixing heating water from hotter parts of the heating system, for example from the radiator volume, the system is able to provide the BEKOTEC heating circuit distributors with the required low supply temperatures.

The number of heating circuits for installation in on-wall or concealed distributor cabinets is limited to a maximum of 12.

- This solution is ideal if only a portion of the space, or individual floor levels, have heated floors, while other areas are heated with radiators.

- The fixed-value control station BEKOTEC-THERM-FRS can also be used to install a Schlüter-BEKOTEC-THERM ceramic thermal comfort floor in individual apartments.

BEKOTEC-THERM-FRS is ideally suited for combination with an existing, shared pipe network that is designed for the higher supply temperatures of radiator heaters. This enables the easy implementation of renovation projects with the Schlüter-BEKOTEC-THERM ceramic thermal comfort floor (see *sample design calculation* on page 63).

The BEKOTEC-THERM heating circuits are supplied separately by an integrated high efficiency pump.

The additionally integrated, adjustable bypass enables the flawless function of the pump even with very low volume flow in single heating circuits.

Note:

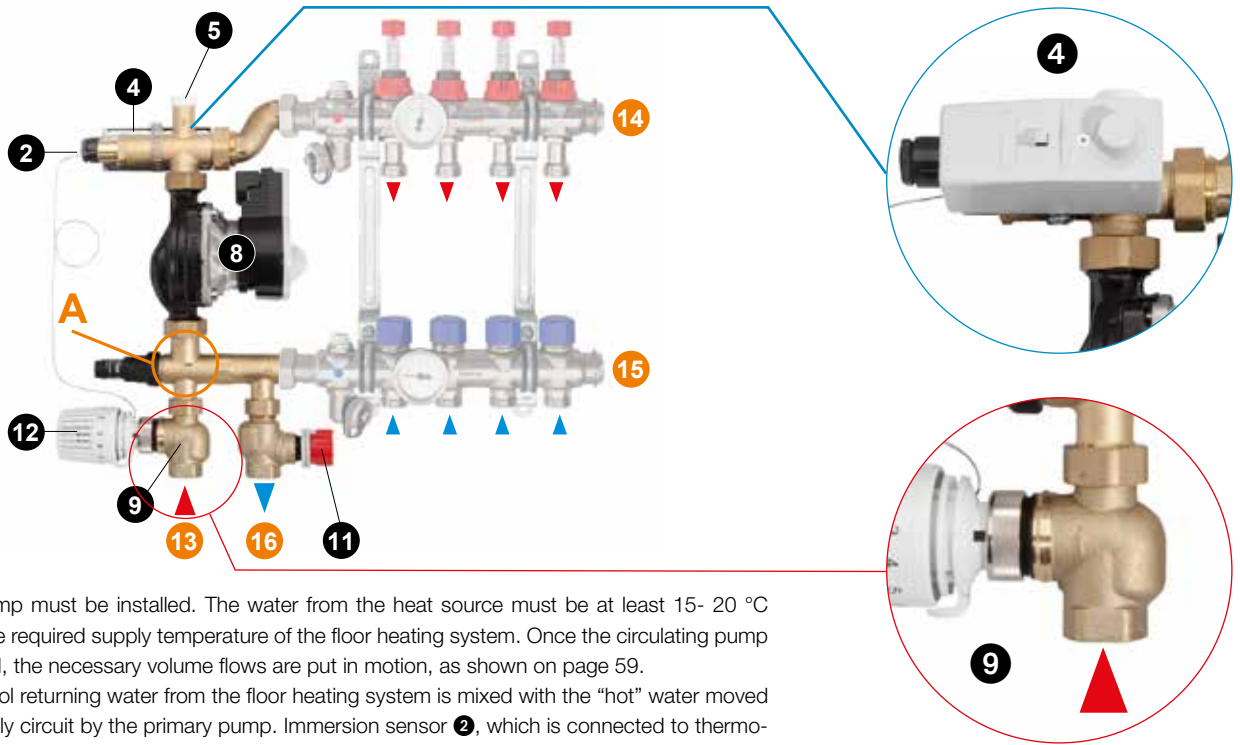
Prior to installation, a qualified expert must review the control technology and hydraulic installations. A supply pump (primary pump) must provide the supply for the water temperature control unit. The installation and assembly instructions of the manufacturer must be observed. We recommend a control mechanism via the pump outlet at the Schlüter-Control base module to the pump switch (see page 68).



Technical data – high efficiency pump



Fixed-value control station (FRS) - Function and operation



A primary pump must be installed. The water from the heat source must be at least 15- 20 °C hotter than the required supply temperature of the floor heating system. Once the circulating pump **8** is activated, the necessary volume flows are put in motion, as shown on page 59.

At point **A**, cool returning water from the floor heating system is mixed with the “hot” water moved from the supply circuit by the primary pump. Immersion sensor **2**, which is connected to thermostat **12** with a capillary line, records the actual temperature.

The supply temperature set at thermostat L is directly compared to the temperature of the immersion sensor **2**. If necessary, thermostat valve **9** mixes in water for correction.

Next, the water enters the supply leg **14** of the Schlüter-BEKOTEC-THERM system and passes through the individual heating circuits. Once the heat has been transferred, the water flows back through the heating circuit return leg **15**. When the heating water in the floor heating circuit drops below the temperature set at thermostat **12**, part of the returning water is sent to the heat source **16** for reheating.

“Hot” supply water from the radiator circuit **13** is mixed in at point **A**.

The amount of supply water from the radiator circuit **13** depends on the quantity of water returned to the heat source for reheating. The control valve **11** balances the heating circuit.

A pre-wired safety temperature monitor **4** is supplied with the fixed-value control station. It can be installed on the back or front side of the hot leg above the pump. When the maximum supply temperature (55 °C) is exceeded, it switches the circulating pump (8) off. The circulating pump **8** provides the BEKOTEC-THERM heating circuits with optimal heating water volumes, which saves electricity.

- 2** Immersion sensor (remote sensor) G1/2 Ø 12
- 4** Attach safety temperature monitor STW on the front or back with installation tape
- 5** Venting screw nipple 3/8
- 8** Circulating pump
- 9** Thermostat valve with remote sensor
- 11** Control valve
- 12** Thermostat 20-55°C (scale 1-9)
- 13** Boiler, hot flow leg (primary) *
- 14** Surface heating system, hot flow leg (secondary)
- 15** Surface heating system, return leg (secondary)
- 16** Boiler, return leg (primary) **

*** Primary hot flow leg:**

with high temperature from heat source

****Primary cold leg:**

for supplementary heating by heat source

Note:

Prior to installation, the control technology and hydraulic installations must be reviewed by a qualified engineer. All work associated with installation, start up, maintenance, and repair should exclusively be performed by authorised personnel.

The assembly instructions supplied with the product must be observed. The system must be disconnected from all voltage prior to starting the installation.

Set up and start up

After the installation, fill the heating system in the flow direction of the flow meters and vent it at the heating circuit distributor **5** (see diagram on page 61).

Then perform a pressure test according to the specified procedure - see page 114, Attachment IV. Set the pump to constant differential pressure control Δp .

Please refer to the supplied operating instructions for further information on start up! (see pump diagram in Attachment I.I. on page 106).



Note:

Do not heat the screed and floor covering during the installation. The shut-off is ensured by closing the ball valves and switching off the power.

For information about cure heating, see page 82.

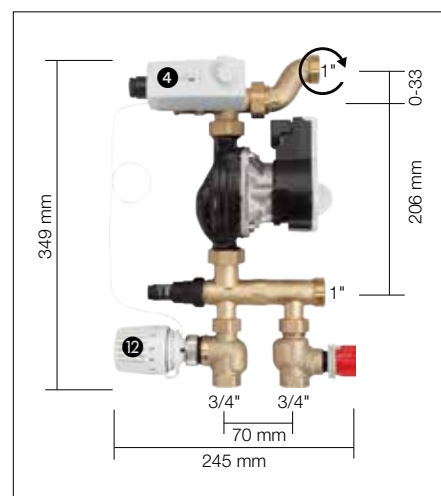
Set the temperature control **12** to the desired temperature. The temperature change from scale line to scale line is approximately 5 °C. The recommended setting range of the temperature control for the ceramic thermal comfort floor is between 25 and approx. 35 °C \pm 2 - 4.

Scale lines 1 through 9 at the thermostat correspond to 20 to approx. 55 °C.



Note:

The safety temperature monitor **4** is activated when the supply temperature exceeds \geq 55 °C and switches the pump off. Pump operation resumes when the temperature drops below $<$ 55 °C. It can be installed on the front or back side.



Technical data

Parameter	Value
General data	
Weight	4.8 kg
Fittings material	Brass/plastic
System pressure	Max. 10 bar
Temperature application range	
Environment	0/+60 °C
Primary circuit	Max. 75 °C
Secondary circuit	20 – 55 °C
Pressure loss	
Thermostat valve	Kvs = 4.0 m ³ /h
Control valve	Kvs = 2.7 m ³ /h

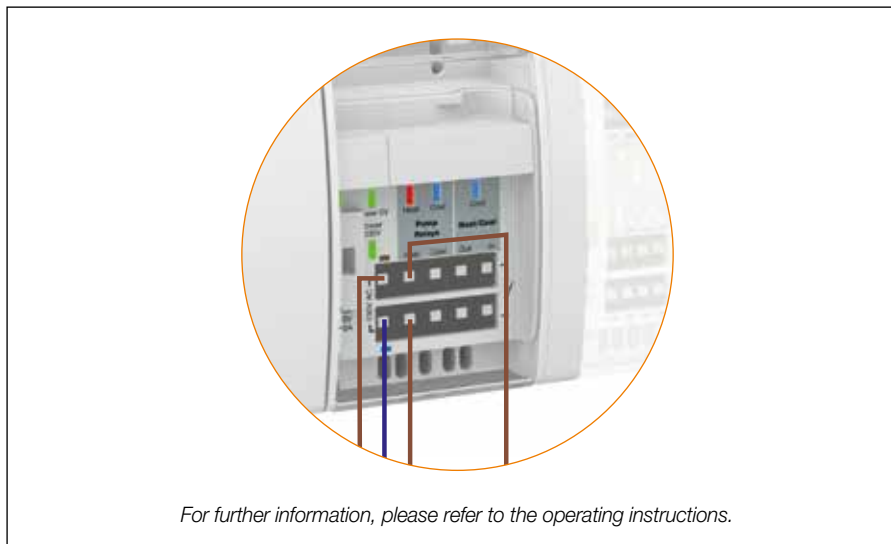
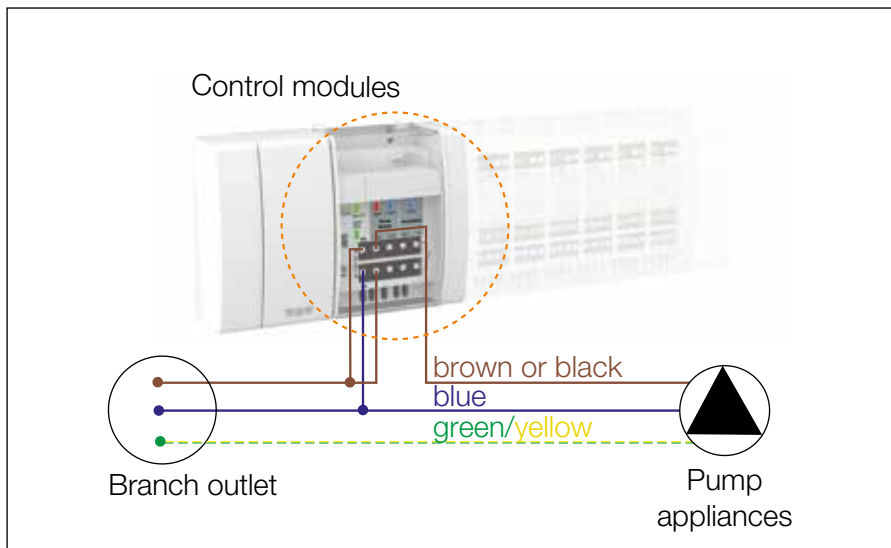


Technical data – system products

    Set up and start up – Technical data – Power supply – FRS

Power supply

The electrical cable for the water temperature control of the supply temperature is about 1 m long. A corresponding 230 V/50 Hz voltage supply must be set up in the distributor cabinet, either for in wall installation or in the area of the distributor.



Note:

A pump control/shut-down feature must be installed.

The pump switch deactivates the pump of the fixed supply temperature control when all actuators at the heating circuit distributor are closed. This variation ensures the energy efficient operation of the water temperature control unit. We recommend using the Schlüter base module with pump switch.

Technical data – system products



Fixed-value control station FRS - design and layout

Due to the high temperature difference (splay) between the primary and secondary circuit (radiator floor heating circuit), the “hot” water volume, which is fed from mixing point **A** and returned to the heat source by way of the three way distributor valve, is much smaller than the total water quantity for the floor heating system.

It is important to determine the volumes for the planned splay to define the dimensions of the lines and the hydraulic conditions of the system. The water volume of the heating circuit distributor for the Schlüter-BEKOTEC-THERM ceramic thermal comfort floor is shown in the calculations for the ceramic thermal comfort floor. If these calculations are not available, the following equation may be used on the basis of the system temperatures employed for the design:

where: Q_{FBH} = Total heat output of the
Schlüter-BEKOTEC-THERM ceramic thermal comfort floor [W]
 ϑ_{VFBH} = Supply temperature, secondary circuit
(Schlüter-BEKOTEC-THERM ceramic thermal comfort floor)
 ϑ_{RFBH} = Return temperature, secondary circuit
(Schlüter-BEKOTEC-THERM ceramic thermal comfort floor)

Example:

Q_{FBH} = Total heat output of the
Schlüter-BEKOTEC-THERM ceramic thermal comfort floor = 5,000 W
 ϑ_{VFBH} = Supply temperature, secondary circuit
(Schlüter-BEKOTEC-THERM ceramic thermal comfort floor) = 35 °C
 ϑ_{RFBH} = Return temperature, secondary circuit
(Schlüter-BEKOTEC-THERM ceramic thermal comfort floor) = 28 °C

$$m_{FBH} = \frac{Q_{FBH}}{(\vartheta_{VFBH} - \vartheta_{RFBH}) \cdot 1.163} \quad [\text{kg/h}]$$

$$m_{FBH} = \frac{5000 \text{ W}}{(35 \text{ °C} - 28 \text{ °C}) \cdot 1.163} = \underline{\underline{615 \text{ kg/h}}}$$

This water quantity with the pressure loss of the least favourable BEKOTEC-THERM heating circuit provides the base data for setting the pump (see pump characteristics). Since the required output also has to come from the primary circuit (radiator circuit), the water quantities for the primary circuit have to be calculated as follows:

where: Q_{FBH} = Total output of the Schlüter-BEKOTEC-THERM
ceramic thermal comfort floor
 ϑ_{VHK} = Supply temperature, primary circuit (radiator)
 ϑ_{RFBH} = Return temperature, secondary circuit (floor heating)
(Schlüter-BEKOTEC-THERM ceramic thermal comfort floor)

Beispiel:

Q_{FBH} = Total heat output of the
Schlüter-BEKOTEC-THERM ceramic thermal comfort floor = 5,000 W
 ϑ_{VHK} = Supply temperature, primary circuit (radiator) = 65 °C
 ϑ_{RFBH} = Return temperature, secondary circuit (floor heating) = 28 °C
(Schlüter-BEKOTEC-THERM ceramic thermal comfort floor)

$$m_{HK} = \frac{Q_{FBH}}{(\vartheta_{VHK} - \vartheta_{RFBH}) \cdot 1.163} \quad [\text{kg/h}]$$

$$m_{HK} = \frac{5000 \text{ W}}{(65 \text{ °C} - 28 \text{ °C}) \cdot 1.163} = \underline{\underline{117 \text{ kg/h}}}$$

Due to the larger splay, the primary water volume will always be smaller than the sum of the total volume of the connected BEKOTEC-THERM heating circuits.

This makes it possible to utilise the very small pipe bores of the individual radiators for connecting Schlüter-BEKOTEC-THERM-FRS.

In the case of the data assumed for this example, a supply line with an interior diameter of 13 mm (copper pipe with Ø 15 x 1 mm) may be sufficient, considering the hydraulic conditions in the primary circuit.



Floor heating for single heating circuits

Return temperature limit valve – RTB/RTBR

Schlüter-BEKOTEC-THERM-RTB/-RTBR are return temperature limit valves for on-wall/concealed installation. They are used in cases where the required low system temperatures for a heating circuit of the Schlüter-BEKOTEC-THERM ceramic thermal comfort floor are not protected with suitable temperature limiters, mixing valves or the heating system.

They can be installed for the systematic temperature control of a secondary heating system for the floor.

The unit is installed in combination with a heating system, using a supply temperature of max. 65 °C. Prior to installation, the control technology and hydraulic installations must be reviewed by a qualified engineer.



Schlüter®-BEKOTEC-THERM-RTB – Return temperature limit valve



Schlüter®-BEKOTEC-THERM-RTBR –
Combined return temperature limit valve and room temperature control



Floor heating for individual heating circuits

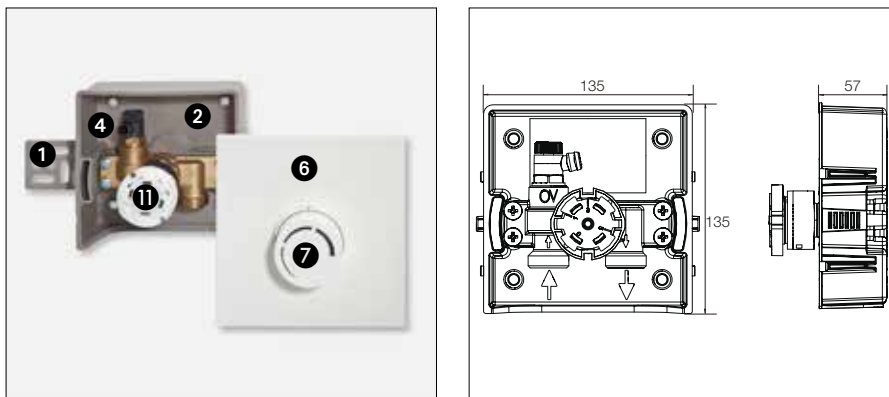
Functions – RTB

Schlüter-BEKOTEC-THERM-RTB limits the return temperature of a heating circuit. It is operated in a room with an additional radiator. Select the installation position in such a way that the heating water first flows through the Schlüter-BEKOTEC-THERM heating circuit and then through the BEKOTEC-THERM-RTB return temperature limit valve. The heating medium cools down on its way from the floor surface to the return temperature limit valve. In this way, the floor temperature covers the basic heat requirements, while the radiator regulates the room temperature.

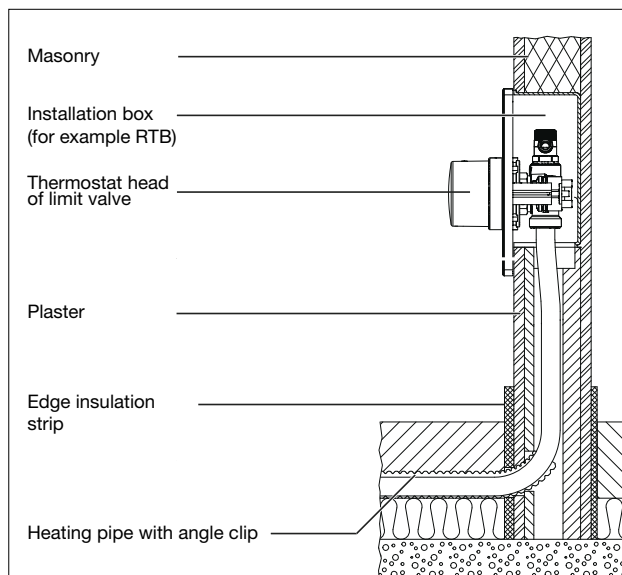
Depending on the temperature, the valve and sensor element in the thermostat **11** regulates and limits the flow through the BEKOTEC-THERM-RTB valve.

The return temperature is set at the thermostat dial **7** and can be adjusted from +20 °C to +40 °C. Changing the dial settings regulates the floor surface temperature.

Schlüter®-BEKOTEC-THERM-RTB



- 1** Attachment angle
- 2** Installation box
- 4** Flushing and venting valve
- 6** Front panel
- 7** Dial
- 11** Thermostat valve RTB (sensor element)



Note:

Prior to installation, the control technology and hydraulic installations must be reviewed by a qualified engineer. The installation and assembly instructions of the manufacturer must be observed. Please contact our Technical Department for further information.

Floor heating for individual heating circuits

Functions – RTBR

Schlüter-BEKOTEC-THERM-RTBR limits the return temperature of a heating circuit and regulates the room temperature.

It is operated in a room with a radiator. Installation in rooms without additional radiators is feasible with consideration for the required basic heat demand and the applicable standards. Select the installation position in such a way that the heating water first flows through the Schlüter-BEKOTEC-THERM heating circuit and then through the BEKOTEC-THERM-RTBR room temperature control valve.

The heating medium cools down on its way from the floor surface to the RTBR.

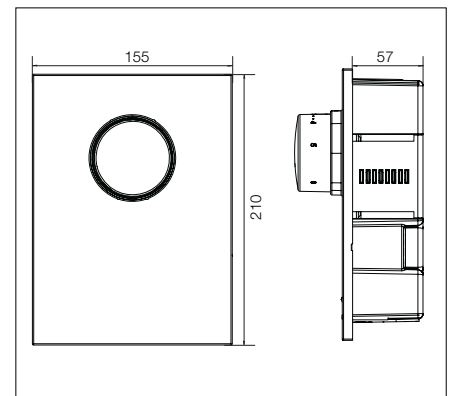
The return temperature is pre-set at the RTBR valve dial ③ and can be adjusted from +20 °C to +40 °C.

The dial ⑦ of BEKOTEC-THERM-RTBR also features an integrated room sensor for precise adjustment of the desired room temperature from +7 °C to +28 °C. Changing the dial settings affects the floor surface temperature and, accordingly, the room temperature.

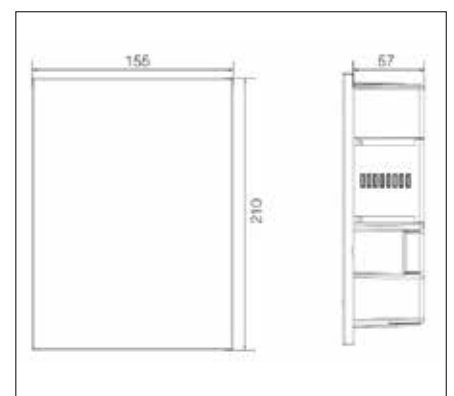
Schlüter-BEKOTEC-THERM-RTBES set comprises a return temperature limit valve with a closed front panel, a thermoelectric actuator ESA2 230V and a DITRA-HEAT-E controller. The actuator is installed on the return temperature limiter in the wall connection box. The Schlüter-DITRA-HEAT-E controller uses the actuator to regulate the room temperature and enables timed temperature control.



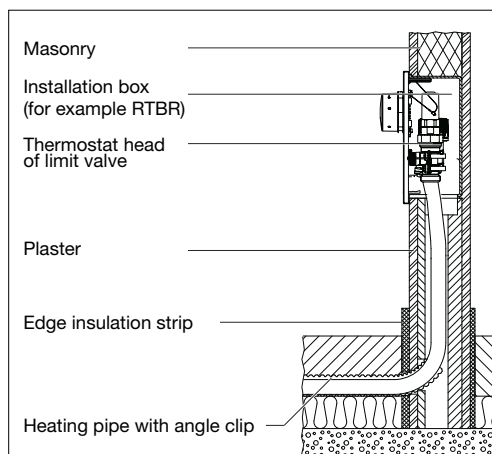
- ① Attachment angle
- ② Installation box
- ③ Return temperature limit valve
- ④ Flushing and venting valve
- ⑥ Front panel
- ⑦ Dial
- ⑧ Thermostatic set piston



- ① Attachment angle
- ② Installation box
- ③ Return temperature limit valve
- ④ Flushing and venting valve
- ⑥ Front panel
- ⑫ ESA2 230V
- ⑬ DITRA-HEAT-E-Controller



See page 118 for connection diagram.



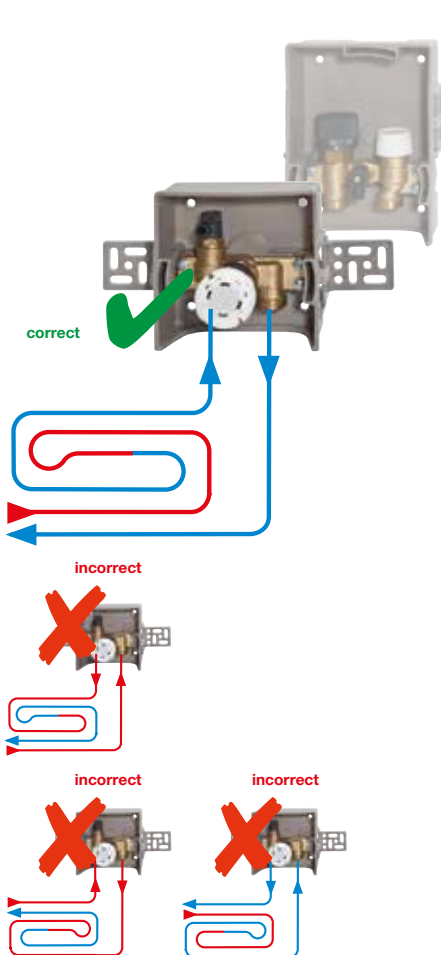
Note:

Prior to installation, the control technology and hydraulic installations must be reviewed by a qualified engineer. The installation and assembly instructions of the manufacturer must be observed. Please contact our Technical Department for further information.



Floor heating for individual heating circuits

Installation – RTB/RTBR



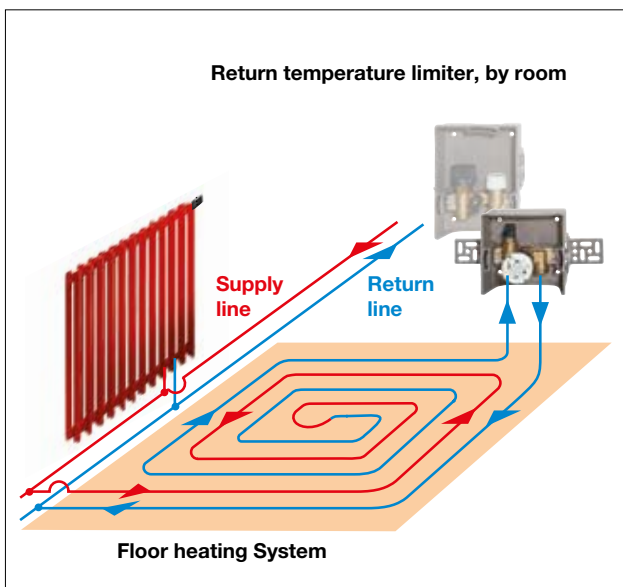
- Do not position the Schlüter-BEKOTEC-THERM-RTB/RTBR thermostat in direct sunlight or near to other heat sources e.g. radiators.
- The unit is installed at least 20 cm above the finished floor, measured from the bottom edge of the installation box, which is open on the underside. We recommend an installation height of approx. 1.20 m or higher to record the room temperature (RTBR) at a convenient location. Align the front edge flush with the finished wall covering. Use the supplied installation angles to align and attach the installation box. They are installed on the side.
- Slide on the protective covering to keep the valve clean.
- The final attachment is made with plaster or mortar.
- Once the connection to the supply line of the dual pipe heating system has been made, the heating circuit must be installed in a coiled pattern (see pages 38, 41, 44 or 47). The self-sealing connection fitting BTZ 2 AN... or the connector angle BTZ 2 AW... with ½" external threading can be used for connecting the heating circuit to the supply and return line (use special valves and connectors for single pipe systems).
- The return temperature limiter valve is connected at the end of the heating circuit, using the clamp attachments for Schlüter-BEKOTEC-THERM (art. no. BTZ2KV ...).
- In a next step, a direct connection from the valve to the return line of the dual pipe heating system is established. The self-sealing connection fitting BTZ 2 AN ... or the connector angle BTZ 2 AW ... with ½" external threading can be used for connecting the heating circuit to the supply and return line.
- The heating system is then filled and vented at the valve.
- The Schlüter-BEKOTEC-THERM ceramic thermal comfort floor is now ready to perform a pressure test according to the procedure on page 114.
- Set the white front panel in and align it.
- For information about settings and start up, see page 78.



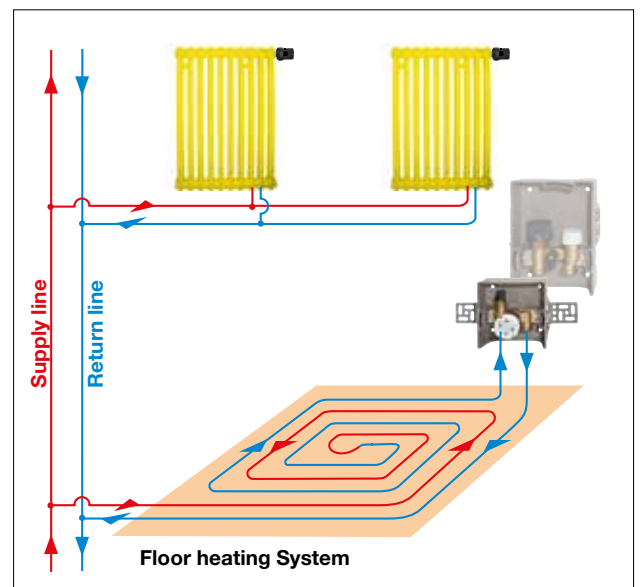
Connector elements:

Further information on the above-listed connector elements can be found in the current Schlüter-BEKOTEC-THERM illustrated price list.

Integrating a heating circuit into a floor level distribution







Integrating a heating circuit into a riser



Heating circuit lengths and output data

... in conjunction with the Schlüter-BEKOTEC-THERM-RTB/RTBR return temperature limit valve

Approximate values for bathrooms with interior temperatures of **24 °C** and an average return temperature setting of approx. 35 °C, with a minimum supply temperature of **min. 50 °C**.

System pipe dimension	Installation spacing	Max. heating circuit length	Max. heating area	Spec. Heat output*	Pressure loss incl. limit valve	Volume flow
mm	mm	m	m ²	W/m ²	mbar	kg/h
 16 x 2 mm for BEKOTEC-EN/P and EN/PF	75	90	6.5	95	40	45
	150	90	12	80	65	55
 14 x 2 mm for BEKOTEC-EN 23 F	75	80	5.5	95	65	41
	150	80	11	80	85	50
 12 x 1.5 mm for BEKOTEC-EN 18 FTS	100	60	5.5	90	70	30
	150	60	8.5	80	85	36
 10 x 1.3 mm for BEKOTEC-EN 12 FK	100	55	5.0	90	60	49
	150	55	7.5	80	85	31

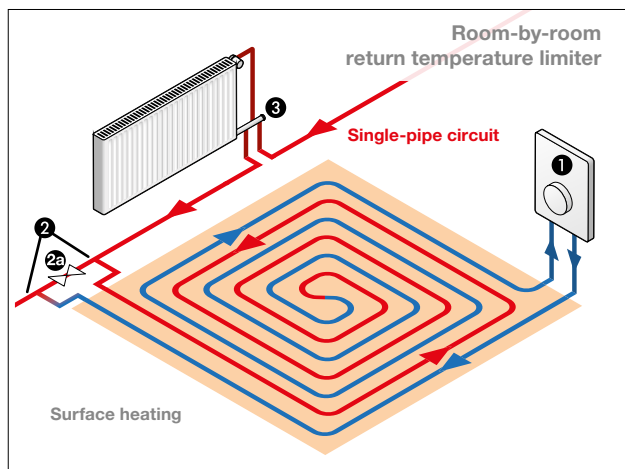
* Output data apply to ceramic surface coverings

For additional performance data of the Schlüter-BEKOTEC-THERM systems, see the diagrams on pages 84 – 99.



Special solutions

Installation in single pipe heating systems



Installation in single pipe heating systems

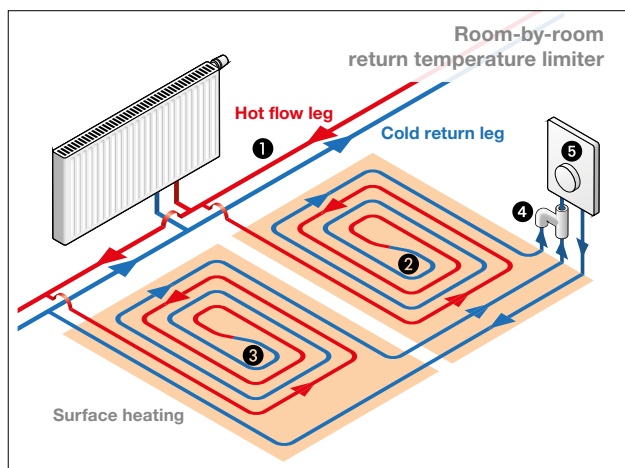
Select the installation location in such a way that part of the heating water flows through the BEKOTEC heating circuit and another through a controllable transfer section **2** in the existing single pipe circuit. The return temperature limit valve **1** must be positioned in such a way that the heating water first flows through the heating circuit and then through the RTB/RTBR valve.

The heating circuit return line is connected after the transfer section.

The transfer section **2** must at least have the same pipe diameter as the existing single pipe circuit and must be equipped with a controllable valve **2a** (return screw/ string control valve). The volume flow can be controlled with the settings of the limit valve **2a** in accordance with the hydraulic conditions. Adjustable single pipe valves **3** should also be installed at the radiators.

As a general rule, the hydraulic conditions of the single pipe system must be reviewed for this application.

Connecting two heating circuits to a return temperature limit valve



The BEKOTEC-THERM-DA connector **4** allows for connecting **two heating circuits of equal size** to a single return temperature limit valve.

To this end, two heating circuits (**2**, **3**) of the same size are installed on the structure side of supply line **1** and connected with connector **4**. The connector **4** is attached directly to the supply line of the return temperature limit valve **5**.

max. length of heating circuits

Heating pipe Ø 16 mm = 80 m

Heating pipe Ø 14 mm = 70 m

Heating pipe Ø 12 mm = 60 m

Heating pipe Ø 10 mm = 50 m





Floor heating for single heating circuits

    **Setting and start up – RTB/RTBR**

Start up

The Schlüter-BEKOTEC-THERM ceramic thermal comfort floor is ready for cure heating only 7 days after the installation of the floor covering. Please observe the instructions of data sheets 9.1 to 9.5, Schlüter-BEKOTEC. Start with a supply temperature of 20 °C and increase it by 5 °C a day to a maximum supply temperature of 35 °C. Close the return temperature limit valves with protective caps to ensure that no heating can take place during the installation of the screed and surface covering.

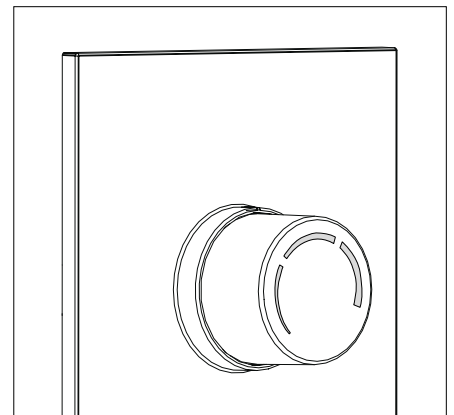
Further information on installing various floor coverings can be found *from page 80*.

Settings

The tables below show the temperature settings at the thermostat heads of Schlüter-BEKOTEC-THERM-RTB and -RTBR.

Return temperature setting, RTB

Temperature settings at the RTB thermostat head	
RTB (triple scaling)	Return temperature
Scale 1	0 - 15 °C
Scale 2	15 - 35 °C
Scale 3	35 - 50 °C

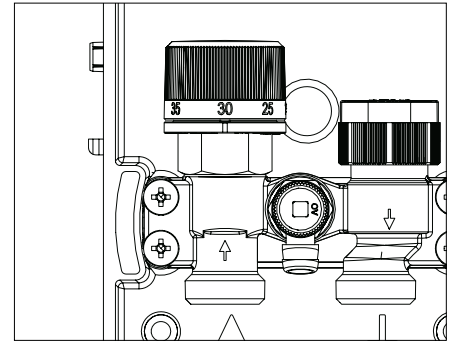


Floor heating for single heating circuits

 RTBR settings

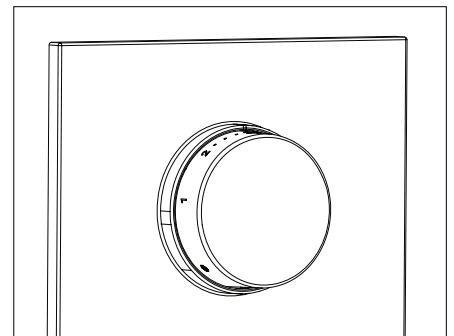
Return temperature setting, RTBR

Temperature setting at the RTBR dial	
Scale	Return temperature
Position number	Temperature
0	Valve completely closed
10	10 °C
20	20 °C
25	25 °C
30	30 °C
35	35 °C
40	40 °C
-	Valve completely opened until a temperature of approx. 43 °C has been reached



Setting the room temperature at the RTBR valve

Temperature settings at the RTBR thermostat head	
RTBR	Room temperature
0	Valve completely closed
*	7 °C (frost protection setting)
1	12 °C
2	16 °C
3	20 °C
4	24 °C
5	28 °C





Installation notes and system start up for various floor coverings



Ceramic tile and natural stone coverings

i

The Schlüter uncoupling mat can be installed in accordance with the installation instructions of product data sheets 6.1 (DITRA), 6.2 (DITRA-DRAIN 4) or 6.4 (DITRA-HEAT) as soon as the screed is ready to bear weight. Gypsum based screeds can be covered as soon as they have reached a residual moisture level of 2 CM % or less.

All manufacturer specifications as well as standards and regulations must be followed.



Non ceramic floor coverings

In principle, the floor coverings described in the following sections are suitable for floor heating systems. Exceptions include screeds with finished surfaces. Please contact our Technical Department in case of filler compounds or thin layer screed coating systems, which are installed as a bonded assembly with the screed.

However, the area thermal insulation of the floor covering R [$\text{m}^2\text{K/W}$] should be as low as possible and not exceed a value of $R = 0.15 \text{ m}^2 \text{ K/W}$.

Floor coverings with a high area thermal insulation require significantly higher operating temperatures with the same spacing of heating pipes and the same heat output (heat flow density).

Especially in the case of non ceramic coverings, high operating temperatures caused by larger thermal resistance increase the heat loss to unheated underlying areas, which adjoin soil or the outdoors.

It is frequently unknown at the time of architectural design which floor coverings will be used. In such cases, an average thermal resistance of $R = 0.10 \text{ m}^2 \text{ K/W}$ should be assumed according to DIN EN 1264-4 (BS EN 1264-4).

The corresponding heat output and operating temperatures for the various floor coverings can be found in the corresponding heat output tables and the performance diagrams on pages 84 – 99.

Please note the application areas as shown on page 22, as well as the specifications of the flooring manufacturer.

Carpet, PVC, vinyl, linoleum

Check prior to installation whether the heated screed needs to be sealed according to DIN 18365, "Flooring work." Floor coverings must bear the seal "Suitable for floor heating systems" or be approved for floor heating systems by their manufacturer. If using carpet, choose a variety with a low area thermal insulation value. Coverings with higher area thermal insulation values frequently require a higher operating temperature for the floor heating system.

- Adhesives must be suitable for floor heating systems as well as for the surface covering and the screed base.
- The residual moisture requirements for the screed must be observed (see page 82).

i

Note:

Ceramic tile and natural stone assemblies must always be created with Schlüter uncoupling mats. Their assembly height of approx. 5 - 7 mm is to be considered in the assembly calculations. All other covering materials are generally installed directly (observe manufacturer instructions!) over the BEKOTEC screed without uncoupling mats. Keep the installation height and final height in mind when calculating the height of the screed with regard to **adjoining areas** with tile coverings. In addition to the applicable installation guidelines, note the permissible residual moisture level of the screed for the selected covering material. *For further information, see pages 22ff, 29, and 80ff.*

Installation notes and system start up for various floor coverings

Non ceramic floor coverings

Parquet

Observe all manufacturer specifications when installing parquet over the Schlüter-BEKOTEC-THERM system. Consult the manufacturer and the installer about the suitability of specific parquet types and their components on a floor heating system.

The following requirements must be observed:

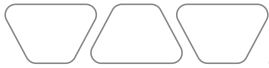
- The moisture content of the wood must meet the requirements of the manufacturer.
- Adhesives must be suitable for floor heating systems as well as for the surface covering and the screed base.
- If the manufacturer specifies any restrictions for the surface temperatures, suitable technical measures must be taken to comply.
- The residual moisture requirements for the screed must be observed (*see page 82*).

Floating parquets, laminates, cork, vinyl and linoleum on support materials

Floating coatings with additional insulation between the covering and the screed increase the area thermal insulation of the floor covering. Coverings with higher area thermal insulation values frequently require a higher operating temperature for the floor heating system.

- Ask the flooring manufacturer for alternative separating layers with lower thermal resistance.
- The covering with the separating layer should not exceed a total thermal resistance of $R = 0.15 \text{ m}^2 \text{ K/W}$.
- Permanent attachment on the screed is preferable over floating installation. The manufacturer of the covering must approve the attachment to the corresponding components.
- The residual moisture requirements for the screed must be observed (*see page 82*).





Installation notes and system start up for various floor coverings



No functional heating required according to DIN EN 1264

Counter to the specifications of DIN EN 1264, no functional heating is required for the BEKOTEC-THERM screed, since the tensions in the screed are confined to small modules within the studded BEKOTEC screed panel.



Heating up screeds with ceramic coverings

The Schlüter-BEKOTEC-THERM ceramic thermal comfort floor is ready for heating only 7 days after the installation of the floor covering. Please observe the instructions of the corresponding BEKOTEC data sheets 9.1-9.5. Increase the supply temperature by a maximum of 5 °C a day to reach the required operating temperature, starting from 25 °C water temperature.



Heating up and cure heating screeds with non ceramic coverings

The Schlüter-BEKOTEC-THERM assembly without Schlüter uncoupling membrane is ready for start up and cure heating when the screed has reached a sufficient hardness.

Weather conditions are a crucial, but often overlooked factor in the drying and curing process of the screed. The reduced screed thickness of the BEKOTEC screed is an advantage and shortens the drying time.

The screed can be heated after 7 days. All manufacturer specifications must be met.

The supply temperature is increased by < 5 °C a day to a maximum of 35 °C, starting from 25 °C. This temperature is then maintained until the screed is fully cured.

CM measurements and surface installations can only be performed when the system is cold.

Installation readiness- residual screed moisture

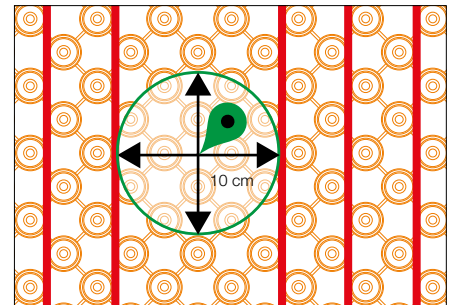
Cure heating is intended to dry the screed prior to installing moisture sensitive **non** ceramic floor coverings.

Establish and mark measuring points in the screed that are located at a distance of at least 10 cm from all heating pipes.

The floor installer will determine the residual moisture of the screed with the CM device directly prior to installing the floor covering.

In addition to the applicable installation guidelines, note the permissible residual moisture level of the screed for the selected covering material.

The table below indicates the customary, maximum permissible moisture content for screeds.



Floor covering	Residual moisture	
	Cement screed	Gypsum based screed
Textile floor coverings*	≤ 1.80 %	≤ 0.50 %
Elastic floor coverings* e.g. vinyl, PVC, rubber, linoleum		
Parquet, cork, laminate*		

* Please observe the installation guidelines of the flooring manufacturer with regard to residual moisture in the screed. **Note:** Certificate forms for heat curing can be found in Attachment V and VI.

Areas with non ceramic coverings must be protected from moisture.

The uncoupling membrane Schlüter-DITRA for ceramic coverings can be installed in accordance with the manufacturer's recommendations of product data sheets 6.1, 6.2 or 6.4 as soon as the moist screed is ready to bear weight.

Areas with moisture sensitive covering materials that adjoin ceramic coverings over DITRA must be protected from permeating moisture.

Product service and planning materials

Performance diagram (example)

The following pages explain the system specific results of thermal technology tests. The individual diagrams differ by the thermal resistance factors of the corresponding surface covering. The adjoining output diagram with sample data refers to the Schlüter-BEKOTEC-THERM ceramic thermal comfort floor with use of Schlüter-BEKOTEC-EN/P or-EN/PF.

Application

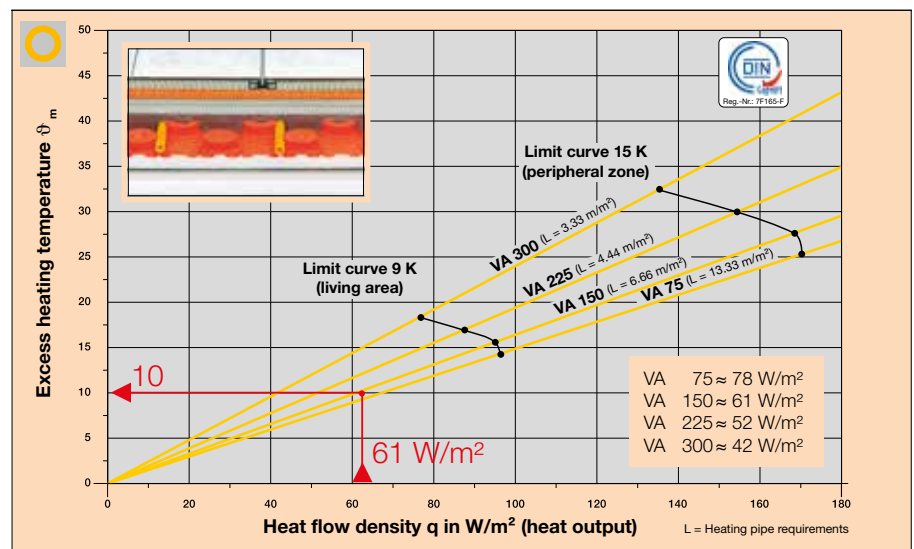
The heating output is shown as heat flow density on the lower scale (in this example: at 61 W/m²).

Moving up vertically from the desired heating output, one can determine the corresponding installation spacings of the heating pipes (75, 150, 225 or 300 mm).

When we transfer the intersection of 61 W/m² with an installation spacing of 150 to the left scale, we see the corresponding excess heating temperature of 10 °C. This temperature indicates how many degrees Celsius the heating water must exceed the desired room temperature on average. For a room temperature of 20 °C, the heating water on average must therefore be heated to 30 °C to achieve an output of 61 W/m² with an installation spacing of 150 mm between the heating pipes. If we stay with an excess heating temperature of 10 °C as shown in the example, the table shows the heating output of other spacing options between heating pipes at the intersections.

Tested according to DIN EN 1264

Floor covering: **Ceramic tile, natural stone, cast stone and stoneware,** incl. Schlüter-DITRA mat.



Example:

$\vartheta_V \triangleq$ Supply temperature = 32.5 °C

$\Delta\vartheta \triangleq$ Intended temperature splay = 5 °K

$\vartheta_i \triangleq$ Room temperature = 20 °C

$$\vartheta_m = \frac{\vartheta_V - \vartheta_R}{\ln \frac{\vartheta_V - \vartheta_i}{\vartheta_R - \vartheta_i}}$$

The following can be approximated:

$$\vartheta_m = \left(\vartheta_V - \frac{\Delta\vartheta}{2} \right) - \vartheta_i$$

$$\vartheta_m = \left(32.5 \text{ K} - \frac{5 \text{ K}}{2} \right) - 20 \text{ K} = 10 \text{ K}$$

Results for heat flow density (heat output for various installation spacings)

Note

To determine the necessary average heating water temperature, add the excess heating temperature to the desired room temperature.

Limit curves

Limit curve 9K (for living spaces)

This indicates at which point the maximum permissible surface temperature for living spaces is reached. For example, the surface temperature should be limited to 29 °C if a room temperature of 20 °C is desired. If the desired heat output is above the limit curve, a closer installation spacing of the heating pipes should be considered. If there is no way to bring the heating pipes closer together, the floor heating alone is not able to provide the necessary heating output.

The points on the limit curve indicate the maximum heat output of the corresponding installation spacing.

Limit curve 15 K (for peripheral zones)

This indicates at which point the maximum permissible surface temperature for peripheral

zones is reached. Peripheral zones apply e.g. to the area in front of full length windows and usually extend 1 m into the room. This allows for reaching a maximum surface temperature of 35 °C with a room temperature of 20 °C to counter the cold air coming in through large windows with higher heat output.

The points on the limit curve indicate the maximum heat output of the corresponding installation spacing.

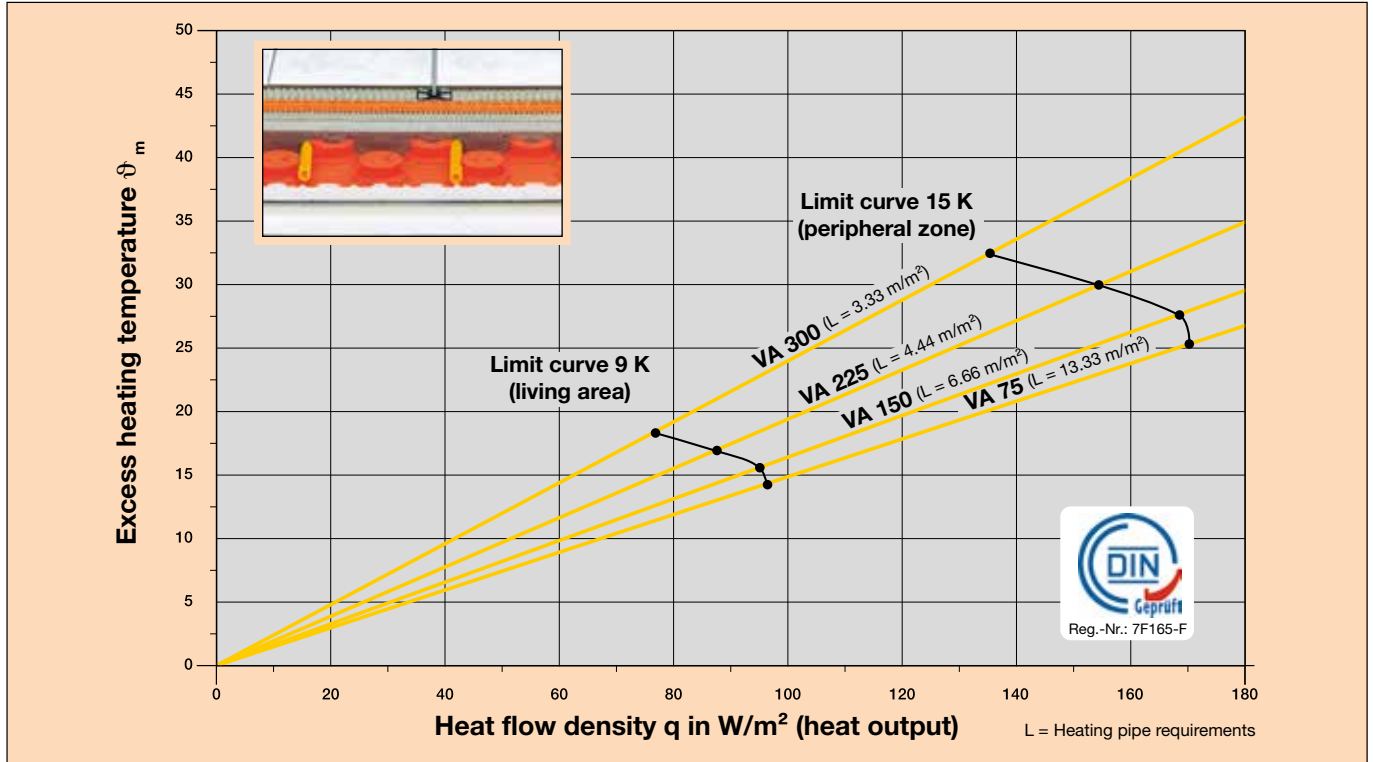


Product service and planning materials

Performance diagram: Ceramic thermal comfort floor Schlüter®-BEKOTEC-EN/P or -EN/PF, heating pipes Ø = 16 mm

Surface cover resistance $R_{s, \lambda} = 0 \text{ m}^2 \text{ K/W}$

Floor covering: **Ceramic tile, natural stone, cast stone and stoneware**, incl. Schlüter-DITRA mat



Performance test according to DIN EN 1264, Stuttgart University, IGE, Test report number L.1210.P.957.SCH

Room temp. °C	Supply temp °C	Heat flow density W/m ² (spec. heat output W/m ²)	Living area													Peripheral zone																				
			25	30	35	40	45	50	55	60	65	70	75	80	85	90	95	100	105	110	115	120	125	130	135	140	145									
		Avg. surface temp. °C	22.7	23.6	24.5	25.5	26.4	27.3	28.2														29.1	30.0	30.9	31.8	32.7									
20	30	Installation spacing VA mm	225	225	150	150	150	150	75	75	75																									
		max. heating circuit area m ²	25	22	18	16	14	10	8	7	5																									
		max. heating circuit length m	119	105	127	114	101	74	114	101	74																									
20	35	Installation spacing VA mm	300	300	225	225	225	150	150	150	150	150	75	75	75	75	75	75	75																	
		max. heating circuit area m ²	30	28	25	22	20	18	17	15	14	13	10	9	8	7.5	7	5	4																	
		max. heating circuit length m	107	101	119	105	96	87	121	107	101	94	74	127	114	107	101	74	61																	
20	40	Installation spacing VA mm	300	300	300	300	225	225	225	150	150	150	150	150	150	150	150	150	75	75	75	75	75	75	75	75	75	75								
		max. heating circuit area m ²	34	33	30	28	26	24	21	19	17	16	15	14	13	12	11	10	9	8	7	6	5	4.5	4	3										
		max. heating circuit length m	121	117	107	101	123	114	101	92	121	114	107	101	94	87	81	74	127	114	101	87	74	67	61	47										
20	43	Installation spacing VA mm	300	300	300	300	300	225	225	225	150	150	150	150	150	150	150	150	150	75	75	75	75	75	75	75	75									
		max. heating circuit area m ²	36	35	34	33	30	28	26	24	22	18	17	16	15	14	13	12	11	10	9	8	7.5	7	6.5	6	5.5									
		max. heating circuit length m	127	124	121	117	107	101	123	114	105	127	121	114	107	101	94	87	81	74	127	114	107	101	94	87	81									
		Avg. surface temp. °C	26.7	27.6	28.5	29.5	30.4	31.3	32.2														33.1	34.0	34.9											
24	30	Installation spacing VA mm	150	75	75																															
		max. heating circuit area m ²	12	7	6																															
		max. heating circuit length m	87	101	87																															
24	35	Installation spacing VA mm			150	150	150	150	150	75	75	75	75																							
		max. heating circuit area m ²			18	16	14	12	9	8	7	6	4.5																							
		max. heating circuit length m			127	114	101	87	67	114	101	87	67																							
24	40	Installation spacing VA mm			150	150	150	150	150	150	75	75	75	75	75	75	75	75	75	75	75	75	75	75	75	75										
		max. heating circuit area m ²			18	17	16	15	14	13	12	9	8	7	6.5	6	5.5	5	4.5																	
		max. heating circuit length m			127	121	114	107	101	94	87	127	114	101	94	87	81	74	67																	
24	43	Installation spacing VA mm					150	150	150	150	150	150	150	150	75	75	75	75	75	75	75	75	75	75	75											
		max. heating circuit area m ²					18	17	16	15	14	13	12	11	9	8	7.5	7	6.5	6	5.5	5														
		max. heating circuit length m					127	121	114	107	101	94	87	81	127	114	107	101	94	87	81	74														

Limit curve living area/peripheral zone

Data does not replace precise planning according to DIN EN 1264.

Presumed marginal conditions:
 Pressure loss: max. 250 mbar
 Sub insulation R/(U): 0.75 m²KW / (1.33 W/m²K)

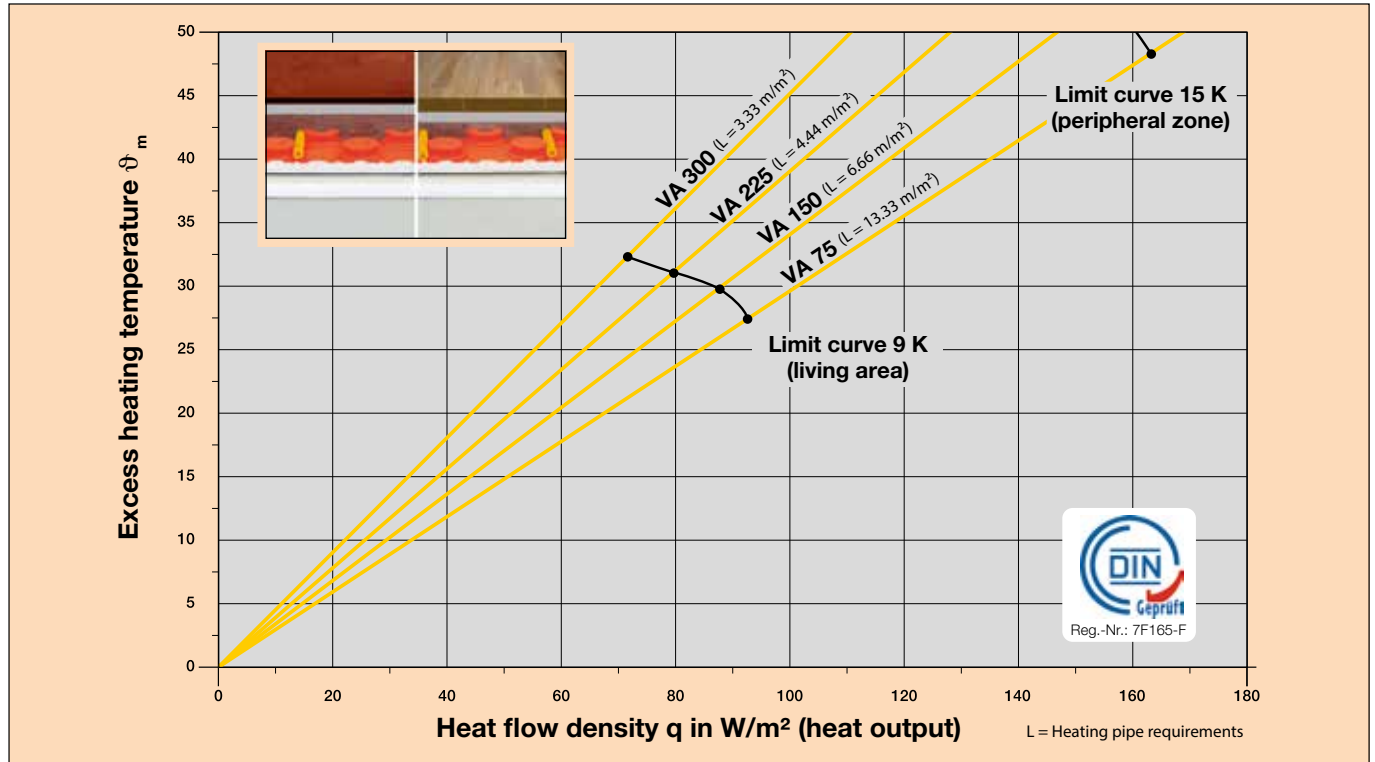
tu: 15 °C
 Single connection length: 3 - 4 m

Product service and planning materials

Performance diagram: Parquet up to approx. 22 mm or thick carpet Schlüter®-BEKOTEC-EN/P or -EN/PF, heating pipes Ø = 16 mm

Surface cover resistance $R_{\lambda} = 0.15 \text{ m}^2 \text{ K/W}$

Floor covering: **Parquet of approx. 22 mm or thick carpet** (observe manufacturer recommendations).



Performance test according to DIN EN 1264, Stuttgart University, IGE, Test report number HB 12 P 380

Room temp. °C	Supply temp °C	Living area														Peripheral zone																											
		25	30	35	40	45	50	55	60	65	70	75	80	85	90	95	100	105	110	115	120	125	130	135	140	145																	
		Heat flow density W/m^2 (spec. heat output W/m^2)																																									
		Avg. surface temp. °C																																									
20	30	Installation spacing VA mm	150	75																																							
		max. heating circuit area m^2	11	6																																							
		max. heating circuit length m	81	87																																							
20	35	Installation spacing VA mm	225	150	150	75	75																																				
		max. heating circuit area m^2	24	18	14	8	5																																				
		max. heating circuit length m	114	127	101	114	74																																				
20	40	Installation spacing VA mm	300	300	225	150	150	150	75	75																																	
		max. heating circuit area m^2	32	28	23	17	14	9	7	5																																	
		max. heating circuit length m	114	101	110	121	101	67	101	74																																	
20	43	Installation spacing VA mm	300	300	300	225	225	150	150	75	75	75																															
		max. heating circuit area m^2	34	30	28	24	20	16	12	8	6	4																															
		max. heating circuit length m	121	107	101	114	96	114	87	114	87	61																															

Limit curve living area/peripheral zone

Data does not replace precise planning according to DIN EN 1264.

Presumed marginal conditions:

Pressure loss: max. 250 mbar
 Sub insulation R/(U): 0,75 $\text{m}^2\text{K/W}$ / (1,33 $\text{W/m}^2\text{K}$)

tu: 15 °C
 Single connection length: 3 - 4 m

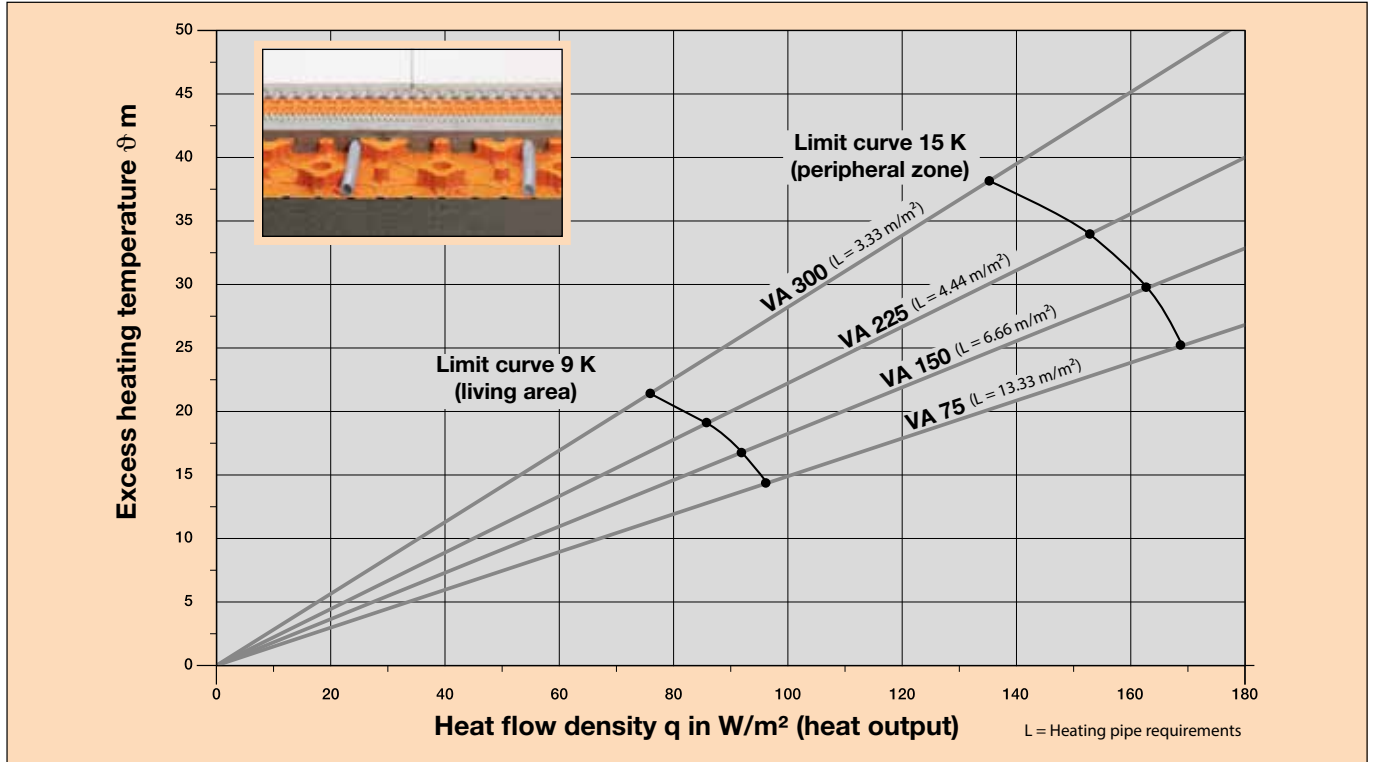


Product service and planning materials

Performance diagram: Ceramic thermal comfort floor Schlüter®-BEKOTEC-EN 23 F, heating pipes Ø = 14 mm

Surface cover resistance $R_{s, \lambda} = 0 \text{ m}^2 \text{ K/W}$

Floor covering: **Ceramic tile, natural stone, cast stone and stoneware** incl. Schlüter-DITRA mat.



Performance test according to DIN EN 1264, Stuttgart University, IGE, Test report number L.1210.P.950.SCH

Room temp. °C	Supply temp °C		Living area													Peripheral zone												
			25	30	35	40	45	50	55	60	65	70	75	80	85	90	95	100	105	110	115	120	125	130	135	140	145	
		Heat flow density W/m ² (spec. heat output W/m ²)	25	30	35	40	45	50	55	60	65	70	75	80	85	90	95	100	105	110	115	120	125	130	135	140	145	
		Avg. surface temp. °C	22.7	23.6	24.5	25.5	26.4	27.3	28.2								29.1	30.0	30.9	31.8	32.7							
20	30	Installation spacing VA mm	225	225	150	150	150	75	75	75																		
		max. heating circuit area m ²	19	16	14	12	9	7	5	4																		
		max. heating circuit length m	92	78	101	87	67	101	74	61																		
20	35	Installation spacing VA mm	225	225	225	225	225	150	150	150	150	75	75	75	75	75	75	75										
		max. heating circuit area m ²	24	22	20	18	16	15	14	12	10	7.5	7	6	5.5	5	4	3.5										
		max. heating circuit length m	114	105	96	87	79	107	101	87	74	57	101	87	81	74	61	54										
20	40	Installation spacing VA mm	300	300	300	300	225	225	150	150	150	150	150	150	150	150	75	75	75	75	75	75	75	75	75	75	75	
		max. heating circuit area m ²	30	27	25	23	20	18	16	15	14	13	12	11	9	8	8	7	6.5	6	5.5	5	4.5	3.5				
		max. heating circuit length m	107	97	91	84	96	87	114	107	101	94	87	81	67	61	114	101	94	87	81	74	67	54				
20	43	Installation spacing VA mm	300	300	300	300	300	225	225	225	225	150	150	150	150	150	150	150	150	150	75	75	75	75	75	75	75	
		max. heating circuit area m ²	33	30	28	26	24	24	22	20	18	16	14	13	12	11	10	9	8	7	6.5	6	5	4.5	4	3.5		
		max. heating circuit length m	117	107	101	94	87	114	105	96	87	114	101	94	87	81	74	67	61	114	101	94	87	74	67	61	54	
		Avg. surface temp. °C	26.7	27.6	28.5	29.5	30.4	31.3	32.2								33.1	34.0	34.9									
24	30	Installation spacing VA mm	75	75	75																							
		max. heating circuit area m ²	5.5	5	4																							
		max. heating circuit length m	81	74	61																							
24	35	Installation spacing VA mm			150	150	150	150	75	75	75	75	75															
		max. heating circuit area m ²			14	12	10	8	7	6	5.5	4	2.5															
		max. heating circuit length m			101	87	74	61	101	87	81	61	41															
24	40	Installation spacing VA mm			150	150	150	150	150	150	150	75	75	75	75	75	75	75	75	75								
		max. heating circuit area m ²			16	15	14	12	11	10	9	7	6.5	6	5.5	5	4	3	2.5									
		max. heating circuit length m			114	107	101	87	81	74	67	101	94	87	81	74	61	47	41									
24	43	Installation spacing VA mm					150	150	150	150	150	150	150	150	75	75	75	75	75	75	75	75						
		max. heating circuit area m ²					16	15	14	13.5	12	11	10	9	8	7.5	7	6.5	6	5	4							
		max. heating circuit length m					114	107	101	97	87	81	74	67	114	107	101	94	87	74	61							

Limit curve living area/peripheral zone

Data does not replace precise planning according to DIN EN 1264.

Presumed marginal conditions:

Pressure loss: max. 250 mbar
Sub insulation R/(U): 0.75 m²K/W / (1.33 W/m²K)

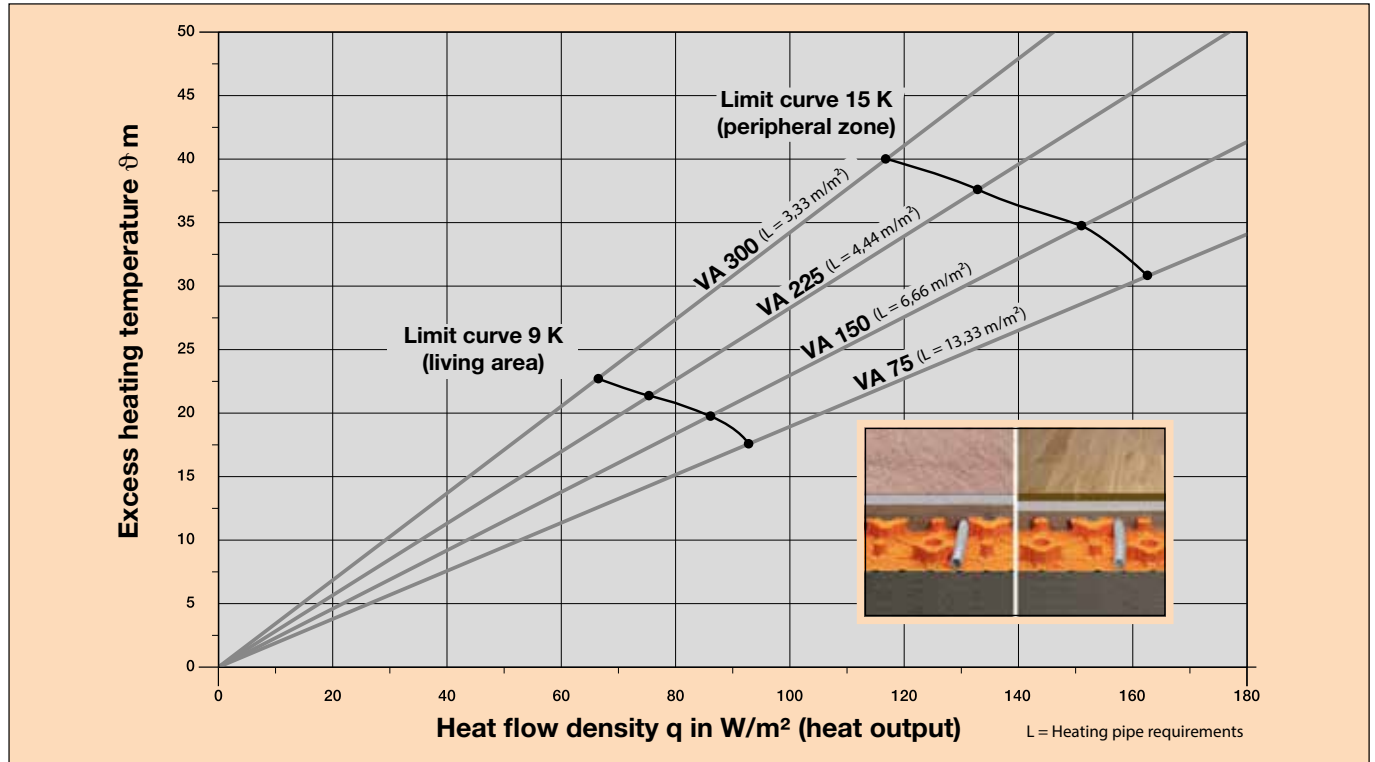
tu: 15 °C
Single connection length: 3 - 4 m

Product service and planning materials

Performance diagram: Vinyl, linoleum or parquet up to approx. 8 mm Schlüter®-BEKOTEC-EN 23 F, heating pipes Ø = 14 mm

Surface cover resistance $R_{\lambda} = 0.05 \text{ m}^2 \text{ K/W}$

Floor covering: **Vinyl, linoleum or parquet up to approx. 8 mm**, (observe manufacturer recommendations).



Performance test according to DIN EN 1264, Stuttgart University, IGE, Test report number HB 12 P 379

Room temp. °C	Supply temp °C	Living area														Peripheral zone												
		25	30	35	40	45	50	55	60	65	70	75	80	85	90	95	100	105	110	115	120	125	130	135	140	145		
Avg. surface temp. °C																												
Avg. surface temp. °C																												
20	30	Installation spacing VA mm	150	150	150	75	75																					
		max. heating circuit area m²	13	12	8	6	4.5																					
		max. heating circuit length m	94	87	61	87	67																					
20	35	Installation spacing VA mm	300	225	225	225	150	150	75	75	75	75																
		max. heating circuit area m²	26	24	20	18	14	11	8	7	6	3.5																
		max. heating circuit length m	94	114	96	87	101	81	114	101	87	54																
20	40	Installation spacing VA mm	300	300	300	225	225	225	150	150	150	150	75	75	75	75												
		max. heating circuit area m²	28	25	24	22	20	17	15	13	11	8	8	7	6	5	3											
		max. heating circuit length m	101	91	87	105	96	83	107	94	81	61	114	101	87	74	47											
20	43	Installation spacing VA mm	300	300	300	300	225	225	225	150	150	150	150	150	75	75	75	75	75	75								
		max. heating circuit area m²	30	28	26	24	22	20	18	16	14	13	11	8.5	7.5	7	6	5	4									
		max. heating circuit length m	107	101	94	87	105	96	87	114	101	94	81	64	107	101	87	74	61									
Avg. surface temp. °C																												
Avg. surface temp. °C																												
24	30	Installation spacing VA mm	75																									
		max. heating circuit area m²	6																									
		max. heating circuit length m	87																									
24	35	Installation spacing VA mm	150	150	75	75	75	75																				
		max. heating circuit area m²	13	10	8	6	4	3																				
		max. heating circuit length m	94	74	114	87	61	47																				
24	40	Installation spacing VA mm				150	150	150	75	75	75	75																
		max. heating circuit area m²				13	11	8	7	6	5	3																
		max. heating circuit length m				94	81	61	101	87	74	47																
24	43	Installation spacing VA mm							150	150	150	75	75	75	75	75												
		max. heating circuit area m²								13	11	9	7.5	6.5	5.5	5	3											
		max. heating circuit length m								94	81	67	107	94	81	74	47											

Data does not replace precise planning according to DIN EN 1264.

Presumed marginal conditions:

Pressure loss: max. 250 mbar
 Sub insulation R/(U): 0.75 m²K/W / (1.33 W/m²K)

tu: 15 °C
 Single connection length: 3 - 4 m

Limit curve living area/peripheral zone

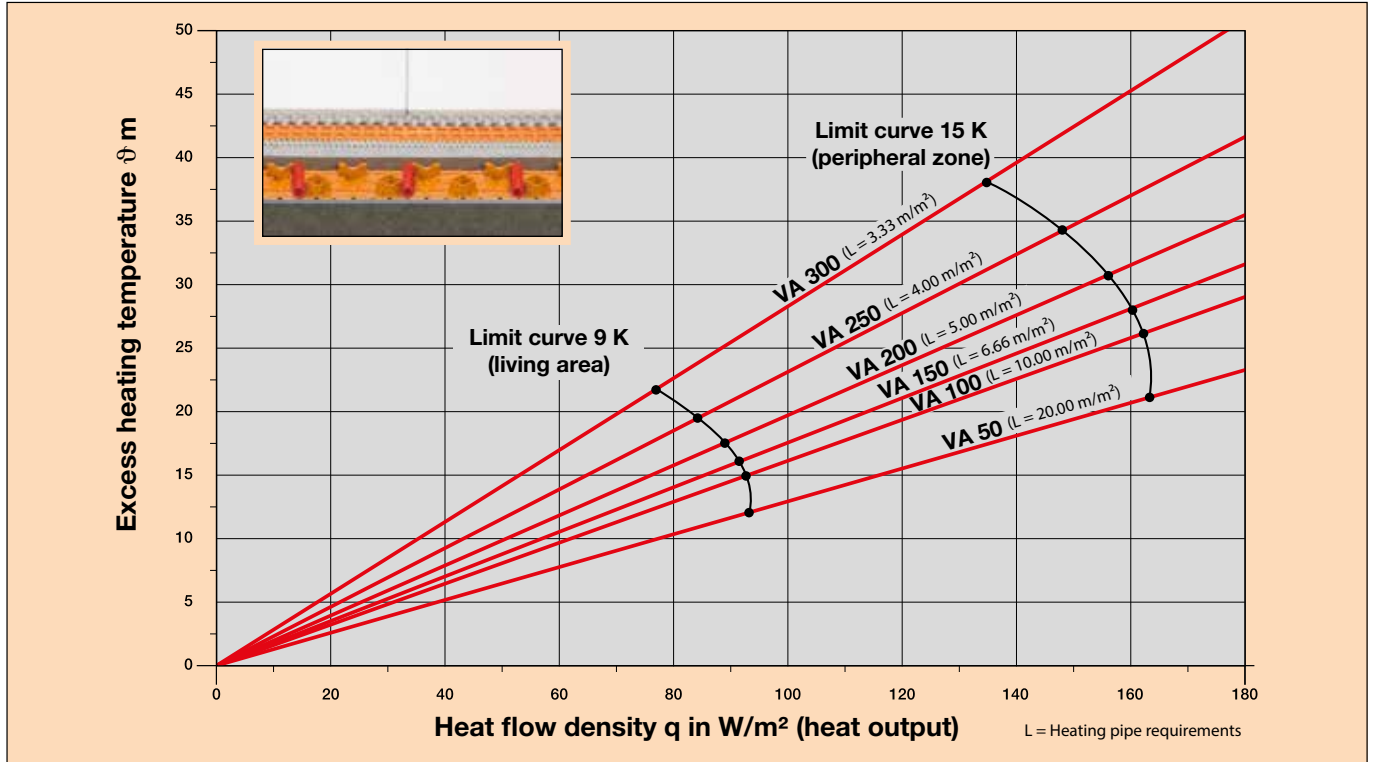


Product service and planning materials

Performance diagram: Ceramic thermal comfort floor Schlüter®-BEKOTEC-EN 18 FTS, heating pipes Ø = 12 mm

Surface cover resistance $R_{\lambda} = 0 \text{ m}^2 \text{ K/W}$

Floor covering: **Ceramic tile, natural stone, cast stone and stoneware**, incl. Schlüter-DITRA mat.



Performance test according to DIN EN 1264, Stuttgart University, IGE, Test report number L.1210.P.949.SCH

Room temp. °C	Supply temp °C		Living area													Peripheral zone													
			25	30	35	40	45	50	55	60	65	70	75	80	85	90	95	100	105	110	115	120	125	130	135	140	145		
		Heat flow density W/m ² (spec. heat output W/m ²)	25	30	35	40	45	50	55	60	65	70	75	80	85	90	95	100	105	110	115	120	125	130	135	140	145		
		Avg. surface temp. °C	22.7	23.6	24.5	25.5	26.4	27.3	28.2									29.1	30.0	30.9	31.8	32.7							
20	30	Installation spacing VA mm	250	200	200	150	150	100	100	50	50	50																	
		max. heating circuit area m ²	17	15	12	10	8	6	5.5	4	3.5	3																	
		max. heating circuit length m	75	82	67	74	61	67	62	87	77	67																	
20	35	Installation spacing VA mm	250	250	250	200	200	150	150	150	150	100	100	100	100	50													
		max. heating circuit area m ²	21	19	18	16	14	12	11	10	8	7	7	6	5	4	4												
		max. heating circuit length m	91	84	80	87	77	87	81	74	61	54	77	67	57	47	87												
20	40	Installation spacing VA mm	300	300	250	250	200	200	150	150	150	150	150	100	100	100	100												
		max. heating circuit area m ²	25	22	20	19	17	15	14	13	12	11	10	9	8	7	6.5												
		max. heating circuit length m	91	81	87	83	92	82	101	94	87	81	74	67	87	77	72												
20	43	Installation spacing VA mm	300	300	300	300	250	250	200	150	150	150	150	150	100	100	100												
		max. heating circuit area m ²	26	24	22	20	19	18	16	14	13	12	11	10.5	10	9	8												
		max. heating circuit length m	93	87	81	74	83	80	87	100	94	87	81	77	74	67	87												
		Avg. surface temp. °C	26.7	27.6	28.5	29.5	30.4	31.3	32.2									33.1	34.0	34.9									
24	30	Installation spacing VA mm	100	100	100	50	50																						
		max. heating circuit area m ²	5	4.5	3	3	2																						
		max. heating circuit length m	57	52	37	67	47																						
24	35	Installation spacing VA mm				150	150	150	100	100	100	50	50	50															
		max. heating circuit area m ²				9	8	7	6	5	4	3.5	3	2.5															
		max. heating circuit length m				67	61	54	67	57	47	77	67	57															
24	40	Installation spacing VA mm				150	150	150	150	150	150	100	100	100	100														
		max. heating circuit area m ²				12	11	10	9	8	7	6	6	5	4.5	4													
		max. heating circuit length m				87	81	74	67	61	54	47	67	57	52	47													
24	43	Installation spacing VA mm							150	150	150	150	150	150	100	100													
		max. heating circuit area m ²							12	11.5	11	10	9	8	7	6													
		max. heating circuit length m							87	84	81	74	67	61	54	77													

Limit curve living area/peripheral zone

Data does not replace precise planning according to DIN EN 1264.

Presumed marginal conditions:

Pressure loss: max. 250 mbar
Sub insulation R/(U): 0.75 m²K/W / (1.33 W/m²K)

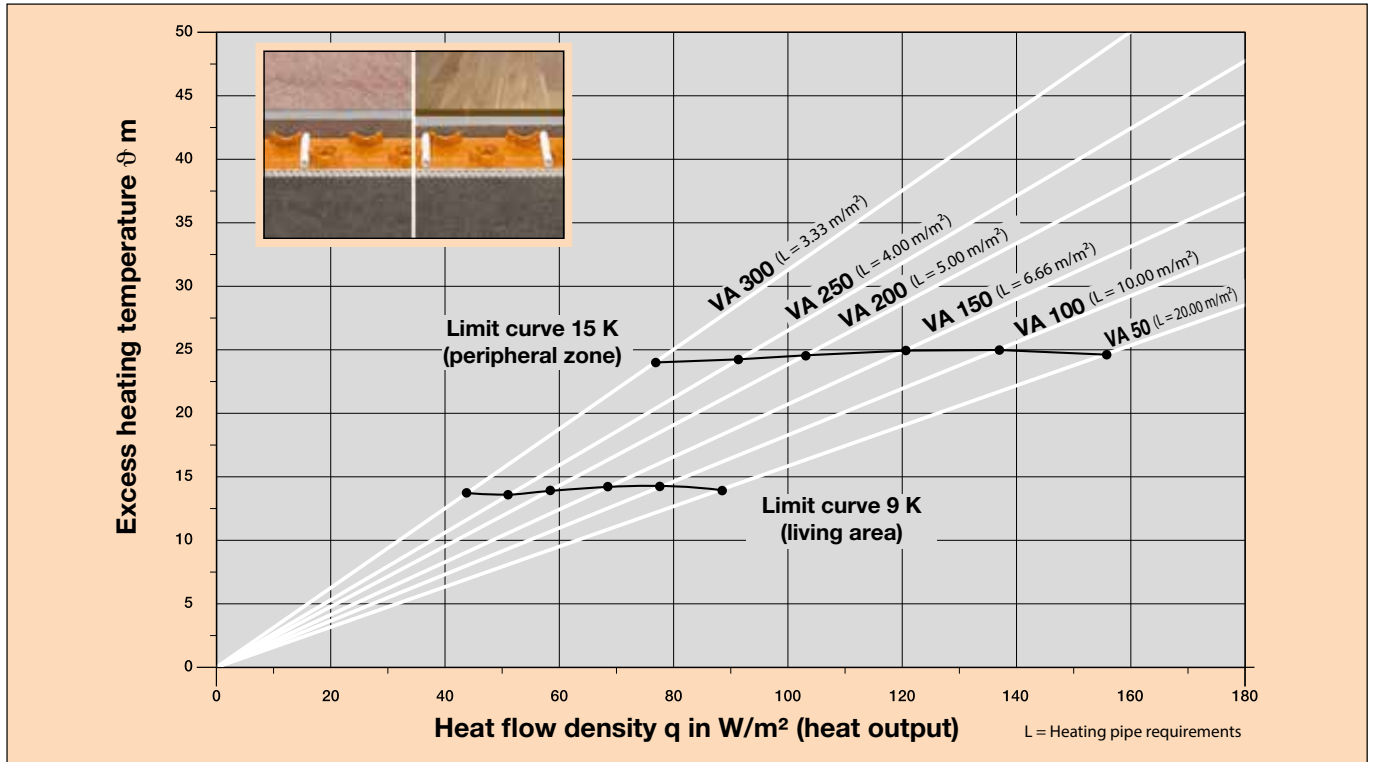
tu: 15 °C
Single connection length: 3 - 4 m

Product service and planning materials

Performance diagram: Vinyl, linoleum or parquet up to approx. 8 mm
 Schlüter®-BEKOTEC-EN 12 FK, heating pipes Ø = 10 mm

Surface cover resistance $R_{\lambda} = 0.05 \text{ m}^2 \text{ K/W}$

Floor covering: **Vinyl, linoleum or parquet up to approx. 8 mm** (observe manufacturer recommendations).



Performance test according to DIN EN 1264, Stuttgart University, IGE, Test report number HB 12 P 377

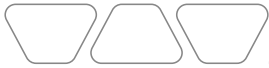
Room temp. °C	Supply temp °C	Living area																	Peripheral zone									
		25	30	35	40	45	50	55	60	65	70	75	80	85	90	95	100	105	110	115	120	125	130	135	140	145		
Avg. surface temp. °C																												
Avg. surface temp. °C																												
20	30	Installation spacing VA mm	200	150	100	100	50	50																				
		max. heating circuit area m²	10	8.5	5.5	4	2.5	2																				
		max. heating circuit length m	57	57	62	47	57	47																				
20	35	Installation spacing VA mm	250	250	200	200	150	150	100	100	50	50																
		max. heating circuit area m²	16	14	11	9	8	6	5	4	3	2.5	2															
		max. heating circuit length m	71	63	62	52	61	47	57	47	67	57	47															
20	40	Installation spacing VA mm	300	250	250	200	200	150	150	150	150	100	100	100	50	50	50											
		max. heating circuit area m²	17	15	14	13	12	10	9	8	6.5	5.5	5	4	3	2.5	2	2										
		max. heating circuit length m	64	67	63	72	67	57	67	61	51	44	57	47	37	57	47	47										
20	43	Installation spacing VA mm	300	300	300	250	250	200	200	150	150	150	150	100	100	100	50	50	50									
		max. heating circuit area m²	21	20	19	17	15	13	12	10	9	8	7	5.5	5	4.5	3.5	3	2.5	2								
		max. heating circuit length m	77	74	71	75	67	72	67	74	67	61	54	44	57	52	42	67	57	47								
Avg. surface temp. °C																												
Avg. surface temp. °C																												
24	30	Installation spacing VA mm	50																									
		max. heating circuit area m²	2.5																									
		max. heating circuit length m	57																									
24	35	Installation spacing VA mm		150	150	100	100	50	50																			
		max. heating circuit area m²		7	6.5	5	3.5	3	1.5																			
		max. heating circuit length m		54	51	57	42	67	37																			
24	40	Installation spacing VA mm				150	150	150	100	100	50	50	50															
		max. heating circuit area m²				8	7	5.5	4.5	3.5	3	2.5	2															
		max. heating circuit length m				61	54	44	52	42	67	57	47															
24	43	Installation spacing VA mm						150	150	150	100	100	100	50	50	50												
		max. heating circuit area m²						8	7	5.5	5	4	3.5	3	2.5	2												
		max. heating circuit length m						61	54	44	57	47	42	67	57	47												

Data does not replace precise planning according to DIN EN 1264.

Presumed marginal conditions:
 Pressure loss: max. 250 mbar
 Sub insulation R/(U): 0.75 m²KW / (1.33 W/m²K)

tu: 15 °C
 Single connection length: 3 - 4 m

Limit curve living area/peripheral zone

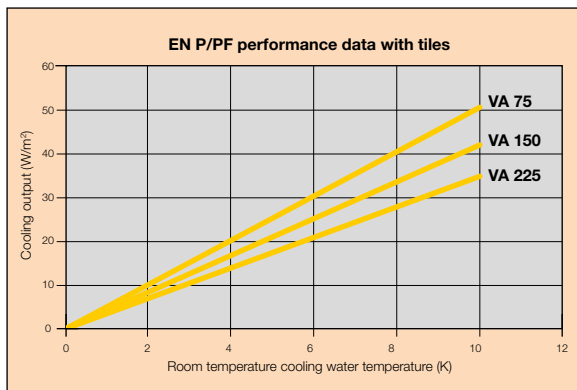


Cooling performance of Schlüter-BEKOTEC-THERM systems

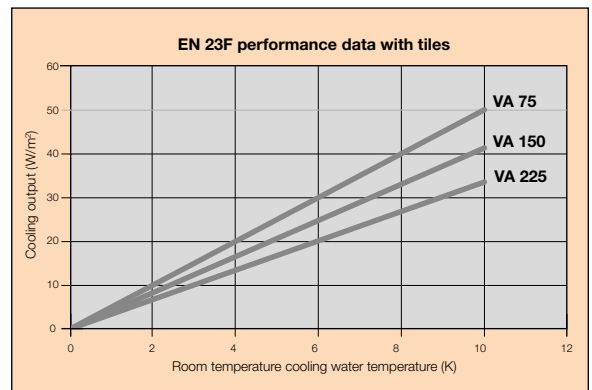
The cooling performance of Schlüter-BEKOTEC-THERM systems depends on the top covering. Ceramic coverings achieve the best cooling and heating values.

The performance data of the various BEKOTEC-THERM systems determined in accordance with DIN EN 1264 show that ceramic coverings can achieve average cooling values of 30 - 40 W/m². This lowers the room temperature by approx. 3 °C.

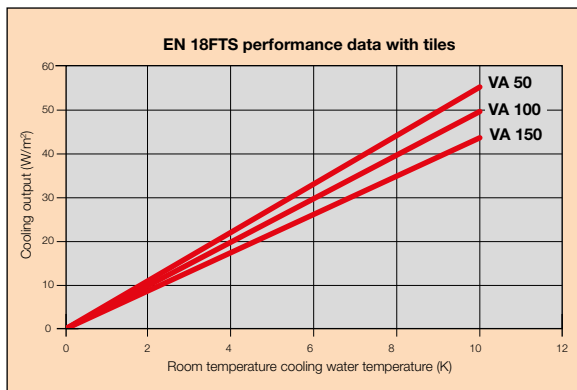
The following performance data were determined for the BEKOTEC-THERM systems in W/m², based on the installation spacing VA and the temperature difference ΔT (room temperature - cooling water temperature) according to DIN EN 1264. Cooling water temperatures are commonly around 18 °C.



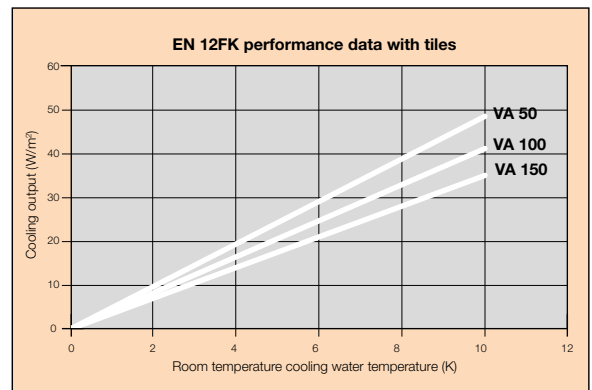
Performance test according to DIN EN 1264, Stuttgart University, IGE



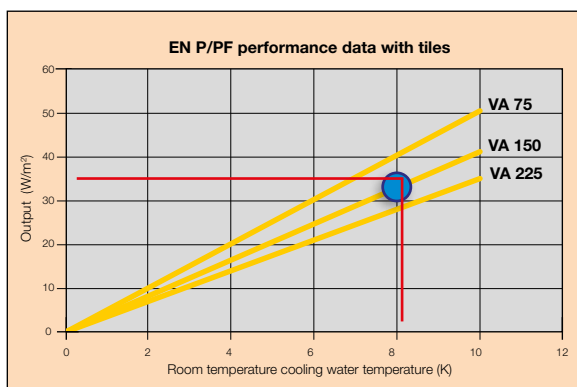
Performance test according to DIN EN 1264, Stuttgart University, IGE



Performance test according to DIN EN 1264, Stuttgart University, IGE



Performance test according to DIN EN 1264, Stuttgart University, IGE



Example:

Room temperature: 26°C

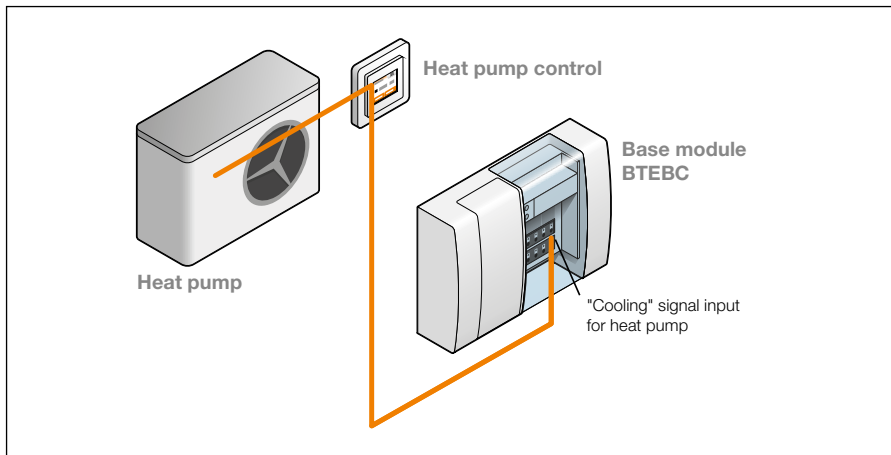
Cooling water temperature from heat pump: 18°C

$\Delta T = 26^\circ\text{C} - 18^\circ\text{C} = 8\text{ K}$

Result: cooling performance with VA 150: 34 W/m²

Connecting the cooling function of the control technology

Heat pumps have a so-called change-over valve. This valve generates a signal that can be used for switching between heating and cooling operation. The BEKOTEC-THERM controls are also able to process this signal. You can connect the change-over valve of the heat pump with the Schlüter-BEKOTEC-THERM EBC base module by using a two-core cable.



Once the signal is connected to the control, the effective direction of the actuators on the floor heating distributor changes. The actuators therefore open when the room temperature rises and enable cold water to flow through the floor circuits. The room temperature continues to be controlled via the BEKOTEC-THERM-ER/WL thermostats, which communicate with the BTEBC base module. That process cools the floor and removes heat from indoor spaces.





Product service and planning materials

Certified quality

Schlüter-BEKOTEC-THERM is a certified and externally monitored floor heating system.

As part of the certification program for floor heating systems, we are authorised to include the DIN test mark with the registration number 7F165 in our product documentation. Thermal technology testing according to DIN EN 1264, reg. no. HB03 P094 and HB03 P095 was conducted by the independent, accredited DIN CERTCO recognised test laboratory Forschungsgesellschaft HLK, HVAC Laboratory at Stuttgart University.

The heating pipe made of PE RT is based on the corresponding test and monitoring requirements of DIN 16833.

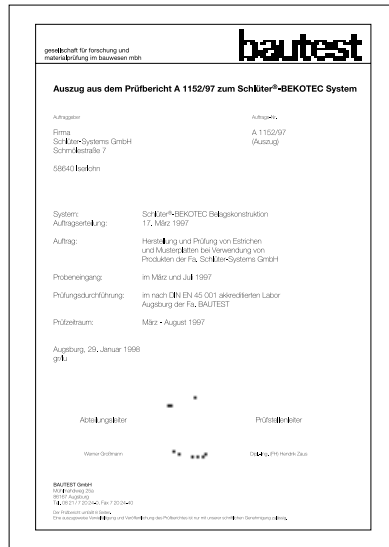
It is approved, certified and registered. This registration documents that the Schlüter-BEKOTEC-THERM-HR system heating pipe meets the requirements for piping systems for floor heating systems and connections to radiators.



Schlüter-Systems is a member of the German Association for Area Heating Systems (BVF)



Schlüter-heating system certificate



Endurance test and confirmation of the load transfer required according to DIN 1055 by test report A1152/97. The independent accredited laboratory of the **Society for research and material inspection at construction engineering** of Augsburg performed these tests.



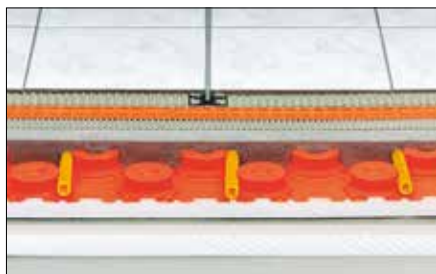
The verification of the practical installation of the entire system, including the surface covering, was performed by the **iff technical expert team for construction and floor technology** in Koblenz.



bekotec-therm.co.uk

Innovative system solutions

Application and scope

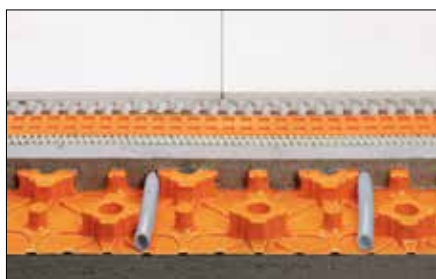


Schlüter®-BEKOTEC-EN

System heating pipe $\varnothing = 16$ mm

The purpose of this technical brochure and the supplementary materials is to explain the planning and installation of the Schlüter-BEKOTEC-THERM ceramic thermal comfort floor in simple and general terms.

The description refers to the various areas of application (see pages 10 and 19). Surface coverings made of ceramic tiles or natural stone are discussed separately with regard to their suitability for and the installation of floor heating systems. If installing non ceramic surface coverings, the applicable installation guidelines and manufacturer recommendations must be observed for each material. In particular, installers must determine the readiness and residual moisture of the screed in conjunction with the selected surface covering.



Schlüter®-BEKOTEC-BEKOTEC-EN F

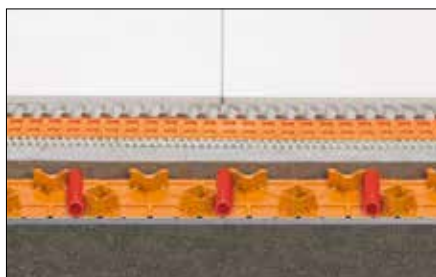
System heating pipe $\varnothing = 14$ mm

The applicable technical construction regulations (EnEV, DIN standards, VOB, information sheets, national requirements etc.) must be observed.

All technical statements, recommendations, drawings and images are based on our current theoretical and practical knowledge. They are intended as general information and do not represent design specifications or design services. The information does not release designers and installers from the responsibility to carry out their own plans and specifications. All applicable national regulations, approvals, and standards must be observed.

Schlüter-Systems KG reserves the right to change these documents at any time without citing technical or commercial reasons.

The current documents shall be deemed to represent the current state of the art of Schlüter-Systems KG.



Schlüter®-BEKOTEC-EN FTS

System heating pipe $\varnothing = 12$ mm

No guarantee for typographic errors.

The reproduction, duplication or usage (including in parts) of this material by third parties is expressly prohibited.



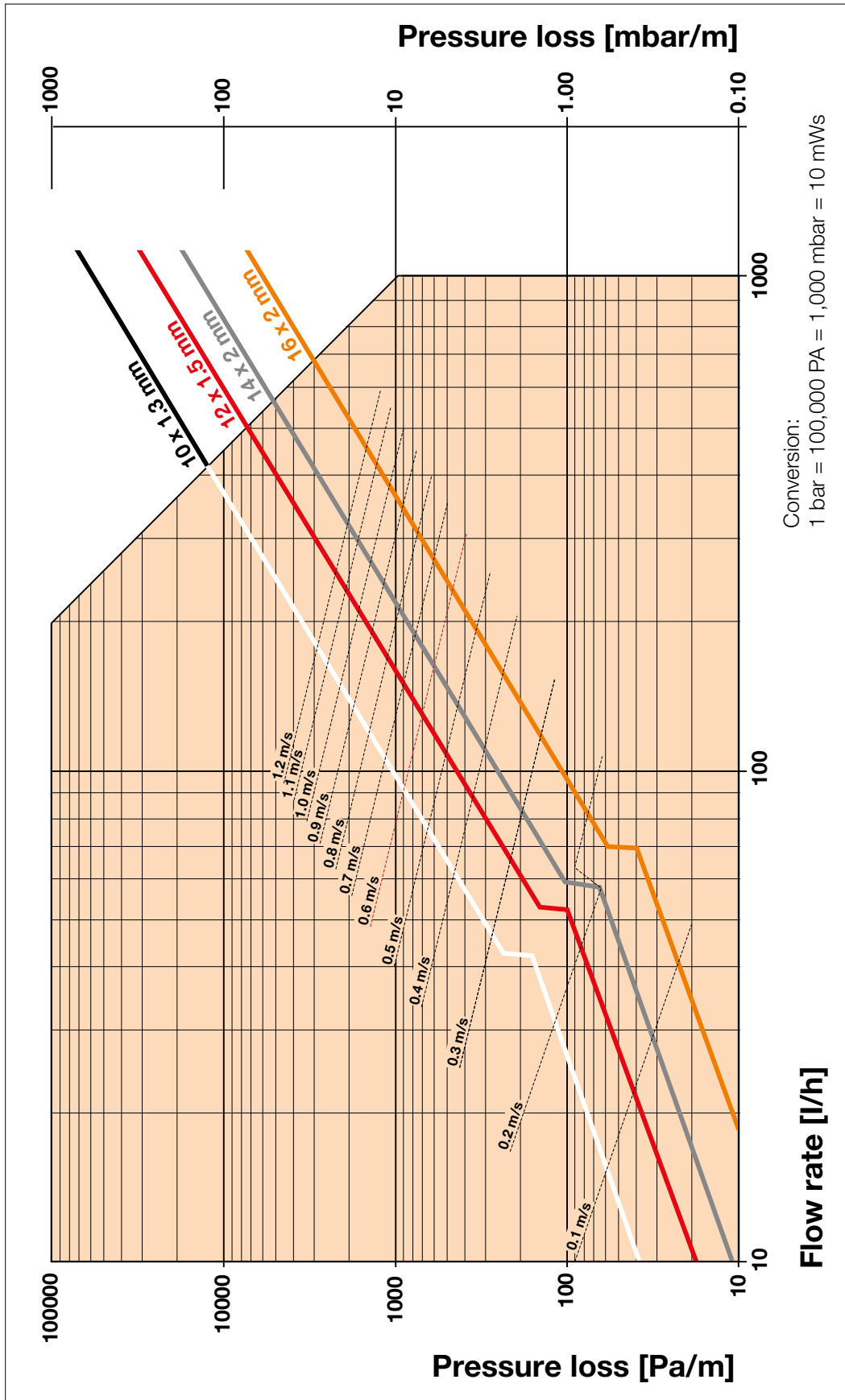
Schlüter®-BEKOTEC-EN FK

System heating pipe $\varnothing = 10$ mm



Attachment I.1

    Pressure loss diagram, heating pipes



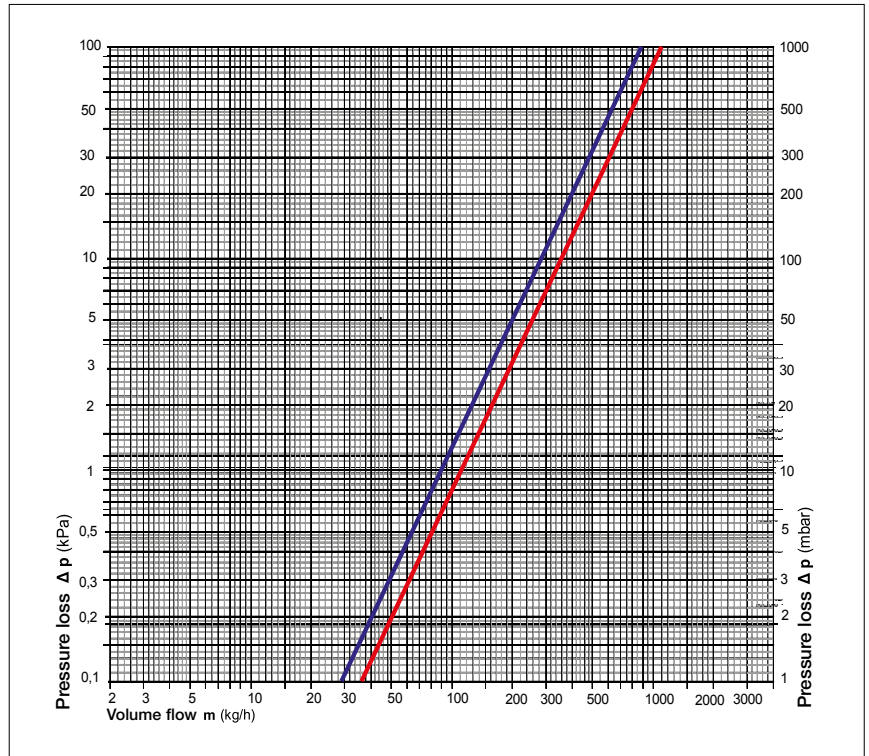
Attachment I.I



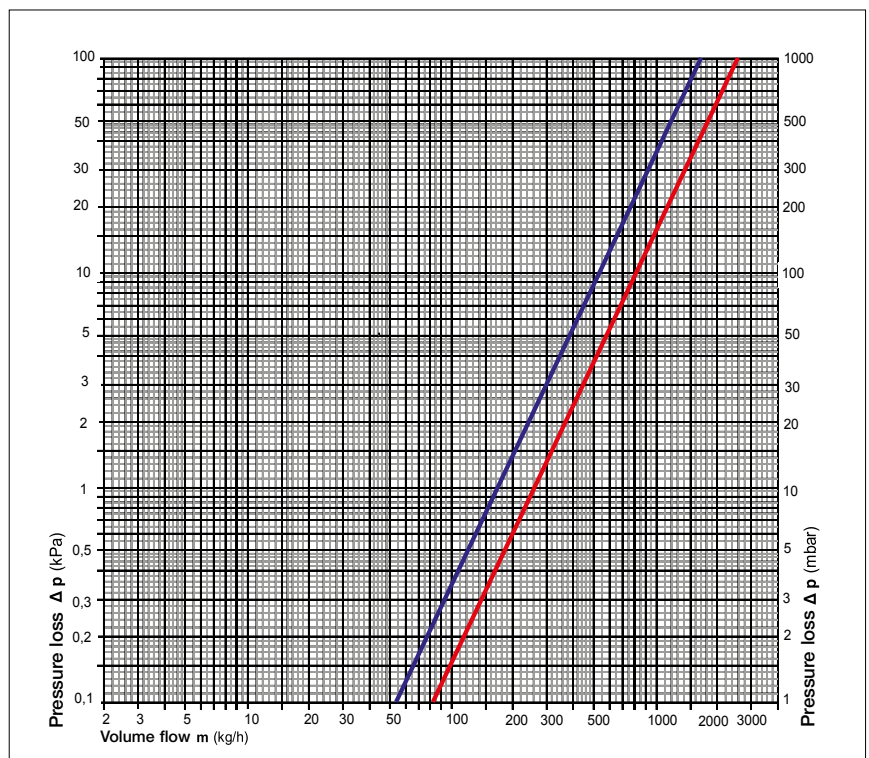
Pressure loss diagrams for heating circuit distributors DN 25

Pressure loss diagram for flow meters (supply line)

- HVT/DE (stainless steel distributor)
- HVP (plastic distributor)



Pressure loss diagram for thermostat valve (return line)





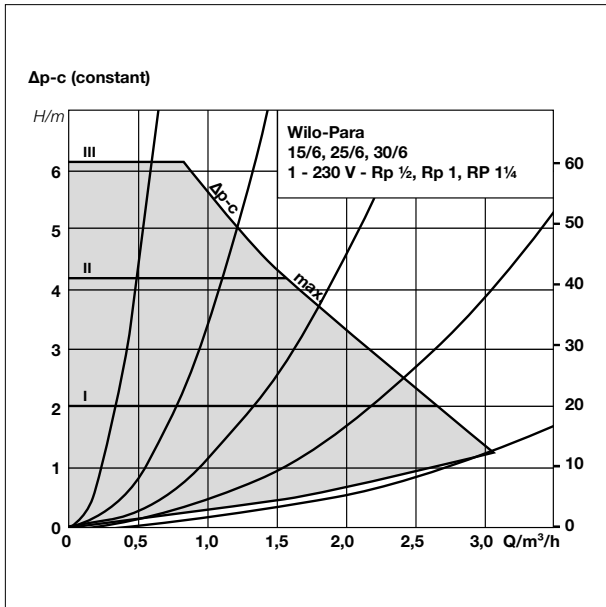
Attachment I.I



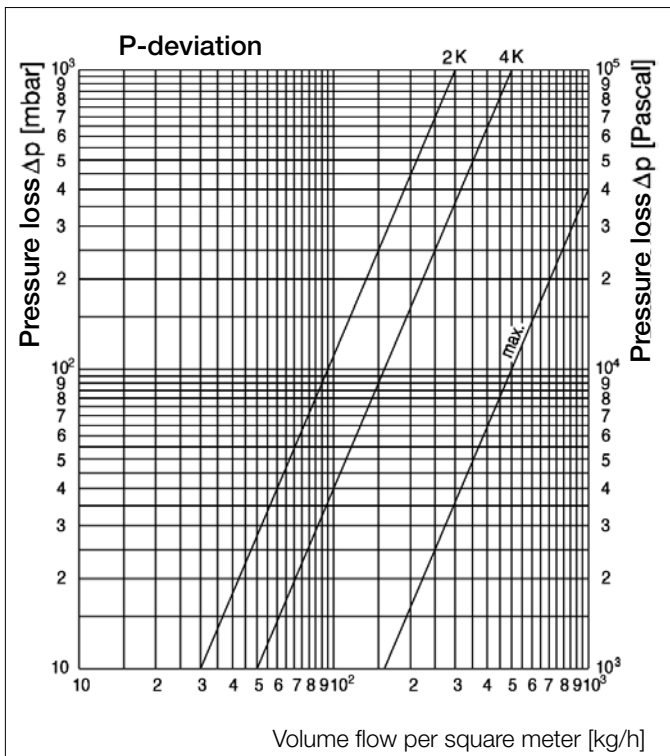
Pressure loss diagrams for high efficiency pump, RTB and RTBR

Characteristics of the high efficiency pump

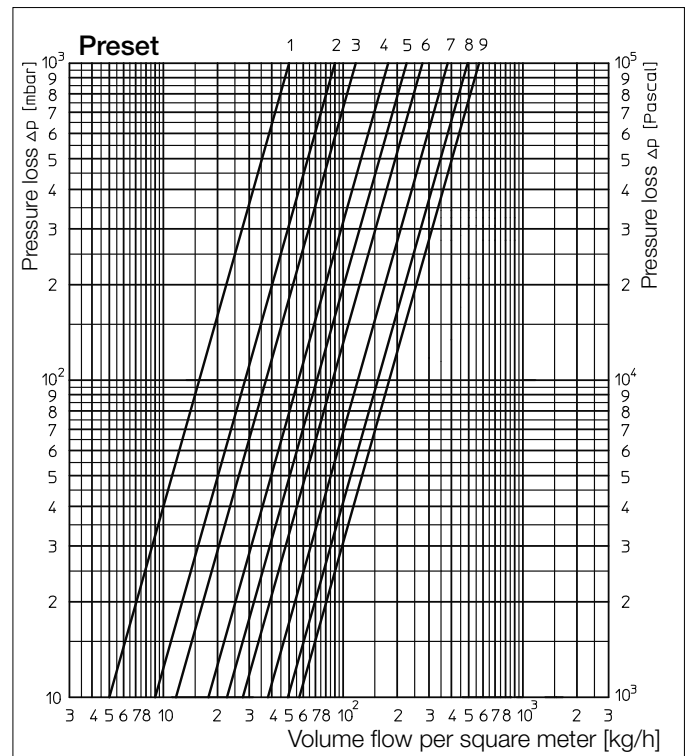
Constant differential pressure control Δp



Pressure loss diagram for room temperature limit valve of Schlüter-BEKOTEC-THERM-RTB/-RTBR



Pressure loss diagram for room temperature valve of Schlüter-BEKOTEC-THERM-RTBR



Attachment I.II

Impact sound measurement

Sound measurements

Applicable standards: DIN 4109

Testing institute:

Acoustics laboratory of CSTC Belgium

Structure:

Concrete base

Insulation layer

BEKOTEC

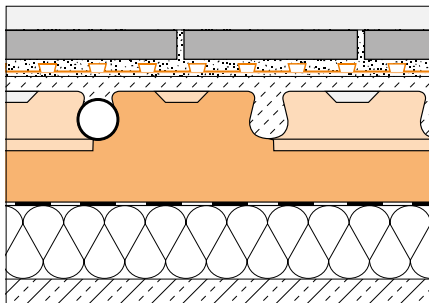
Screed

Thin bed tile adhesive

DITRA

Thin bed tile adhesive

Ceramic tiles



Requirements for multi story buildings with apartments and work spaces ≤ 50 dB

Insulation layer (test material)	Area: 4.17 m x 4.20 m	
	tested values in dB (acc. to test certificate)	* calculated sound values in dB
Raw concrete slab	75	
BEKOTEC without sub insulation		66
BEKOTEC with polystyrene 22/20	48	
BEKOTEC with BTS		56

* Values were determined and estimated on a comparative area



Attachment II.I



Project specification sheet

Construction project:: Name: _____
 Address: _____
 Postal code, city: _____
 Phone/ fax: _____
 E mail: _____

Developer: Name: _____
 Address: _____
 Postal code, city: _____
 Phone/ fax: _____
 E mail: _____

Architect: Name: _____
 Address: _____
 Postal code, city: _____
 Phone/ fax: _____
 E mail: _____

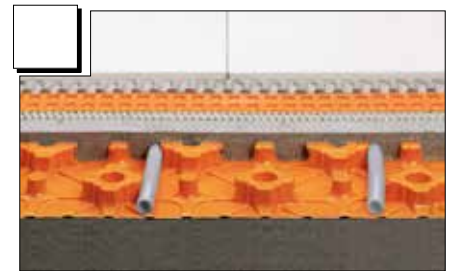
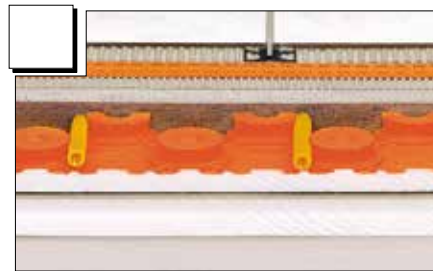
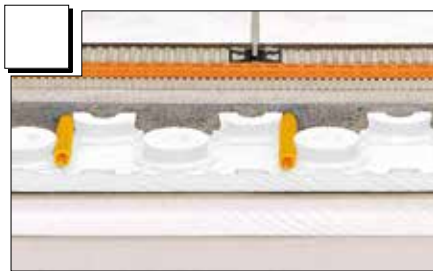
System installation contractor: Name: _____
 Address: _____
 Postal code, city: _____
 Phone/ fax: _____
 E mail: _____

Selected system (please check):

With **Schlüter-BEKOTEC-EN 2520 P**
 For traditional sand and cement screed

With **Schlüter-BEKOTEC-EN 1520 PF**
 for flowing screeds

With **Schlüter-BEKOTEC-EN 23 F**
 Made of high impact structured polystyrene



Selected control technology

- Room sensor for heating/cooling Room sensor for heating/cooling WL (wireless)
 Timer unit Timer unit

Project support

- Material calculation / Quotation for Schlüter-BEKOTEC-THERM components
 Floor heating design, table format:
 Heating load calculation (Attachment I.III required)
 Control module extension timer/ digital clock

Engineering cost: _____ €
 Engineering cost: _____ €
 Engineering cost: _____ €

Submitted documents and drawings

- U value as shown in Attachment I.II, otherwise according to GEG
 Drawings, scale 1:50 / 1:100
 Drawing in DXF/ DWG format
 Heating load calculation as per DIN EN 12831
 Specify air circulation, otherwise according to DIN EN 12831, Attachment 1, Table 6
 Air circulation with HVAC equipment, please indicate for each room in the drawing

Attachment II.I



Project specification sheet

Construction project:: Name: _____
 Address: _____
 Postal code, city: _____
 Phone/ fax: _____
 E mail: _____

Developer: Name: _____
 Address: _____
 Postal code, city: _____
 Phone/ fax: _____
 E mail: _____

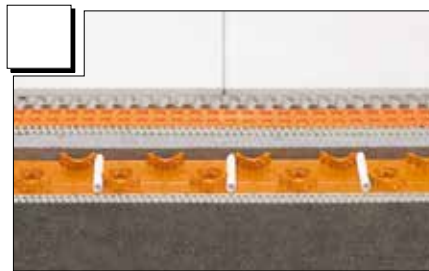
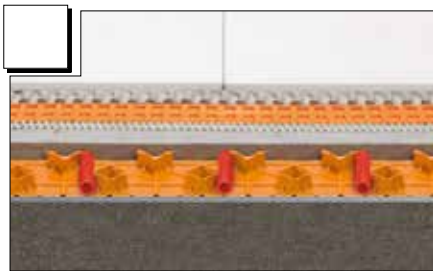
Architect: Name: _____
 Address: _____
 Postal code, city: _____
 Phone/ fax: _____
 E mail: _____

System installation contractor: Name: _____
 Address: _____
 Postal code, city: _____
 Phone/ fax: _____
 E mail: _____

Selected system (please check):

With **Schlüter-BEKOTEC-EN 18 FTS**
 with integrated sound insulation
 Installation directly on load bearing substrate

With **Schlüter-BEKOTEC-EN 12 FK**
 Installation directly on load bearing
 substrate



Selected control technology

- Room sensor for heating/cooling Room sensor for heating/cooling WL (wireless)
 Timer unit Timer unit

Project support

- Material calculation / Quotation for Schlüter-BEKOTEC-THERM components
 Floor heating design, table format:
 Heating load calculation (Attachment I.II required)
 Floor heating design drawing (Attachment I.II required):

Engineering cost: _____ €
 Engineering cost: _____ €
 Engineering cost: _____ €

Submitted documents and drawings

- U value as shown in Attachment I.II, otherwise according to GEG
 Drawings, scale 1:50 / 1:100
 Drawing in DXF/ DWG format
 Heating load calculation as per DIN EN 12831
 Specify air circulation, otherwise according to DIN EN 12831, Attachment 1, Table 6
 Air circulation with HVAC equipment, please indicate for each room in the drawing



Attachment II.I



Project specification sheet

Floor coverings:

Tiles = _____ (rooms)
 Carpet = _____ (rooms)
 Parquet = _____ (rooms)
 Other = _____ (rooms)

Known non covered areas (air space, bath tub, shower):

Room: _____ Size: _____ m²
Room: _____ Size: _____ m²
Room: _____ Size: _____ m²

Location of distributor (please enter into the sketch or drawing if possible):

Basement: _____ Position
Ground level: _____ Position
Upper floor: _____ Position
Loft: _____ Position

Internal temperatures according to DIN EN 12831 (enter in drawing):

Living room/dining areas/kitchen/bedrooms 20 °C
Staircases 15 °C
Bathrooms 24 °C

Differing interior temperatures, if desired for your project:

Room: _____ Ti = _____ °C
Room: _____ Ti = _____ °C
Room: _____ Ti = _____ °C
Room: _____ Ti = _____ °C

Information about the heating system	Supply temperature
<input type="checkbox"/> Approx. supply temp of heat pump: 30-45 °C	_____ °C
<input type="checkbox"/> Thermal solar system with heating support	_____ °C
<input type="checkbox"/> Condensed heat generator (boiler) (natural gas/oil), approx. supply temp: 35-50 °C	_____ °C
<input type="checkbox"/> Utility supplied heat (e.g. municipal utility plant)	_____ °C
<input type="checkbox"/> Low temperature heat generator (natural gas/oil), approx. supply temp: 75 °C	_____ °C
<input type="checkbox"/> _____	_____ °C

Offer/ drawing required by: _____

Architect/developer: _____ Date: _____

Signature: _____

Note: All calculations, specifications and dimensions are intended to support the project design, but cannot serve as project plans in their own right. They must be reviewed and adapted at the sole responsibility of a qualified engineer to verify suitability for a specific purpose.

Attachment II.II



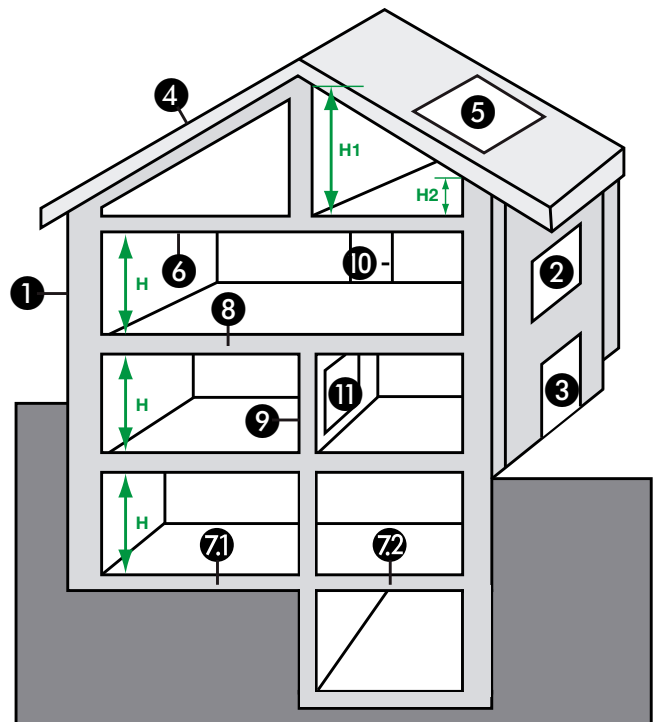
Building description

- New structure pursuant to EnEV
- Existing structure ____ Year built: _____
- Renovation pursuant to EnEV. Year built: ____

Winter gardens (or similar) require Attachment I. III!

	Please enter thicknesses of layers if U value is unknown	U values W/(m ² K) for your project *1			
		Base-ment	Ground Floor	Top Floor	Loft
➔ ➊ External wall 1.1 _____ cm					
Layer 1 _____ cm material					
Layer 2 _____ cm material					
Layer 3 _____ cm material					
Layer 4 _____ cm material					
➔ ➋ External wall 1.2 _____ cm					
Layer 1 _____ cm material					
Layer 2 _____ cm material					
Layer 3 _____ cm material					
Layer 4 _____ cm material					
➔ ➌ External window *2					
➔ ➍ External door					
➔ ➎ Roof					
➔ ➏ Roof light *2					
➔ ➐ Ceiling adjacent to unheated space					
➔ 71 Floor adjoining ground (earth)					
➔ 72 Floor adjacent to unheated space					
➔ 8 Floor adjacent to heated space					
➔ 9 Internal wall _____ cm					
➔ 10 Internal door					
➔ 11 Internal window					

	Ceiling height [m]			
	Base-ment	Ground Floor	Top Floor	Loft
H				
H				
H				
H				
H1				
H2				



➔ **Mandatory field (if component exists)**

*1 Project specific U values are required for technical calculations on our heating system

*2 If U values and window sizes are unknown, please complete Attachment I.III – Window specifications

Maximum surface temperatures according to DIN EN 1264

Living zone: 29 °C
 Peripheral zone: 35 °C
 Bathrooms: 33 °C

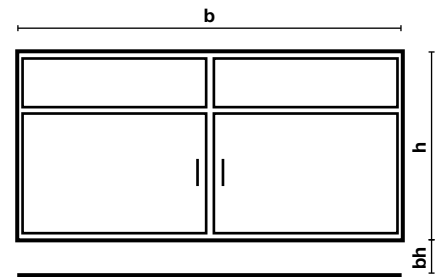
Your desired maximum floor surface temperatures, if different/required

Living zone: ____ °C
 Peripheral zone: ____ °C
 Bathrooms: ____ °C



Attachment II.III

Window specifications



Project no.: _____

Construction project: _____

							... or	... Enter information here if K value total is unknown			
Floor level	Room	Window position no.*	Window width b [m]	Window height h [m]	Parapet height bh [m]	Total K value** [W/m ² K]	Manufacturing date***	Single glass/K value***	Double glass/K value***	Triple glass/K value***	

* Please number the windows with reference to positions in the drawings.

** Total K value refers to windows and frames.

*** This information is generally found in printed or embossed form on the metal connector between the glass panes. The label often also shows the K value of the window without the frame.

Further information on winter garden/conservatory

Type of utilisation:

- Fully used residential space with desired interior temperature of _____ °C
- Base temperature _____ °C
- Floor heating only (other heating is covered by existing radiators/convection heaters)

Transition from winter garden/conservatory to building:

- Open design
- Closed design
- Winter garden is not connected to building

Roof area of winter garden/conservatory is:

- Fully made of glass with a K value of _____ [W/(m² K)]
- _____ % made of glass (K1) / _____ % ceiling cover (K2)... with a K value of K1 _____ [W/(m² K)] / K2 _____ [W/(m² K)]
- Insulated with a K value of _____ [W/(m² K)]
- Non-insulated with a K value of _____ [W/(m² K)]

Additional heaters are:

- Not planned
- Planned - output of radiators/convection heaters: _____ W.

Attachment III



Filling, flushing and venting the Schlüter®-BEKOTEC-THERM heating circuits

I. Preconditions

1. The leak seal test has been recorded in accordance with the specifications of DIN EN 1264-4.
2. The entire system is disconnected from all power sources and protected from frost.
3. Filling, flushing and venting should be monitored by a qualified technician.
The subcontractor should specify a fixed procedure for filling and flushing, using the available system specifications.
4. The available connection pressure and the flow velocity are guaranteed based on the use of suitable filling equipment.
5. The connection to the water supply must comply with the applicable regulations.
6. The fill water quality meets the requirements of VDI Guideline 2035 or has been passed through a water processing unit.

II. Procedure to fill and vent the Schlüter-BEKOTEC-THERM systems. The system must be filled and flushed in accordance with the following pattern.

Close the ball valves **A** at the heating circuit distributor.

Open the flow meters **B** as described on page 52.

Slowly and carefully fill and flush the system, circuit by circuit, working from the lowest heating circuit distributor to the next level. The safest method is to flush the heating circuits individually in sequence.

The water flow is routed through the fill/drain point **C** at the supply line of the distributor bar (HVT/DE or HVP).

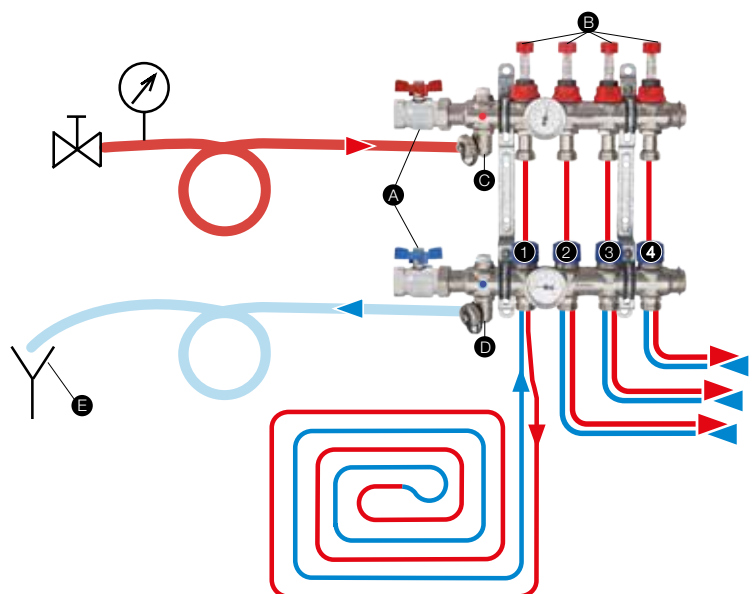
The drainage is connected to the return line **D** and routed to an open drainage/outflow **E**, where the water flow is visible.

By opening and closing the manual regulation caps (1-4), every heating circuit can now be flushed individually, until no further air bubbles come through the connected drain.

The remaining air in the heating circuit distributor bar is removed through the manual venting valves. A hydraulic adjustment must be performed as described on page 52 prior to the first heating.

The requirements described in the section "Installation notes and system start up for various floor coverings" on page 80 ff. also must be observed.

- A** Ball valves
- B** Flow meter
- C** Filling / draining cock supply line
- D** Filling / draining cock return line
- E** Outflow





Attachment IV



Pressure sample report

Construction project: Address: _____

Postal code, city: _____

Heating Engineer: Name: _____

Address: _____

Postal code, city: _____

Phone / Fax: _____

Construction segment: _____

Level/ apartment: _____

Start of test: Date _____ Time _____

Ambient temperature: _____ °C Water temperature: _____ °C

Max. operating pressure: _____ bar

Requirements/prerequisites:

The leak seal of the system is verified with a water pressure test prior to installing the screed. The test pressure is double the operating pressure, and at least 6 bar. The test pressure must be restored 2 times within thirty minutes, in intervals of 10 minutes. The pressure loss in the subsequent 30 minutes may not exceed 0.6 bar (0.1 bar every 5 minutes). This pressure must be maintained during the installation of the screed.

Note: The system must be protected from freezing.

Test points

Visual inspection of all joints to verify proper installation yes no

System components such as expansion vessel

and safety valve with nominal pressures that are not at least equal

to the test pressure are to be excluded from the test yes no

System has been filled with cold water, flushed and completely vented yes no

Visual inspection of all joints to verify tightness yes no

Initial test pressure*: _____ bar Time: _____

* The drop of initial test pressure due to pipe expansion must be offset. Factors to consider include temperature fluctuations.

Final test pressure: _____ bar Time: _____

During the test period, the system was leakproof yes no

No permanent form changes of construction components were apparent.

Certification of tester:

Place / date _____ Signature / Company stamp _____

Attachment V



Heating up and cure heating Schlüter®-BEKOTEC-THERM with non ceramic coverings

We hereby certify that we are familiar with the following conditions of the manufacturer, **Schlüter-Systems KG, Iserlohn**:

Heating / heat curing:

The screed can be heated after 7 days. The supply temperature is increased by ≤ 5 °C a day to a maximum of 35°, starting from 25° water temperature. This temperature must then be maintained until the screed is fully cured. The covering is installed on a cooled down system.

Certification / explanation

Project: _____

Company: _____

We hereby confirm that the following manufacturer requirements were met.

- a) The screed was not heated within the first 7 days after the installation
(differing manufacturer specifications must be observed)
- b) The heating process was begun after _____ days
 with a supply temperature of 25 °C
 The screed was not heated
- c) Heating table

Days of heat curing	Target supply temperature	Read supply temperature	Date, time	Reviewed by
Day 1	25 °C			
Day 2	30 °C			
Day 3	max °C			
Day 4	max °C			
Day 5	max °C			
Day 6	max °C			

The heating process was completed on _____.

System installation contractor: _____ Architect / developer: _____



Appendix VI



Moisture CM Measurement Protocol

Client: _____

Project: _____

Screed age: _____

- CT** (cement screed)
- CA** (gypsum based screed)
- CTF** (flowing cement screed)
- CAF** (flowing gypsum-based screed)

Strength class: _____

- on insulation
- heated
- unheated

Moisture content of screeds with relevance for screed readiness*

Floor covering	CT - CTF heated/unheated	CA - CAF heated	CA - CAF unheated
Ceramic tile/natural stone in conjunction with Schlüter®-DITRA	–	≤ 2.0 %	≤ 2.0 %
Textile and vinyl coverings, parquet and laminate	≤ 1.8 %	≤ 0.5 %	≤ 0.5 %

* Please observe the corresponding product data sheets and installation guidelines of the floor covering manufacturer regarding residual moisture in the screed.

Note: Certificate forms for heat curing can be found in *Attachment V*.

Measurement	Place	Weight (g)	Measured pressure (bar)	Water content (%)
1				
2				
3				
4				
5				

Screed area to be covered: _____ m²

Comments / witness: _____

Date / Signature

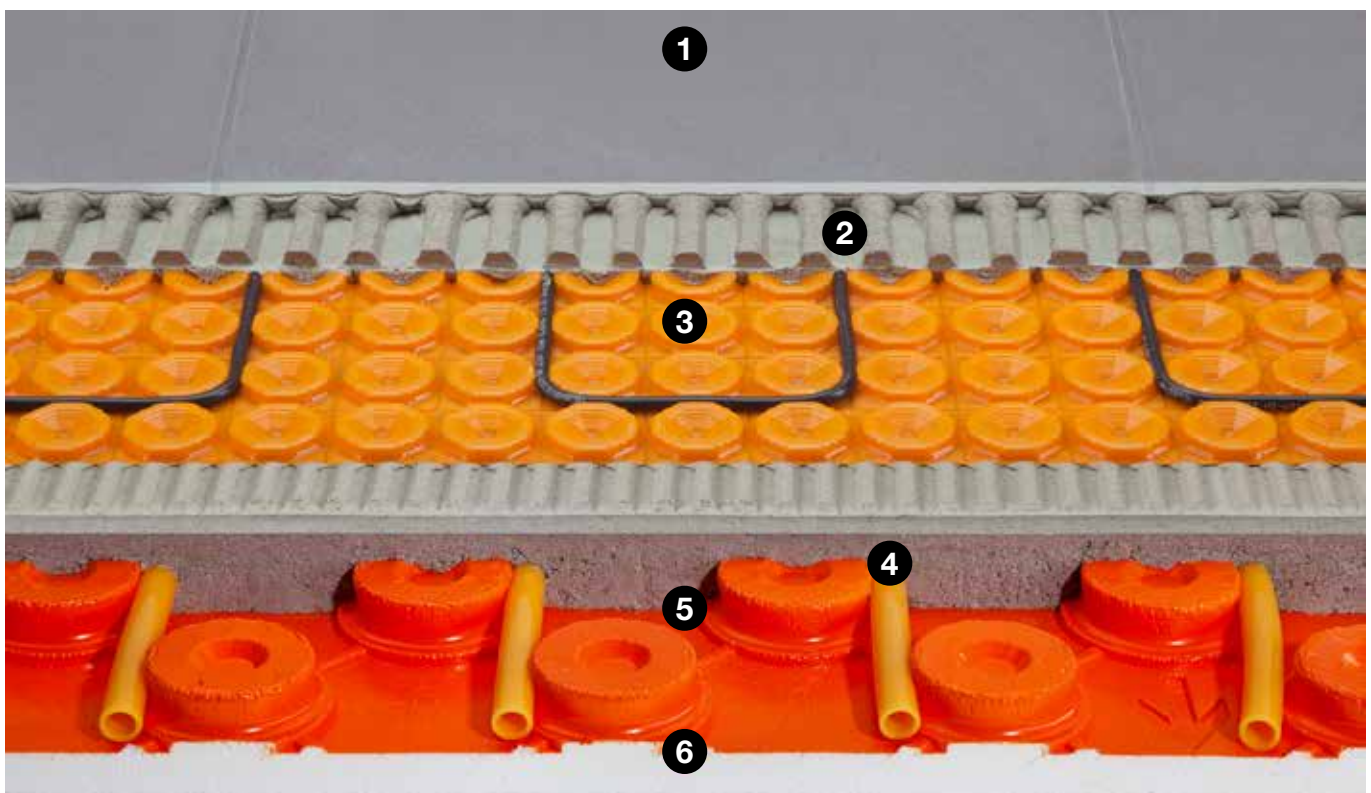
Date / Signature of customer

Schlüter®-DITRA-HEAT-E in combination with Schlüter®-BEKOTEC-THERM

The uncoupling and warming system Schlüter-DITRA-HEAT-E is an optimal supplement for Schlüter-BEKOTEC-THERM when it comes to year-round floor temperature control.

Using the central heating system exclusively for the bathroom is not an economical choice, especially in seasonal transition periods in the spring or autumn. During these times of the year, warming the floor with DITRA-HEAT-E can be a helpful supplement for BEKOTEC-THERM.

Since the heating cable is installed directly underneath the ceramic tile covering, the system is highly responsive. When installed in floor-level showers, DITRA-HEAT-E also assists with the quick drying of the shower area to actively prevent mould growth.



- | | | |
|--|---|--|
| 1 Ceramic covering | 3 Schlüter®-DITRA-HEAT | 5 Schlüter®-BEKOTEC-EN |
| 2 Schlüter®-DITRA-HEAT-E-HK heating cable | 4 Schlüter®-BEKOTEC-EN HR heating pipe | 6 sub-floor insulation (DEO or DES) |

i

Note:

We don't recommend using Schlüter-DITRA-HEAT-DUO over Schlüter-BEKOTEC-THERM since the 2-mm fleece layer would interfere with the heat dissipation of the warm water floor heating system.



Regulating Schlüter®-BEKOTEC with Schlüter®-DITRA-HEAT-E-Controller

Small tasks don't always need their own solutions.

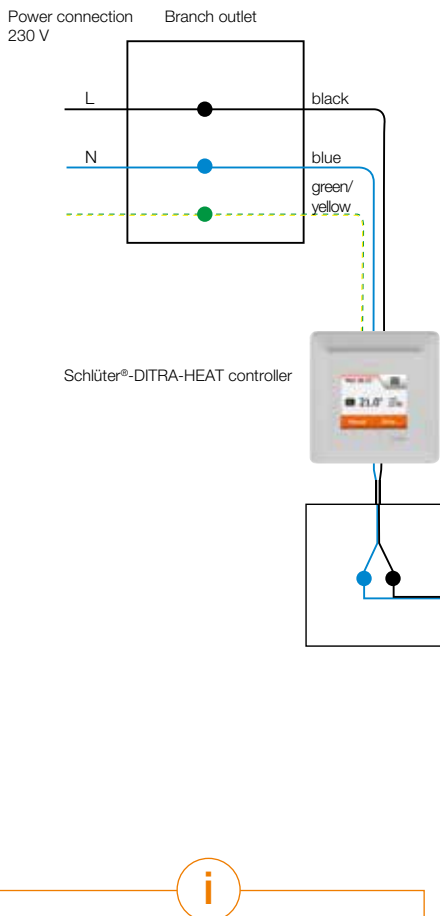
The Schlüter-DITRA-HEAT-E-Controllers with room control function (exception: analogue DITRA-HEAT-E-Controller RT4) can also be used to operate our actuators Schlüter-BEKOTEC-THERM BTESA 230 V2. That can be an advantage in projects involving individual rooms, exhibit spaces or car dealerships.

Please contact our Technical Sales Department for further information.

Example: 2 rooms with 3 heating circuits and 3 actuators each

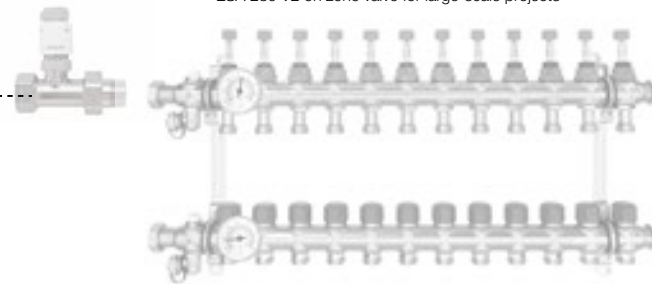
Standard control components	Control component with DH controllers
6 x actuator ESA 230 V2	6 x actuator ESA 230 V2
2 x room sensor ER	—
1 x base module EBC	—
1 x timer EET	—
1 x connection module EAR	—
—	2 x DH controller

Connection diagram:

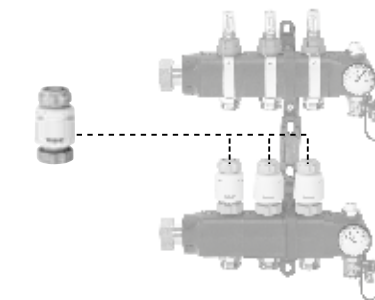


Application examples

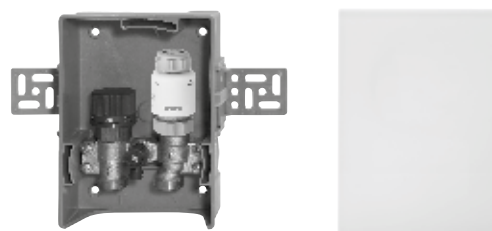
ESA 230 V2 on zone valve for large-scale projects



ESA 230 V2 actuator for individual control



ESA 230 V2 actuator for regulating individual rooms



Note:

Schlüter®-DITRA-HEAT-E-Controller

Select "Room" in the "Sensor application" menu item. When this application is selected, no floor sensors are required.

Schlüter®-DITRA-HEAT-E

Electrical wall heating – Covers additional heat requirement in the bathroom

Due to their size, bathrooms are often difficult to heat with a floor heating system. In such cases, the electrical wall heating system Schlüter-DITRA-HEAT-E serves as a perfect complement to the ceramic thermal comfort floor to cover the existing heat demand. The zones to be heated can be individually adapted to the requirements of developers and users, for example by integrating a heated wall in a shower area.

- ✓ Durable and maintenance-free.
- ✓ Easy to retrofit.
- ✓ Fast heat-up response.
- ✓ Simple to install.
- ✓ Low assembly height.
- ✓ Convenient complete sets.

For more information, visit our website at: www.schluter.com



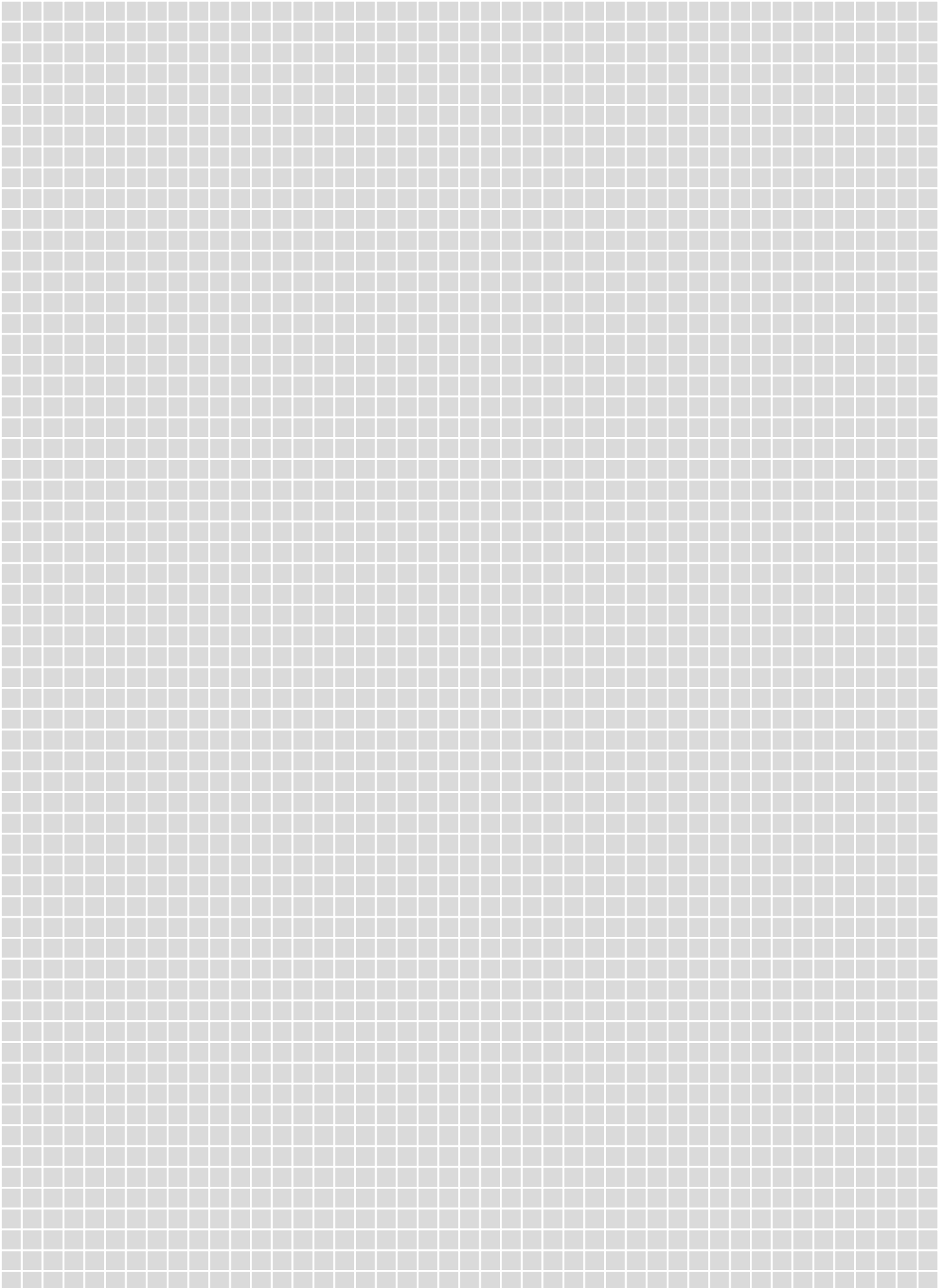
© Atlas Concorde



List of standards and regulations referenced in this Schlüter®-BEKOTEC-THERM Manual

DIN EN 1264-1	Water based surface embedded heating and cooling systems Part 1: Definitions and symbols
DIN EN 1264-2	Water based surface embedded heating and cooling systems Part 2: Floor heating: Prove methods for the determination of the thermal output using calculation and test methods
DIN EN 1264-3	Water based surface embedded heating and cooling systems Part 3: Dimensioning
DIN EN 1264-4	Water based surface embedded heating and cooling systems Part 4: Installation
DIN EN 1264-5	Water based surface embedded heating and cooling systems Part 5: Heating and cooling surfaces embedded in floors, ceilings and walls - Determination of the thermal output
DIN EN 1991-1-1	Eurocode 1: Actions on structures - Part 1-1: General actions - Densities, self-weight, imposed loads for buildings
Coordination of interfaces	BVF coordination of interfaces for radiant heating and cooling systems in existing buildings
DIN 18560-1	Floor screeds in building construction Part 1: General requirements, testing and construction
DIN 18560-2	Floor screeds in building construction Part 2: Floor screeds and heating floor screeds on insulation layers
DIN 18202	Tolerances in building construction - Buildings
DIN 4109	Sound insulation in buildings
DIN 4108 - 6	Thermal insulation and energy economy in buildings Part 6: Calculation of annual heat and energy use
DIN 4108 - 10	Thermal insulation and energy economy in buildings Part 10: Application-related requirements for thermal insulation materials - Factory made products
DIN EN 13813	Screed material and floor screeds - Screed materials - Properties and requirements
DIN 18534-2	Waterproofing for indoor applications Part 2: Waterproofing with waterproofing materials in sheet form
DIN EN ISO 10140	Acoustics - Laboratory measurement of sound insulation of building elements Part 3: Measurement of impact sound insulation
DIN 16833	Polyethylene pipes of raised temperature resistance (PE-RT) - PE-RT Type I and PE-RT Type II - General quality requirements, testing
DIN 16834	Polyethylene pipes of raised temperature resistance (PE-RT) - PE-RT Type I and PE-RT Type II - Dimensions
DIN 4724	Plastic piping systems for warm water floor heating systems and radiator pipe connecting - Cross-linked polyethylene of medium density (PE-MDX)
DIN 4726	Warm water surface heating systems and radiator connecting systems - Plastic piping systems and multilayer piping systems
DIN 18365	German construction contract procedures (VOB) - Part C: General technical specifications in construction contracts (ATV) - Flooring works
DIN 1055	Actions on structures
DIN EN 12831	Energy performance of buildings - Method for calculation of the design heat load

The standards and regulations referenced in this BEKOTEC-THERM Manual are applicable in their version in effect at the time of printing.





... made by Schlüter-Systems
www.bekotec-therm.co.uk



Bundesverband Flächenheizungen
und Flächenkühlungen e.V.



www.bekotec-therm.com



Your authorised dealer:



PROFILE OF INNOVATION

Schlüter-Systems KG · Schmölestraße 7 · D-58640 Iserlohn
Tel.: +49 2371 971-0 · Fax: +49 2371 971-1111 · info@schlueter.de · bekotec-therm.com