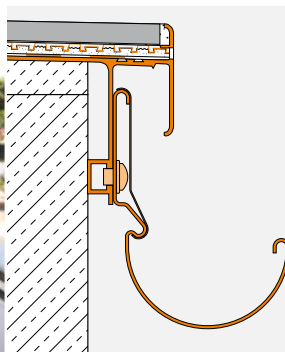




# Schlüter®-BARIN

The reliable drainage system





## Application and Function

**Schlüter®-BARIN** is a gutter system for balconies and terraces. All required accessories (e.g. mounting screws, internal and external corners, connectors, end caps, outlets, down pipes and spouts) are available.

**Schlüter®-BARIN** is connected with mounting screws to the balcony edging profiles, **Schlüter®-BARA-RTK / -RTP / -RKLT / -RTKE / -RTKEG**. Elongated slots at the back of the gutter make it possible to slope the gutter up to 30 mm.

## Material

**Schlüter®-BARIN** gutter components, including covers, end caps, internal and external corners and connectors, are made of colour coated aluminium.

Additional prefabricated components of the **Schlüter®-BARIN** gutter system, such as down pipes, pipe clamps, elbows, tee pipes, spouts, adjustable spouts and clip on connectors are also made of colour coated aluminium.

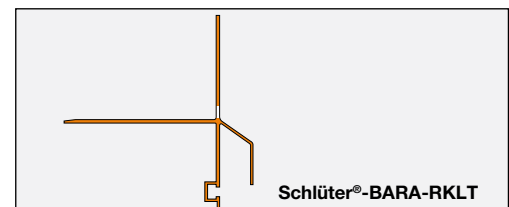
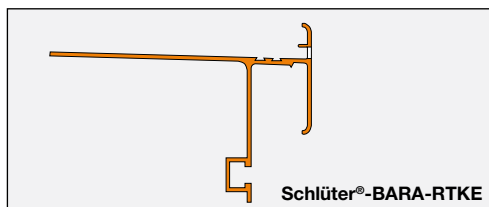
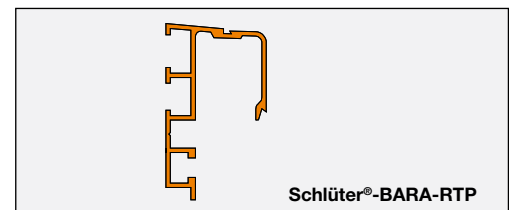
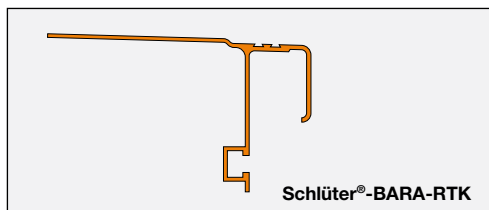


**Schlüter®-BARIN** can be screw mounted to the following **Schlüter®-BARA** edge profiles:

**Schlüter®-BARA-RTK / -RTKE** are installed above the finished screed at the edge of the balcony.

**Schlüter®-BARA-RTP** can be retrofitted to the balcony fascia.

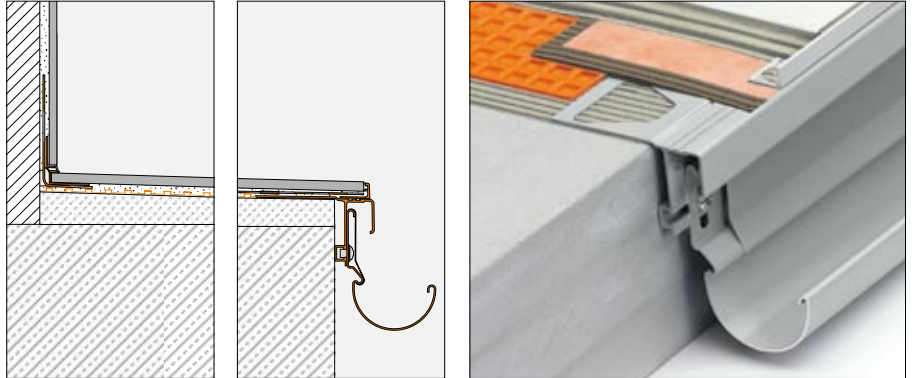
At the edge of the balcony, the closed anchoring leg of **Schlüter®-BARA-RKLT** is incorporated into the waterproofing assembly.



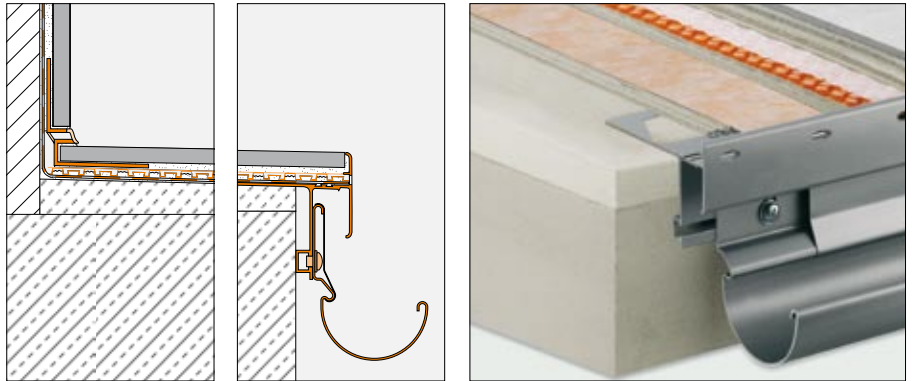


## Schlüter®-BARIN and Schlüter®-BARA: Simple Solutions for Edge Areas

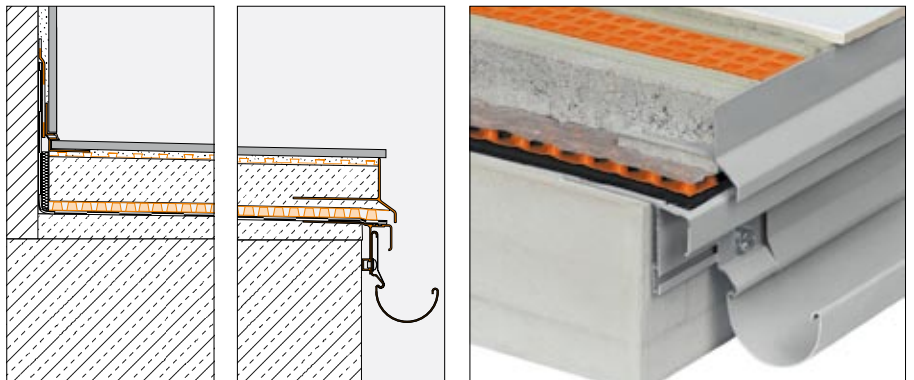
Schlüter®-BARIN gutter, Schlüter®-DITRA bonded waterproofing membrane and Schlüter®-BARA-RTK edging profile in a balcony assembly.



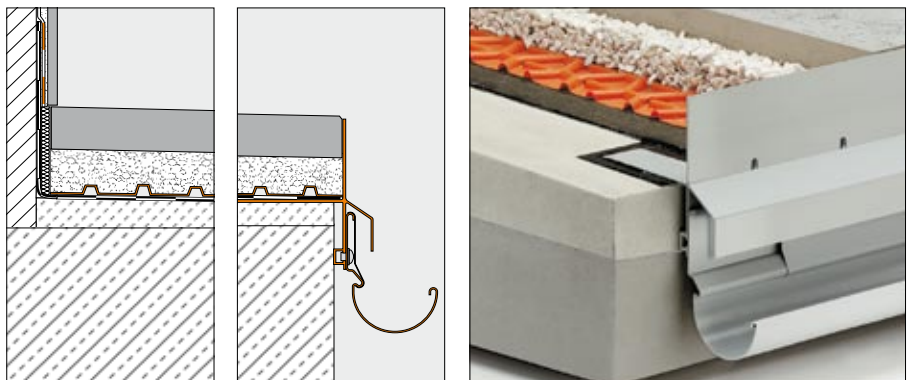
Schlüter®-BARIN as a drainage channel in a balcony construction with Schlüter®-DITRA-DRAIN as a drainage assembly and the Schlüter®-BARA-RTKE balcony finishing profile.



Schlüter®-BARIN gutter in a balcony assembly with a bituminous waterproof membrane. The Schlüter®-TROBA-PLUS drainage membrane and screed are placed above the waterproofing layer. The tiles are installed in the thin-bed method over the Schlüter®-DITRA uncoupling and waterproofing membrane.



Schlüter®-BARIN acting as a drainage channel for a balcony assembly with bitumen waterproofing. The area drainage system Schlüter®-TROBA and a load distribution layer of gravel or crushed stone are laid on top. Large format pavers are loosely installed over it.





## Installation of Schlüter®-BARIN



1. **Schlüter®-BARIN** gutter components are cut to size and connected to the **Schlüter®-BARA** profile with the screws provided. The slots allow the gutter to be sloped, if required.



2. A waterproof connection between two abutting gutter sections is achieved by centring a connector over the joint.



3. The rubber seal ensures a waterproof connection at the joints.



4. For inside and outside corners, the corner pieces are attached using two connectors centred over the joint.



5. To connect a down pipe, a gutter section with an outlet of approximately 20 cm is attached with two clip on connectors, which are centred over the gutter joints.



6. The end caps are held against the gutter from below and attached with a connector.



7. The screws and slots are covered by clipping on the cover profile.



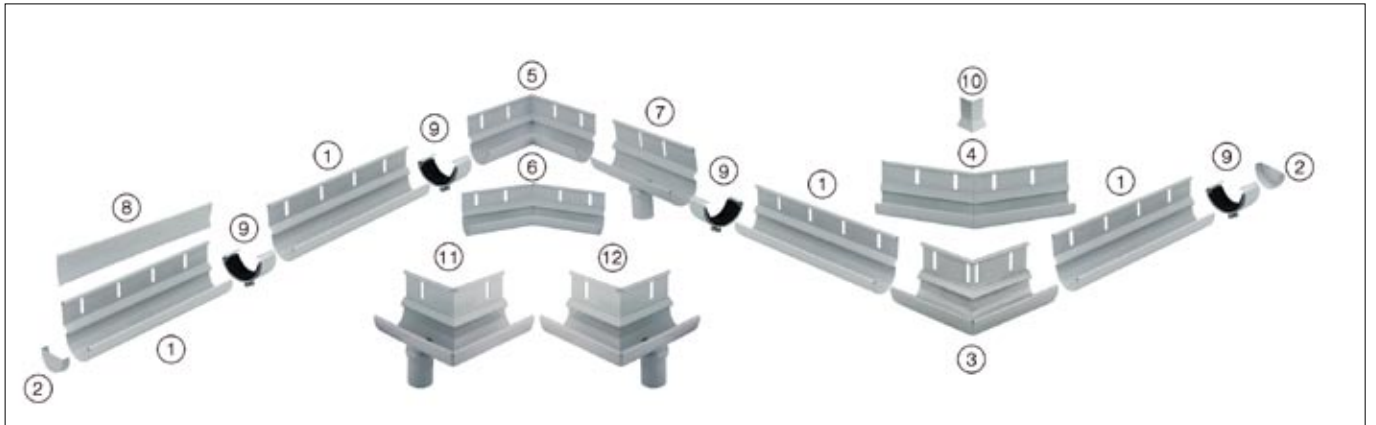
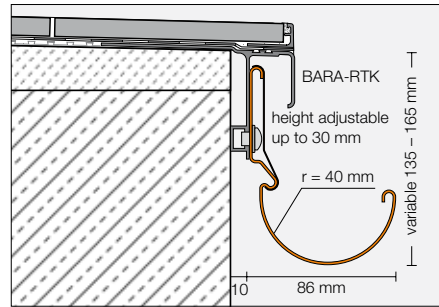
8. The last step is to fix the edge covers. A gutter system is created in just a few installation steps, with no special tools giving

- reliable function
- aesthetic design.



### Schlüter®-BARIN-SR

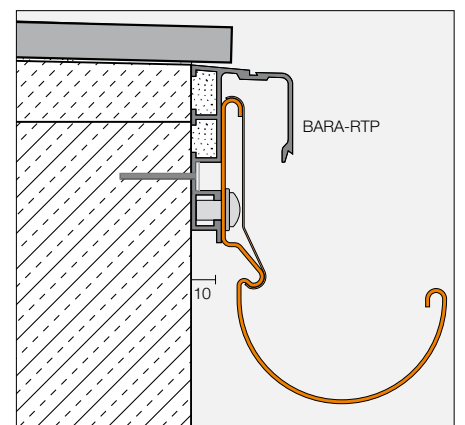
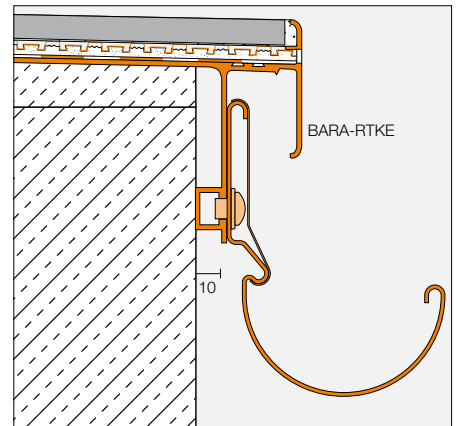
Schlüter®-BARIN-SR is a gutter system made of colour coated aluminium for the drainage of balconies and terraces. It can be attached to the matching Schlüter®-BARA profiles.



### Schlüter®-BARIN-SR AC

Colour coated aluminium

Article	Art.-No.
a) BARIN gutter set 2.50 m 1 gutter 2.50 m (1) 1 cover profile 2.50 + 0.50 m (8) 1 connector (9), 8 screws	BSR4 R 250...*
b) BARIN gutter set 1.50 m 1 gutter 1.50 m (1) 1 cover profile 1.50 + 0.50 m (8) 1 connector (9), 4 screws	BSR4 R 150...*
BARIN end cap set 2 end caps (2) 2 connectors (9)	BSR4 E 2...*
BARIN 90° corner set 1 corner (3), 2 connectors (9) 1 corner piece for cover profile (10)	BSR4 EWG 90...*
BARIN-Set external corner 90°, outlet to the left 1 corner (11), 2 connectors (9) 1 corner piece for cover profile (10)	BSR4 E 90 L DN60 ...*
BARIN-Set external corner 90°, outlet to the right 1 corner (12), 2 connectors (9) 1 corner piece for cover profile (10)	BSR4 E 90 R DN60 ...*
BARIN 135° corner set 1 corner (4), 2 connectors (9) 1 corner piece for cover profile (10)	BSR4 EWG 135...*
BARIN 90° internal corner set 1 corner (5) 2 connectors (9)	BSR4 IWG 90...*
BARIN 135° internal corner set 1 corner (6) 2 connectors (9)	BSR4 IWG 135...*
BARIN gutter outlet set 1 gutter 20 cm with outlet (7) 2 connectors (9), 2 screws	BSR4 A DN 60...*



Schlüter®-BARIN-SR-E are 90° outside corners with integrated coupling for connection with Schlüter®-BARIN system pipes (Ø 60 mm).

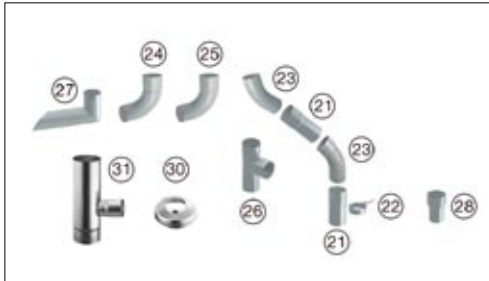
\* to complete the Art.-No., add the colour (e.g. BSR4 R 250 GM). Colours: BW - GM - HB - PG - RB - SB

Slight colour variations between individual system components may be due to different materials.



### Schlüter®-BARIN-R

Schlüter®-BARIN-R are matching pipes made of colour coated aluminium, that are available with the corresponding moulded parts.



All gutter pipes are equipped with a transition connector. The clip on connector (18) can be used for connecting two Schlüter®-BARIN system gutters without using a transition sleeve (leftover pieces).

Schlüter®-BARIN-R-SK is a downpipe cap that covers the connection of Schlüter®-BARIN system pipes (Ø 60 mm) to the ground drainage system.

Schlüter®-BARIN-R-AZ is a tee pipe that connects Schlüter®-BARIN system pipes (Ø 60 mm) with the existing downpipes (Ø 110 mm- DN 100) of the roof drainage system.

Schlüter®-BARIN-R AC		
Colour coated aluminium		
Article	Art.-No.	
Down pipe, 1.00 m (21) <i>(Ø 60 mm)</i>	BR 100 DN 60 ...*	
Down pipe, 2.50 m (21) <i>(Ø 60 mm)</i>	BR 250 DN 60 ...*	
Pipe clamp set (22) <i>2 pipe clamps</i> <i>Threaded pin 100 mm</i>	BR RS 100 DN 60 ...*	
Pipe clamp set (22) <i>2 pipe clamps</i> <i>Threaded pin 200 mm</i>	BR RS 200 DN 60 ...*	
Threaded pin 200 mm <i>for pipe clamps</i>	BR SS 200	
Elbow pipe 40° Ø 60 mm (23)	BR B40 DN 60 ...*	
Elbow pipe 72° Ø 60 mm (24)	BR B72 DN 60 ...*	
Elbow pipe 85° Ø 60 mm (25)	BR B85 DN 60 ...*	
Tee pipe Ø 60 mm (26)	BR AZ DN 60 ...*	
Spout 25 cm Ø 50 mm (27)	BR SP 25 DN 50 ...*	
Spout 40 cm Ø 50 mm (27)	BR SP 40 DN 50 ...*	
Connecting sleeve (28)	BR AM DN 60 ...*	

\* to complete the Art.-No., add the colour (e.g. BR 100 DN 60 GM). Colours: BW - GM - HB - PG - RB - SB

Schlüter®-BARIN-R Z/K		
Zinc / Copper		
Article	Art.-No.	
Downpipe cap, zinc, Ø 60 / 116 mm (30)	BR SK DN 60 / 116 Z	
Tee pipe, zinc, Ø 110/60mm (DN 100/60) (31)	BR AZ DN 100 / 60 Z	
Tee pipe, copper, Ø 110/60mm (DN 100/60) (31)	BR AZ DN 100 / 60 K	

### Text template for tenders:

Supply \_\_\_\_\_ linear metres Schlüter®-BARA-R4AC as a gutter system, shaped in a semi circle with a radius of 40 mm and made of colour coated aluminium, for the drainage of surfaces on balconies and terraces and install onto Schlüter®-BARA edging profiles, which cover the exposed edges of balconies and terraces, in a professional manner and according to the manufacturer's specifications.

As well as Schlüter®-BARIN-BR down pipes made of  
 Colour coated aluminium  
 With accessories

Colour: \_\_\_\_\_  
 Art.-No.: \_\_\_\_\_  
 Material: \_\_\_\_\_ £/m  
 Labour: \_\_\_\_\_ £/m  
 Total: \_\_\_\_\_ £/m

Accessory add ons:	Unit Cost	Total
_____ pieces end caps	£ _____	£ _____
_____ pieces corners 90°	£ _____	£ _____
_____ pieces corners 135°	£ _____	£ _____
_____ pieces corners 90°, outlet to the left	£ _____	£ _____
_____ pieces corners 90°, outlet to the right	£ _____	£ _____
_____ pieces internal corners 90°	£ _____	£ _____
_____ pieces internal corners 135°	£ _____	£ _____
_____ pieces down coupling	£ _____	£ _____
_____ m down pipe with pipe clamps	£ _____	£ _____

Accessory add ons:	Unit Cost	Total
_____ pieces elbow pipe 40°	£ _____	£ _____
_____ pieces elbow pipe 72°	£ _____	£ _____
_____ pieces elbow pipe 85°	£ _____	£ _____
_____ pieces tee pipe Ø 60 mm	£ _____	£ _____
_____ pieces spout	£ _____	£ _____
_____ pieces connecting sleeve	£ _____	£ _____
_____ pieces downpipe cap zinc	£ _____	£ _____
_____ pieces tee pipe zinc	£ _____	£ _____
_____ pieces tee pipe copper	£ _____	£ _____