

## Schlüter®-BARA-RWL

Edging profile  
Angled finishing profile

# 5.15

Product data sheet

### Application and Function

**Schlüter-BARA-RWL** is an L shaped finishing profile for large format pavers, which are laid on loose gravel layers or pedestal assemblies above a waterproofing layer (in accordance with DIN 18531) and installed drainage layer.

The trapezoid perforated anchoring leg of Schlüter-BARA-RWL is placed along the edge, on top of the waterproofing layer and adjusted to the correct height and alignment. The vertical finishing leg covers the edge of either the entire surface assembly or just the gravel layer or pedestals. Profile heights from 15 mm to 150 mm allow for any type of edge formation.

Drainage holes, spaced at approximately 7.5 cm, are incorporated at the transition of the anchoring leg and the finishing leg to ensure the correct drainage of any collecting seepage water.

### Material

Schlüter-BARA-RWL is available in colour coated aluminium.

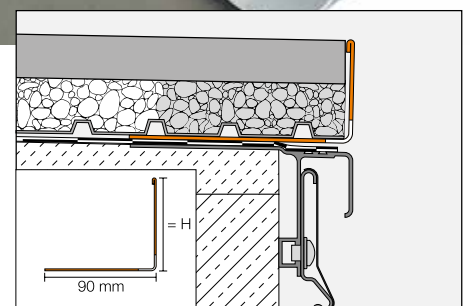


### Material properties and areas of application

Schlüter-BARA-RWL consists of colour coated aluminium, which is roll formed from aluminium sheets.

The coating of the aluminium profile is colour-stable, as well as UV- and weather-resistant. Visible surfaces should be protected against abrasion.

In special cases, the suitability of Schlüter-BARA-RWL must be verified based on the anticipated chemical, mechanical and/or other stresses.





## Installation

1. Select Schlüter-BARA-RWL according to the height of the floor construction to be covered. A prefabricated corner piece is available for external corners. Abut the profile ends of Schlüter-BARA-RWL, leaving a joint of approximately 5 mm. Cover the joint with the snap on connector.
2. Before the drainage mats (Schlüter-TROBA or Schlüter-TROBA-PLUS) are installed, set the trapezoid perforated anchoring leg of the finishing profile, Schlüter-BARA-RWL, onto the waterproofing layer and, if required, adjust to the correct height and alignment with dabs of mortar.
  - 3.1 If Schlüter-BARA-RWL is used as a gravel containment profile, the gravel should reach just below the upper edge of the vertical profile leg, depending on the thickness of the covering. The gravel or crushed stone must be contained to stabilise this edge area. The next step is to install the pavers loosely on the levelled gravel bed.
  - 3.2 If Schlüter-BARA-RWL is used as a finishing profile for pedestal supported coverings, the profile covers the exposed edge of the covering assembly. In this case, the exterior casting mould rings Schlüter-TROBA-STELZ are installed on top of the drainage mat Schlüter-TROBA-PLUS 8G in the area of the trapezoid perforated anchoring legs of Schlüter-BARA-RWL. Then, install the concrete pavers over the casting mould rings.



Example: Loose gravel over Schlüter-TROBA

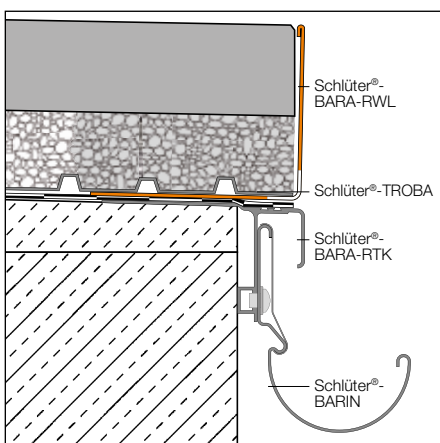
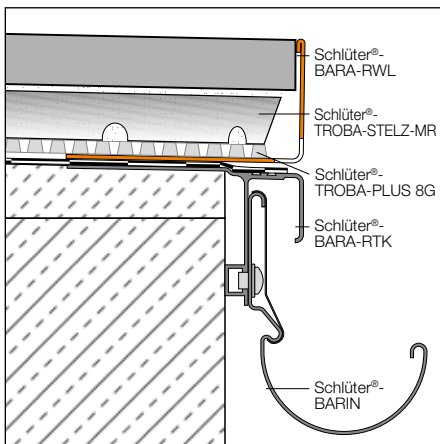
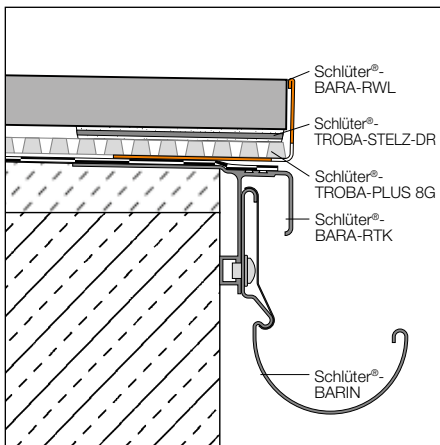
**Note:** To allow for unobstructed water drainage in the edge area of the covering assembly, the drainage openings of the drainage membrane must be kept open during installation. Schlüter-BARA-RHA is available as a height-adjustable finishing profile made of aluminium coated in the same colour. It is inserted into the support profile and is used to finish the exposed perimeters of balconies and terraces. It is suitable for covering assemblies with individual heights up to 220 mm; see product data sheet 5.16.

## Maintenance

Schlüter-BARA-RWL requires no special maintenance or care. The coated surface of the aluminium profile is colourfast and UV resistant. Damaged visible surfaces can be restored with paint.



Schlüter®-BARA-RHA





## Product Overview

### Schlüter®-BARA-RWL

Colours: AG = anthracite grey, BW = brilliant white, GM = grey metallic, PG = pastel grey, SB = black brown

Length supplied: 2.5 m

Colours	AG	BW	GM	PG	SB
H = 15 mm	•	•	•	•	•
H = 25 mm	•	•	•	•	•
H = 30 mm	•	•	•	•	•
H = 40 mm	•	•	•	•	•
H = 55 mm	•	•	•	•	•
H = 75 mm	•	•	•	•	•
H = 95 mm	•	•	•	•	•
H = 120 mm	•	•	•	•	•
H = 150 mm	•	•	•	•	•
External corner 90°	•	•	•	•	•
Connector	•	•	•	•	•

Note: External corners and connectors are identical with those of Schlüter®-BARA-RW

### Text template for tenders:

\_\_\_linear metres of Schlüter-BARA-RWL as an angled finishing profile for exposed perimeters of covering assemblies on balconies and terraces, consisting of coated aluminium with a trapezoid perforated anchoring leg and a vertical leg with drainage openings, to be supplied and professionally installed while observing the manufacturer's instructions.

Matching accessories are

- to be included in the unit price
- to be invoiced separately.

Profile height: \_\_\_\_\_ mm

Colour: \_\_\_\_\_

Art.-No.: \_\_\_\_\_

Material: \_\_\_\_\_./m

Labour: \_\_\_\_\_./m

Total: \_\_\_\_\_./m