

Schlüter®-RONDEC-STEP

Wall corners and edge profiles
for decorative edge protection

2.8

Product data sheet

Application and function

Schlüter-RONDEC-STEP is a finishing profile for kitchen countertops or other shelving with ceramic tile coverings.

The profile is radiused at the top to form a symmetrically rounded edge for tile coverings, then extends down vertically to cover the exposed edge of the work top or step edge.

The aluminium profiles, which are available with two different finishing options, allow for decorative design and create interesting visual contrasts.

The open channel area of Schlüter-RONDEC-STEP-CT can have inset the material used on the surface and is also suitable for holding other decorative elements. In addition to their decorative effect, the profiles also protect tiles in the edge area from mechanical and impact stresses.

Matching pre-fabricated pieces are available to create elegant connections to RONDEC-STEP at internal and external corners.



Material

RONDEC-STEP is made of aluminium and is available in a variety of anodised surface finishing options.

AE = anodised aluminium

ACGB = brushed chrome anodised aluminium

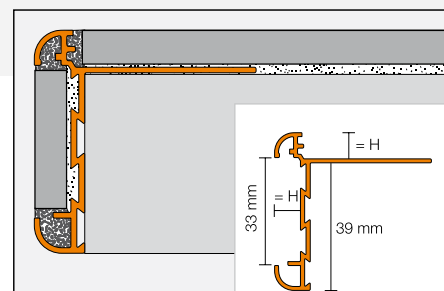
C/A = MyDesign by Schlüter-Systems*

*Schlüter-RONDEC-STEP only

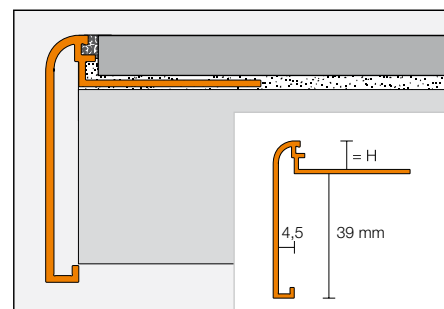
Material properties and areas of application:

RONDEC-STEP comes in a range of materials and surface finishes. In applications exposed to chemical or mechanical stresses, the profile's suitability must be verified. The information provided below is intended as a general guideline.

The aluminium features an anodised finish that retains a uniform appearance during normal use. Surface areas must be protected against abrasion or scratching. Aluminium is sensitive to alkaline media. Cementitious materials, in conjunction with moisture, become alkaline, which may result in corrosion depending on the concentration and length of exposure (aluminium hydroxide formation).



Schlüter-RONDEC-STEP-CT



Schlüter-RONDEC-STEP



For this reason, remove mortar or grouting material immediately from all visible areas and do not cover freshly installed coverings with foil. In addition, ensure that the profile is solidly embedded in the setting material to prevent water from accumulating in small cavities.

Schlüter-RONDEC-STEP-AC (colour coated aluminium): The aluminium is suitably pre-treated and then powder-coated with a polyurethane covering. The coating is colour-stable, as well as UV- and weather-resistant. Visible edges should be protected against abrasion.



RONDEC-STEP-AC (colour coated aluminium) can be ordered as part of the MyDesign by Schlüter-Systems* digital printing in a custom design of your choice (see RONDEC-STEP-AC for further properties).

*The product advisors of our sales service and our Technical Department will be pleased to assist you with any questions you may have about MyDesign by Schlüter-Systems.

Note: Due to different manufacturing processes, slight colour discrepancies may occur between RONDEC-STEP profiles and other Schlüter profiles with anodised surfaces.

Installation

1. Select RONDEC-STEP according to tile thickness.
2. Apply tile adhesive to the area where the perforated anchoring leg will be placed, using a notched trowel.
3. Firmly press the trapezoid-perforated anchoring leg of RONDEC-STEP into the adhesive and align it.
4. Trowel additional tile adhesive over the perforated anchoring leg to ensure full coverage.
5. Solidly embed adjacent tiles and adjust flush with the profile's upper edge. (The profile should not be higher than the tiled surface, but rather up to approx. 1 mm lower). All tiles in the profile area must be solidly bedded.
6. The tile is set tight against the integrated joint spacer, which ensures a uniform grout joint of 1.5 mm.
7. If using Schlüter-RONDEC-STEP-CT, cut the width of the insert to size and attach it with a suitable adhesive.
8. Completely fill the space between the tile and the profile with grout.
9. Use suitable materials and tools for the sensitive surfaces to avoid scratches or other damage. Residue of adhesive, plaster or render should be removed immediately, especially from aluminium finishes.
10. Matching pre-formed internal and external corner pieces are available.

Notes

Schlüter-RONDEC-STEP requires no special maintenance or care. Do not use abrasive cleaning agents on the sensitive surfaces. Damaged anodised surfaces can be restored with paint.



Schlüter-RONDEC-STEP



Schlüter-RONDEC-STEP-CT



Product overview:

Schlüter®-RONDEC-STEP

AE = anodised aluminium /

ACGB = brushed chrome anodised aluminium

AC = colour coated aluminium

Length supplied: 2.50 m

Material	AE	ACGB	C/A*
H = 8 mm	•	•	•
H = 10 mm	•	•	•
H = 12.5 mm	•	•	•
External corner 90°	•	•	•
External corner 135°	•	•	•
Internal corner 90°	•	•	•
Internal corner 135°	•	•	•

* custom printing

Schlüter®-RONDEC-STEP-CT

AE = anodised aluminium /

ACGB = brushed chrome anodised aluminium

Length supplied: 2.50 m

Material	AE	ACGB
H = 8 mm	•	•
H = 10 mm	•	•
H = 12.5 mm	•	•
External corner 90°	•	•
External corner 135°	•	•
Internal corner 90°	•	•
Internal corner 135°	•	•

Text template for tenders:

_____linear metres of Schlüter-RONDEC-STEP, as a finishing profile with trapezoid perforated anchoring leg and a wide visible leg with rounded corners, to be supplied and professionally installed.

The manufacturer's installation instructions must be observed.

Material: _____

AE = anodised aluminium

ACGB = brushed chrome anod. aluminium

C/A = MyDesign by Schlüter-Systems

Profile height: 8 mm 10 mm 12.5 mm

Art.-No.: _____

Material: _____/m

Labour: _____/m

Total: _____/m

Text template for tenders:

_____linear metres of Schlüter-RONDEC-STEP-CT as a finishing profile with trapezoid perforated anchoring leg and a wide open channel area that holds decorative inserts, to be supplied and professionally installed.

The manufacturer's installation instructions must be observed.

Material: _____

AE = anodised aluminium

ACGB = brushed chrome anod. aluminium

Profile height: 8 mm 10 mm 12.5 mm

Art.-No.: _____

Material: _____/m

Labour: _____/m

Total: _____/m

