

Schlüter®-RENO-V

Floor covering profiles
for variable transitions

1.7

Product data sheet

Application and Function

Schlüter®-RENO-V is a profile with an adjustable arm for creating stepless transitions between floor coverings of different heights; e.g. the transition between tile and carpet. In addition, the profile effectively protects the edges of adjacent coverings. The movable transition arm, via a ball-and-socket joint, allows the profile to adjust to the height of the adjacent covering. Thus the occurrence of trip edges between coverings of different heights is eliminated. Schlüter®-RENO-V is also suitable for heavy-duty applications (e.g. entrances to garages or loading docks). In such cases, the adjustable arm is back-filled with mortar. The integrated joint spacer forms a defined joint cavity with the tile.

Material

Schlüter®-RENO-V is available in the following materials:

A = aluminium

AE = anodised aluminium

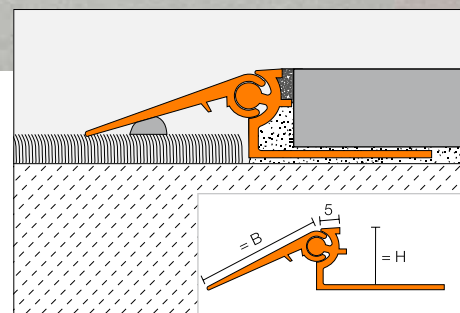
Material properties and areas of application

In special cases, the suitability of a proposed type of material must be verified based on the anticipated chemical, mechanical, and/or other stresses.

The suitability of Schlüter®-RENO-AV, in aluminium, must be verified based on anticipated chemical stresses. Aluminium is sensitive to alkaline substances. Since cementitious materials, in conjunction with moisture, become alkaline, prolonged exposure to these materials may result in



corrosion (aluminium hydroxide formation). Therefore, adhesive or grout residue must be removed immediately from visible surfaces. Schlüter®-RENO-AEV, in anodised aluminium, features an anodised layer that retains its appearance during normal use. The surface, however, must be protected from abrasion. Adhesive and grout can scratch the surface of the profile; therefore, any residue must be removed immediately. Otherwise, the description regarding aluminium applies.





Installation

1. Select the profile height of RENO-V to suit the tile thickness and the method of installation.
2. Apply cementitious tile adhesive over the area that forms the outer boundary of the tile covering with a notched trowel.
3. Firmly press the trapezoid-perforated anchoring arm of the RENO-V into the adhesive and align it.
4. Trowel additional tile adhesive over the whole surface of the perforated anchoring arm
5. Embed the adjoining tiles as completely as possible and adjust them so that the upper lip of the profile is flush with the tile.


Note:

When used in floors, the profile must not be higher than the tiled surface and should preferably be up to approx. 1 mm lower.

6. Lay the tile up to the side joint spacer, which ensures a uniform joint of 1.5 mm.
7. Fill the joint cavity between the tiles and the profile completely with grout. Place the adjustable arm on the adjacent covering and glue with silicone if necessary. In areas subject to heavy loading, the adjustable arm should be backfilled with cementitious tile adhesive or similar.

Notes

RENO-V requires no special maintenance or care. Damage to the anodised surfaces can only be made good by coating with lacquer or similar.

Material	Recommended cutting tools
Aluminium	 <p>Saw blade for nonferrous metals</p>

Follow all safety instructions and requirements of the cutting tool manufacturer, including the use of safety goggles, ear protection and gloves. Regardless of the cutting tool to be employed, all burrs at the profile ends must be removed with a file or a comparable tool prior to installation.

Product Overview

Schlüter®-RENO-V

AV = aluminium / AEV = anodised aluminium

Length supplied: 1.00, 2.50 m

Material	AV	AEV
H = 8 / B = 20 mm	•	•
H = 10 / B = 20 mm	•	•
H = 12.5 / B = 30 mm	•	•
H = 15 / B = 30 mm	•	•
H = 17.5 / B = 40 mm	•	•
H = 20 / B = 40 mm	•	•

Note: Optionally, various size combinations of support sections and adjustable transition arms are also possible.

Text template for tenders:

Supply

_____ linear metres of Schlüter®-RENO-V as transition profile in

- aluminium = AV
- anodised aluminium = AEV

with a trapezoid-perforated anchoring leg and an adjustable arm, as a stepless transition from tile to any adjacent covering, and install in a professional manner in accordance with the manufacturer's specifications.

- Installation of individual lengths of _____m
- Installation of individual length as required.

Profile height: _____mm

Art.-No.: _____

Material: _____/m

Labour: _____/m

Total: _____/m