

Schlüter®-KERDI-BOARD-W

Vanity unit

Installation element made of KERDI-BOARD

12.3

Product data sheet

Application and function

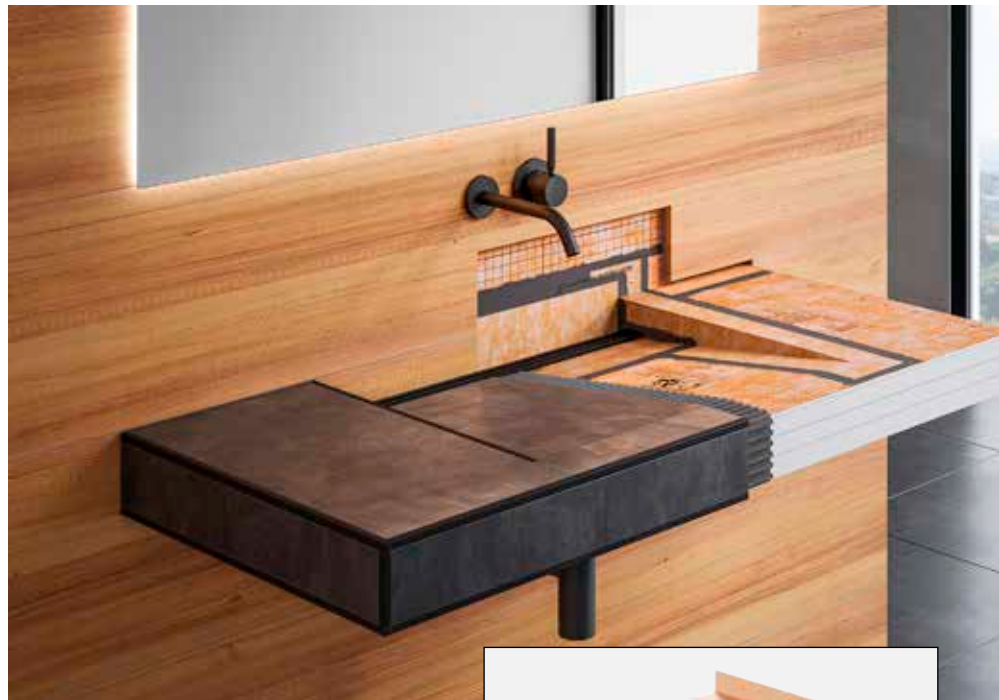
Schlüter-KERDI-BOARD-W is a pre-fabricated washbasin/vanity unit for use with a wall mounted tap. Made from the multifunctional tile underlayment Schlüter-KERDI-BOARD, the washbasin/vanity unit can be directly covered with tiles using the thin bed method.

The unit can easily be adapted to on-site conditions. It can be installed as a floating version with the optionally available wall brackets, or can be supported on legs made of 50 mm thick Schlüter-KERDI-BOARD. (See also the corresponding data sheet 12.1)

The supplied drain adapter has a permanently attached elasticated KERDI waterproofing collar and a 1¼" connection thread for connecting commercially available traps. The prefabricated KERDI-KERS corner pieces can be used to create a reliable waterproofing connection to the adjoining wall.

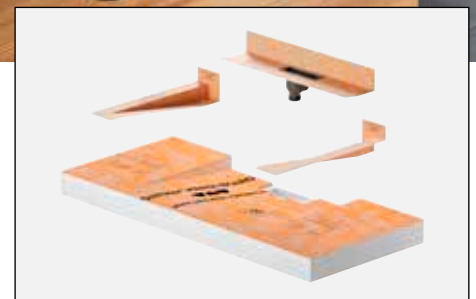
Two designs from the KERDI-LINE-VARIO range of drainage profiles should be fitted over the outlet. These can be individually cut to size, are height adjustable and are shipped with two matching end caps. (See also the corresponding data sheet 8.10)

Our LIPROTEC system offers an extensive range of profiles for custom illumination of the washbasin/vanity unit.

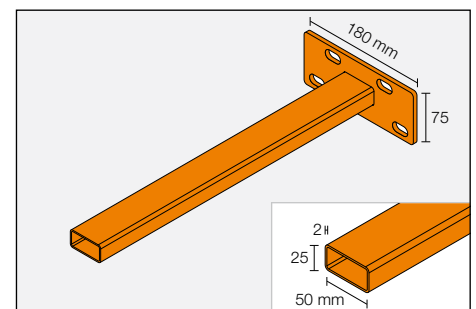


Material

Schlüter-KERDI-BOARD-W is a composite material comprising four layers of extruded rigid XPS foam with a panel thickness of 28 mm, 2x 25 mm and 5 mm. The surface of the 28 mm and 5 mm board is laminated with a special, cement-free reinforcement material and a fleece fabric on both sides for effective anchoring of cementitious tile adhesive. It features a 10 x 10 mm imprinted gridline pattern for easier cutting. The boards are fully bonded.



Schlüter-KERDI-BOARD-W



Schlüter-KERDI-BOARD-AB



Material properties and areas of application:

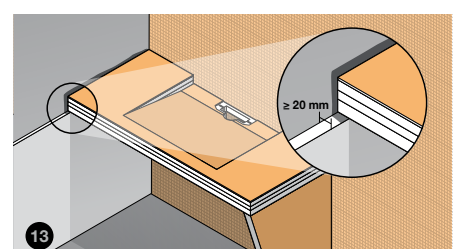
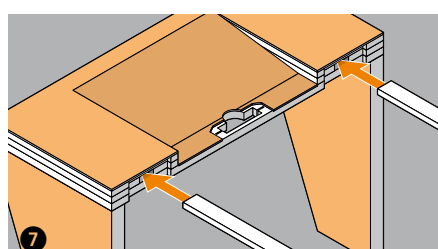
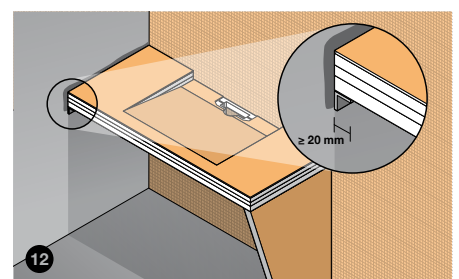
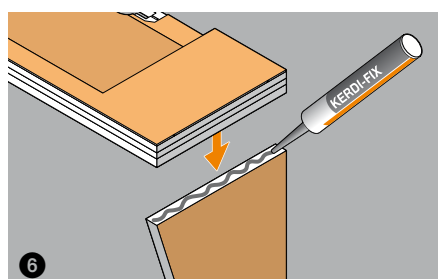
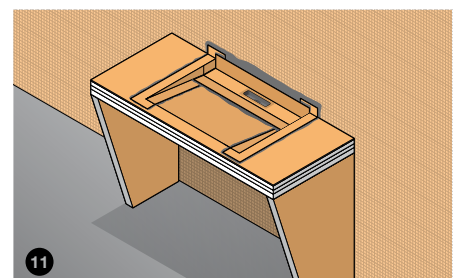
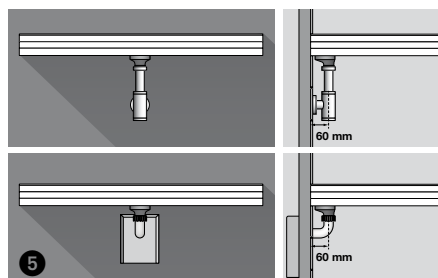
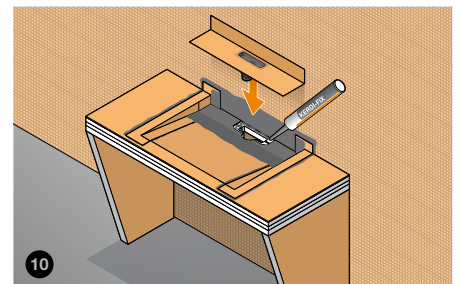
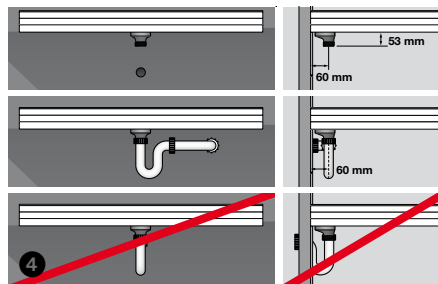
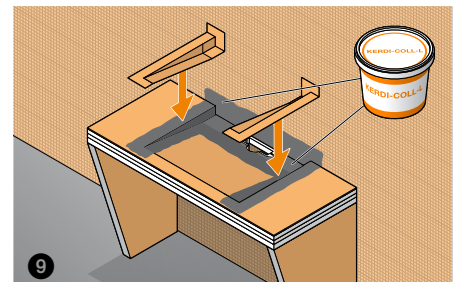
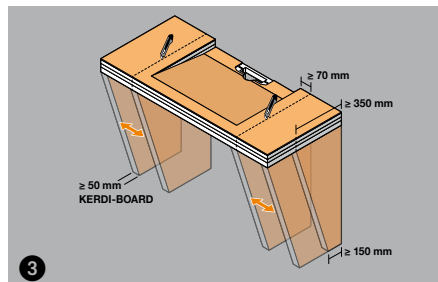
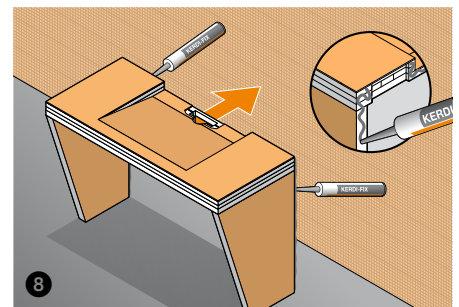
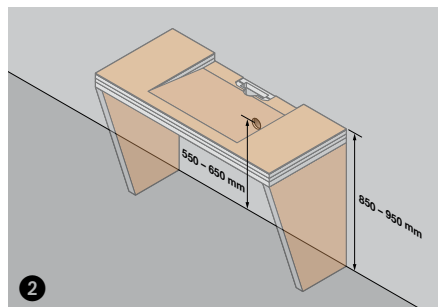
The surface of the KERDI-BOARD washbasin/vanity unit is waterproof and resistant to any chemical stresses that typically occur in conjunction with tiled coverings. Where required, a certified bonded waterproofing assembly can be created with Schlüter-KERDI or KERDI-BOARD.

The KERDI-BOARD washbasin/vanity unit is completely level and will not warp in response to temperature and moisture fluctuations. The material is age-resistant and highly durable. It is ideal for a wide variety of applications. Substrates must be checked for sufficient stability and other project-related requirements.

Areas of application and installation

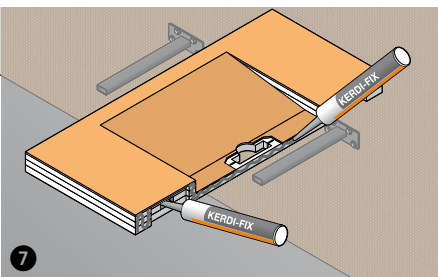
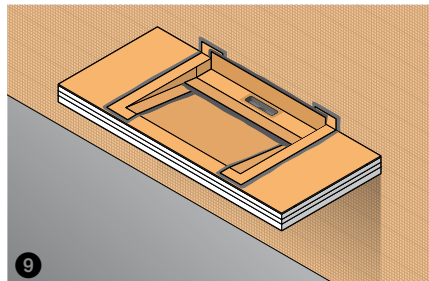
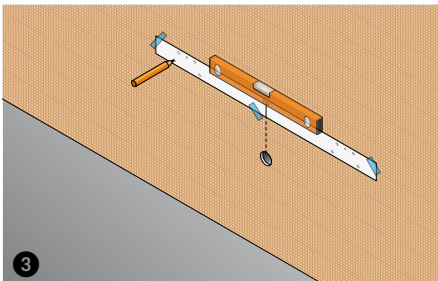
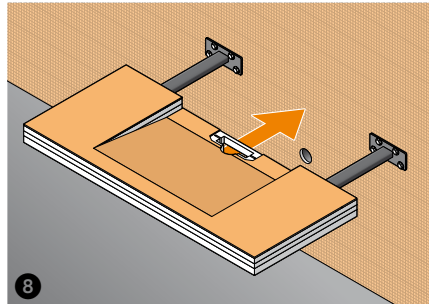
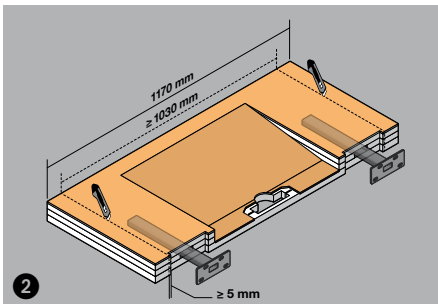
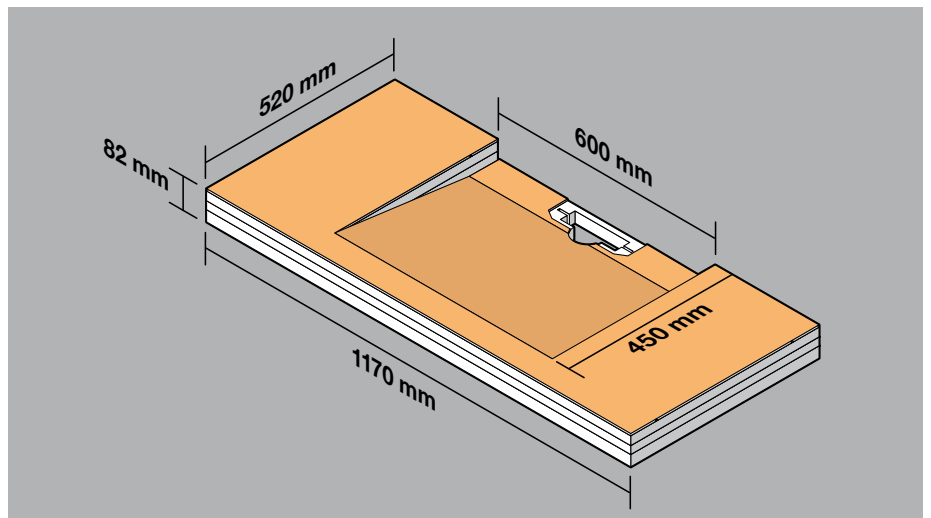
Installation on stands/legs:

1. Determine the installation heights as shown in Fig. 2
2. As shown in Fig. 3, the KERDI-BOARD washbasin/vanity unit can be adapted to on-site requirements. For a stand-alone installation, use two stands made of KERDI-BOARD in a thickness of at least 50 mm, which can be placed on the left and right to support the washbasin/vanity unit.
3. The use of a commercially available trap as shown in Fig. 4 is only possible under certain conditions due to the connection being near to the wall. We recommend using a bottle trap or a concealed trap (Fig. 5).
4. Bond the components with the installation adhesive Schlüter-KERDI-FIX that is supplied with the set (Fig. 6 and 8). Insert the supplied filler pieces into the openings (Fig. 7).
5. Adhere the KERDI-KERS waterproofing collars included in the set for waterproofing, using the sealing adhesive Schlüter-KERDI-COLL-L (not included). (Fig. 9) Additionally, seal the drain adapter with KERDI-FIX in the area of the drain opening (Fig. 10).
6. If using a stand/leg to support one end of the washbasin/vanity unit and an angle profile to support the other end make sure the angle profile is 520mm long x at least 20mm. (Fig. 12 and 13).





Schlüter-KERDI-BOARD-W Dimensions



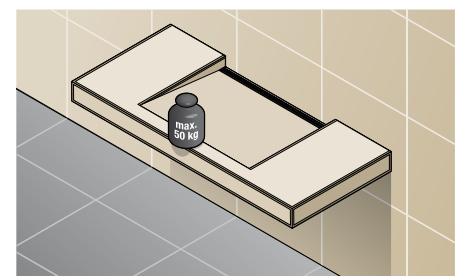
Floating installation of KERDI-BOARD washbasin/vanity unit with optionally available wall brackets.

Caution: The installation wall substrate must be level, even and suitable for sufficient load transfer.

1. As shown in (Fig. 2), the KERDI-BOARD washbasin/vanity unit can be individually adapted to on-site conditions.
2. Mark the drilling holes with the supplied drilling template (Fig. 3).
3. Apply a sufficient amount of KERDI-FIX to the back of the vanity unit (Fig. 7) and slide it onto the wall brackets KBWAB450 (Fig. 8) to create a firm connection with the wall.
4. Adhere the KERDI-KERS waterproofing collars included in the set for waterproofing, using the sealing adhesive KERDI-COLL-L (not included). (Fig. 9) Seal the drain adapter with KERDI-FIX in the area of the drain opening.

Note:

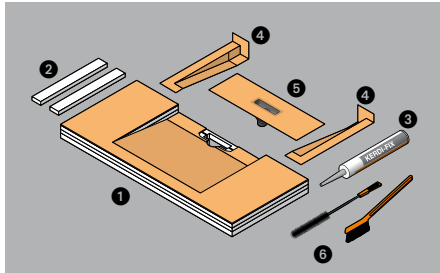
After installation and applying a tile or natural stone covering, the KERDI-BOARD-W washbasin/vanity unit can bear a maximum load of 50 kg across the front edge, whether installed using the wall brackets or supported by legs.





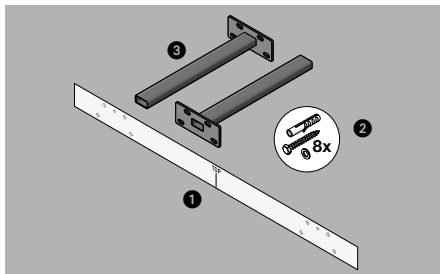
Product overview:

Schlüter®-KERDI-BOARD-W



1. Vanity unit
2. Filler pieces
3. KERDI-FIX
4. KERDI-KERS
5. Drain adapter with 1 1/4" connection thread
6. Cleaning brushes

Schlüter®-KERDI-BOARD-AB



1. Drilling template
2. Attachment material
3. Vanity support

Technical specifications

Vanity unit:

Temperature resistance	-50 to +75 °C
Material density (rigid foam) DIN EN 1602	33 kg/m ³
Water penetration capability	0
Threaded adapter connection	1 1/4"
Load test according to DIN EN 14688	150 kg (centre, tiled)

Notes

Store KERDI-BOARD washbasin/vanity units on a flat surface or in another suitable form. When stored outside, the component must be protected against direct sun exposure and weather.

Text template for tenders:

_____units Schlüter-KERDI-BOARD-W as prefabricated component made of Schlüter-KERDI-BOARD as a tile underlayment for creating an individual vanity unit with storage surface for wall installation, designed for use with a water faucet installed in the wall, having outer dimensions of 117 x 52 cm and a sink size of 60 cm x 45 cm, the set including the installation adhesive KERDI-FIX, KERDI-KERS waterproofing collars and a drain adapter with a permanently attached elasticated KERDI waterproofing collar and a 1 1/4" connection thread, ... to be supplied and professionally installed according to manufacturer's specifications.

Art.-No.: _____
 Material: _____ €/unit
 Labour: _____ €/unit
 Total: _____ €/unit

_____Units Schlüter-KERDI-BOARD-AB as a prefabricated set of wall fixed vanity units incl. attachment material for building floating Schlüter-KERDI-BOARD vanities on highly load bearing substrates, ... to be supplied and professionally installed according to manufacturer's specifications.

Art.-No.: _____
 Material: _____ €/unit
 Labour: _____ €/unit
 Total: _____ €/unit