

Schlüter®-BARIN

Gutter system
for balconies and terraces

10.1

Product data sheet

Application and Function

Schlüter-BARIN is a gutter system for balconies and terraces. All required accessories (e.g. mounting screws, internal and external corners, connectors, end caps, outlets, down pipes and spouts) are available.

The BARIN gutter system is attached to the balcony finishing profiles Schlüter-BARA-RKLT, -RTK, -RTKE, -RTKEG or -RTP intended for this purpose with mounting screws. The elongated openings on the underside of the gutters allow for setting up a slope of up to 30 mm.

Elongated slots at the back of the gutter make it possible to slope the gutter up to 30 mm. All components of the Schlüter-BARIN system are attached to the gutter with the screw on connectors.



Material

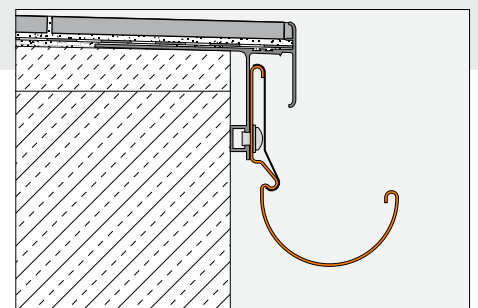
Schlüter-BARIN gutter components, including covers, end caps, internal and external corners and connectors, are made of colour coated aluminium.

Additional prefabricated components of the Schlüter-BARIN gutter system, such as down pipes, pipe clamps, elbows, tee pipes, spouts, adjustable spouts and clip on connectors, are also made of colour coated aluminium.

Material properties and areas of application

The BARIN gutter system is made of colour coated aluminium.

The coating of the aluminium gutter is colour-stable, as well as UV- and weather-resistant. Visible surfaces should be protected against abrasion.



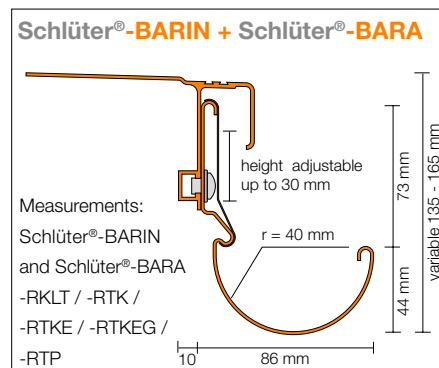


Installation

1. The BARIN gutter elements are individually cut to size and attached to the selected Schlüter-BARA profile with the supplied self-tapping screws. The elongated openings allow for setting up a slope as needed.
2. A waterproof connection between two abutting gutter sections is achieved by centring a connector over the joint.
3. The rubber seal ensures a waterproof connection at the joints.
4. For inside and outside corners, the corner pieces are attached using two connectors, centred over the joint.
5. To connect a down pipe, a gutter section with an outlet of approximately 20 cm is attached with two clip on connectors, which are centred over the gutter joints.
6. The end caps are held against the gutter from below and attached with a connector.
7. The screws and slots are covered by clipping on the cover profile.
8. The last step is to adhere the edge covers.

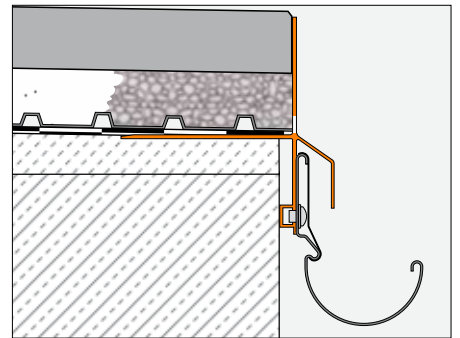
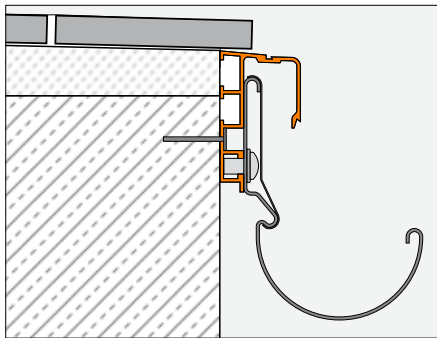
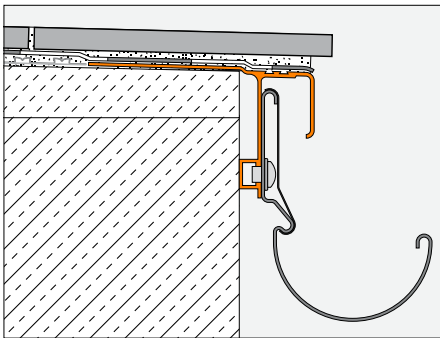
Regular and Preventative Maintenance

The BARIN gutter system requires no special maintenance or care. The coated surface of the aluminium profile is colour-stable. Damage to surface can be restored with paint.





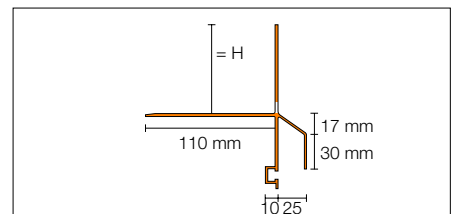
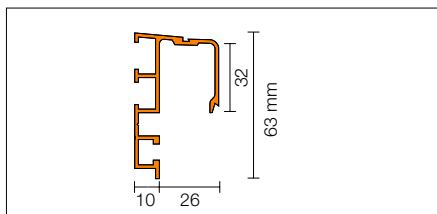
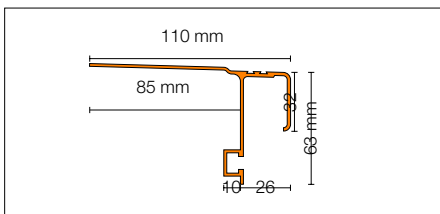
Schlüter®-BARIN can be mounted to the following Schlüter®-BARA edge profiles using the screws provided:



The BARIN as a drainage channel on a balcony structure with sloped screed. The tiles are laid on the Schlüter-DITRA uncoupling and waterproofing mat in a thin bed of adhesive.

Schlüter-BARIN as a drainage channel for a balcony assembly with sloped screed. The tiles are laid in thin-bed mortar on the uncoupling and waterproofing membrane Schlüter-DITRA. Schlüter-BARA-RTP is an edging profile that accommodates the Schlüter-BARIN gutter system. The profile is installed at the exposed edges of existing floor coverings on balconies and terraces.

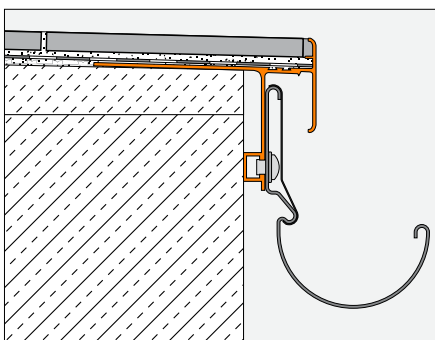
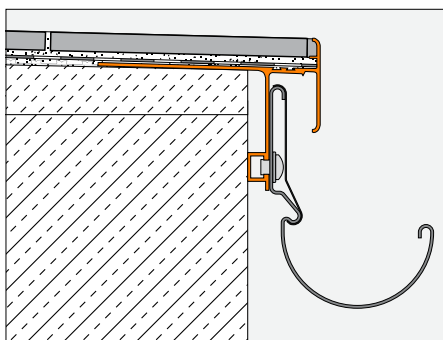
Schlüter-BARIN as a drainage channel in a balcony assembly with large format pavers loosely installed over gravel/crushed stone over an area drainage assembly with Schlüter-TROBA.



Schlüter-BARA-RTK is installed above the finished screed at the edge of the balcony.

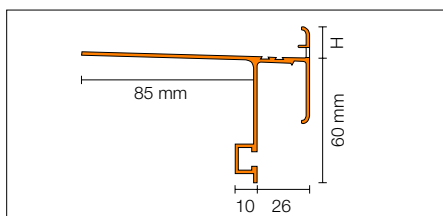
Schlüter-BARA-RTP can be attached to the balcony fascia.

Schlüter-BARA-RKLT wird vor Aufbringen der Bauwerksabdichtung auf dem Gefälleestrich befestigt, oder auf bereits bauseits vorhandenen Dichtbahnen mit geeignetem Kleber fixiert.



Schlüter-BARIN as a drainage gutter in a balcony construction with Schlüter-KERDI for bonded waterproofing and Schlüter-DITRA-DRAIN for bonded drainage and uncoupling.

Schlüter-BARIN as a drainage gutter for a balcony construction with sloped screed. The tiles are laid in thin-bed mortar on the uncoupling and waterproofing membrane Schlüter-DITRA.

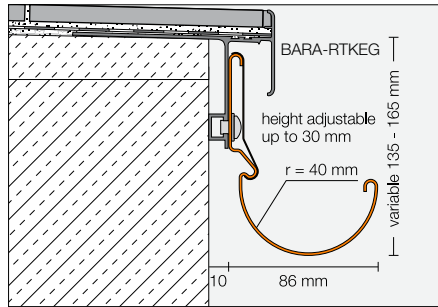


Schlüter-BARA-RTKE is installed over the finished screed at the edge of the balcony.

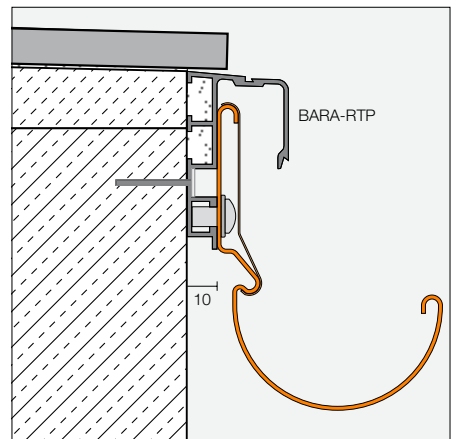
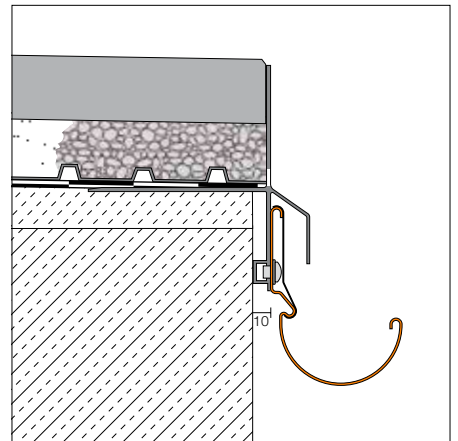


Schlüter®-BARIN-SR

Schlüter-BARIN-SR is a gutter system made of colour coated aluminium for the drainage of balconies and terraces. It can be attached to the matching **Schlüter-BARA** profiles.



Schlüter®-BARIN-SR AC	
Colour coated aluminium	
Article	Art.-No.
a) BARIN gutter set 2.50 m 1 gutter 2.50 m (1) 1 cover profile 2.50 + 0.50 m (8) 1 connector (9), 6 screws	BSR4 R 250...*
b) BARIN gutter set 1.50 m 1 gutter 1.50 m (1) 1 cover profile 1.50 + 0.50 m (8) 1 connector (9), 4 screws	BSR4 R 150...*
BARIN end cap set 2 end caps (2) 2 connectors (9)	BSR4 E 2...*
BARIN 90° corner set 1 corner (3), 2 connectors (9) 1 corner piece for cover profile (10)	BSR4 EWG 90...*
BARIN-Set external corner 90°, outlet to the left 1 corner (11), 2 connectors (9) 1 cover profile corner (10)	BSR4 E 90 L DN60 ...*
BARIN-Set external corner 90°, outlet to the right 1 corner (12), 2 connectors (9) 1 cover profile corner (10)	BSR4 E 90 R DN60 ...*
BARIN 135° corner set 1 corner (4), 2 connectors (9) 1 corner piece for cover profile (10)	BSR4 EWG 135...*
BARIN 90° internal corner set 1 corner (5) 2 connectors (9)	BSR4 IWG 90...*
BARIN 135° internal corner set 1 corner (6) 2 connectors (9)	BSR4 IWG 135...*
BARIN gutter outlet set 1 gutter 20 cm with outlet (7) 2 connectors (9), 2 screws	BSR4 A DN 60...*



Schlüter®-BARIN-SR-E are 90° outside corners with integrated coupling for connection with **Schlüter®-BARIN** system pipes (Ø 60 mm).

* to complete the Art.-No., add the colour (e.g. BSR4 R 250 GM). Colours: BW - GM - HB - PG - RB - SB

Slight colour variations between individual system components may be due to different materials.



Schlüter®-BARIN-R

Schlüter-BARIN-R are matching pipes made of colour coated aluminium, that are available with the corresponding moulded parts.

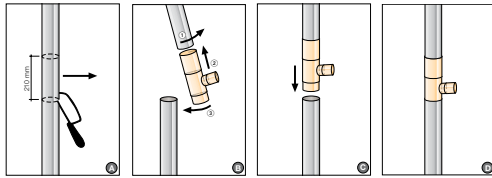


All gutter pipes are equipped with a transition connector. The clip on connector (28) can be used for connecting two **Schlüter-BARIN** system gutters without using a transition sleeve (leftover pieces).

Schlüter®-BARIN-R AC	
Colour coated aluminium	
Article	Art.-No.
Down pipe, 1.00 m (21) <i>(Ø 60 mm)</i>	BR 100 DN 60 ...*
Down pipe, 2.50 m (21) <i>(Ø 60 mm)</i>	BR 250 DN 60 ...*
Pipe clamp set (22) <i>2 pipe clamps Threaded pin 100 mm</i>	BR RS 100 DN 60 ...*
Pipe clamp set (22) <i>2 pipe clamps Threaded pin 200 mm</i>	BR RS 200 DN 60 ...*
Threaded pin 200 mm <i>for pipe clamps</i>	BR SS 200
Elbow pipe 40° Ø 60 mm (23)	BR B40 DN 60 ...*
Elbow pipe 72° Ø 60 mm (24)	BR B72 DN 60 ...*
Elbow pipe 85° Ø 60 mm (25)	BR B85 DN 60 ...*
Tee pipe Ø 60 mm (26)	BR AZ DN 60 ...*
Spout 25 cm Ø 50 mm (27)	BR SP 25 DN 50 ...*
Spout 40 cm Ø 50 mm (27)	BR SP 40 DN 50 ...*
Connecting sleeve (28)	BR AM DN 60 ...*

* to complete the Art.-No., add the colour (e.g. BR 100 DN 60 GM). Colours: BW - GM - PG - SB

Fitting the tee pipe on the existing down pipe.



Schlüter®-BARIN-R Z/K	
Zinc / Copper	
Article	Art.-No.
Downpipe cap, zinc, Ø 60 / 116 mm (30)	BR SK DN 60 / 116 Z
Tee pipe, zinc, Ø 110/60mm (DN 100/60) (31)	BR AZ DN 100 / 60 Z
Tee pipe, copper, Ø 110/60mm (DN 100/60) (31)	BR AZ DN 100 / 60 K

Schlüter-Systems KG | Schmölestraße 7 | D-58640 Iserlohn

+49 2371 971-0 | +49 2371 971-1111 | info@schlueter.de | schlueter-systems.com

Schlüter-Systems Ltd | Units 3-6 Bardon 22 Industrial Estate | Bardon Hill | Coalville | Leicestershire | LE67 1TE

+44 (0) 1530 813396 | sales@schluter.co.uk | schluter.co.uk