

Schlüter®-KERDI-BOARD

Substrate

waterproof substrate and structural board

12.1

Product data sheet

Application and Function

Schlüter-KERDI-BOARD is a multi-functional tile substrate for wall and floor areas, which can also function as a bonded waterproofing assembly together with tile and natural stone coverings. The versatile panel has many application areas.

It consists of an extruded hard foam panel, with a special reinforcement material on both sides and fleece webbing for effective anchoring in the tile adhesive.

Available in thicknesses of 5, 9, 12.5, 19, 28, 38 and 50 mm, KERDI-BOARD covers a broad range of application areas for creating level, waterproof substrates for tile and natural stone coverings.

Schlüter-KERDI-BOARD is waterproof and can withstand all chemical stresses that typically occur in conjunction with ceramic tile coverings. Where required, an approved bonded waterproofing assembly can be created with Schlüter-KERDI-BOARD in specific areas.

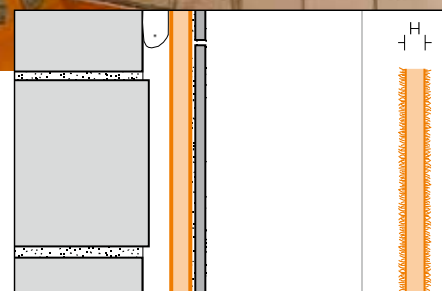
Schlüter-KERDI-BOARD is suitable for: creating tile substrates on green masonry, existing substrates of all kinds and stud frames made of wood or metal; creating straight or curved separating walls; concealing wall mounted installations and piping (pipe boxes); creating straight or curved bathtub and shower surrounds; as well as creating work surfaces, vanities, storage shelves or any other bathroom structures. It is equally suited for installing on the floor as a tile substrate in areas exclusively intended for foot traffic, such as bathrooms or residential spaces.

Schlüter-KERDI-BOARD is simply cut to size with a utility knife. The gridlines printed on the surface are helpful for neat and quick installation.



Schlüter-KERDI-BOARD can be fully adhered in wall areas or alternatively attached with dabs of adhesive. If necessary, the material may be secured with additional wall anchors. In the case of stud frames made of wood or metal, Schlüter-KERDI-BOARD is attached with screws from the matching hardware system.

Tiles can be installed directly over Schlüter-KERDI-BOARD using the thin-bed method, but other suitable trowel applied coverings or plaster layers can be utilised, please contact us for advice.





The **Schlüter-KERDI-BOARD-N /-NLT** sets include pre-fabricated installation components made of KERDI-BOARD with LIPROTEC LED technology for creating illuminated (-NLT) niches and shelves for wall areas; see separate product data sheet 12.2 Schlüter-KERDI-BOARD-N /-NLT.

Schlüter-KERDI-BOARD-E /-U and -V are pre-fabricated panels, e.g. for concealing pipes and creating features. They are available in angled and U-shaped formats and as KERDI-BOARD panels with relief-cuts to create curve-shaped features. Schlüter-Systems also offers profiles and attachment hardware for wall connections and finishing edges, as well as matching wall anchors and screws.

Select a suitable material thickness if using Schlüter-KERDI-BOARD for the construction of non load bearing/free-standing partition walls, shelving or similar structures and use reinforcement profiles as necessary. The use of Schlüter-KERDI-BOARD in floor assemblies is restricted to foot traffic areas, e.g. bathrooms, kitchens, etc. Depending on the system, stepping on such coverings with hard shoes or tapping them with a hard object may produce a hollow sound. Select the material thickness and installation method depending on the evenness of the substrate. Thin panels of Schlüter-KERDI-BOARD (5 mm) should be fully embedded in tile adhesive.

Areas of Application and Installation

Material



Schlüter-KERDI-BOARD is made from an extruded XPS hard foam, with a cement-free reinforcement layer laminated onto both sides, together with an anchoring fleece webbing. The surface of the board has gridlines consisting of 10 x 10 mm squares printed on one side.

Material properties and areas of application

KERDI-BOARD is waterproof and resistant to any chemical stresses that typically occur in conjunction with tile or natural stone coverings. Schlüter-KERDI-BOARD may be used in bonded waterproofing assemblies where required.

Schlüter-KERDI-BOARD is completely level and remains free of distortions and decay. It will not rot and is highly stable, even with one side exposed to temperature fluctuations and moisture.

Schlüter-KERDI-BOARD can be used for a multitude of different applications. In special cases, the suitability of the material must be verified based on the anticipated chemical and mechanical stresses. The information provided below is intended as general guidelines.

Substrates on which Schlüter-KERDI-BOARD is to be installed need to be evaluated for their stability and other project specific requirements. Before directly adhering the panel with tile adhesive, remove all surface components that may weaken the bond. Otherwise, we recommend attaching the panel with additional fixings.

Installation: Fully embedded Schlüter®-KERDI-BOARD

1. The adhesive must bond with the substrate and mechanically set in the anchoring fleece of Schlüter-KERDI-BOARD. Standard dry set adhesives as defined by EN 12004 are suitable for most substrates; otherwise select another suitable adhesive, carefully checking for any incompatibilities of materials.
2. The thin-bed adhesive is applied either over the substrate or onto Schlüter-KERDI-BOARD with a notched trowel.
3. The anchoring fleece of the Schlüter-KERDI-BOARD panels are fully embedded in the adhesive bed. Observe the curing times of all materials.
4. Tightly abut the individual panels and align them appropriately.
5. The tiles can be installed immediately after adhering the Schlüter-KERDI-BOARD panels, using a dry setting adhesive that meets the requirements of the covering. Choose a notched trowel to match the tile format. The curing times of the thin bed adhesive must be observed.

Note: See section "Waterproofing" on the use of Schlüter-KERDI-BOARD in bonded waterproofing assemblies.





Attachment of Schlüter®-KERDI-BOARD with dabs of adhesive

1. Place dabs of adhesive on the Schlüter-KERDI-BOARD panel at intervals of approx. 30 cm and ensure that all board edges are fully supported with adhesive. Depending on the required thickness of the layer, use a suitable bonding adhesive.
2. Set the panels at the wall, firmly press them in place and align them with the use of a spirit level.
3. The tiles can be installed immediately after adhering the Schlüter-KERDI-BOARD panel, using a thin-bed adhesive that meets the requirements of the covering. Choose a notched trowel to match the tile format. The curing times of the thin-bed adhesive must be observed.

Note: If no lasting adhesion can be created between the dabs of adhesive and the substrate, additional mechanical attachment with the corresponding wall anchors or screws is required.

Note: See section "Waterproofing" on the use of Schlüter-KERDI-BOARD in bonded waterproofing assemblies.

Use of Schlüter®-KERDI-BOARD on stud frame structures

1. Schlüter-KERDI-BOARD can be installed and screw-mounted vertically or horizontally on professionally constructed stud frames. If using the system fixings, the panels may be tightly abutted when fixing the screws. The selected screws should be of sufficient length to reach a depth of at least 20 mm in wooden studs and at least 10 mm in metal studs. The distance between the screws should not exceed 25 cm. Depending on the project requirements, the panel thickness for installation on stud frame structures (centre line 62.5 cm) should be at least 19 mm.
2. In the case of vertical installation, abut the individual panels over the centre of the studs and insert additional noggins if required to support the board. In the case of horizontal installation, ideally ensure that all board joints are either supported by a stud or noggin. However seal all vertical joints that are not located over a stud with tile adhesive, Schlüter-KERDI-FIX or the double sided adhesive tape Schlüter-KERDI-BOARD-ZDK, if

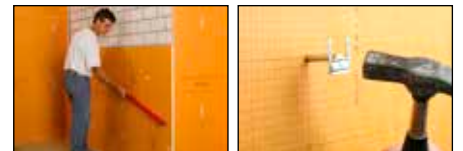
suitable for the installation. Such abutting joints should be offset.

Note: See section "Waterproofing" on the use of Schlüter-KERDI-BOARD in bonded waterproofing assemblies.

Use of Schlüter®-KERDI-BOARD in partition wall systems

1. Schlüter-KERDI-BOARD is adhered to the permanent wall with the abutting edge to make sure that the tile covering to be installed on the permanent wall includes the Schlüter-KERDI-BOARD partition wall. If possible, the partition wall should be stabilised between Schlüter-KERDI-BOARD panels adhered to the permanent wall. As an alternative, you can also screw-mount a matching angle or U shaped profile on the permanent wall for the attachment of the partition wall.
2. Open ended partition walls can be further stabilised with the U shaped components of the attachment hardware. If you plan to screw fittings to the U-shaped profile, adhere the matching flat plastic profile Schlüter-KERDI-BOARD-ZFP to the back of the U-shaped profile to improve the fixing of the screws. U shaped profiles may also be used for connections in the wall and ceiling area.
3. All vertical and horizontal joints of Schlüter-KERDI-BOARD panels must be sealed with thin-bed adhesive or Schlüter-KERDI-FIX, if applicable. In the case of partition walls, a matching angle or U shaped profile may be included in one or several abutting joints for improved stability.
4. Depending on the individual construction site requirements, such partition walls are considered lightweight walls without structural analysis. As a rule, use the 50 mm panels for this kind of structure. Panels from a thickness of 19 mm may be used for building shelving. Again, this must be evaluated in accordance with the building specifications.

Note: See section "Waterproofing" on the use of Schlüter-KERDI-BOARD in bonded waterproofing assemblies.



For accessories, see Page 7



Panel coverings made of Schlüter®-KERDI-BOARD

1. The angle and U shaped components of the Schlüter-KERDI-BOARD attachment hardware allow for quick and easy paneling of piping and electrical installations.
2. The components with V-shaped grooves are supplied flat and can easily be cut to the required size. As an alternative, you can also cut a single U-shaped component into two angled elements with shorter legs.
3. The components are folded for installation, with a prepared adhesive strip holding them together in a V-shaped groove.
4. Adhere the edges of Schlüter-KERDI-BOARD U-shaped or angled components to the existing walls, using either thin-bed adhesive or Schlüter-KERDI-FIX. If required, mount the angle profile Schlüter-KERDI-BOARD-ZW on the wall area first to attach the panel.

Note: See section "Waterproofing" on the use of Schlüter-KERDI-BOARD in bonded waterproofing assemblies.



Curved wall areas made of Schlüter®-KERDI-BOARD

1. The grooved version of the Schlüter-KERDI-BOARD panel is designed for creating rounded and curved structures.
2. First, cut the grooved panels to the required size. If a larger expanse of panels is required, several panels can be connected along the edges with double sided adhesive tape.
3. If the grooved surface points toward the inside, it is recommended to fill the grooves with tile adhesive prior to installation.
4. Exterior grooves should be filled with thin-bed adhesive prior to or during the tile installation.

Note: See section "Waterproofing" on the use of Schlüter-KERDI-BOARD in bonded waterproofing assemblies.

Use of Schlüter®-KERDI-BOARD in floor areas

1. Schlüter-KERDI-BOARD is equally suitable for creating level substrates in floor renovation projects, for example in bathroom installations. To install Schlüter-KERDI-BOARD the substrate must be level, ready to bear weight and free of all substances that may weaken the bond. Any levelling

must be completed prior to installing Schlüter-KERDI-BOARD.

2. To accommodate KERDI-BOARD, the substrate must be free of components that may inhibit bonding, sufficiently load bearing and level. Any necessary levelling work must be completed before installing KERDI-BOARD.
3. Apply thin-bed adhesive over the substrate with a notched trowel and fully embed the anchoring fleece of the Schlüter-KERDI-BOARD panels in the adhesive bed. Tightly about the individual panels and align them appropriately. Observe the curing times of all materials.
4. Provided the substrate is sufficiently load-bearing, Schlüter-KERDI-BOARD panels from a thickness of 28 mm can be installed with spots of thin-bed adhesive or other suitable adhesive, followed by height alignment. To ensure proper weight bearing of the covering, place the dabs of adhesive closely together. Apply thin-bed adhesive to the joints at the edges of the panels and ensure they are supported by dabs of adhesive from below.
5. Use an edge strip to eliminate the build-up of tensions in Schlüter-KERDI-BOARD and the tile covering in edge areas.
6. The tiles (minimum size: 5 x 5 cm) can be installed immediately after fully embedding the Schlüter-KERDI-BOARD panels, using a dry setting adhesive that meets the requirements of the covering. If using dabs of adhesive, allow them to cure first for full weight bearing of the substrate. Choose a notched trowel to match the tile format. The curing times of the thin-bed adhesive must be observed.
7. Observe the applicable technical standards for movement joints used in field definition and edge and connection joints.

Note: See section "Waterproofing" on the use of Schlüter-KERDI-BOARD in bonded waterproofing assemblies.

Waterproofing with Schlüter®-KERDI-BOARD

Schlüter-KERDI-BOARD can be used in accordance with the German waterproofing standard DIN 18534. Water exposure





classes: W0-I to W3-I*. Furthermore, Schlüter-KERDI-BOARD features the national technical approval (abP) required in Germany.

Moisture load class according to ZDB: 0 to B0 and A and C.

Schlüter-KERDI-BOARD features European Technical Approval (ETA) pursuant to ETAG 022 (watertight covering kits) and bears a CE mark. It must be ensured that only system-approved thin-set adhesives are used in areas that require CE conformity or compliance with the general certificate of national technical approval. Please contact the address specified in this data sheet for further information on suitable thin-set adhesives and the corresponding test certificates.

** With abP and/or in compliance with ETA according to ETAG 022. Please contact our Application Technology department for further information regarding use and installation.*

If constructing designs of load category B, "Containers" (e.g. swimming pools), we recommend the use of our waterproofing membrane Schlüter-KERDI (see product data sheet 8.1 Schlüter-KERDI).

For this purpose, the joints and corners of Schlüter-KERDI-BOARD in the area must be fully covered with the sealing band Schlüter-KERDI-KEBA (minimum width 12.5 cm), embedding the sealing adhesive Schlüter-KERDI-COLL-L. The sealing band should have at least 5 cm of overlap.

Schlüter-KERDI-KEBA band is also suitable for creating functional connections to fixed structural elements such as door openings or windows of metal, wood or plastic. For this purpose, apply Schlüter-KERDI-FIX on the adhesive area of the fixed structures and Schlüter-KERDI-COLL-L on the adhesive area of Schlüter-KERDI-BOARD and cover the entire joint area with sealing band.

The suitability of Schlüter-KERDI-FIX for the built-in components must be verified in each individual case. The feasibility of the connections must be evaluated on the basis



of individual construction requirements. Implement all connections with great care. Separate Schlüter-KERDI-BOARD above the existing movement joints and structural joints and cover the abutting joints with Schlüter-KERDI-FLEX. Schlüter-KERDI-FLEX is also recommended for flexible edges.

Plaster and trowel-applied coatings over Schlüter®-KERDI-BOARD

These materials may adjoin tiled coverings (e.g., tiled skirtings) or be applied to entire walls in other areas. Abutting joints within the area, at the internal and external corners, and at exposed edges must be reinforced and covered with a trowel-applied material. The self-adhesive joint reinforcement tape Schlüter-KERDI-BOARD-ZSA should be used for this purpose.



Schlüter®-KERDI-BOARD-ZSA



Product Overview



Schlüter®-KERDI-BOARD

used as a substrate and a universal structural panel, as well as in bonded waterproofing assemblies.

Width = 62.5 cm H = Height/thickness

Length	1.25 m	2.60 m
H = 5 mm	•	•
H = 9 mm	•	•
H = 12.5 mm	•	•
H = 19 mm	•	•
H = 28 mm	•	•
H = 38 mm	•	•
H = 50 mm	•	•

Schlüter®-KERDI-BOARD-N

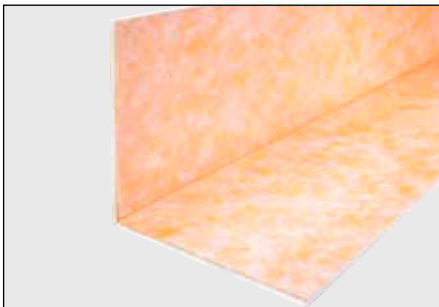
prefabricated niches/shelves made of 12.5 mm Schlüter®-KERDI-BOARD for installation in walls.

Internal opening width = 305 mm

Internal opening depth = 89 mm

Internal height	Shelf
H = 152 mm	
H = 305 mm	
H = 508 mm	•
H = 711 mm	•

See product data sheet 12.2



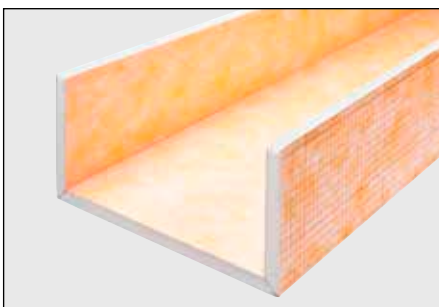
Schlüter®-KERDI-BOARD-E

angled component used to create corner formations and pipe panelling.

Width = 62.5 cm H = Height/thickness

Length	2.60 m
H = 12.5 mm	•
H = 19 mm	•
H = 28 mm	•

Segmentation: 31.25 x 31.25 cm



Schlüter®-KERDI-BOARD-U

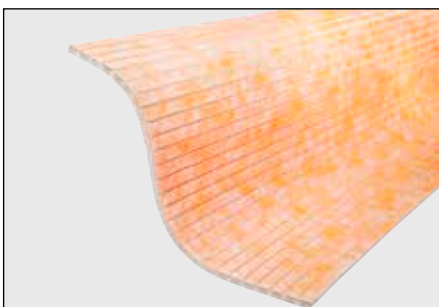
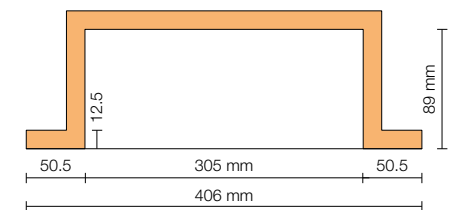
a U shaped component to create pipe panelling.

Width = 62.5 cm H = Height/thickness

Length	2.60 m
H = 19 mm	•

Segmentation: 21.25 x 20 x 21.25 cm,
16.25 x 30 x 16.25 cm

Note: U shaped components may be divided into two angle components.

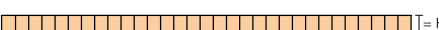


Schlüter®-KERDI-BOARD-V

a vertically grooved substrate and construction panel for creating tile coverings with curved installation substrates.

Width = 62.5 cm H = Height/thickness

Length	2.60 m
H = 9 mm	•
H = 12.5 mm	•
H = 19 mm	•
H = 28 mm	•
H = 38 mm	•
H = 50 mm	•



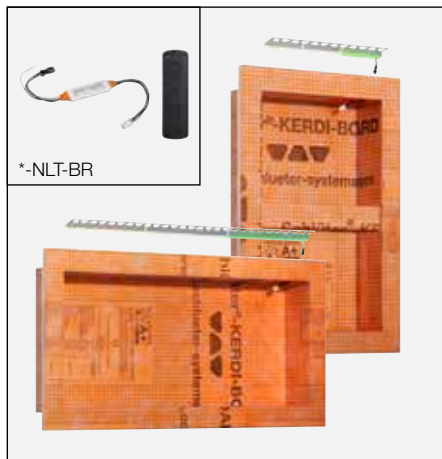


Schlüter®-KERDI-BOARD-NLT

Prefabricated niches with lighting module, colours NW, WW, RGB + W for installation in walls.
 *NLT-BR incl. Bluetooth receiver and remote control
 Internal depth = 89 mm

Internal height B x H	Shelf
305 x 305 mm	
305 x 508 mm	•
305 x 711 mm	•
508 x 305 mm	
711 x 305 mm	

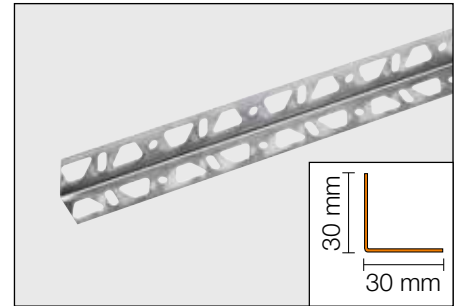
See product data sheet 12.2



Schlüter®-KERDI-BOARD-ZW

Schlüter-KERDI-BOARD-ZW is a 30 x 30 x 0.6 mm stainless steel angled profile with two trapezoid perforated anchoring legs. It is used for fastening and stabilising structures made of Schlüter-KERDI-BOARD panels. It is either attached with screws or thin-bed adhesive.

Length	0.15 m	2.50 m
30 x 30 mm	•	•



Schlüter®-KERDI-BOARD-ZC / -ZA / -ZB

Schlüter-KERDI-BOARD-ZC is a U-shaped profile of brushed stainless steel with one perforated anchoring leg. It is particularly suited for finishing the edges of work surfaces, vanities and similar structures.

Length supplied: 2.50 m

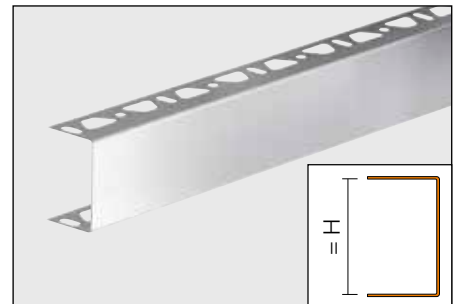
Accessories	Profile	Corner	Connector
H = 19 mm	–	–	•
H = 28 mm	–	–	•
H = 38 mm	•	•	•
H = 50 mm	•	•	•



Schlüter-KERDI-BOARD-ZA is a U-shaped profile of brushed stainless steel with two perforated anchoring legs. It is suited for visible edges of partition walls and shelves.

Length supplied: 2.50 m

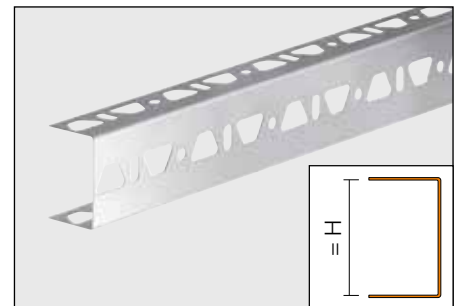
Accessories	Profile	Corner	Connector
H = 19 mm	•	–	•
H = 28 mm	•	–	•
H = 38 mm	•	•	•
H = 50 mm	•	•	•



Schlüter-KERDI-BOARD-ZB is a U-shaped profile of stainless steel with three sided perforation. It is used for fastening and stabilising structures made of Schlüter-KERDI-BOARD panels.

Length supplied: 2.50 m

Accessories	Profile	Corner	Connector
H = 19 mm	•	–	–
H = 28 mm	•	–	–
H = 38 mm	•	–	–
H = 50 mm	•	–	–

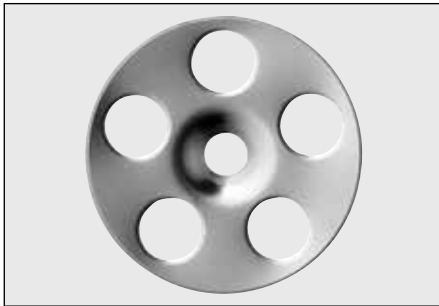


Schlüter®-KERDI-BOARD-ZSD

Schlüter-KERDI-BOARD-ZSD are anchors made of galvanised steel or stainless steel for the additional mechanical attachment of Schlüter-KERDI-BOARD to the substrate.

Material	Galvanised	Stainless steel
L = 90 mm	•	•
L = 110 mm	•	•

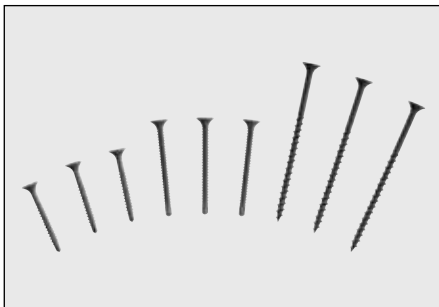




Schlüter®-KERDI-BOARD-ZT

Schlüter-KERDI-BOARD-ZT are fixing washers made of galvanised steel or stainless steel for the attachment of Schlüter-KERDI-BOARD to stud frame structures with the corresponding screws.

Material	Galvanised	Stainless steel
Ø 36 mm	•	•



Schlüter®-KERDI-BOARD-ZS

Schlüter-KERDI-BOARD-ZS are quick installation screws for the attachment of Schlüter-KERDI-BOARD to stud frame structures.

3.5 x 35 mm with self tapping tip (for metal thickness up to 2.25 mm)
3.5 x 55 mm with self tapping tip (for metal thickness up to 2.25 mm)
4.2 x 75 mm with coarse threading (for wooden structures)



Schlüter®-KERDI-BOARD-ZDK

Schlüter-KERDI-BOARD-ZDK is a double sided adhesive tape for the attachment of Schlüter-KERDI-BOARD panels in joint areas or similar.

Length	10 m
B = 12 mm	•
B = 19 mm	•
B = 30 mm	•



Schlüter®-KERDI-BOARD-ZFP

Schlüter-KERDI-BOARD-ZFP is a flat plastic profile, which is adhered behind the U-shaped profile giving strong reinforcement for fixing screws.



Schlüter®-KERDI-BOARD-ZSA

Schlüter-KERDI-BOARD ZSA is a self-adhesive joint reinforcement tape for joints for use with trowel applied covering materials or plaster.

Length	45 m
B = 100 mm	•



System products for bonded waterproofing assemblies

Schlüter®-KERDI-KEBA (Band) [Ⓐ]
Thickness = 0.1 mm

Length	5 m	30 m
Width = 8.5 cm	•	•
Width = 12.5 cm	•	•
Width = 15 cm	•	•
Width = 18.5 cm	•	•
Width = 25 cm	•	•

see product data sheet 8.1

Schlüter®-KERDI-FLEX [Ⓑ]
Thickness = 0.3 mm

Length	5 m	30 m
Width = 12.5 cm	•	•
Width = 25 cm	•	•

Ⓒ Schlüter®-KERDI-KM /-MV/-PAS (Pipe collars/set)
Thickness = 0.1 mm

see product data sheet 8.1

Ⓓ Schlüter®-KERDI-KERECK [Ⓓ]
Thickness = 0.1 mm

Internal Corner	2 St.	10 St.	50 St.
Seam sealed 90°	•	•	•
Seam sealed 135°	•		
External Corner	2 St.	10 St.	50 St.
Seam sealed	•	•	•

Ⓓ Schlüter®-KERDI-KERECK
Thickness = 0.1 mm

Internal Corner	5 St.
Pre cut section	•
External Corner	5 St.
Pre cut section	•

Schlüter®-KERDI-COLL-L [Ⓔ]

Sealant adhesive	4.25 kg
	1.85 kg

see product data sheet 8.4

Schlüter®-KERDI-FIX (Installation adhesive) [Ⓕ]
G = grey, BW = brilliant white

Colour	G	BW
Cartridge 290 ml	•	•

see product data sheet 8.3

Schlüter®-KERDI-DRAIN (Floor drains) [Ⓖ]

see product data sheet 8.2

Schlüter®-KERDI-LINE (Linear floor drains) [Ⓖ]

see product data sheet 8.7

Schlüter®-KERDI-SHOWER (Tray) [Ⓘ]

see product data sheet 8.6 and 8.8

Schlüter®-KERDI-TS (set for waterproofing connection/bathtubs and showers) [Ⓙ]

see product data sheet 8.9



**Technical data:**

Thermal conductivity	DIN EN 12667 (BS EN 12667)	0.035 W/mK
Temperature resistance		-50 to +75°C
Material density (hard foam)	DIN EN 1602 (BS EN 1602)	33 kg/m ³
Water penetration capacity		0
Water vapour diffusion resistance rating*	DIN EN 12086 (BS EN 12086)	
Panel thicknesses 5, 9, 12.5 mm		μ = 1550
Panel thicknesses 19, 28, 38, 50 mm		μ = 440
Linear heat expansion coefficient		0.07 mm/mK
Useable area		
Panel size 125 x 62.5 cm		0.78 m ²
Panel size 260 x 62.5 cm		1.62 m ²

*s_v value = Panel thickness [m] · μ

Notes

Schlüter-KERDI-BOARD should be stored flat or in another suitable manner. In case of outdoor storage, protect the material from direct sunlight or weather influences. If installing bathroom fittings such as vanities, toilets or other heavy objects, the material must be anchored in the weight-bearing substrate. In the case of stud frame substrates or wall mounted installation, the material must be attached to weight-bearing components with abutments in the lower area of the structures, which may need to be reinforced.



Text template for tenders:

_____ m² Schlüter-KERDI-BOARD as a substrate for tiles made of extruded hard foam, with special cement-free reinforcement material and an integrated anchoring fleece laminated on both sides to bond with the tile adhesive, to be supplied and professionally installed; while observing the manufacturer's instructions,

- On wall areas, consisting of _____ with suitable material (adhesive)
 - Fully embedded
 - Adhesive dab attachment
 - With additional mechanical anchoring, using
 - Stainless steel anchors
 - Galvanised anchors.
- On stud frame structures made of
 - Metal
 - Wood
- Screw mounted on wall mounted installation systems including the required connections.

The wall areas are to be completed:

- Without waterproofing function.
- For bonded waterproofing.

The applicable material requirements must be observed.

Material: _____ .../m²
 Labour: _____ .../m²
 Total price: _____ .../m²

Text template for tenders:

_____ linear metres

- Schlüter-KERDI-BOARD-ZA
- Schlüter-KERDI-BOARD-ZB
- Schlüter-KERDI-BOARD-ZC

as a stainless steel U-shaped profile with a trapezoid perforated anchoring leg, with dimensions to match the panel thickness for use as _____,

to be supplied and professionally installed while observing the manufacturer's instructions.

Material: _____ .../m
 Labour: _____ .../m
 Total price: _____ .../m

Text template for tenders:

_____ m² Schlüter-KERDI-BOARD as self supporting partition wall system and tile substrate made of extruded hard foam, with special cement-free reinforcement material and an integrated anchoring fleece laminated on both sides to bond with the tile adhesive, to be supplied and professionally installed; including all required materials and observing all manufacturer instructions, in the following rooms:

_____,
 using panel thicknesses of _____ mm, including the required connections.

The wall areas are to be completed

- Without waterproofing function.
- For bonded waterproofing.

The applicable material requirements must be observed.

Material: _____ .../m²
 Labour: _____ .../m²
 Total price: _____ .../m²

Text template for tenders:

As an accessory to the above item _____ linear metres Schlüter-KERDI-BOARD-ZW as a stainless steel angle profile with dimensions 30 x 30 x 0.6 mm with two trapezoid perforated anchoring legs for use as _____,

to be supplied and professionally installed while observing the manufacturer's instructions.

Material: _____ .../m
 Labour: _____ .../m
 Total price: _____ .../m

Text template for tenders:

_____ m² Schlüter-KERDI-BOARD as a tile substrate in floor areas made of extruded hard foam, with special cement-free reinforcement material and an integrated anchoring fleece laminated on both sides to bond with the tile adhesive, to be supplied and professionally installed, including all required materials and observing all manufacturer instructions, onto a floor substrate consisting of _____ in rooms to be used as _____ (foot traffic only), including the required connections.

The floor areas are to be completed

- Without waterproofing function.
- For bonded waterproofing.

The applicable material requirements must be observed.

Material: _____ .../m²
 Labour: _____ .../m²
 Total price: _____ .../m²

Text template for tenders:

Supply ____ pieces Schlüter-KERDI-BOARD-N as a prefabricated niche (shelf) made of Schlüter-KERDI-BOARD as a tile installation substrate

- H = 152 mm
- H = 305 mm
- H = 508 mm
- H = 711 mm

to be supplied and professionally installed while observing the manufacturer's instructions.

Art.-No.: _____
 Material: _____ .../m
 Labour: _____ .../m
 Total price: _____ .../m

