

# Schlüter®-RONDEC

Wall corners & transitions  
for decorative edge protection

# 2.1

Product data sheet

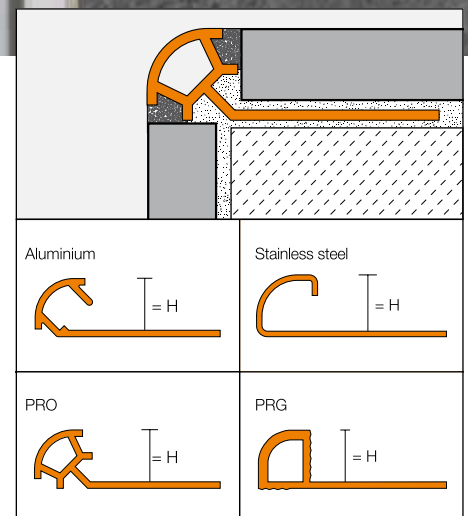
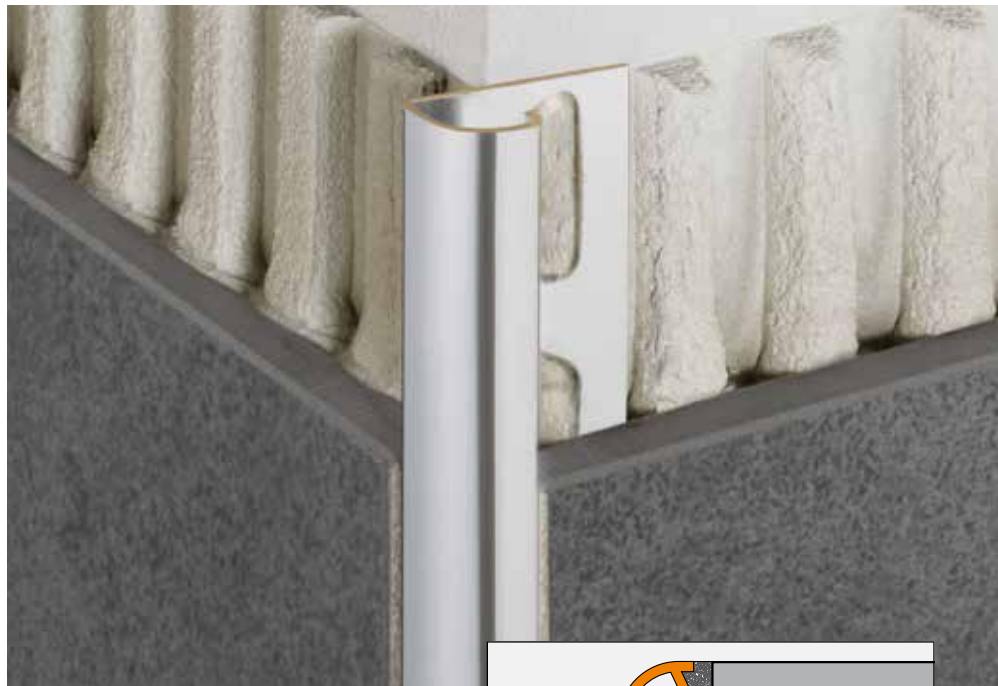
## Application and Function

**Schlüter-RONDEC** is a finishing and edge protection profile for the external corners of tiled surfaces. It forms a symmetrically rounded outer corner along the surface edge. The integrated joint spacer forms a defined joint cavity with the tile. The profiles are available in different materials, colours and surface finishes to coordinate with tile and grout, fixtures and fittings or to create interesting accents in decorative design.

Schlüter-RONDEC-E and -A (anodised) can be used with the matching Schlüter-DESIGNLINE to create decorative borders. In addition to the profile's decorative effect, the tiles are protected against damage caused by mechanical stresses within the edge area. Schlüter-RONDEC in stainless steel is particularly resistant to wear when used as edge protection; it may also be used as stair nosing or as a transition profile.

In addition Schlüter-RONDEC is suitable for transitions, corners or dado coverings with other covering materials e.g. carpet, parquet, natural stone tiles or epoxy resin finishes.

Schlüter-RONDEC also comes with matching internal and external corners for elegant connections.





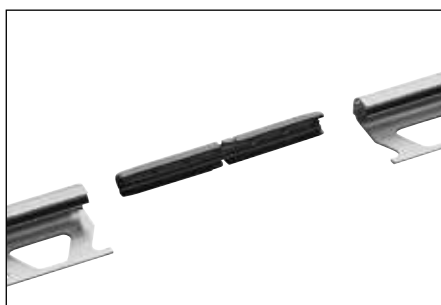
## Material

The profile is available in the following materials:

E	= stainless steel V2A material no. 1.4301 =AISI 304 V4A material no. 1.4404 =AISI 316L
EB	= Brushed stainless steel
EP	= Polished stainless steel
MC	= Chrome plated brass
AE	= Anodised aluminium
AK	= Satin copper/bronze anodised aluminium
AM	= Satin brass anodised aluminium
AT	= Satin titanium anodised aluminium
ACG	= Polished chrome anodised aluminium
AKG	= Polished copper/bronze anodised aluminium
AMG	= Polished brass anodised aluminium
ATG	= Polished titanium anodised aluminium
ACGB	= Brushed chrome anodised aluminium
AGSB	= Brushed graphite black aluminium
AKGB	= Brushed copper/bronze anodised aluminium
AMGB	= Brushed brass anodised aluminium
ATGB	= Brushed titanium anodised aluminium
TS	= Aluminium, textured coating
AC	= Colour coated aluminium
C/A	= MyDesign by Schlüter-Systems*
PRO	= Coloured PVC
PRG	= Coloured PVC (No grout spacer)



Schlüter®-RONDEC-A (ACGB)



Schlüter®-RONDEC-A/V (Connector for aluminium profiles)

## Material properties and areas of application:

Schlüter-RONDEC comes in a range of materials and surface finishes. In applications exposed to chemical or mechanical stresses, the profile's suitability must be verified. The following only provides general information.

Schlüter-RONDEC-MC (chromium plated solid brass) is suitable for wall corners and as a finishing profile. It is ideal for matching chrome fixtures. Surface areas must be protected against abrasion or scratching. Remove mortar and grout residue immediately.

Schlüter-RONDEC-E (stainless steel, 1.4301 (V2A) or 1.4404 (V4A)) is suitable for applications requiring resistance against chemical exposure and high mechanical loadings. Application areas include industrial food production facilities such as breweries, dairies, industrial kitchens, and hospitals as well as residential spaces. Depending on the anticipated stresses, customers can choose between the alloy materials 1.4301 or 1.4404. The use of 1.4404 is recommended if consistent chemical exposure is expected, for example in the case of swimming pools (fresh water).

Even stainless steel of quality 1.4404 is not resistant to all chemical stresses, and may be affected by hydrochloric and hydrofluoric acid or certain chloride and brine concentrations.

In certain cases, this also applies to sea-water pools. Special anticipated stresses should therefore always be verified in advance.

Schlüter-RONDEC-AE / -ACG / -ACGB / -AM / -AMG / -AMGB / -AK / -AKG / -AKGB / -AT / -ATG / -ATGB (anodised aluminium): The aluminium features an anodised surface that does not alter during normal use. Surface areas must be protected against abrasion or scratching. Cementitious materials, in conjunction with moisture, become alkaline. Since aluminium is sensitive to alkaline substances, exposure to the alkali (depending on the concentration and penetration time) may result in corrosion (aluminium hydroxide formation). Therefore, it is important to remove adhesive or grout residue from visible surfaces. Solidly embed the profile solidly in the setting material and that all cavities are filled to prevent the collection of alkaline water.

Schlüter-RONDEC-PRO / -PRG (coloured PVC) are made of pre coloured, rigid PVC which resists bending or scratching. The material is UV resistant, though not permanently colour stable, in exterior applications. The profiles are not suited for corners or transitions subjected to heavy mechanical loadings, e.g. at step edges or floor transitions.

Schlüter-RONDEC-AC (colour coated aluminium): The aluminium is suitably pre-treated and then powder-coated with a polyurethane covering. The coating is colour-stable, as well as UV- and weather-resistant. Visible edges should be protected against abrasion.

The surfaces of Schlüter-RONDEC-TS profiles (TRENDLINE textured aluminium) have a natural appearance (see Schlüter-RONDEC-AC for further properties).



As part of the MyDesign by Schlüter-Systems\* series, Schlüter-RONDEC-AC can be ordered with a customised coating in 190 colours of the RAL Classic chart (see RONDEC-AC for further properties).

\*The product advisors of our sales service and our Customer Service Department will be pleased to assist you with any questions you may have about MyDesign by Schlüter-Systems.

**Note:** Due to different manufacturing processes, slight colour discrepancies between the profiles and the corners may occur.



## Product Overview

### Schlüter®-RONDEC-PRO

PRO = Coloured PVC Length supplied: 2.5 m, 3 m

H = mm	6	8	10	11	12.5
AP	•	•	•		
BH	•	•	•		
BW	•	•	•	•	•
CA	•	•	•		
G	•	•	•		
GS	•	•	•	•	•
HB	•	•	•		
HG	•	•	•		
NB	•	•	•		
PG	•	•	•	•	•
SP	•	•	•	•	•
W	•	•	•	•	•
External corner	•	•	•	•	•
Internal corner	•	•	•	•	•

### Schlüter®-RONDEC-PRG

PRG = Coloured PVC Length supplied: 2.5 m, 3 m

H = mm	6	8	10	12.5
BW	•	•	•	•
PG	•	•	•	•
W	•	•	•	•
External corner	•	•	•	•
Internal corner	•	•	•	•



Schlüter®-RONDEC-PRO

### Schlüter®-RONDEC-AC

AC = Colour coated aluminium Length supplied: 2.5 m

H = mm	6	8	10	11	12.5
BH	•	•	•	•	•
BW	•	•	•	•	•
C/A	•	•	•	•	•
G	•	•	•		•
GM	•	•	•		•
GS	•	•	•		•
HB	•	•	•		•
HG	•	•	•		•
PG	•	•	•	•	•
W	•	•	•	•	•
MBW	•	•	•	•	•
MGS	•	•	•	•	•
External corner	•	•	•	•	•
Internal corner	•	•	•	•	•
Connector	•	•	•		•

### Schlüter®-RONDEC-AC

AC = Colour coated aluminium Length supplied: 3 m

H = mm	6	8	10	11	12.5
BW	•	•	•	•	•
C/A	•	•	•	•	•
PG	•	•	•	•	•
W	•	•	•	•	•
MBW	•	•	•	•	•
MGS	•	•	•	•	•
External corner	•	•	•	•	•
Internal corner	•	•	•	•	•
Connector	•	•	•		•

### Schlüter®-RONDEC-MC

MC = Brass with chrome finish Length supplied: 2.5 m

Material	MC
H = 6 mm	•
H = 8 mm	•
H = 10 mm	•
H = 11 mm	•
H = 12.5 mm	•
External corner	•
Internal corner	•

### Schlüter®-RONDEC-A anodised

AE = Anodised aluminium / ACG = Polished chrome anodised aluminium / ACGB = Brushed chrome anodised aluminium / AM = Satin brass anodised aluminium / AMG = Polished brass anodised aluminium / AMGB = Brushed brass anodised aluminium / AK = Satin copper/bronze anodised aluminium / AKG = Polished copper/bronze anodised aluminium / AKGB = Brushed copper/bronze anodised aluminium / AT = Satin titanium anodised aluminium / ATG = Polished titanium anodised aluminium / ATGB = Brushed titanium anodised aluminium / AGSB = Brushed graphite black aluminium

Length supplied: 2.5 m

Material	AE	ACG	ACGB	AM	AMG	AMGB	AK	AKG	AKGB	AT	ATG	ATGB	AGSB
H = 6 mm	•	•	•	•	•	•	•	•	•	•	•	•	•
H = 8 mm	•	•	•	•	•	•	•	•	•	•	•	•	•
H = 9 mm	•	•	•										
H = 10 mm	•	•	•	•	•	•	•	•	•	•	•	•	•
H = 11 mm	•	•	•										
H = 12.5 mm	•	•	•	•	•	•	•	•	•	•	•	•	•
H = 15 mm	•	•	•										
External corner	•	•	•	•	•	•	•	•	•	•	•	•	•
Internal corner	•	•	•	•	•	•	•	•	•	•	•	•	•
Connector	•	•	•	•	•	•	•	•	•	•	•	•	•

Note: Connectors are available for profile heights 8, 10, and 12.5 mm



**Schlüter®-RONDEC-A anodised**

AE = Anodised aluminium / ACG = Polished chrome anodised aluminium

Length supplied: 3 m

H = mm	6	8	10	11	12.5
AE	•	•	•	•	•
ACG	•	•	•	•	•
External corner	•	•	•	•	•
Internal corner	•	•	•	•	•
Connector	•	•	•	•	•

Colours:

- AP = soft apricot
- BH = bahama
- BW = brilliant white
- CA = caramel
- C/A = MyDesign by Schlüter-Systems\*
- G = grey
- GM = grey metallic
- GS = black
- HB = light beige
- HG = light grey
- NB = nut brown
- PG = pastel grey
- SP = soft peach
- W = white
- MBW = matte brilliant white
- MGS = matte graphite black
- TS = textured natural ivory
- TSC = textured natural creme
- TSBG = textured natural beige grey
- TSB = textured natural beige
- TSSG = textured natural stone grey
- TSG = textured natural grey
- TSOB = textured natural bronze
- TSLA = textured natural light anthracite
- TSDA = textured natural dark anthracite
- TSR = textured natural rustic brown

\* custom coating colour



Schlüter®-RONDEC-TS (TSOB)



Schlüter®-RONDEC external and internal corners

**Schlüter®-RONDEC-TS**

TS = Aluminium, textured coating

Length supplied: 2.5 m, 3 m

H = mm	6	8	10	11	12.5
TSI	•	•	•	•	•
TSC	•	•	•	•	•
TSBG	•	•	•	•	•
TSB	•	•	•	•	•
TSSG	•	•	•	•	•
TSG	•	•	•	•	•
TSOB	•	•	•	•	•
TSLA	•	•	•	•	•
TSDA	•	•	•	•	•
TSR	•	•	•	•	•
External corner	•	•	•	•	•
Internal corner	•	•	•	•	•
Connector	•	•	•	•	•

**Schlüter®-RONDEC-E**

E = Stainless steel / EP = Polished stainless steel / EB = Brushed stainless steel / EV4A = Stainless steel 1.4404 (V4A)

Length supplied: 2.5 m

H = mm	4.5	6	7	8	9	10	11	12.5	15
E	•	•	•	•	•	•	•	•	•
EP		•		•		•		•	•
EB		•	•	•	•	•	•	•	•
EV4A		•		•		•		•	
External corner	•	•	•	•	•	•	•	•	•
Internal corner	•	•	•	•	•	•	•	•	•
Connector		•		•		•		•	
End caps EB*	•	•	•	•	•	•	•	•	•

Note: External corners are available in die-cast metal with a stainless steel appearance, with some items also offered in the solid stainless steel materials V2A or V4A. Internal corners are made of die-cast metal with a stainless steel appearance. \*End caps EB are suitable for use with Schlüter®-RONDEC-E and -EP

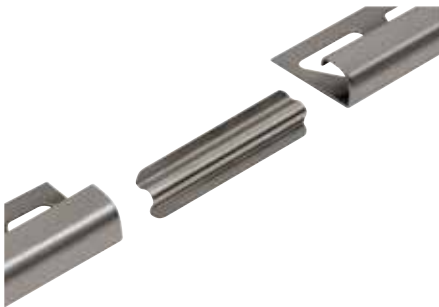
Length supplied: 1 m, 3 m

H = mm	6	8	10	11	12.5
E	•	•	•	•*	•

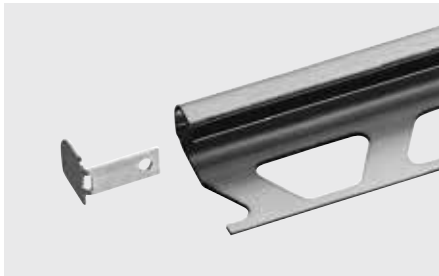
\*also available in 3 m



Schlüter®-RONDEC-E



Schlüter®-RONDEC-EV (Connector for stainless steel profiles)

Schlüter®-RONDEC-EB/EK  
(Brushed stainless steel end cap for Schlüter®-RONDEC-E and -EB)

## Installation

1. Select the profile height of Schlüter-RONDEC according to the tile thickness and the installation method.
2. Trowel tile adhesive over the area that forms the perimeter of the tiled covering. If Schlüter-RONDEC is used at outer wall corners, finish tiling one wall first; then apply tile adhesive to the corner area of the second wall.
3. Press the perforated anchoring leg of the Schlüter-RONDEC into the tile adhesive and align.
4. Trowel additional adhesive over the perforated anchoring leg to ensure full coverage and fill the cavity with tile adhesive.
5. Fully embed the adjoining tiles and adjust them in such a way that the upper lip of the profile is flush with the tile.  
**Note:** The profile may slightly protrude or be recessed in the wall area to offset dimensional variations in the covering material. In floor areas, the profile should not be higher than the tiled surface, but rather up to approx. 1 mm lower.
6. The tile is set to the lateral joint spacer, which ensures a uniform joint of 1.5 mm. In the case of stainless steel and brass profiles a joint of approximately 1.5 mm is recommended.
7. Work on sensitive surfaces with materials and tools that do not cause scratches or damage. Setting materials must be removed immediately, especially on aluminium.
8. Matching corner pieces are available for internal and external corners.

## Maintenance

Schlüter-RONDEC requires no special maintenance or care. Abrasive cleaners should not be used on sensitive surfaces.

Use conventional polishes to remove the oxidation layer on aluminium; however, oxidation will reoccur. Applying lacquer can repair anodised layers.

Stainless steel surfaces exposed to the environment or aggressive substances should be cleaned periodically using a mild household cleaner. Regular cleaning maintains the neat appearance of stainless steel and reduces the risk of corrosion. All cleaning agents must be free of hydrochloric and hydrofluoric acid.

Avoid contact with other metals such as steel, which can cause rust. This also includes tools such as trowels or steel wool, i.e. tools used to remove mortar residue. We recommend the use of the stainless steel cleaning polish Schlüter-CLEAN-CP.

**Text template for tenders:**

## Supply

\_\_\_\_\_ per metre Schlüter-RONDEC as a finishing or corner profile with a trapezoid perforated anchoring leg and symmetrically rounded surface area and install according to instructions. Installation of accessories (external or internal corners)

■ are to be included in unit prices.

■ are to be charged as extra.

Follow the manufacturer's installation instructions.

## Material:

- - E = Stainless steel, 1.4301 (V2A)
- - E V4A = Stainless steel, 1.4404 (V4A)
- - EB = Brushed stainless steel (V2A)
- - EP = Polished stainless steel
- - MC = Chrome plated brass
- - AE = Anodised aluminium
- - AK = Satin copper/bronze anodised aluminium
- - AM = Satin brass anodised aluminium
- - AT = Satin titanium anodised aluminium
- - ACG = Polished chrome anodised aluminium
- - AKG = Polished copper/bronze anodised aluminium
- - AMG = Polished brass anodised aluminium
- - ATG = Polished titanium anodised aluminium
- - ACGB = Brushed chrome anodised aluminium
- - AGSB = Brushed graphite black aluminium
- - AKGB = Brushed copper/bronze anodised aluminium
- - AMGB = Brushed brass anodised aluminium
- - ATGB = Brushed titanium anodised aluminium
- - TS = Aluminium, structured coating
- - AC = Colour coated aluminium
- - C/A = MyDesign by Schlüter-Systems
- - PRO = Coloured PVC
- - PRG = Coloured PVC (No grout spacer)

Profile height: \_\_\_\_\_ mm

Colour: \_\_\_\_\_

Art.-No.: \_\_\_\_\_

Material: \_\_\_\_\_/m

Labour: \_\_\_\_\_/m

Total: \_\_\_\_\_/m