

## Schlüter®-ARCLINE-APE

Wall corners and edge profiles  
for attaching decorative accessories

# 2.19

Product data sheet

### Application and function

**Schlüter-ARCLINE-APE** is a decorative wall finishing profile for horizontal installation with a colour-matched decorative insert. The decorative insert can be removed to reveal a shadow joint, which can accommodate the selected Schlüter-ARCLINE-BAK accessories as needed.

Schlüter-ARCLINE-APE features a visible area with a narrow receiving groove, either for ARCLINE-BAK accessories or for a Schlüter-ARCLINE decorative insert. Schlüter-ARCLINE-APE can be combined with Schlüter-QUADEC profiles for external wall corners.

### Material

Schlüter-ARCLINE-APE is available in the following materials:

AE = anodised aluminium

AC = colour coated aluminium

TS = textured finished aluminium

Decorative insert:

synthetic rubber

### Material properties and areas of application:

**Anodised aluminium:** The aluminium features an anodised finish that retains a uniform appearance during normal use.

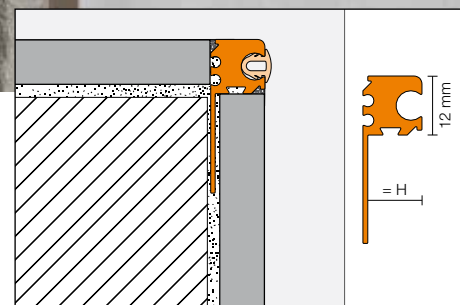
**Surface areas** must be protected against abrasion or scratching. Aluminium is sensitive to alkaline media. Cementitious materials, in conjunction with moisture, become alkaline, which may result in corrosion depending on the concentration and length of exposure (aluminium hydroxide formation). Residue of



adhesive, plaster or render should be removed immediately, especially from aluminium finishes.

**Colour coated aluminium:** The aluminium is pre-treated (chrome-plated) and powder-coated with a polyurethane covering. The coating is colour-stable, as well as UV- and weather-resistant. Visible edges should be protected against abrasion.

**Textured finished aluminium:** These finishes have a natural appearance (see colour coated aluminium for further properties).





## Installation

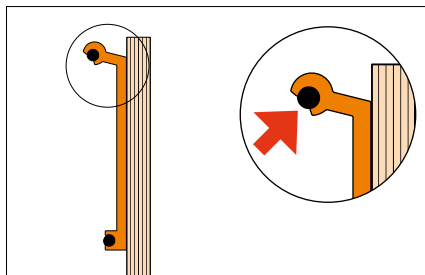
1. Select Schlüter-ARCLINE-APE according to tile thickness. Apply tile adhesive to the area where the profile is to be installed, using a notched trowel. Note: The corresponding profile installation height must be taken into account for the individual accessories; see product data sheet 2.20 Schlüter-ARCLINE-ACCESSORIES. We generally don't recommend installing the profile below a height of 70 cm.
2. Press the perforated anchoring leg of Schlüter-ARCLINE-APE firmly into the adhesive and align it.
3. Trowel additional adhesive over the perforated anchoring leg to ensure full coverage and fill the open profile chambers on the reverse side with tile adhesive.
4. Firmly press the adjoining tiles into place and align them in such a way that the upper profile edge slightly extends over or is flush with the tile (the profile should not be positioned below the top level of the covering; preferably, it should protrude by approx. 1 mm).
5. The tile is set to the lateral joint spacer, which creates an evenly spaced joint of 1.5 mm.
6. The pre-adhered decorative insert prevents the grout from entering the profile during installation. It must be removed immediately after grouting.
7. You can now insert Schlüter-ARCLINE accessories or reapply the decorative insert after rinsing it off in clean water.

### Note

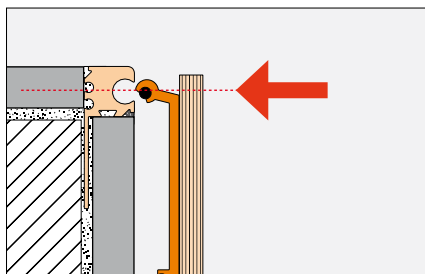
Schlüter-ARCLINE-APE requires no special maintenance or care. Keep the receiving groove clean at all times to guarantee smooth installation of accessories at a later date. Do not use abrasive cleaning agents on the sensitive surfaces. Damage to the anodised surface can be restored with paint.

### Installing ARCLINE accessories

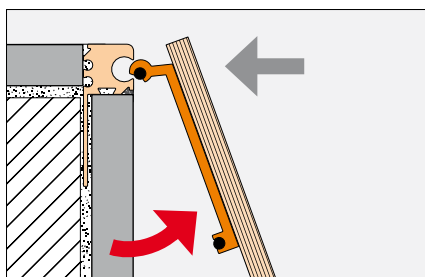
8. Check the proper placement of the rounded end into the latch.
  9. Place the accessory parallel to the wall with the latch in front of the receiving profile.
  10. Slowly tilt the accessory toward the top (up to max. 40°), while pushing lightly at the level of the receiving profile.
  11. The accessory audibly clicks into the receiving profile.
  12. Slowly bring the accessory to its final position by resting it against the wall.
  13. Snap the supplied decorative clip on the clamping profile between the wall and the glass support panel.
  14. Use two decorative clips if there are two clamping profiles.
  15. Optionally attach the supplied spacers (a. silicone spacer, b. suction cup) at the lower end of the accessory or the wall
- Note: To remove the accessory, take off the installed decorative clips with the supplied accessory lever and repeat the above steps in reverse order. In this case, slightly pull at the level of the receiving profile instead of pushing.



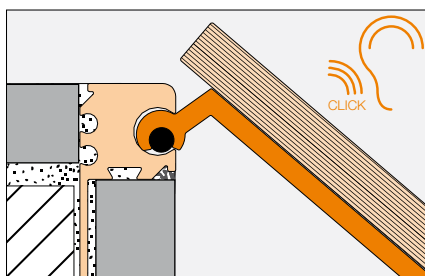
Re 8.



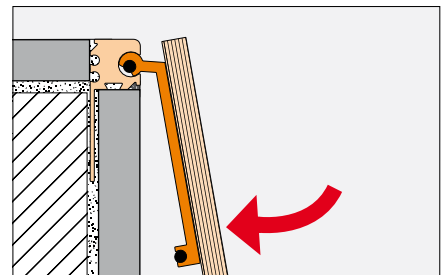
Re 9.



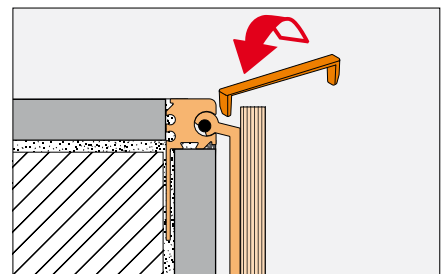
Re 10.



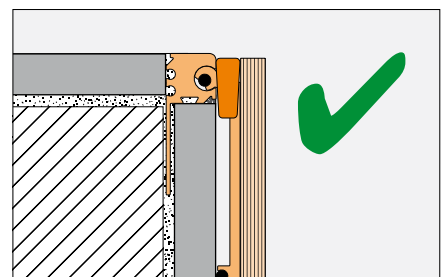
Re 11.



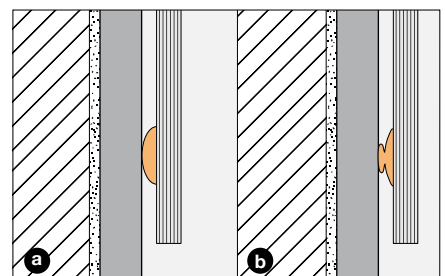
Re 12.



Re 13.



Re 14.

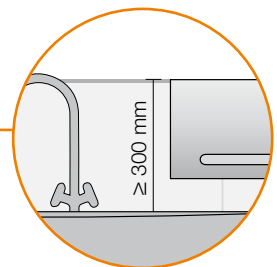
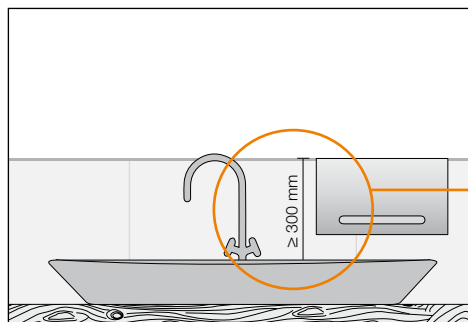
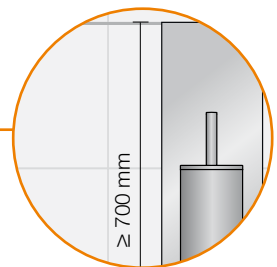
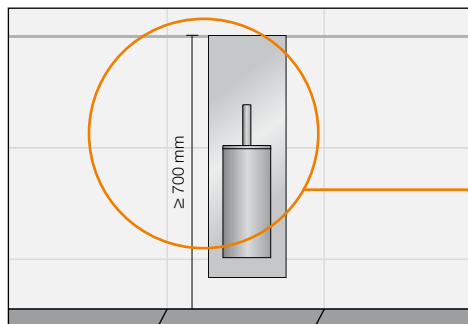
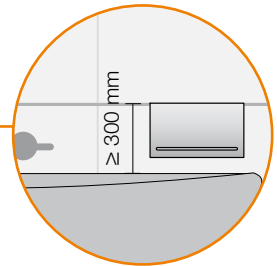
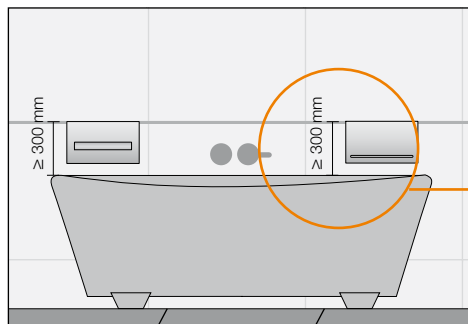
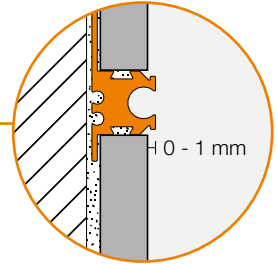
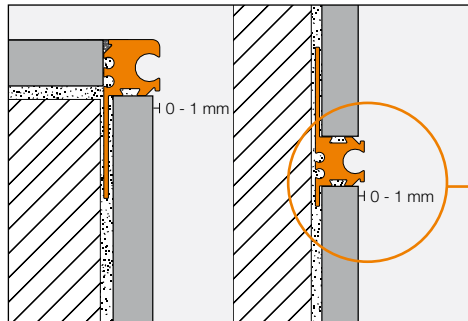


Re 15.



### Minimum spacing for Schlüter®-ARCLINE-BAK bathroom accessories

- i**
- Minimum clearance from structural bathroom components such as bathtub or sink: 30 cm
  - Minimum clearance from floor for toilet brush set Schlüter-ARCLINE-BAK-TB: 70 cm
  - Install profile flush with tiles or protruding up to 1 mm





### Product overview:

#### Schlüter®-ARCLINE-APE

AE = anodised aluminium /AC = colour coated aluminium

TS = textured finished aluminium

Colours:

MBW = matt brilliant white

TSDA = textured, natural dark graphite

TSC = textured, natural cream

Supplied length: 2.50 m

#### Schlüter®-ARCLINE-APE border profile

H = mm	8	11
AE	•	•
MBW	•	•
TSDA	•	•
TSC	•	•
End cap	•	•
Decorative insert	•	•
Connector	•	•



Schlüter®-ARCLINE-APE end cap



Schlüter®-ARCLINE-APE connector

#### Schlüter®-ARCLINE decorative insert

Length supplied: 2.50 m

Colour	GAE	MBW	TSDA	C
	•	•	•	•



#### Text template for tenders:

\_\_\_\_\_ linear metres of Schlüter-ARCLINE-APE as a border profile with trapezoid perforated anchoring leg and attachment option for a decorative insert or matching accessories, to be supplied and professionally installed according to manufacturer's specifications.

Material:

■ -AE = anodised aluminium

■ -AC = colour coated aluminium

■ -TS = textured finished aluminium

Profile height: \_\_\_\_\_ mm

Art. no.: \_\_\_\_\_

Material: \_\_\_\_\_/m

Labour: \_\_\_\_\_/m

Total: \_\_\_\_\_/m