

# Schlüter®-BARA-RKL/-RKLТ

Edge profile  
for large format pavers

# 5.20

Product data sheet

## Application and Function

**Schlüter-BARA-RKL/-RKLТ** are angular finishing profiles with an integrated drip lip for large format pavers, which are either installed loosely over gravel/ crushed stone or on stilted constructions such as Schlüter-TROBA-STELZ. The profiles create a neat edge appearance and protect the exposed edges from shifting gravel or stone.

The vertical finishing leg extends upward, visually covering the exposed surface assembly edge.

Drainage holes, spaced at approximately 7.5 cm, are incorporated in the lower part of the anchoring leg to ensure correct drainage of any collecting seepage water.

The protruding drip lip allows for drainage of the surface water.

Profiles in heights of 35 or 40 mm are specifically designed for use with self-supporting ceramic tiles and natural stone slabs in a thickness of 2 cm.

The lower edge of Schlüter-BARA-RKLТ's horizontal anchoring leg contains a T-shaped profile chamber for the attachment of the Schlüter-BARIN gutter system.

Elongated slots at the back of Schlüter-BARIN allow for slope adjustment during gutter installation.

## Material

The profiles are available in the following material versions:

AC = aluminium, colour-coated

C/A = MyDesign by Schlüter-Systems\*

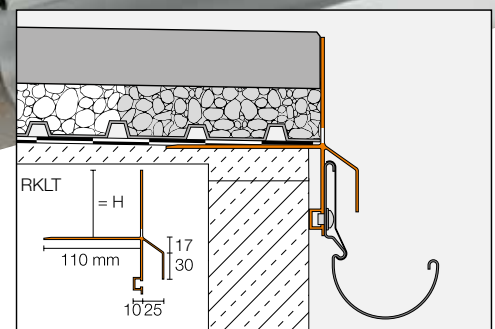
\*Schlüter-BARA-RKL only



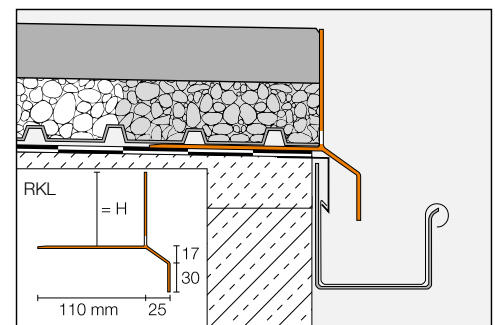
## Material properties and areas of application

The coating of the aluminium profile is colourfast, weather and UV resistant. Visible surfaces should be protected against abrasion.

In special cases, the suitability of the profiles must be verified based on the anticipated chemical and mechanical stresses.



Schlüter-BARA-RKLТ



Schlüter-BARA-RKL



## Installation

### 1. DIN waterproofing:

The profiles must be attached to the substrate prior to installing the waterproofing assembly, for example with a cold bitumen adhesive. The waterproofing membrane can then be adhered up to the drainage openings to prevent water seepage.

Seal the abutting joints of the profiles with the self-adhesive anchoring fleece **Schlüter-BARA-HV** (see Fig 1).

Note: The applicable standard requires a width of 150 mm for integrating materials such as zinc or copper sheets. It is therefore recommended to discuss this issue with the customer before installing Schlüter-BARA-RKL, which has a width of 110 mm.

### 2. Waterproofing with Schlüter-KERDI:

The profiles must be attached to the substrate with a suitable adhesive prior to installing the waterproofing assembly, for example with Schlüter-KERDI-COLL. Seal the abutting joints of the profiles with the self-adhesive anchoring fleece Schlüter-BARA-HV (see Fig 1). Next, Schlüter-BARA-HV is fully embedded on the anchoring legs of the profiles (see Fig. 2). Remove all substances (such as lubricants etc.) that may weaken the bond from the adhesive areas prior to applying the anchoring fleece.

Schlüter-KERDI can then be adhered up to the drainage openings to prevent water seepage. Adhere Schlüter-KERDI to the anchoring leg with the sealing adhesive Schlüter-KERDI-COLL.

### 3. If the waterproofing has already been installed, attach the profile to the waterproofing assembly with a suitable adhesive and adjust the profile to position. Ensure that the waterproofing layer is already connected to a drip lip or gutter system.

4.1 If Schlüter-BARA-RKL/-RKL is used as a gravel edge profile, the gravel layer is spread over the drainage mat Schlüter-TROBA or Schlüter-TROBA-PLUS and should abut the vertical profile leg just below the upper lip. The gravel or crushed stone must be contained to stabilise this edge area. The pavers are then laid loosely on top of the levelled gravel layer.

4.2 In case of coverings supported by stilts such as Schlüter-TROBA-STELZ, the exterior contact points are positioned on the anchoring legs of the profiles. In a next step, the pavers are installed over the casting mold rings.

5. Profile ends should abut with a distance of approx. 5 mm, with the gap covered by clip-on connectors. Pre-formed parts are available for interior and exterior corners.

6. Once the covering is completely installed, the Schlüter-BARIN gutter system can be fastened to the Schlüter-BARA-RKL profile using the screws included. The slotted holes allow for slope adjustment, if required.

Note: It must be assured that the drainage openings of the profiles are not fully closed during the installation.

**Note:** Make sure not to obstruct the drainage openings in the profiles during the installation.

## Notes

Schlüter-BARA-RKL 35 and 40 are particularly suitable for paver elements in a thickness of 2 cm.

Schlüter-BARA-RHA is available as a height-adjustable cover profile made of coated aluminium in the same colour.

It is inserted in the support profile to finish the exposed edges of balconies and terraces. The product enables the individual coverage of assemblies up to 140 mm; see product data sheet 5.16.

When inserting Schlüter-BARA-RHA, make sure not to obstruct any existing drainage openings in the support profile.



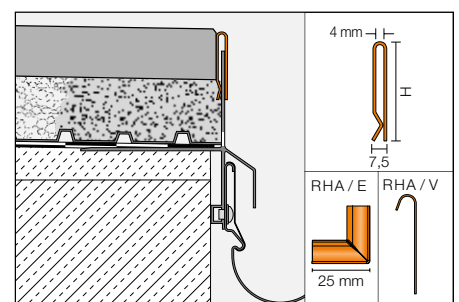
Figure 1: Waterproofing of abutting joints with Schlüter®-BARA-HV



Figure 2: Embedding Schlüter®-BARA-HV



Installation example: Schlüter®-BARA-RKL 35 or 40 with Schlüter®-STELZ-DR and Schlüter®-TROBA-PLUS-8G



Schlüter®-BARA-RHA



As part of the MyDesign by Schlüter-Systems\* series, Schlüter-BARA-RKL can be ordered with a coating in 190 colours of the RAL Classic chart (see BARA-RKL for further properties).

\* The product advisors of our sales service and our Technical Department will be pleased to assist you with any questions you may have about MyDesign by Schlüter-Systems.

## Product Overview

### Schlüter®-BARA-RKL

AG = anthracite grey, BW = brilliant white, GM = grey metallic, PG = pastel grey, SB = black brown, C/A = MyDesign by Schlüter-Systems\* Length supplied 2.5 m

| Colour               | AG | BW | GM | PG | SB | C/A |
|----------------------|----|----|----|----|----|-----|
| H = 30 mm            | •  | •  | •  | •  | •  | •   |
| H = 35 mm            | •  | •  | •  | •  | •  | •   |
| H = 40 mm            | •  | •  | •  | •  | •  | •   |
| H = 50 mm            | •  | •  | •  | •  | •  | •   |
| H = 75 mm            | •  | •  | •  | •  | •  | •   |
| External corner 90°  | •  | •  | •  | •  | •  | •   |
| External corner 135° | •  | •  | •  | •  | •  | •   |
| Internal corner 90°  | •  | •  | •  | •  | •  | •   |
| Connector            | •  | •  | •  | •  | •  | •   |

\* RAL colour coating

### Schlüter®-BARA-RKL T

Colour: PG = pastel grey, GM = metallic grey, SB = dark brown

Length supplied: 2.5 m

| Colour               | PG | GM | SB |
|----------------------|----|----|----|
| H = 30 mm            | •  | •  | •  |
| H = 40 mm            | •  | •  | •  |
| H = 50 mm            | •  | •  | •  |
| H = 75 mm            | •  | •  | •  |
| External corner 90°  | •  | •  | •  |
| External corner 135° | •  | •  | •  |
| Internal corner 90°  | •  | •  | •  |
| Connector            | •  | •  | •  |

### Schlüter®-BARA-HV

Self-adhesive anchoring fleece

|               |   |
|---------------|---|
| Length = m    | 5 |
| Width = 95 mm | • |

**Text template for tenders:**

\_\_\_\_\_ linear metres of Schlüter-BARA-RKL, as a finishing profile of powder coated aluminium with a vertical leg with drainage holes and an angular drip lip, for exposed edge surface coverings of large format pavers on top of gravel/ crushed stone layers or stilted assemblies, to be supplied and professionally installed while observing the manufacturer's instructions.

Matching accessories such as corners and connectors are

- are to be included in the unit prices.
- are to be charged separately.

Profile height: \_\_\_\_\_ mm

Colour: \_\_\_\_\_

Art.-No.: \_\_\_\_\_

Material: \_\_\_\_\_/m

Labour: \_\_\_\_\_/m

Total: \_\_\_\_\_/m

**Text template for tenders:**

\_\_\_\_\_ linear metres of Schlüter-BARA-RKL, as a T-shaped finishing profile of powder coated aluminium with a vertical leg with drainage holes and an angular drip lip as well as an integrated attachment channel for a height adjustable gutter system, for exposed edge surface coverings of large format pavers on top of gravel/crushed stone layers or stilted assemblies, to be supplied and professionally installed while observing the manufacturer's instructions.

Matching accessories such as corners and connectors are

- are to be included in the unit prices.
- are to be charged separately.

Profile height: \_\_\_\_\_ mm

Colour: \_\_\_\_\_

Art.-No.: \_\_\_\_\_

Material: \_\_\_\_\_/m

Labour: \_\_\_\_\_/m

Total: \_\_\_\_\_/m

**Text template for tenders:**

\_\_\_\_\_ linear meters Schlüter-BARA-HV as an adhesive tape of polyethylene with anchoring fleece on the front side and a self-adhesive butyl coating on the underside, to be supplied and professionally installed while observing the manufacturer's instructions.

Art. no.: \_\_\_\_\_

Material: \_\_\_\_\_/m

Labor: \_\_\_\_\_/m

Total price: \_\_\_\_\_/m