

Schlüter®-BARIN

Gutter system
for balconies and terraces

10.1

Product data sheet

Application and Function

Schlüter®-BARIN is a gutter system for balconies and terraces. All required accessories (e.g. mounting screws, internal and external corners, connectors, end caps, outlets, down pipes and spouts) are available.

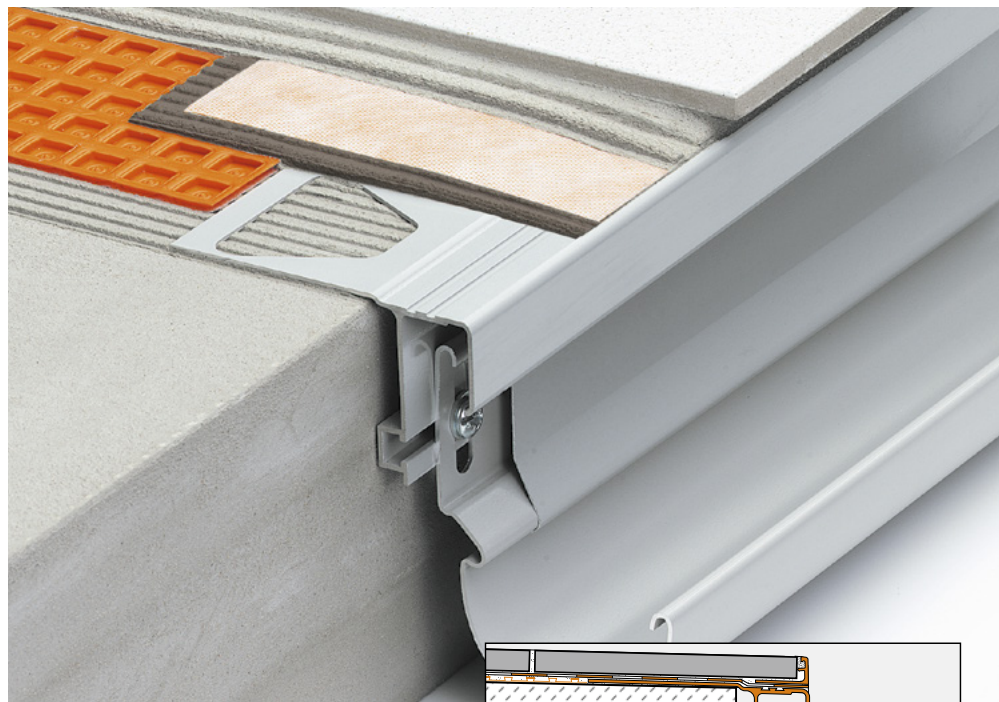
Schlüter®-BARIN is connected with mounting screws to the balcony edging profiles, Schlüter®-BARA-RKLT, Schlüter®-BARA-RTK, Schlüter®-BARA-RTKE, Schlüter®-BARA-RTKEG, or Schlüter®-BARA-RTP.

Elongated slots at the back of the gutter make it possible to slope the gutter up to 30 mm. All components of the Schlüter®-BARIN system are attached to the gutter with the screw on connectors.

Material

Schlüter®-BARIN gutter components, including covers, end caps, internal and external corners and connectors, are made of colour coated aluminium.

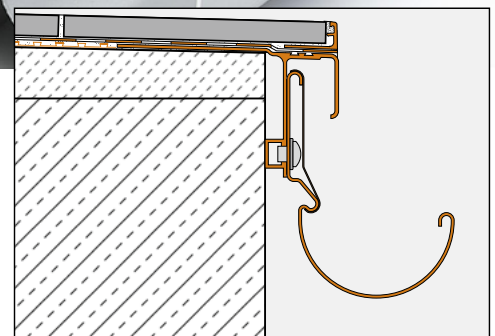
Additional prefabricated components of the Schlüter®-BARIN gutter system, such as down pipes, pipe clamps, elbows, tee pipes, spouts, adjustable spouts and clip on connectors, are also made of colour coated aluminium.



Material properties and areas of application

Schlüter®-BARIN is made of colour coated aluminium.

The colour coating is colour stable, as well as weather and UV resistant. Visible surfaces should be protected against abrasion.





Installation

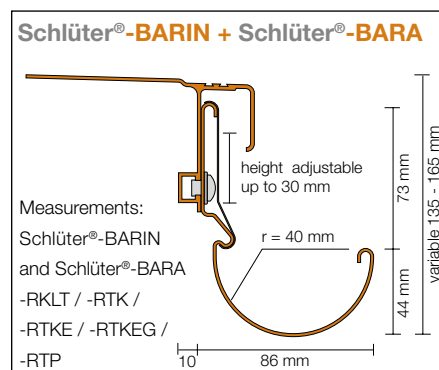
1. Schlüter®-BARIN gutter components are cut to size and connected to the Schlüter®-BARA profile with the screws provided. The slots allow the gutter to be sloped, if required.
2. A waterproof connection between two abutting gutter sections is achieved by centring a connector over the joint.
3. The rubber seal ensures a waterproof connection at the joints.
4. For inside and outside corners, the corner pieces are attached using two connectors, centred over the joint.
5. To connect a down pipe, a gutter section with an outlet of approximately 20 cm is attached with two clip on connectors, which are centred over the gutter joints.
6. The end caps are held against the gutter from below and attached with a connector.
7. The screws and slots are covered by clipping on the cover profile.
8. The last step is to adhere the edge covers.

A gutter system is created in just a few installation steps with no special tools giving

- reliable function
- aesthetic design.

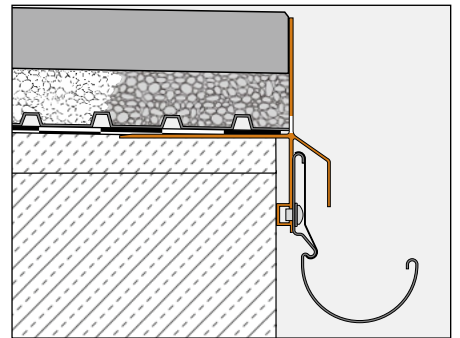
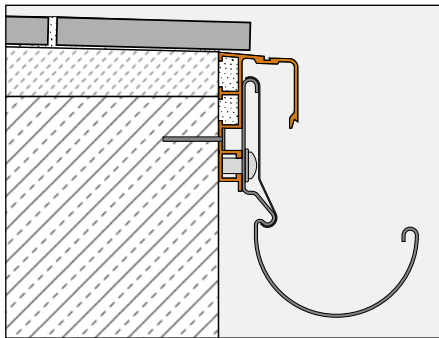
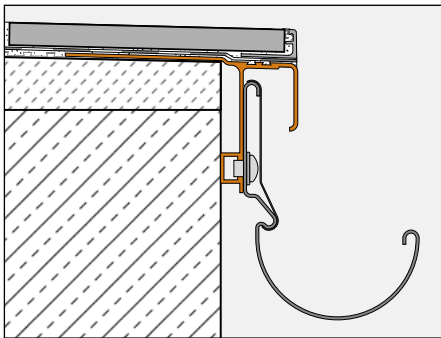
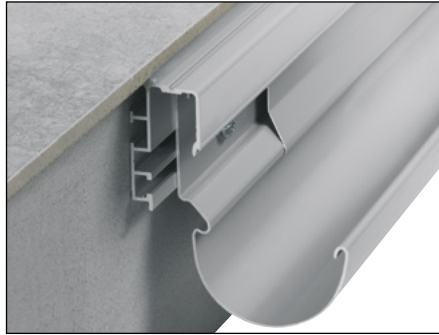
Regular and Preventative Maintenance

Schlüter®-BARIN requires no special maintenance. The colour coated surface of the aluminium profile is colour stable. Damaged surfaces can be repaired with paint.



10.1 Schlüter®-BARIN

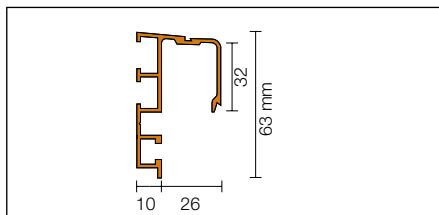
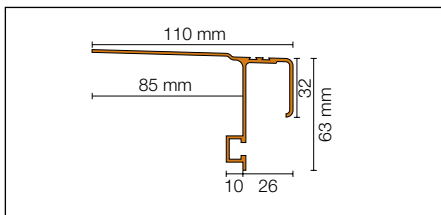
Schlüter®-BARIN can be mounted to the following Schlüter®-BARA edge profiles using the screws provided:



Schlüter®-BARIN as a drainage channel for a balcony assembly with sloped screed. The tiles are laid in thin-bed mortar on the uncoupling and waterproofing membrane Schlüter®-DITRA 25.

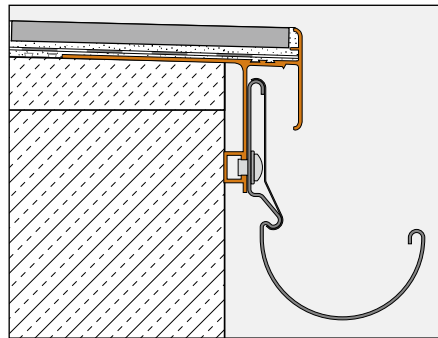
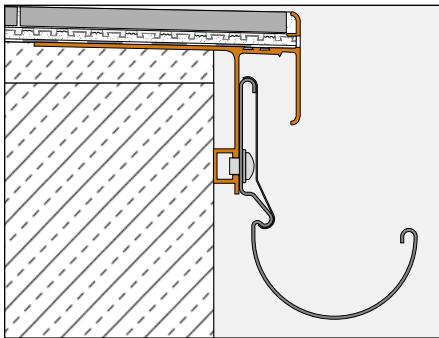
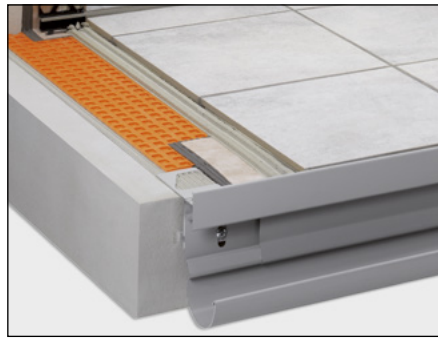
Schlüter®-BARA-RTP is an edging profile that accommodates the Schlüter®-BARIN gutter system. The profile is installed at the exposed edges of existing floor coverings on balconies and terraces.

Schlüter®-BARIN as a drainage channel in a balcony assembly with large format pavers loosely installed over gravel/ crushed stone over an area drainage assembly with Schlüter®-TROBA.



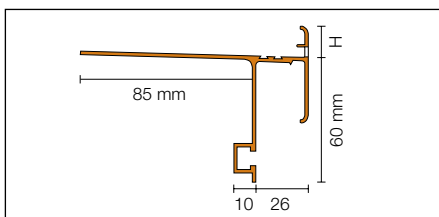
Schlüter®-BARA-RTK is installed above the finished screed at the edge of the balcony.

Schlüter®-BARA-RTP can be attached to the balcony fascia.



Schlüter®-BARIN as a drainage gutter in a balcony construction with Schlüter®-KERDI for bonded waterproofing and Schlüter®-DITRA-DRAIN for bonded drainage and uncoupling.

Schlüter®-BARIN as a drainage gutter for a balcony construction with sloped screed. The tiles are laid in thin-bed mortar on the uncoupling and waterproofing membrane Schlüter®-DITRA 25.

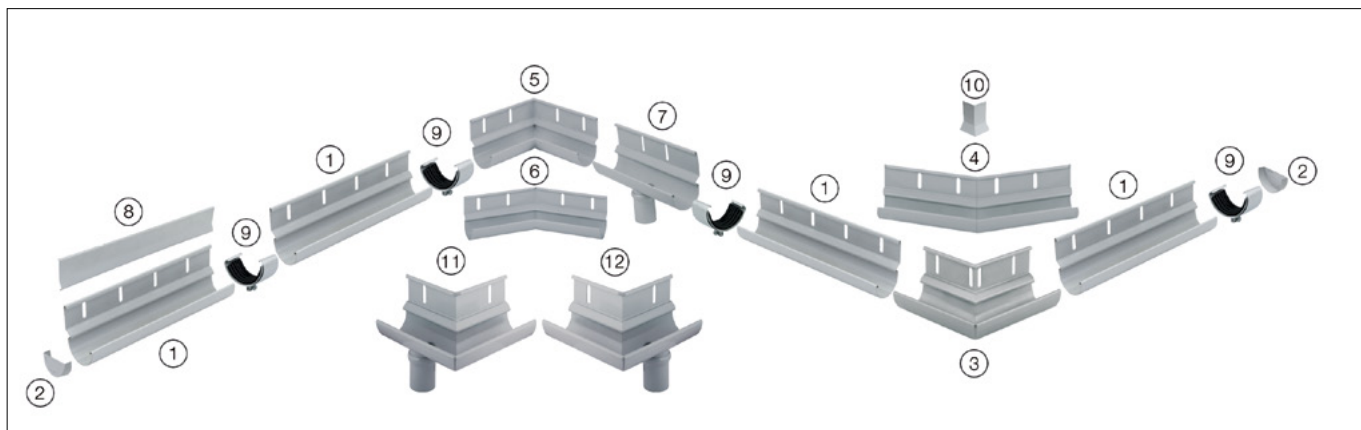
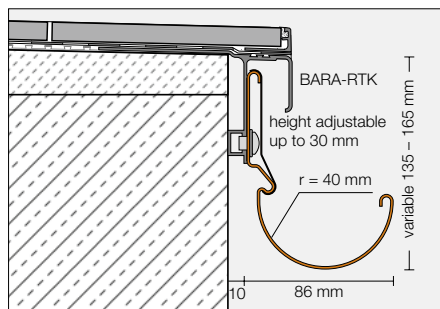


Schlüter®-BARA-RTKE is installed over the finished screed at the edge of the balcony.

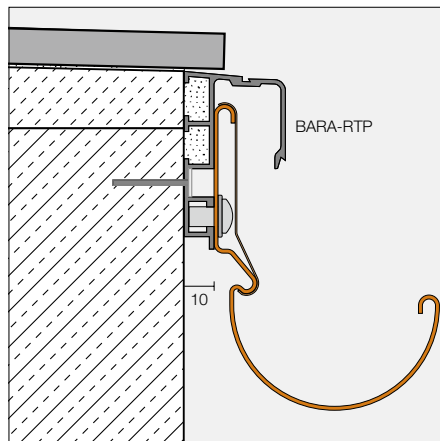
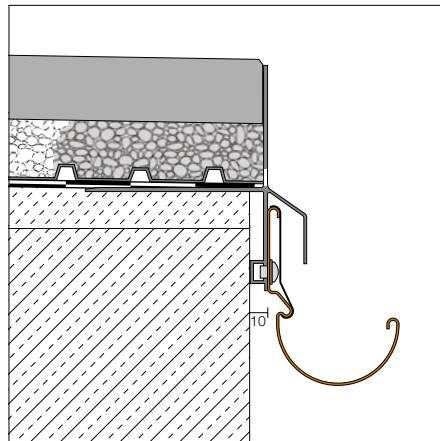


Schlüter®-BARIN-SR

Schlüter®-BARIN-SR is a gutter system made of colour coated aluminium for the drainage of balconies and terraces. It can be attached to the matching **Schlüter®-BARA** profiles.



Schlüter®-BARIN-SR AC	
Colour coated aluminium	
Article	Art.-No.
a) BARIN gutter set 2.50 m 1 gutter 2.50 m (1) 1 cover profile 2.50 + 0.50 m (8) 1 connector (9), 6 screws	BSR4 R 250...*
b) BARIN gutter set 1.50 m 1 gutter 1.50 m (1) 1 cover profile 1.50 + 0.50 m (8) 1 connector (9), 4 screws	BSR4 R 150...*
BARIN end cap set 2 end caps (2) 2 connectors (9)	BSR4 E 2...*
BARIN 90° corner set 1 corner (3), 2 connectors (9) 1 corner piece for cover profile (10)	BSR4 EWG 90...*
BARIN-Set external corner 90°, outlet to the left 1 corner (11), 2 connectors (9) 1 cover profile corner (10)	BSR4 E 90 L DN60 ...*
BARIN-Set external corner 90°, outlet to the right 1 corner (12), 2 connectors (9) 1 cover profile corner (10)	BSR4 E 90 R DN60 ...*
BARIN 135° corner set 1 corner (4), 2 connectors (9) 1 corner piece for cover profile (10)	BSR4 EWG 135...*
BARIN 90° internal corner set 1 corner (5) 2 connectors (9)	BSR4 IWG 90...*
BARIN 135° internal corner set 1 corner (6) 2 connectors (9)	BSR4 IWG 135...*
BARIN gutter outlet set 1 gutter 20 cm with outlet (7) 2 connectors (9), 2 screws	BSR4 A DN 60...*



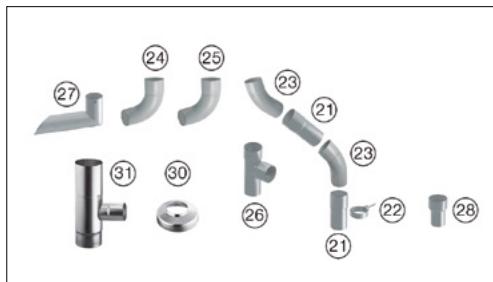
Schlüter®-BARIN-SR-E are 90° outside corners with integrated coupling for connection with **Schlüter®-BARIN** system pipes (Ø 60 mm).

* to complete the Art.-No., add the colour (e.g. BSR4 R 250 GM). Colours: BW - GM - HB - PG - RB - SB
Slight colour variations between individual system components may be due to different materials.



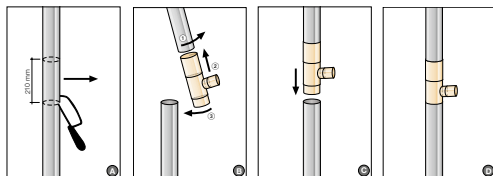
Schlüter®-BARIN-R

Schlüter®-BARIN-R are matching pipes made of colour coated aluminium, that are available with the corresponding moulded parts.



All gutter pipes are equipped with a transition connector. The clip on connector (28) can be used for connecting two Schlüter®-BARIN system gutters without using a transition sleeve (leftover pieces).

Fitting the tee pipe on the existing down pipe.



Schlüter®-BARIN-R AC	
Colour coated aluminium	
Article	Art.-No.
Down pipe, 1.00 m (21) <i>(Ø 60 mm)</i>	BR 100 DN 60 ...*
Down pipe, 2.50 m (21) <i>(Ø 60 mm)</i>	BR 250 DN 60 ...*
Pipe clamp set (22) <i>2 pipe clamps Threaded pin 100 mm</i>	BR RS 100 DN 60 ...*
Pipe clamp set (22) <i>2 pipe clamps Threaded pin 200 mm</i>	BR RS 200 DN 60 ...*
Threaded pin 200 mm <i>for pipe clamps</i>	BR SS 200
Elbow pipe 40° Ø 60 mm (23)	BR B40 DN 60 ...*
Elbow pipe 72° Ø 60 mm (24)	BR B72 DN 60 ...*
Elbow pipe 85° Ø 60 mm (25)	BR B85 DN 60 ...*
Tee pipe Ø 60 mm (26)	BR AZ DN 60 ...*
Spout 25 cm Ø 50 mm (27)	BR SP 25 DN 50 ...*
Spout 40 cm Ø 50 mm (27)	BR SP 40 DN 50 ...*
Connecting sleeve (28)	BR AM DN 60 ...*

* to complete the Art.-No., add the colour (e.g. BR 100 DN 60 GM). Colours: BW - GM - HB - PG - RB - SB

Schlüter®-BARIN-R Z/K	
Zinc / Copper	
Article	Art.-No.
Downpipe cap, zinc, Ø 60 / 116 mm (30)	BR SK DN 60 / 116 Z
Tee pipe, zinc, Ø 110/60mm (DN 100/60) (31)	BR AZ DN 100 / 60 Z
Tee pipe, copper, Ø 110/60mm (DN 100/60) (31)	BR AZ DN 100 / 60 K

Text template for tenders:

Supply _____ linear metres Schlüter®-BARA-R4AC as a gutter system, shaped in a semi circle with a radius of 40 mm and made of colour coated aluminium, for the drainage of surfaces on balconies and terraces and install onto Schlüter®-BARA edging profiles, which cover the exposed edges of balconies and terraces, in a professional manner and according to the manufacturer's specifications.

As well as Schlüter®-BARIN-BR down pipes made of

■ Colour coated aluminium

With accessories

Colour: _____

Art.-No.: _____

Material: _____ £/m

Labour: _____ £/m

Total: _____ £/m

Accessory additions:	Unit Cost	Total
_____ pieces end caps	£ _____	£ _____
_____ pieces corners 90°	£ _____	£ _____
_____ pieces corners 135°	£ _____	£ _____
_____ pieces corners 90°, outlet to the left	£ _____	£ _____
_____ pieces corners 90°, outlet to the right	£ _____	£ _____
_____ pieces internal corners 90°	£ _____	£ _____
_____ pieces internal corners 135°	£ _____	£ _____
_____ pieces down coupling	£ _____	£ _____
_____ m down pipe with pipe clamps	£ _____	£ _____

Accessory additions:	Unit Cost	Total
_____ pieces elbow pipe 40°	£ _____	£ _____
_____ pieces elbow pipe 72°	£ _____	£ _____
_____ pieces elbow pipe 85°	£ _____	£ _____
_____ pieces tee pipe Ø 60 mm	£ _____	£ _____
_____ pieces spout	£ _____	£ _____
_____ pieces connecting sleeve	£ _____	£ _____
_____ pieces downpipe cap zinc	£ _____	£ _____
_____ pieces tee pipe zinc	£ _____	£ _____
_____ pieces tee pipe copper	£ _____	£ _____