

Schlüter®-SHOWERPROFILE-WS / -WSK

Water barrier
for floor level showers

14.2

Product data sheet

Application and function

Schlüter®-SHOWERPROFILE-WS / -WSK are high quality support profiles made of anodised aluminium. Together with the lip inserts Schlüter®-SHOWERPROFILE-WSL or Schlüter®-SHOWERPROFILE-WSC, they provide optimal splash protection in floor-level showers.

The support profile **Schlüter®-SHOWERPROFILE-WSK** can be adhered to existing coverings and is therefore ideally suited for renovation projects. Its visible area has a width of 52 mm. Schlüter®-SHOWERPROFILE-WS, in conjunction with the lip insert Schlüter®-SHOWERPROFILE-WSL made of transparent soft PVC, has a total height of 37 mm and reliably prevents water from flowing out of insufficiently sloped shower areas. The lip insert will self-right when stepped on or moved over with a wheelchair.

The lip insert Schlüter®-SHOWERPROFILE-WSC, made of semi-rigid PVC, creates an inconspicuous transition from the shower area to the adjoining space with a low assembly height of 2 mm and a visible area of 16 mm.

Schlüter®-SHOWERPROFILE-WS is a support profile anchored into the covering with thin bed mortar. It has a 19 mm visible surface and a height of 8 mm. This allows for combining the profile with tiles from a tile thickness of 8 mm. Where thicker tiles are used simply fill the space below the profile with thin bed mortar.



Material

Schlüter®-SHOWERPROFILE-WS/-WSK are available in the following material versions:

Support profile:

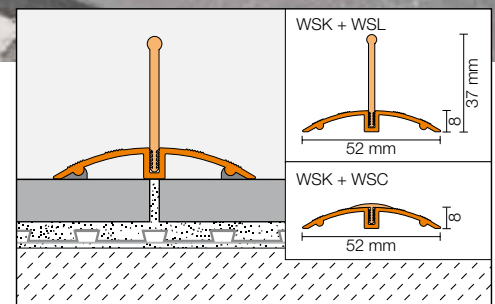
AE = Anodised aluminium

Insert:

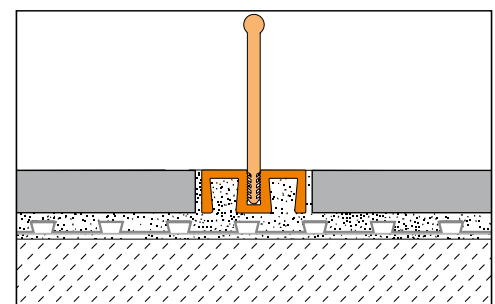
PVC = Polyvinyl chloride

Material properties and areas of application:

In special cases, the suitability of the selected profile type must be verified based on the anticipated chemical, mechanical, and/or other stresses. The information provided below is intended as a general guideline.



Schlüter®-SHOWERPROFILE-WSK



Schlüter®-SHOWERPROFILE-WS



Schlüter®-SHOWERPROFILE-WS/-WSK-AE (anodised aluminium): The aluminium features an anodised finish that retains a uniform appearance during normal use.

Visible surfaces should be protected against abrasion. Aluminium is sensitive to alkaline media. Cementitious materials, in conjunction with moisture, become alkaline. Depending on the concentration and duration of exposure, this may result in corrosion (aluminium hydroxide formation).

For this reason, remove mortar or grouting material immediately from all visible areas and do not cover freshly installed coverings with foil. In addition, ensure that the profile is solidly embedded in the setting material to prevent water from accumulating in small cavities.

The lip insert Schlüter®-SHOWERPROFILE-WSL is made of highly flexible, soft polyvinyl chloride (PVC). Schlüter®-SHOWERPROFILE-WSC is made from semi-rigid polyvinyl chloride (PVC). This material is resistant to UV radiation and typical chemical stresses as well as fungi and bacteria.

Installation

Schlüter®-SHOWERPROFILE-WS

- Schlüter®-SHOWERPROFILE-WS can be used in flush assemblies with any tile thickness from 8 mm.
- Install the tile covering to the position where the splashguard profile Schlüter®-SHOWERPROFILE-WS is to be installed.
- Apply tile mortar to the back of the profile in accordance with the tile thickness and push it in place until the surface is flush with the adjoining tile covering.
- Leave a joint of approximately 1.5 mm and completely fill the space between the tile and the profile with grout.
- Use suitable materials and tools for sensitive surfaces to avoid scratches or other damage. Residue of mortar and tile adhesive should be removed immediately.
- Corner formations must be created with mitre cuts.
- Cut the lip inserts Schlüter®-SHOWERPROFILE-WSL or -WSC to size and push them into the groove of the profile.

Schlüter®-SHOWERPROFILE-WSK

- Clean the covering to which the profile is to be adhered.
- Adhere Schlüter®-SHOWERPROFILE-WSK with the installation adhesive Schlüter®-KERDI-FIX or an equivalent product. Apply a line of adhesive on the underside in the area of the two outer edges and set the profile in place. Remove all substances, lubricants etc. that may weaken the bond from the adhesive areas prior to applying the sealant.
- Remove any excess adhesive that is squeezed out underneath the profile with a suitable detergent.
- Corner junctions must be created with mitre cuts.
- Cut the lip inserts Schlüter®-SHOWERPROFILE-WSL or Schlüter®-SHOWERPROFILE-WSC to size and push them into the groove of the profile.

Note: The profile protrudes about 8 mm over the surface of the covering. Seal the open end areas with the installation adhesive Schlüter®-KERDI-FIX or an equivalent product.

Notes

Schlüter®-SHOWERPROFILE-WS/-WSK require no special maintenance or care. Do not use abrasive cleaning agents on the sensitive surfaces. Damaged anodised surfaces can be restored with paint. Schlüter®-SHOWERPROFILE-WSL and Schlüter®-SHOWERPROFILE-WSC are specially treated to resist the growth of fungi and bacteria and require no special maintenance or care.

Product overview:

Schlüter®-SHOWERPROFILE-WS

AE = Anodised aluminium

Supplied length: 1.00 m, 2.50 m and 3.00 m

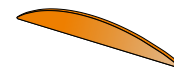
H = mm	AE
8	•

Schlüter®-SHOWERPROFILE-WSK

AE = Anodised aluminium

Supplied length: 1.00 m, 2.50 m and 3.00 m

H = mm	AE
8	•
End cap	•



Schlüter®-SHOWERPROFILE-WSK/EK

Lip inserts

PVC = Polyvinyl chloride

Supplied length: 1.00 m, 2.50 m and 3.00 m

	Lip insert
SHOWERPROFILE-WSL	•
SHOWERPROFILE-WSC	•



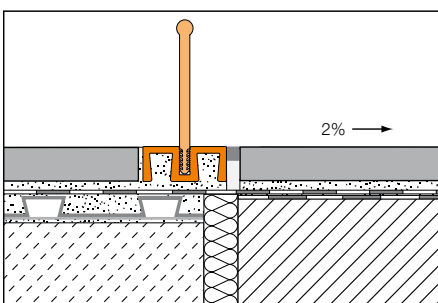
Schlüter®-SHOWERPROFILE-WSK + -WSC



Schlüter®-SHOWERPROFILE-WS + -WSL



Schlüter®-SHOWERPROFILE-WS + -WSC



Transition to Schlüter®-KERDI-SHOWER

Text template for tenders:

_____ linear metres of Schlüter®-SHOWER-PROFILE-WS as a support profile made of anodised aluminium to be anchored into the covering with tile adhesive for providing optimal splash protection in floor-level shower areas in conjunction with the Schlüter lip inserts SHOWER-PROFILE-WSL, made of transparent soft PVC, or SHOWERPROFILE-WSC, made of semi-rigid PVC, depending on requirements, to be supplied and professionally installed.

Lip insert:

- WSL
- WSC

The installation of the lip insert is to be

- included in the unit prices.
- invoiced separately.

The installation instructions of the manufacturer must be observed.

Individual lengths of _____ m

Art. no: _____

Material: _____ / m

Labour: _____ / m

Total: _____ / m

_____ linear metres of Schlüter®-SHOWER-PROFILE-WSK as a support profile made of anodised aluminium to be subsequently installed on existing coverings for providing optimal splash protection in floor-level shower areas in conjunction with the Schlüter lip inserts SHOWER-PROFILE-WSL, made of transparent soft PVC or SHOWERPROFILE-WSC, made of semi-rigid PVC, depending on requirements, to be supplied and professionally installed.

Lip insert:

- WSL
- WSC

The installation of the lip insert and end cap is to be

- included in the unit prices.
- invoiced separately.

The installation instructions of the manufacturer must be observed.

Individual lengths of _____ m

Art. no: _____

Material: _____ / m

Labour: _____ / m

Total: _____ / m

