

Schlüter®-VINPRO-RO

Finishing profile for resilient coverings
on walls

18.5

Product data sheet

Application and function

Schlüter-VINPRO-RO is a high-quality finishing and edge profile made of anodised aluminium for creating elegant external finishing edges on walls with resilient coverings (e.g. LVT coverings). Its contour forms a symmetrically rounded corner and conceals the edges of the adjoining covering. The profile is attached to the wall with matching screws or a suitable installation adhesive (e.g. Schlüter-KERDI-FIX).

Material

Schlüter-VINPRO-RO is available in the following materials:

ACGB = Brushed chrome anodised aluminium

ATGB = Brushed titanium anodised aluminium
(colour may differ from other Schlüter profiles in ATGB finish)

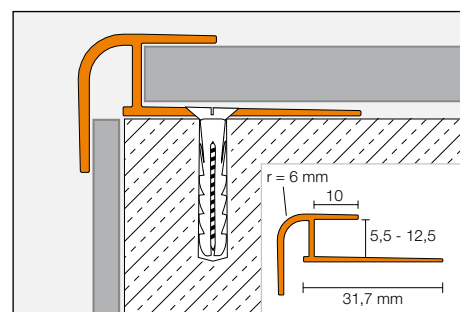
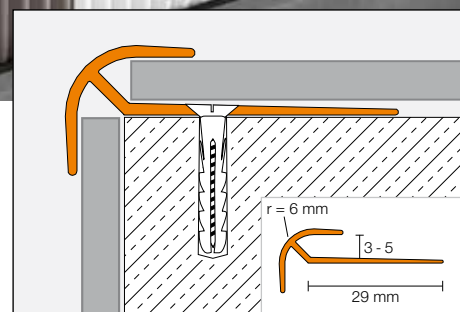
ABGB = Brushed antique bronze anodised aluminium

Material properties and areas of application:

In applications exposed to chemical or mechanical stresses, the profile's suitability must be verified.

The information provided below is intended as a general guideline.

Anodised aluminium: The aluminium features an anodised finish that may be damaged by aggressive substances or abrasive stresses. Damage to the anodised surface can be restored with paint.





Installation

Attachment with screws:

1. Select VINPRO-RO according to the thickness of the covering.
2. Transfer the positions of the drilling holes to the substrate at the edges of the covering and drill holes with a diameter of 5 mm for the screw fixings.
3. Attach the profile to the wall with counter-sunk screws, Ø 3.5 mm.
4. Follow the manufacturer's specifications for installing the covering.

Attachment with construction adhesive:

1. Select VINPRO-RO according to the thickness of the covering.
2. Adhere the profile with the installation adhesive KERDI-FIX or an equivalent material at the edges of the covering. This installation method is especially suitable for areas where the profile cannot be screwed to the substrate.
3. Follow the manufacturer's specifications for installing the covering.

Note: The substrate must be load-bearing and free from debris.

Note

Schlüter-VINPRO-RO requires no special maintenance or care. Do not use abrasive cleaning agents on the sensitive surfaces. Damage to the anodised surface can be restored with paint. All cleaning agents must be free of hydrochloric and hydrofluoric acid.



Product overview:

Schlüter®-VINPRO-RO

ACGB = brushed chrome anodised aluminium / ATGB = brushed titanium anodised aluminium / ABGB = brushed antique bronze anodised aluminium
Supplied length: 2.50 m

H = mm	3	4	5	5.5	6	6.5	7	7.5	8	8.5	9	10	11	12.5
ACGB	•	•	•	•	•	•	•	•	•	•	•	•	•	•
ATGB	•	•	•	•	•	•	•	•	•	•	•	•	•	•
ABGB	•	•	•	•	•	•	•	•	•	•	•	•	•	•

Text template for tenders:

_____ linear metres of Schlüter-VINPRO-RO as a high-quality profile for the quick installation of elegant finishing edges at walls, to be supplied and professionally installed.

The manufacturer's specifications must be observed.

Material:

ACGB = Brushed chrome anodised aluminium
ATGB = Brushed titanium anodised aluminium
ABGB = Brushed antique bronze anodised aluminium

Height of profile channel H = _____ mm

Art.-No.: _____

Material: _____ £/m

Labour: _____ £/m

Total: _____ £/m