

Schlüter®-DECO-SG / -SGC

Wall corners and edge profiles
for decorative wall design

2.16

Product data sheet

Application and function

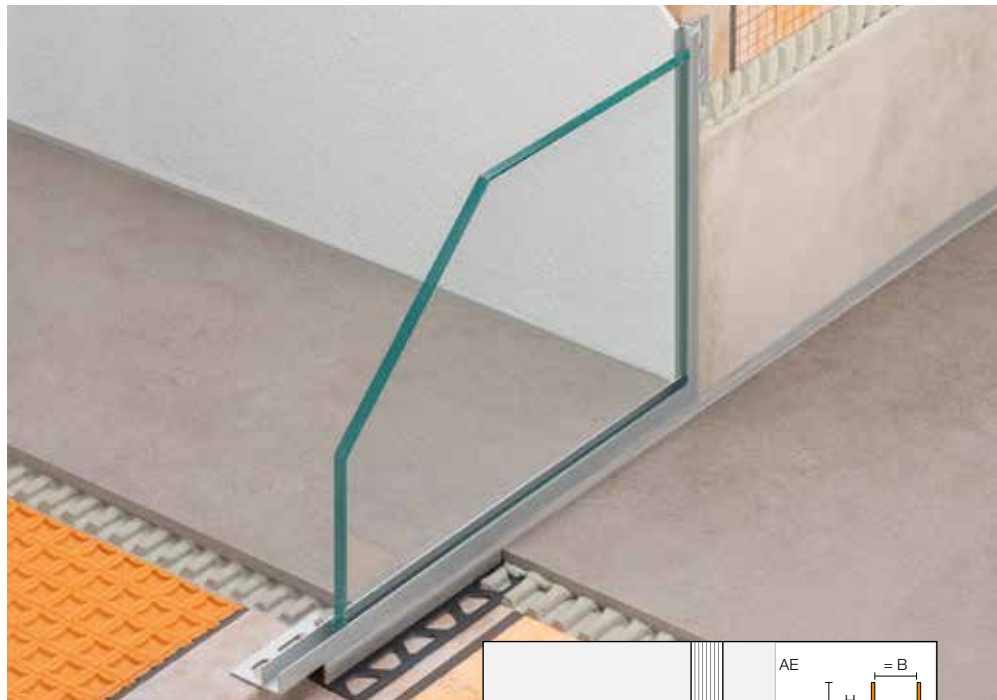
Schlüter-DECO-SG / -SGC are high quality, decorative and functional profiles made of brushed stainless steel (V4A) or anodised aluminium for joint design in tile coverings and for attaching glass components. The profile geometry forms a shadow joint to create visually appealing wall coverings in interior spaces.

Due to its U-shaped geometry, DECO-SG / -SGC is ideally suited for attaching glass elements in floor and wall areas in conjunction with floor-level showers.

DECO-SGC was specifically developed for corner transitions from tiled to plastered wall coverings. The profile is installed in the tiled wall covering of showers, using the anchoring leg situated behind the U-shaped insertion groove.

In floor areas, Schlüter-DECO-SG forms a functional and decorative solution in combination with the tapered profiles Schlüter-SOWERPROFILE.

Note: The illumination set **Schlüter-LIPROTEC-LLPM** is a pre-assembled LED module made from a flexible, encapsulated LED strip with homogeneous light distribution and DECO-SG as a receptacle profile (see product data sheet 15.8 Schlüter-LIPROTEC-LLPM/-LLP/-LLPE).



Material

Schlüter-DECO-SG / -SGC* is available in the following material versions:

AE = anodised aluminium
EB = brushed stainless steel 1.4404 (V4A) Material no. 1.4404 = AISI 316L
C/A = MyDesign by Schlüter-Systems**

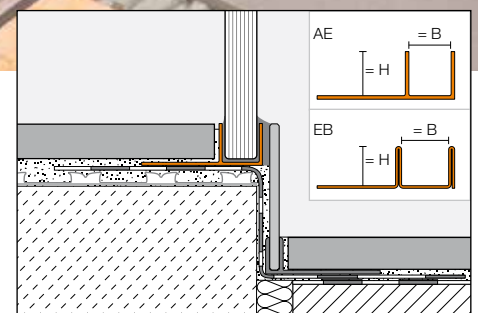
*DECO-SGC is only available in the AE version

**Schlüter-DECO-SG only

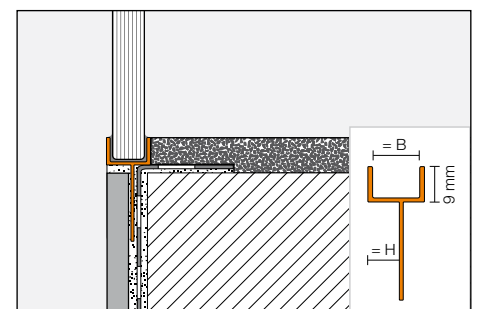
Material properties

and areas of application:

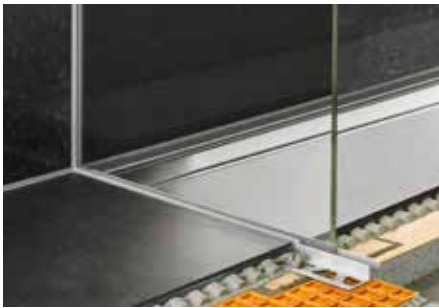
In special cases, the suitability of the material type must be verified based on the anticipated chemical, mechanical, and/or other stresses. The information provided below is intended as a general guideline.



Schlüter-DECO-SG



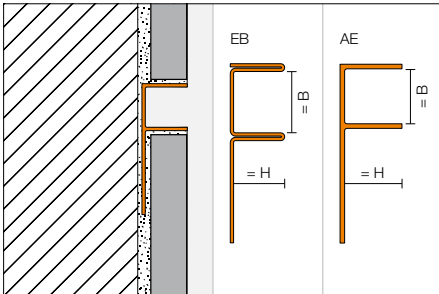
Schlüter-DECO-SGC



Schlüter-DECO-SG: Installation in shower with glass element



Schlüter-DECO-SGC: Installation at external corner



Installation in skirting



Schlüter-DECO-SG: Installation as accent lighting with the LED module LIPROTEC-LLPM

Stainless steel: Stainless steel can withstand high mechanical stress and is highly resistant against chemicals. Even stainless steel of quality 1.4404 is not resistant to all chemical stresses. Substances such as hydrochloric or hydrofluoric acid or certain chloride and brine concentrations may cause damage. The anticipated chemical stresses should therefore be verified in advance.

Anodised aluminium: The aluminium features an anodised finish that retains a uniform appearance during normal use. To protect visible surfaces against abrasion, immediately remove adhesive or grout from visible areas and avoid covering freshly installed assemblies with a protective foil. Aluminium is sensitive to alkaline media. Cementitious materials, in conjunction with moisture, become alkaline. Depending on the concentration and duration of exposure, this may result in corrosion (aluminium hydroxide formation). Therefore, it is important to ensure that the profile is solidly embedded in the setting material and that all cavities are filled to prevent the accumulation of alkaline water.

Colour coated aluminium: The aluminium is suitably pre-treated and then powder-coated with a polyurethane covering. The coating is colour-stable, as well as UV- and weather-resistant. Visible edges should be protected against abrasion.



As part of the MyDesign by Schlüter-Systems* series, Schlüter-DECO-SG can be ordered in the 190 colours of the RAL Classic chart (see colour coated aluminium for further properties).

*The product advisors of our sales service and our Technical Department will be pleased to assist you with any questions you may have about MyDesign by Schlüter-Systems.

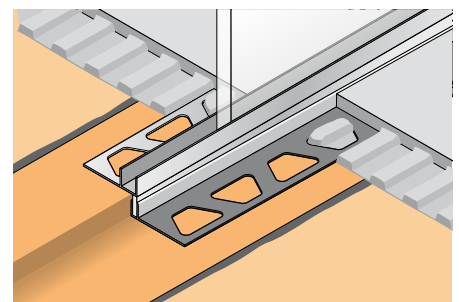
Installation

1. Select Schlüter-DECO-SG / -SGC according to the tile thickness.
2. Apply tile adhesive to the area where the tile covering will end, using a notched trowel.
3. Press the trapezoid-perforated anchoring leg of Schlüter-DECO-SG / -SGC firmly into the adhesive and align it.
4. Trowel additional tile adhesive over the perforated anchoring leg to ensure full coverage.
5. Firmly press the adjoining tiles into place and align them in such a way that they are flush with the upper profile edge. The tiles must be fully embedded in the area of the profile.
6. Leave a joint of approx. 1.5 mm between the tile and the profile. Completely fill the space between the tile and the profile with grout.
7. Use suitable materials and tools for the sensitive surfaces to avoid scratches or other damage. Residue of mortar and tile adhesive should be removed immediately.
8. Glass elements may be inserted into Schlüter-DECO-SG / -SGC after the final installation.

Important: The glass may not be in direct contact with the profile. Suitable spacers should be used. Seal the joints with silicone.

Note:

Pay close attention to the profile arrangement when installing Schlüter-DECO-SGC in combination with Schlüter-DECO-SG and the tapered profiles Schlüter-SHOWERPROFILE. The tapered profiles must be situated underneath Schlüter-DECO-SG and finish flush with it.





Notes

Schlüter-DECO-SG / -SGC requires no special maintenance or care. Do not use abrasive cleaning agents on the sensitive surfaces. Damage to the anodised surfaces can be restored with paint.

Regularly treat stainless steel surfaces with a polish such as Schlüter-CLEAN-CP to retain their shine.

Product overview:

Schlüter®-DECO-SG

AE = anodised aluminium / EB = brushed stainless steel 1.4404 (V4A) Supplied length: 2.50 m

H = mm	8	10	11	12,5
AE 12	•	•	•	•
AE 15	•	•	•	•
EB 12	•	•	•	•
EB 15	•	•	•	•

Schlüter®-DECO-SG

AE = colour coated aluminium Supplied length: 2.50 m

H = mm	8	10	11	12,5
C/A 12*	•	•	•	•
C/A 15*	•	•	•	•

* custom colour coating

Schlüter®-DECO-SGC

AE = anodised aluminium Supplied length: 2.50 m

H = mm	8	10	11	12,5
AE 12	•	•	•	•
AE 15	•	•	•	•

Text template for tenders:

_____ linear metres of Schlüter-DECO-SG, both as a decorative shadow joint profile in tile coverings with trapezoid perforated anchoring leg or as a profile for attaching glass elements in floor and wall areas, to be supplied and professionally installed. The manufacturer's specifications must be observed.

Material:

AE = anodised aluminium

EB = brushed stainless steel 1.4404 (V4A)

C/A = MyDesign by Schlüter-Systems

Profile height: _____ mm

Joint width: _____ mm

Art.-No.: _____

Material: _____/m

Labour: _____/m

Total: _____/m

_____ linear metres of Schlüter-DECO-SGC as a functional profile for attaching glass elements in wall areas, featuring a trapezoid perforated anchoring leg situated behind the insertion groove, to be supplied and professionally installed. The manufacturer's specifications must be observed.

Material:

AE = anodised aluminium

Profile height: _____ mm

Joint width/insertion width: _____ mm

Art.-No.: _____

Material: _____/m

Labour: _____/m

Total: _____/m

