

# Schlüter®-DILEX-AKWS

**Movement joint profile**  
for areas subjected to mechanical stresses

# 4.18

Product data sheet



## Application and Function

**Schlüter®-DILEX-AKWS** is a maintenance-free movement joint profile for tile and natural stone surfaces subject to moderate mechanical stresses.

Schlüter®-DILEX-AKWS offers secure edge protection for surfaces exposed to foot traffic or light vehicular traffic. The lateral anchoring legs, which feature trapezoid-shaped perforations, are connected by a 6 mm wide, soft plastic movement zone. The side sections of the profile provide effective edge protection for the surface covering.

The relatively small width of the movement zone only allows for absorbing minor movements. This must be taken into account depending on project requirements. Schlüter®-DILEX-AKWS profiles interrupt the transmission of sound within the surface covering and reduce the transmission of impact and airborne sound.

## Material

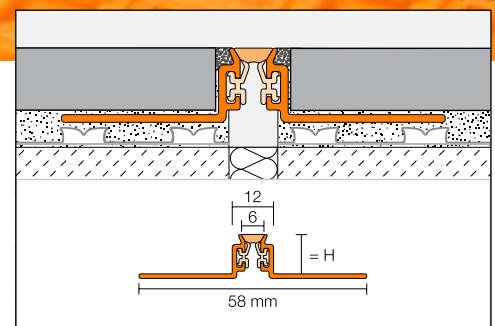
Schlüter®-DILEX-AKWS consists of two aluminium side sections with trapezoid-perforated anchoring legs, and a centre movement zone made of soft plastic with clamps made of hard plastic.



## Material properties and areas of application

The suitability of a proposed type of profile must be verified based on the anticipated chemical, mechanical and/or other stresses.

The side sections with anchoring legs are made of aluminium, which is sensitive to alkaline substances. Cementitious materials, in conjunction with moisture, become alkaline. Exposure of the profile to the alkali (depending on the concentration and duration of exposure) may result in corrosion (aluminium hydroxide formation). In addition, ensure that the profile is solidly embedded in the setting material and that all cavities are filled to prevent the collection of alkaline water.





## Installation

1. Select the profile according to the tile thickness and the method of installation.
2. Use a notched trowel to apply tile adhesive over the area where the profile is to be installed.
3. Firmly press the trapezoid-perforated anchoring leg of the DILEX-AKWS into the adhesive and align it. The profile must align directly with expansion and movement joints in the substrate below.
4. Trowel additional adhesive over the perforated anchoring legs to ensure full coverage. Trowel tile adhesive against the vertical anchoring legs at an angle.
5. Firmly press the adjoining tiles into the tile adhesive without a joint to the vertical profile leg in such a way that the upper profile edge is flush with the tile (the profile should not protrude over the surface of the covering, preferably, it should be approx. 1 mm below the top level of the covering). Full coverage must be obtained at the profile area. Always adjoin the uncut tile edge to the profile.
6. The tile is set laterally to the profile, which creates an evenly spaced joint of 1.5 mm.
7. Completely fill the space between the profile and tile with suitable jointing material.

## Maintenance

Schlüter®-DILEX-AKWS is resistant to fungus and bacteria and requires no special maintenance or care. The profiles are cleaned together with the tiles, using a conventional household detergent.

### Movement absorption of Schlüter®-DILEX-AKWS

<b>DILEX-AKWS</b>	1,5 mm	1,5 mm	± 1,0 mm



## Product Overview

### Schlüter®-DILEX-AKWS

Colours: G = grey, HB = light beige, PG = pastel grey, GS = black

Length supplied: 2.50 m

Colours	G	HB	PG	GS
H = 10 mm	•	•	•	•
H = 11 mm	•	•	•	•
H = 12,5 mm	•	•	•	•
H = 14 mm	•	•	•	•
H = 16 mm	•	•	•	•
H = 21 mm	•	•	•	•

### Application areas depending on local traffic load



#### Foot traffic

Total weight

–



#### Shopping carts

Total weight

max. 0.4 t



#### Cars

Total weight

max. 3.5 t

● Suitable

**Schlüter-Systems KG** Schmölestraße 7 | D-58640 Iserlohn

+49 2371 971-0 +49 2371 971-1111 info@schlueter.de schlueter-systems.com

**Schlüter-Systems Ltd** Units 3-6 Bardon 22 Industrial Estate | Bardon Hill | Coalville | Leicestershire | LE67 1TE

+44 (0) 1530 813396 sales@schluter.co.uk schluter.co.uk