

Schlüter®-BARA-RTK

Edge profile
with groove for gutter attachment

5.9

Product data sheet

Application and function

Schlüter-BARA-RTK are finishing profiles for the exposed edges of covering assemblies on balconies and terraces with finished sloped screeds.

The groove in the protruding bonding flange allows for using edge protection profiles such as Schlüter-RONDEC or Schlüter-SCHIENE in the same colour as the balcony finishing profiles.

Schlüter-BARA-RTK is installed in the edge area by adhering the trapezoid perforated anchoring leg with a dry setting thin-bed tile adhesive.

Schlüter-DITRA can be integrated as a bonded waterproofing assembly. Other options for waterproofing include trowel-applied bonded waterproofing compounds or an assembly according to DIN 18531.

The front anchoring leg of BARA-RTK features a T shaped profile chamber at the bottom edge for attaching the gutter system Schlüter-BARIN.

The elongated openings in the BARIN gutter system allow for sloping the gutter assembly.

Material

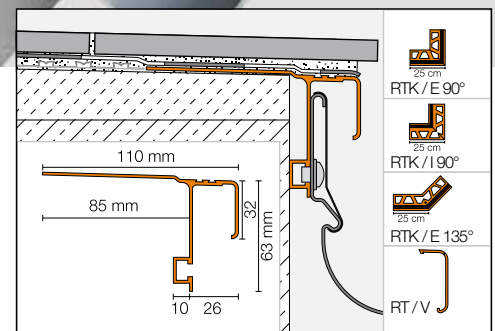
The profile is available in the following material version:
AC = colour coated aluminium



Material properties and areas of application:

The coating of the aluminium profiles is colour-stable, as well as UV and weather-resistant. Visible surfaces should be protected against abrasion.

In special cases, the suitability of BARA-RTK must be verified based on the anticipated chemical and mechanical stresses.





Installation

1. As an edge finishing and gutter attachment profile (for Schlüter-BARIN), Schlüter-BARA-RTK is embedded into the thin-bed mortar setting material with the trapezoid perforated anchoring leg aligned at the edge of the screed. Completely cover the anchoring leg with mortar.

2. Bring the Schlüter-DITRA mat up to the anchoring leg. Apply the sealing band Schlüter-KERDI-KEBA to create the connection to the profile.

The sealing band must be adhered with an overlap of at least 5 cm over DITRA, covering the entire anchoring leg to the undercut profile of the protruding bonding flange of BARA-RTK, using the sealing adhesive Schlüter-KERDI-COLL-L or the installation adhesive Schlüter-KERDI-FIX. The system is now ready for the installation of tiles in the thin-bed method, as specified in the installation instructions of data sheet 6.1 Schlüter-DITRA. The tiles should be flush with the BARA-RTK edge lip in the edge area. If using finishing profiles such as RONDEC, JOLLY or SCHIENE, apply tile adhesive on Schlüter-KERDI-KEBA and fully embed the profile in the adhesive.

3. If using a trowel applied waterproofing compound, integrate BARA-RTK into the waterproofing system by installing the trapezoid perforated anchoring leg in the exposed edge area. Make sure to continue the waterproofing assembly over the undercut profile of the protruding bonding flange. If using bonded waterproofing systems, observe the installation instructions of the respective manufacturer.

4. If using a waterproofing assembly according to DIN 18531, adhere BARA-RTK to the sloped screed by installing the trapezoid perforated anchoring leg in the exposed edge area with a suitable tile adhesive. Apply a levelling layer in the transition area from the screed to the anchoring leg to avoid weakening the sloped screed near the edge. Make sure to continue the waterproofing assembly over the undercut profile of the protruding bonding flange and to seal it tightly in this area.

5. In case of waterproofing assemblies according to DIN 18531, the further structure of the covering either consists of applying a drainage membrane, followed by installing a load distribution or gravel layer, or of stilted coverings constructed from large format pavers. The applicable regulations must be observed in both cases.

6. Once the covering is fully installed, the gutter system can be attached to the BARA profile, using the supplied screws. The elongated openings allow for setting up a slope as needed.

7. Notes: pre-fabricated corner pieces are available to create internal and external corners. Abut the profile ends of BARA-RTK with a joint of approx. 5 mm and conceal the joint with snap-on connectors. If using a finishing profile, cut the connector at the predetermined breaking point and adhere it to the edge profile with the installation adhesive Schlüter-KERDI-FIX (see Fig. 1).

The applicable instructions and installation guidelines for the relevant covering assemblies must be observed. All utilised materials must be weather-resistant, waterproof and suitable for outdoor areas.

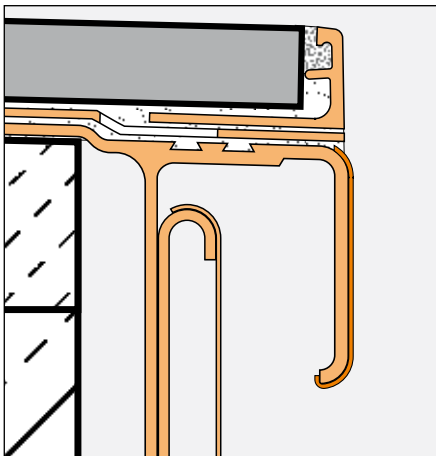
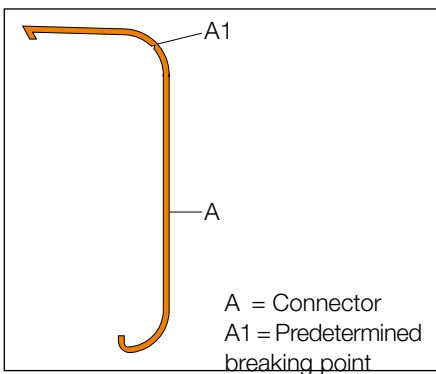
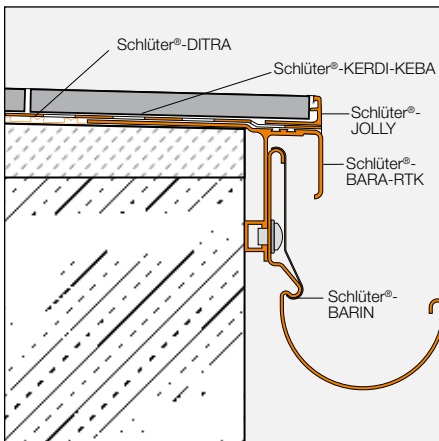
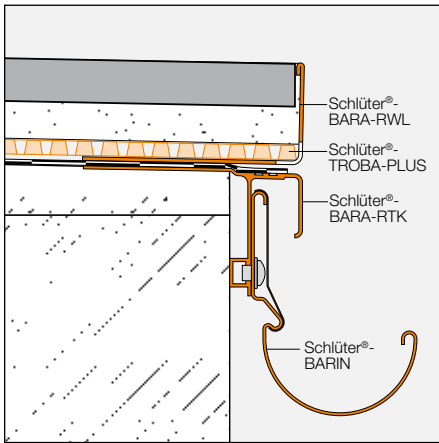
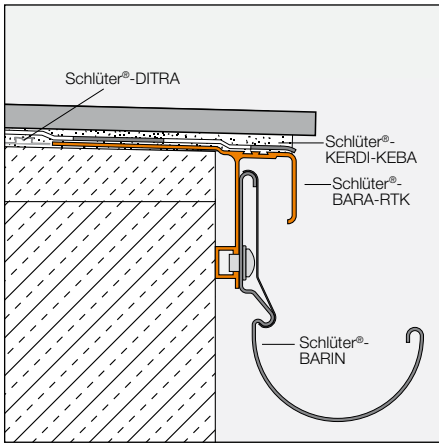


Figure 1

Notes

BARA-RTK requires no special maintenance or care. The powder coated surface of the aluminium profile is UV resistant and colour-stable. Damage to surface can be restored with paint.





Product overview:

Schlüter®-BARA-RTK

Colours: HB = light beige, RB = red brown, SB = black brown, PG = pastel grey, BW = brilliant white,

GM = grey metallic

Length supplied: 2.50 m

Colours	HB	RB	SB	PG	BW	GM
Profile	•	•	•	•	•	•
90° corner	•	•	•	•	•	•
135° corner	•	•	•	•	•	•
Internal corner 90°	•	•	•	•	•	•
Connector	•	•	•	•	•	•

Text template for tenders:

___linear metres of Schlüter-BARA-RTK as an angled balcony edge profile made of coated aluminium with a protruding bonding flange for attaching finishing profiles and an attached drip lip, as well as an attachment option for a height-adjustable gutter, to be supplied and professionally installed in the edge area over a finished sloped screed with the trapezoid perforated anchoring leg while observing the manufacturer's instructions.

Accessories such as internal/external corners and connectors

■ are to be included in unit prices

■ are to be charged separately.

Profile height: _____ mm

Colour: _____

Art.-No.: _____

Material: _____/m

Labour: _____/m

Total: _____/m