

Schlüter®-BARA-RT

Edge profile
T shaped edge profile

5.19

Product data sheet

Application and Function

Schlüter-BARA-RT is a T shaped connector profile for balcony and terrace coverings. It can be used in conjunction with loose gravel, stilted constructions, or in bonded assemblies.

In installations with self-supporting pavers on screed contact points or gravel/crushed stone beds, the trapezoid perforated anchoring leg of Schlüter-BARA-RT is placed at the edge of the construction on top of the drainage membrane Schlüter-TROBA or Schlüter-TROBA-PLUS, where it is aligned vertically and horizontally. The vertical finishing leg provides a neat finishing edge for the complete assembly and allows for the drainage of water. The different profile heights from 9 to 65 mm accommodate a variety of edge formats. The profile can also be used in conjunction with tile coverings. In this case, the trapezoid perforated anchoring leg of the finishing profile Schlüter-BARA-RT is fully embedded in the tile adhesive and integrated into the bonded waterproofing assembly.

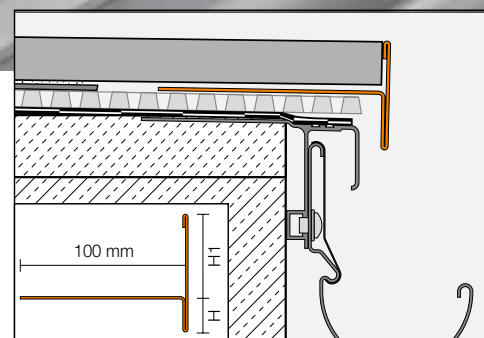
Alternatively, the trapezoid perforated anchoring leg of Schlüter-BARA-RT can be fully embedded in the screed, which allows for installing the mortar bed flush with the upper edge of the profile. Schlüter-TROBA-PLUS must be installed as an area drainage membrane between the waterproofing layer and the screed to ensure that water cannot accumulate in the screed layer. If Schlüter-DITRA is to be installed, the screed must be 3 mm lower than the upper profile edge. The profile creates a neat edge finish and covers the edge of tiles as well as any exposed screed.



Note: Schlüter-BARA-RHA is available as a height-adjustable cover profile made of coated aluminium in the same colour. It is inserted in Schlüter-BARA-RT to finish the exposed edges of balconies and terraces for a neat edge appearance.

Material

The profile is available in the following material version:
AC = aluminium, colour-coated



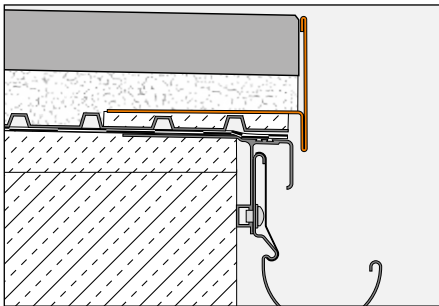


Fig. 1

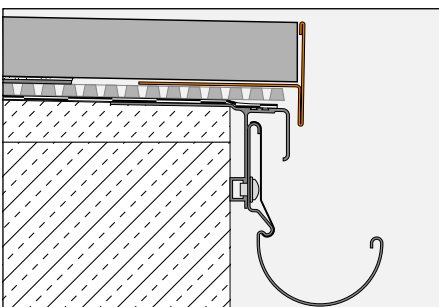


Fig. 2

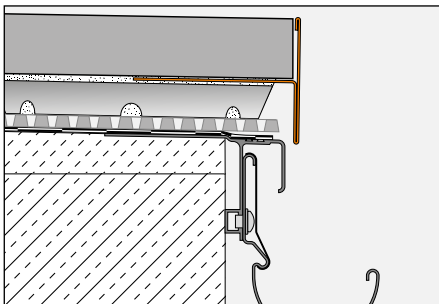


Fig. 3

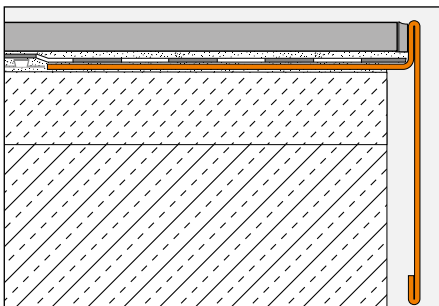


Fig. 4

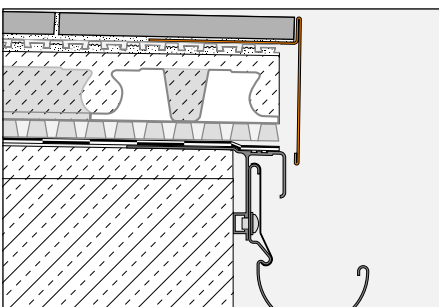


Fig. 5

Material properties and areas of application:

Schlüter-BARA-RT is made of colour coated aluminium. The coating of the aluminium profile is colour stable as well as UV- and weather resistant.

Visible surfaces should be protected against abrasion. The tile adhesive layer into which Schlüter-BARA-RT is embedded may not accumulate any water (full embedding), since alkaline water has a corrosive effect on aluminium.

In special cases, the suitability of Schlüter-BARA-RT must be verified based on the anticipated chemical and mechanical stresses.

Installation with self-supporting pavers on mortar contact points or gravel/crushed stone beds (Fig. 1 to 3)

1. Select Schlüter-BARA-RT according to the thickness of the edge area to be covered. Pre-formed corners are available for external corners. About the profile ends with a space of approx. 5 mm and cover the gap with clip-on connectors, using the installation adhesive Schlüter-KERDI-FIX.
 2. Embed the trapezoid perforated anchoring leg of the edging profile Schlüter-BARA-RT on the edge of the screed (Fig. 4) or on the previously installed drainage mat Schlüter-DITRA-DRAIN (Fig. 5) by placing it into the contact layer of thin set adhesive and trowel additional adhesive over the leg so that it is completely covered.
 3. If using Schlüter-DITRA, about the edge of the membrane to the anchoring leg. The connection with the profile is established with the sealing band Schlüter-KERDI-KEBA. Use the sealant adhesive Schlüter-KERDI-COLL-L or the installation adhesive Schlüter-KERDI-FIX to attach the sealing band, with an overlap of at least 5 cm on Schlüter-DITRA. The sealing band should reach the angled edge of Schlüter-BARA-RT.
 4. The tiles are now installed, leaving a suitable space to the anchoring leg, which is to be filled with grout.
- 3.1 When using Schlüter-BARA-RT as a gravel retaining edge (Fig. 1), the gravel should reach just below the upper edge of the vertical profile leg, depending on the thickness of the covering. Now the concrete pavers are loosely installed on the levelled gravel bed.
 - 3.2 When installing on top of Schlüter-TROBA-PLUS with thin bed moulding rings, Schlüter-TROBA-STELZ-DR (Fig. 2), the Schlüter-BARA-RT finishing profile will cover the exposed edge of the assembly. The outside thin bed contact points are positioned on the trapezoid perforated anchoring leg of Schlüter-BARA-RT.
 - 3.3 The self supporting pavers are then laid onto the contact points. When using the stilted construction with Schlüter-TROBA-STELZ-MR (Fig. 3), the profile Schlüter-BARA-RT is integrated into

the mortar point. The finishing profile covers the exposed edge of the cover assembly. The self supporting pavers are then installed on top of the stilted construction.

Note: A sufficiently large space for drainage must be provided to allow for unobstructed water drainage in the edge area of the cover assembly.

Installation in conjunction with tile coverings (Fig. 4 and 5)

1. Select Schlüter-BARA-RT according to the thickness of the edge area to be covered. Pre-formed corners are available for external corners. About the profile ends with a space of approx. 5 mm and cover the gap with clip-on connectors, using the installation adhesive Schlüter-KERDI-FIX.
2. Embed the trapezoid perforated anchoring leg of the edging profile Schlüter-BARA-RT on the edge of the screed (Fig. 4) or on the previously installed drainage mat Schlüter-DITRA-DRAIN (Fig. 5) by placing it into the contact layer of thin set adhesive and trowel additional adhesive over the leg so that it is completely covered.
3. If using Schlüter-DITRA, about the edge of the membrane to the anchoring leg. The connection with the profile is established with the sealing band Schlüter-KERDI-KEBA. Use the sealant adhesive Schlüter-KERDI-COLL-L or the installation adhesive Schlüter-KERDI-FIX to attach the sealing band, with an overlap of at least 5 cm on Schlüter-DITRA. The sealing band should reach the angled edge of Schlüter-BARA-RT.
4. The tiles are now installed, leaving a suitable space to the anchoring leg, which is to be filled with grout.





Installation in screed (Fig. 6)

1. Schlüter-BARA-RT is attached at the desired level in the edge area on a layer of screed and aligned. Pre-formed corners are available for external corners. Abut the profile ends with a space of approx. 5 mm and cover the gap with clip-on connectors, using the installation adhesive Schlüter-KERDI-FIX.
2. A load distribution layer is now formed by installing a screed mortar, which is sloped to end flush with the upper edge of the Schlüter-BARA-RT profile or lower, deducting the thickness of the tiles to be installed. A space of 3 mm below the upper edge of the profile must be left for the installation of the uncoupling and waterproofing membrane Schlüter-DITRA.

Note: Schlüter-TROBA or Schlüter-TROBA-PLUS should be installed between the waterproofing assembly and the screed as an area drainage.

Maintenance

Schlüter-BARA-RT requires no special maintenance. The coated surface of the aluminium profile is colour stable. Damaged visible surfaces can be restored with paint.

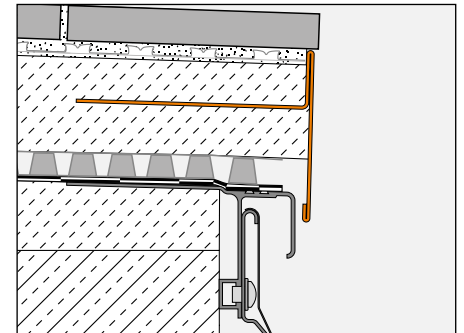


Fig. 6

Product Overview

Schlüter®-BARA-RT

Colours: AG = anthracite grey, BW = brilliant white, GM = grey metallic, HB = light beige, PG = pastel grey, RB = red brown, SB = black brown
 Supplied length: 2.5 m

| Colours | AG | BW | GM | HB | RB | PG | SB |
|-----------------|----|----|----|----|----|----|----|
| H/H1 = 9/60 mm | • | • | • | • | • | • | • |
| H/H1 = 12/16 mm | • | • | • | • | • | • | • |
| H/H1 = 12/65 mm | • | • | • | • | • | • | • |
| H/H1 = 20/50 mm | • | • | • | | | • | |
| H/H1 = 25/40 mm | • | • | • | | | • | |
| H/H1 = 30/35 mm | • | • | • | | | • | |
| 90° corner | • | • | • | • | • | • | • |
| Connector | • | • | • | • | • | • | • |

Profile mit Radiusstanzung, siehe aktuelle Bild-Preisliste.

Text template for tenders:

_____ linear metres of Schlüter-BARA-RT as a T shaped edging profile of coated aluminium, to be supplied and professionally installed with the trapezoid perforated anchoring leg, while observing the manufacturer's instructions. Accessories such as external corners and connectors

■ are to be included in the unit prices.

■ are to be charged separately.

Profile height: _____ mm

Colour: _____

Art.-No.: _____

Material: _____/m

Labour: _____/m

Total: _____/m

