

# Schlüter®-KERDI-DRAIN

## Drainage

Floor drains for bonded waterproofing assemblies

# 8.2

Product data sheet

### Application and function

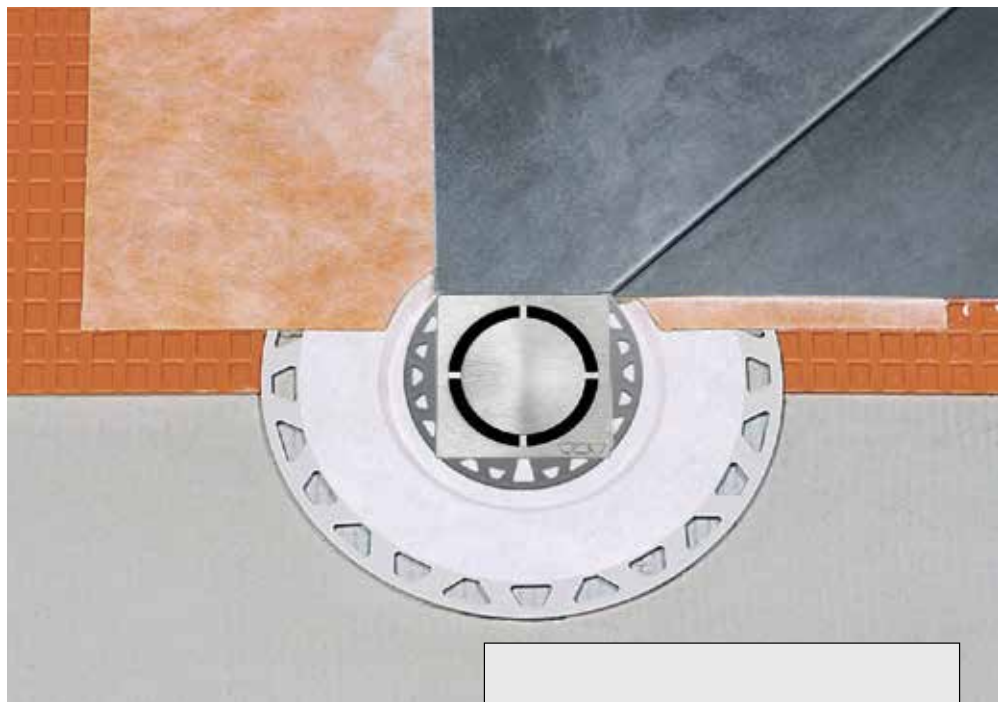
**Schlüter®-KERDI-DRAIN** is a floor drain system for the simple and secure connection of bonded waterproofing membranes to the drainage system of buildings. Bonded waterproof layers, which are recognised by the ZDB (German Contractors Association) notification as current state of technology. The Schlüter®-KERDI Collar is attached to the large, trapezoid-perforated, and fleece-coated adhesive flange of the thin-set insert as a sealing connection to the bonded waterproofing assembly.

Schlüter®-KERDI-DRAIN products have a modular structure and can be individually assembled to match every requirement. A variety of grate designs can be combined with different vertical or horizontal drain body with or without odour traps.

Schlüter®-KERDI-DRAIN-STYLE offers various grate designs in conjunction with a virtually invisible contour frame.

**Schlüter®-KERDI-DRAIN-BASE** is an especially low floor drain that is suitable for installation in barrier-free shower designs created with conventional method or with Schlüter®-KERDI-SHOWER floor components.

Complete sets of Schlüter®-KERDI-DRAIN are available in 3 variants for the installation of floor drain systems. Schlüter®-KERDI-DRAIN-R10 GT is an odour trap with a silicone dry flap for all 100 x 100 mm grate/frame sets. It can be used instead of the two-piece odour trap and prevents the formation of odours that can occur in seldom-used drain systems (in guest bathrooms, vacation homes etc.) when the odour trap unit dries up. With a drain capacity of at least 0.4 l/s (in accordance with DIN EN 1253), the dry odour trap can permanently replace the existing odour trap unit in those



cases. The enclosed care instructions must be observed.

### Material

Depending on the type, drain bodies are made of high-impact polypropylene (PP) or acrylonitrile butadiene styrene (ABS). The thin-set insert consists of acrylonitrile butadiene styrene (ABS) with a bonding flange that features a fleece-covered surface. Schlüter®-KERDI Collar is a crack-bridging waterproofing membrane made of soft polyethylene (PE) and covered on both sides with a special fleece webbing to provide a solid bond to the tile adhesive. It enables the secure connection of the thin-set insert to the bonded waterproofing assembly

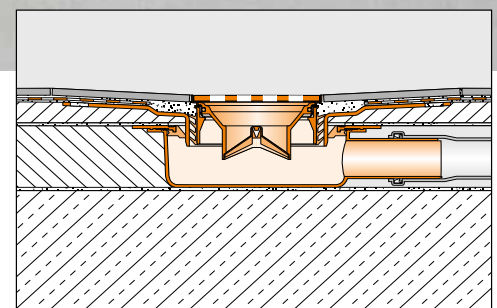


Fig.: Contour frame with design cover and dry odour trap

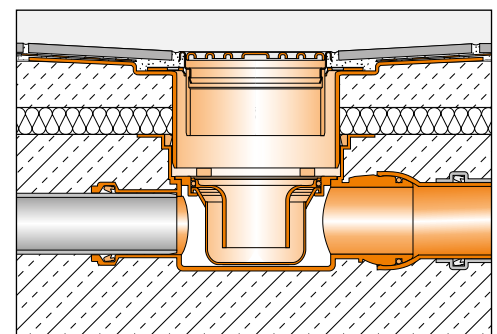
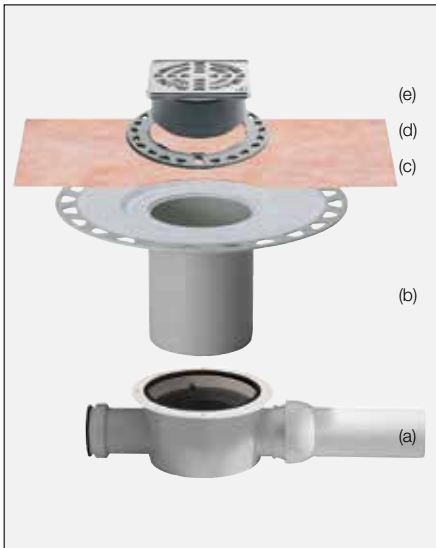


Fig.: Frame with conventional grate cover and odour trap unit

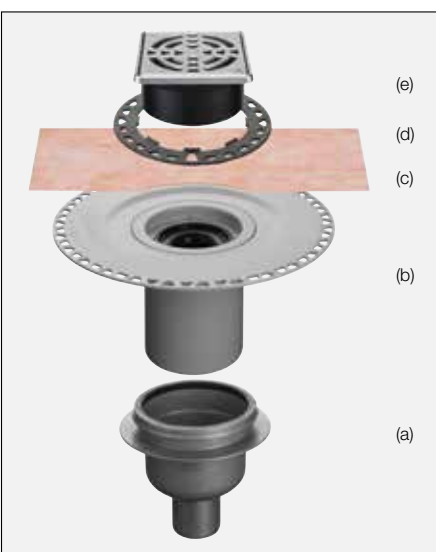


**Schlüter®-KERDI-DRAIN  
interior - horizontal drain**



- a Drain body
- b Thin-set insert
- c Schlüter®-KERDI Collar
- d Height adjustment collar
- e\* Stainless steel grate and frame

**Schlüter®-KERDI-DRAIN  
interior - vertical drainage**



- a Drain body
- b Thin-set insert
- c Schlüter®-KERDI Collar
- d Height adjustment collar
- e\* Stainless steel grate and frame

in the floor area. In conjunction with the waterproofing systems Schlüter®-KERDI, Schlüter®-DITRA 25, Schlüter®-DITRA-HEAT, Schlüter®-KERDI-BOARD as well as Schlüter®-KERDI-SHOWER and the associated system sealing adhesives Schlüter®-KERDI-COLL-L or Schlüter®-KERDI-FIX, this results in certified bonded waterproofing assemblies with a connected drainage. Schlüter®-KERDI-DRAIN is a system component that complies with the German waterproofing standard DIN 18534 and features national technical approval (abP) in conjunction with the above-mentioned Schlüter systems. The moisture load groups according to abP can be found in the respective product data sheets. Pursuant to ETAG 022 (watertight covering kits), Schlüter®-KERDI-DRAIN is a component of a system with European Technical Approval (ETA). The above-listed Schlüter products tested with KERDI-DRAIN bear a CE mark. The stainless steel grate is made of V2A (material no. 1.4301= AISI 304), but can also be supplied in stainless steel V4A (material no. 1.4404 = AISI 316L).

**Material properties  
and areas of application:**

The drain bodies, thin-set inserts, and grates are classified as K3 pursuant to DIN EN 1253, "Gullies for buildings." This classification refers to surfaces without vehicular traffic, such as wet areas in apartments, senior residences, hotels, schools, washing and shower installations, as well as terraces, patios, and balconies. Drains installed in areas that may be exposed to freezing temperatures must not have an odour trap. If an odour trap is required, it must be installed at a different location where it is protected from freezing, for example within a building. The horizontal drain body of the floor drain set KD BH 50 GV has an inlet and an outlet. The inlet is covered with a factory-installed cap, which can be removed and connected, e.g. to a sink, in order to ensure regular refilling of the odour trap. Grates made of stainless steel 1.4301 (V2A) or 1.4404 (V4A) are particularly well suited for applications that, in addition to high mechanical stresses, require resistance to chemicals such as acidic or alkaline media, cleaning agents, or de-icing salts. Depending on the anticipated stresses, customers

can choose between the alloy materials 1.4301 or 1.4404. The use of 1.4404 is recommended if consistent chemical exposure is expected, for example in the case of swimming pools (fresh water). Even stainless steel is not resistant to all chemical stresses, and may be affected by, e.g., hydrochloric and hydrofluoric acid or certain chloride and brine concentrations. In certain cases, this also applies to seawater pools. Special anticipated stresses should therefore be verified in advance.

**Installation of  
Schlüter®-KERDI-DRAIN  
with drain body**

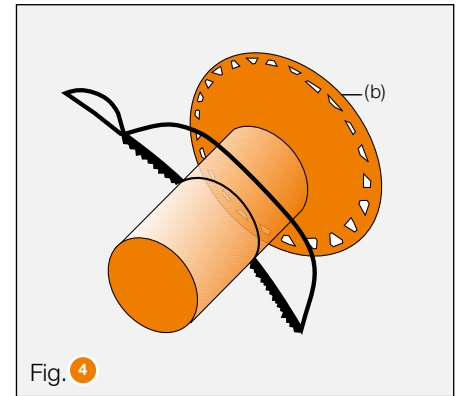
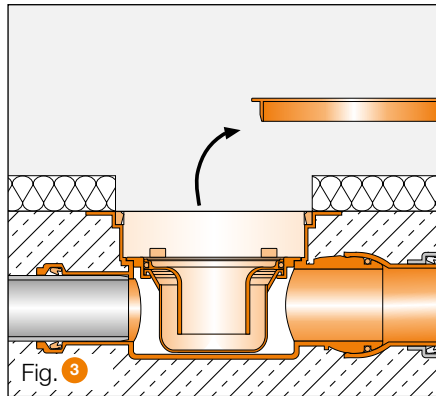
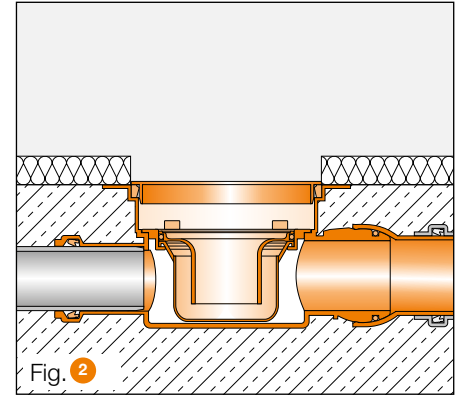
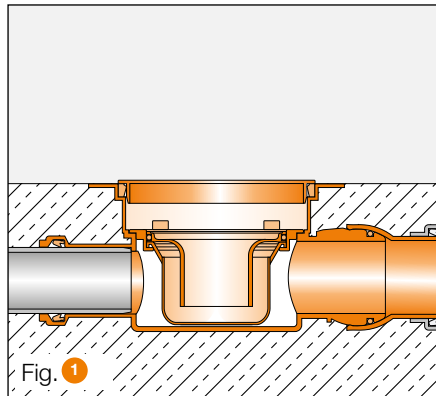
1. The Schlüter®-KERDI-DRAIN drain body (a) is integrated into the floor assembly and connected to the drainage system (Fig. 1).
2. If required, sound or heat insulation may be installed (Fig. 2).
3. The construction cover of the drain housing (Fig. 3) is removed and the thin-set insert Schlüter®-KERDI-DRAIN (b) is cut to the height of the floor assembly (Fig. 4). The unit is set on top of the floor drain (Fig. 6) and pushed into place (using a lubricant if required). Note on Fig.6: To allow for sufficient height movement of coverings with insulation, cut the neck to such a length that it does not sit on the bottom of the drain housing.
4. The screed is then placed and aligned flush with the trapezoid-perforated bonding flange of the Schlüter®-KERDI-DRAIN thin-set insert (b).
5. By adhering the Schlüter®-KERDI Collar (c), a waterproof connection to the screed surface is achieved (Fig. 7). The connecting waterproof layer, consisting of Schlüter®-KERDI or a trowel-applied system, is connected to the collar with a sufficient overlap. If Schlüter®-DITRA 25 is used as the waterproof layer, it is carried to the edge of the perforated bonding flange. Then, ensuring solid coverage, Schlüter®-KERDI Collar is set, overlapping the DITRA 25 membrane. Schlüter®-KERDI Collar is best adhered with the sealing adhesive Schlüter®-KERDI-COLL-L.

\* The drainage systems listed here also apply to contour frames with design grates!

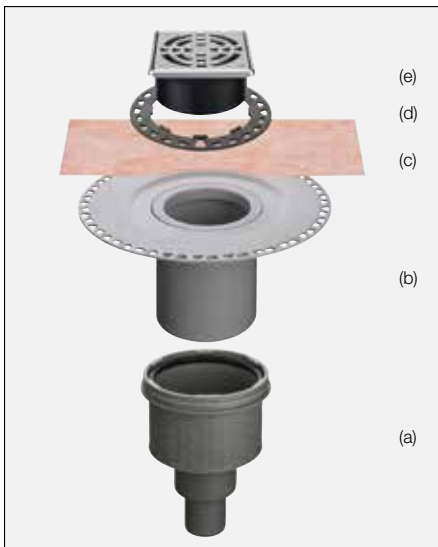


6. Coatings or tiles can be applied as surface coverings. The height of the grate (e) is adjusted via the adjustment collar (d). The grate is set with adhesive and aligned flush with the covering (Fig. 8). Since the neck of the grate (e) has a smaller diameter than the thin-set insert (b), the grate can be positioned to match the joint pattern of the tile covering.

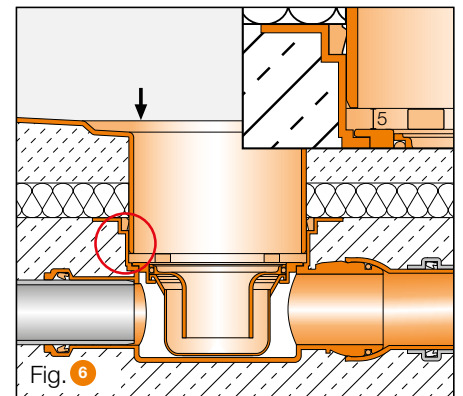
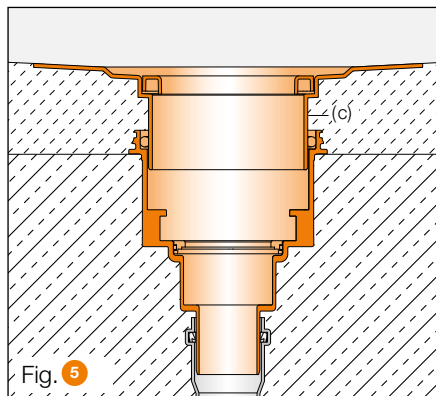
Note:  
Schlüter®-KERDI-DRAIN can also be installed in wood constructions. Further details are available upon request.



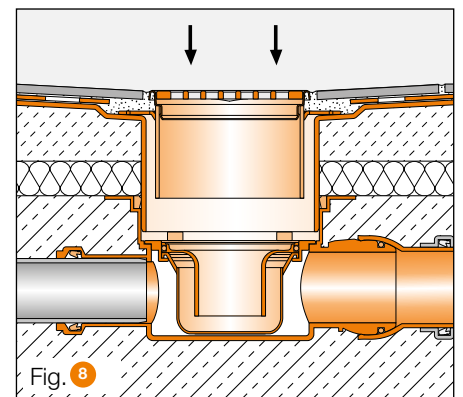
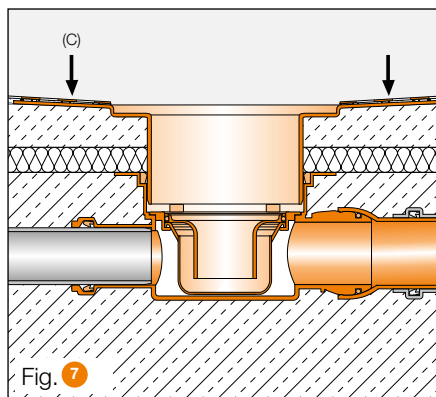
**Schlüter®-KERDI-DRAIN exterior - vertical drain**



- a Drain body – without odour trap
- b Thin-set insert
- c Schlüter®-KERDI Collar
- d Height adjustment collar
- e\* Stainless steel grate and frame



Example assembly - vertical drain



\* The drainage systems listed here also apply to contour frames with design grates!



## Notes

Schlüter®-KERDI-DRAIN / -KERDI-DRAIN-BASE requires no special maintenance or care. Stainless steel surfaces exposed to the environment or aggressive substances should be cleaned periodically using a mild household cleaner.

We recommend the use of the stainless-steel cleaning polish Schlüter®-CLEAN-CP. Regular cleaning maintains the neat appearance of stainless steel and reduces the risk of corrosion. All cleaning agents must be free of hydrochloric and hydrofluoric acid. The stainless steel grate and the odour trap may be removed to clean the drain body and the drain pipes.

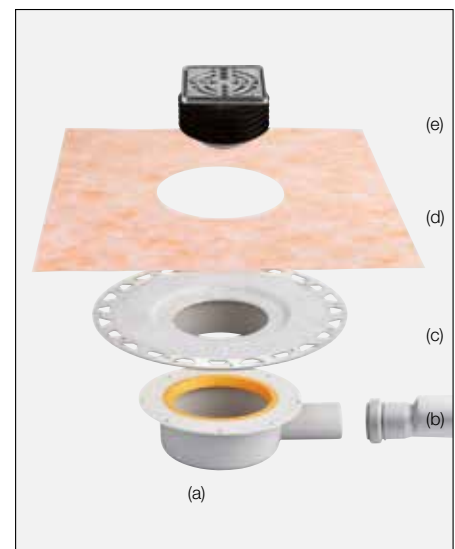
## Installation Schlüter®-KERDI-DRAIN-BASE

1. The drain body Schlüter®-KERDI-DRAIN-BASE (a) is placed on the support structure (using suitable impact insulation if required) and connected to the drainage pipe. If necessary, the supplied adapter piece DN 40/50 (b) is used for this purpose.
2. The screed is installed in such a way that the trapezoid-perforated flange of the Schlüter®-KERDI-DRAIN thin-set insert (c) is flush with the upper edge of the screed (see Fig. 1).
3. Attaching Schlüter®-KERDI Collar (d) with the sealing adhesive Schlüter®-KERDI-COLL-L creates a waterproof transition to the screed area. The connecting waterproof layer, consisting of Schlüter®-KERDI or a trowel-applied system, is connected to the collar with a sufficient overlap. If Schlüter®-DITRA 25 is used as the waterproof layer, it is carried to the edge of the perforated bonding flange. The Schlüter®-KERDI Collar is now embedded with full overlap on the DITRA 25 mat. Schlüter®-KERDI Collar is best adhered with the sealing adhesive Schlüter®-KERDI-COLL-L. The corresponding installation instructions must be observed if Schlüter®-KERDI-DRAIN-BASE is installed together with Schlüter®-KERDI-SHOWER (Fig. 2).
4. Suitable covering materials include coatings or ceramic tiles (covering thicknesses 3-15 mm). Without using lubricants, the stainless steel grate (Fig. 3) is pushed in place. The grate is set with adhesive (Fig 4) and aligned flush with the covering.
5. Prior to using the drain, remove the stainless steel grate and push down on the odour trap to check its positioning (Fig. 5; if necessary, apply some lubricant to the O-ring).

Note:

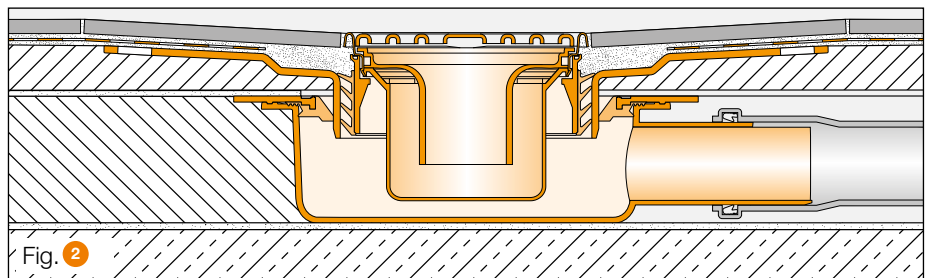
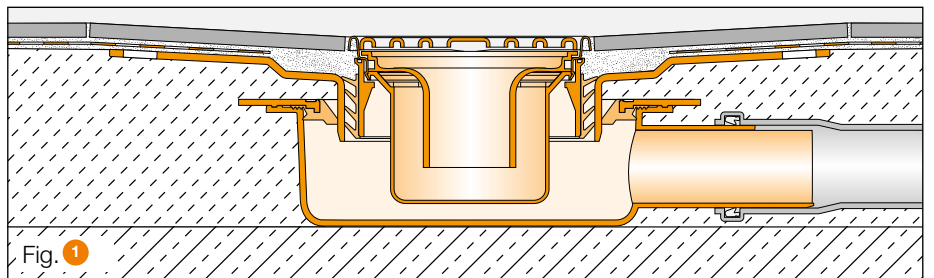
Schlüter®-KERDI-DRAIN can also be installed in wood constructions. Further details are available upon request.

### Schlüter®-KERDI-DRAIN-BASE



Sample assembly

a	Drain body
b	Transition from DN 40 to DN 50
c	Thin-set insert
d	Schlüter®-KERDI Collar
e*	Stainless steel grate with frame and integrated odour trap







### Schlüter®-KERDI-DRAIN thin-set floor drain



Sample assembly

a	Thin-set floor drain
b	Schlüter®-KERDI Collar
c	Two-piece odour trap
d	Height adjustment collar
e*	Stainless steel grate with substructure and integrated odour trap

### Installation Schlüter®-KERDI-DRAIN thin-set floor drain

1. After the installation of impact or heat insulation, if applicable, the thin-set floor drain (a) is positioned in accordance with the height of the floor assembly and connected to the drainage system.
2. The screed is then installed in such a way that the trapezoid-perforated flange of the Schlüter®-KERDI-DRAIN insert (Fig. 1) is flush with the upper edge of the screed.
3. By adhering the Schlüter®-KERDI Collar (b) with the sealing adhesive Schlüter®-KERDI-COLL-L a waterproof connection to the screed surface is achieved (Fig. 2). The connecting waterproof layer, consisting of Schlüter®-KERDI or a trowel-applied system, is connected to the collar with a sufficient overlap. If Schlüter®-DITRA 25 is used as the waterproof layer, it is carried to the edge of the perforated bonding flange. The Schlüter®-KERDI Collar is now embedded with full overlap on the DITRA 25 mat. Schlüter®-KERDI Collar is best adhered with the sealing adhesive Schlüter®-KERDI-COLL-L.
4. Coatings or tiles (Fig 3) can be applied as surface coverings.

#### Note:

Schlüter®-KERDI-DRAIN can also be installed in wood constructions. Further details are available upon request.

### Notes

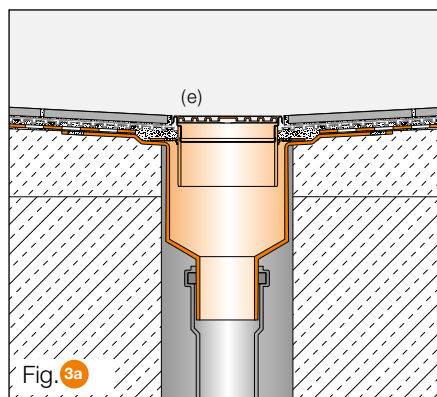
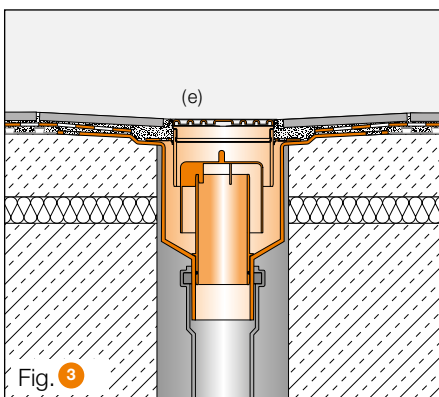
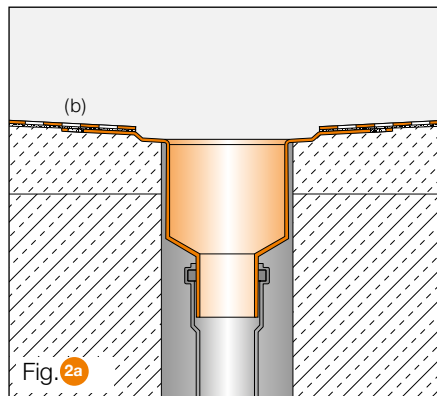
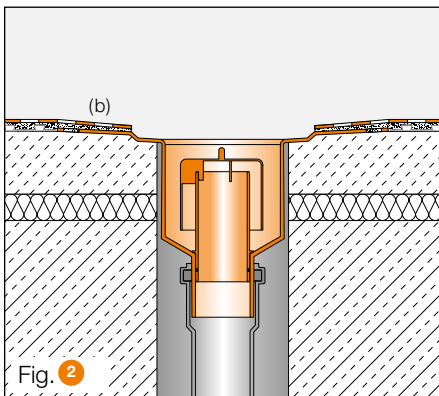
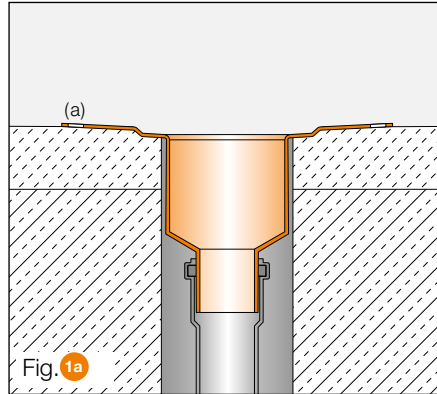
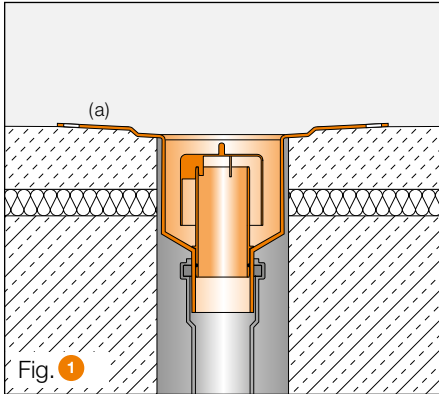
Schlüter®-KERDI-DRAIN requires no special maintenance or care. Stainless steel surfaces exposed to the environment or aggressive substances should be cleaned periodically using a mild household cleaner. Regular cleaning maintains the neat appearance of stainless steel and reduces the risk of corrosion.

All cleaning agents must be free of hydrochloric and hydrofluoric acid. The stainless steel grate and the odour trap may be removed to clean the drain body and the drain pipes.



Interior

Exterior



\* The drainage systems listed here also apply to contour frames with design grates!



## Installing the Schlüter®-KERDI-DRAIN covering support

1. The installation of the covering can begin as soon as Schlüter®-KERDI Collar has been adhered with the sealing adhesive Schlüter®-KERDI-COLL-L. Suitable covering materials include ceramic tiles or natural stone.
2. **Covering support with substructure and adjustment collar.** Thin-bed adhesive is applied to the thin-set floor drain (Fig. 1a). The stainless steel frame with the perforated holes is placed into the recessed openings of the adjustment collar (Fig. 2a) and embedded it in the thin-bed adhesive (Fig. 3a).

**Covering support with substructure and integrated odour trap.** The stainless steel grate with neck is placed into the thin-set insert (Fig. 1b), set in adhesive (Fig. 2b), and then pushed in to the maximum depth (Fig. 3b).

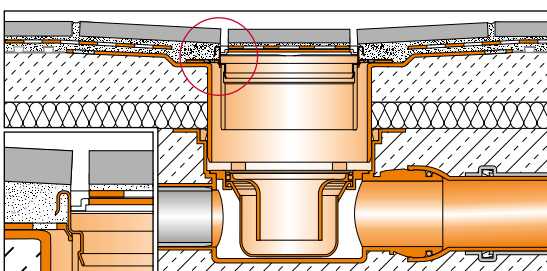
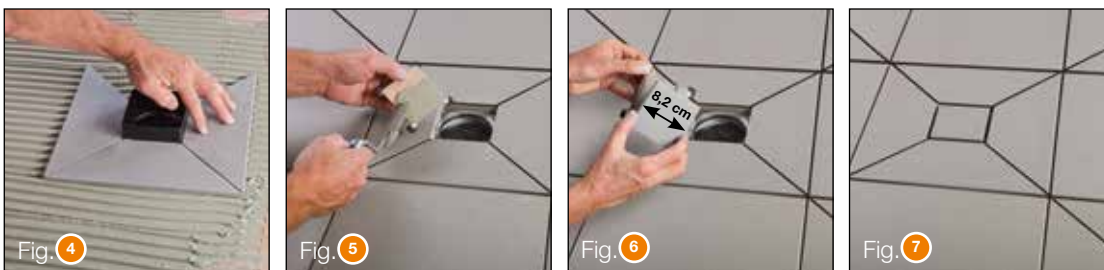
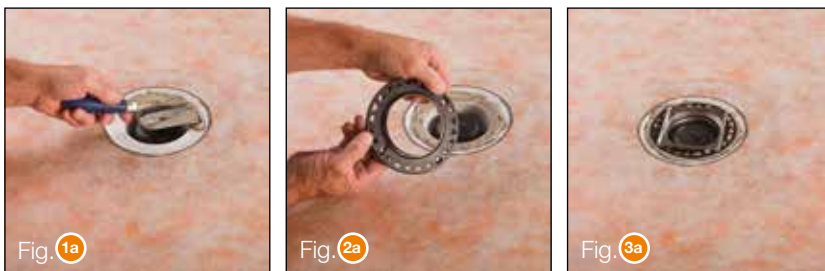
3. Once the spacer has been placed, the installation of the covering can begin. It is important to install the covering directly adjoining the spacer at the frame (Fig. 4). Any excess adhesive must be wiped off after removing the spacer.

4. Place thin-bed adhesive on the covering support (Fig. 5) and adhere it to the matching covering cut-out of 8.2 x 8.2 cm (Fig. 6) to create a peripheral water drainage gap of at least 5 mm (Fig. 7).

Note:

For neat appearance, it is recommended to use a wet cutting machine for custom cuts and to bevel the edges.

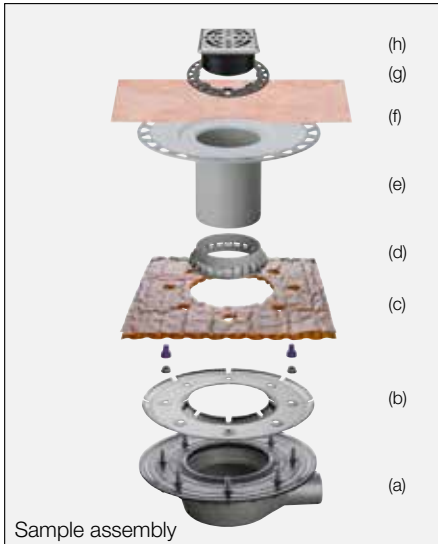
The installation instructions included with the drain body also must be observed.







**Schlüter®-KERDI-DRAIN  
KD BH 50 MSBB**

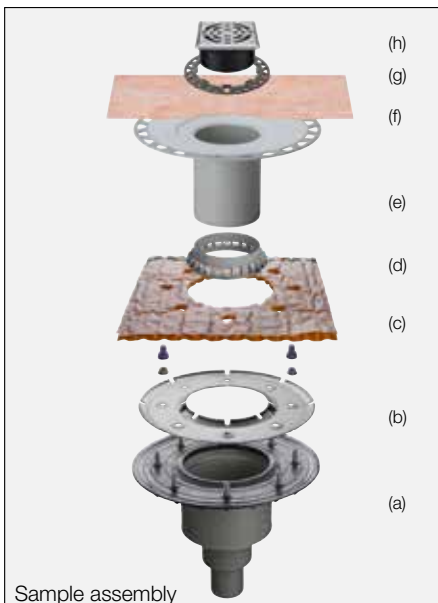


Sample assembly

Floor drain set:

- a Drain body with waterproofing connection
  - b Stainless steel flange collar
  - c Schlüter®-TROBA-PLUS 8 drainage collar
  - d Inlet element
  - e Thin-set insert
  - f Schlüter®-KERDI Collar
- Grate/frame set:
- g Adjustment collar
  - h Stainless steel grate and frame

**Schlüter®-KERDI-DRAIN  
KD BV 50 MSBB**



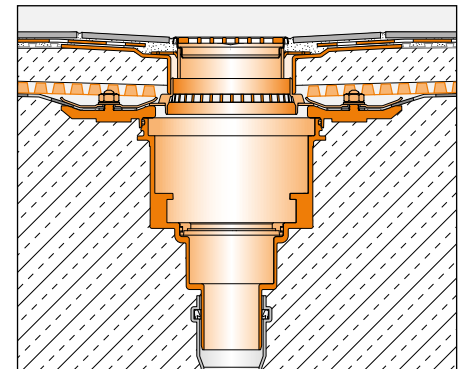
Sample assembly

**Drainage at two levels**

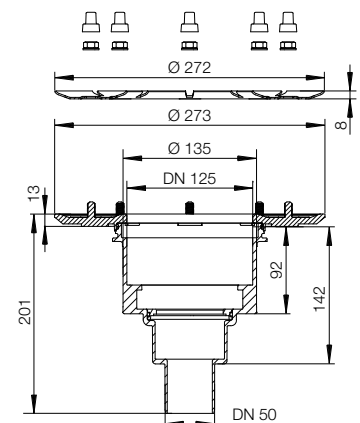
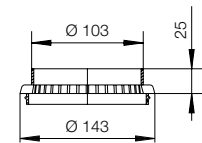
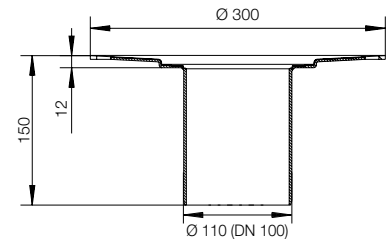
1. The drain system Schlüter®-KERDI-DRAIN (a) is installed in the support structure and connected to the drainage pipe.
2. Prior to installing the waterproofing membrane, the stainless steel flange ring (b) is removed. Then install the waterproofing membrane and cut out an opening in the size of the sealing flange. The enclosed Schlüter®-TROBA-PLUS drainage collar (c) can be used as a template for cutting. After inserting the waterproofing membrane, set the stainless steel flange ring in place and firmly tighten the screws.
3. Insert the perforated inlet element (d) into the sealing flange. The enclosed Schlüter®-TROBA-PLUS 8 drainage collar is placed on the sealing flange, matching the cut-outs. The Schlüter®-KERDI-DRAIN (e) thin-set insert is cut to size in accordance with the assembly height and placed over the perforated inlet element.
4. Now install the screed in such a way that the trapezoid perforated flange of the Schlüter®-KERDI-DRAIN thin set insert (e) is flush with the upper edge of the screed.
5. By adhering the Schlüter®-KERDI Collar (b) with the sealing adhesive Schlüter®-KERDI-COLL-L a waterproof connection to the screed surface is achieved. The connecting waterproof layer, consisting of Schlüter®-KERDI or a trowel-applied system, is connected to the collar with a sufficient overlap. If Schlüter®-DITRA 25 is used as the waterproof layer, it is carried to the edge of the perforated bonding flange. The Schlüter®-KERDI Collar is now embedded with full overlap on the DITRA 25 mat. Schlüter®-KERDI Collar is best adhered with the sealing adhesive Schlüter®-KERDI-COLL-L.
6. Coatings or tiles can be applied as surface coverings. The height of the grate (h) is adjusted via the adjustment collar (g). The grate is set with adhesive and aligned flush with the covering. Since the substructure of grate (h) has a smaller diameter than the thin set insert (e), the grate can be positioned to match the joint pattern of the tile covering.

Note:

The applicable construction guidelines for flat roofs with continuous peripheral parapets call for a safety overflow. Our stainless steel spout Schlüter®-KERDI-DRAIN-SP-E is particularly suited for this purpose.

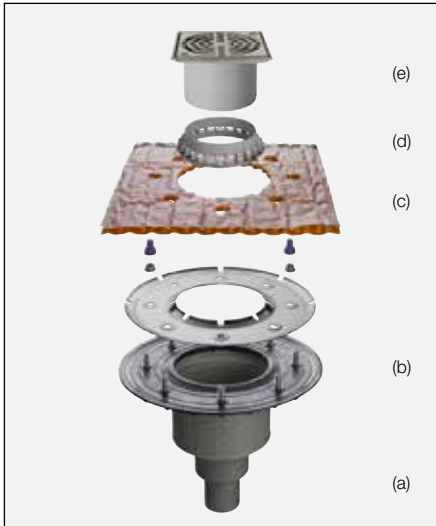


Sample installation, vertical

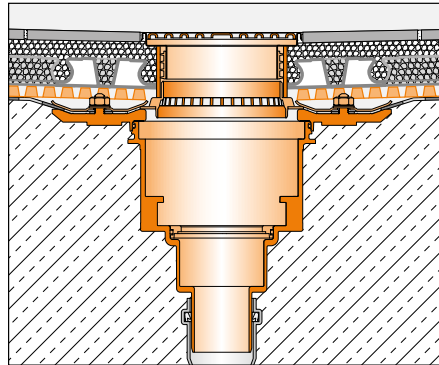




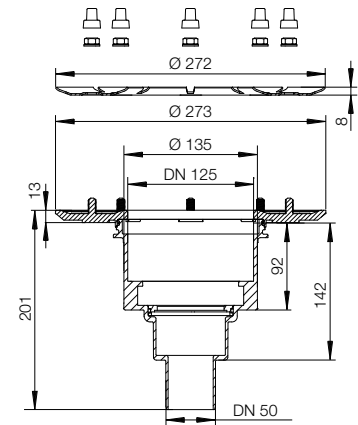
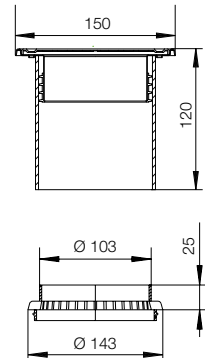
**Schlüter®-KERDI-DRAIN  
KD BV 50 ASLVB**



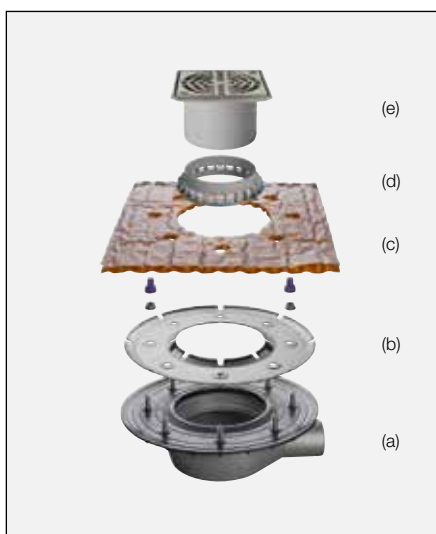
- a Drain body with waterproofing connection
- b Stainless steel flange ring
- c Schlüter®-TROBA-PLUS 8 drainage collar
- d Inlet element
- e Insert for loose installation



Example installation, vertical



**Schlüter®-KERDI-DRAIN  
KD BH 50 ASLVB**



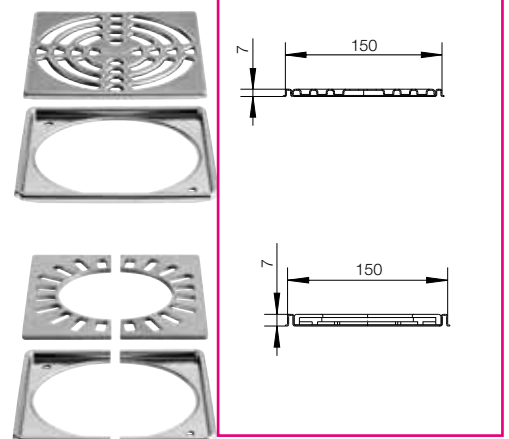
**Renovation insert as an accessory**

Renovation frame of stainless steel with 150 x 150 mm grate for subsequent installation.

Supplied unit: Frame with grate  
Art. No.: KD 15 R

Two-piece renovation frame 150 x 150 mm and two-piece stainless steel grate for subsequent installation over an existing downspout with  $\varnothing$  70 mm.

Supplied unit: Frame with grate  
Art. No.: KD 15 RL

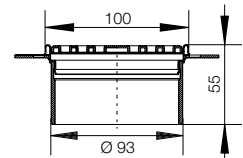




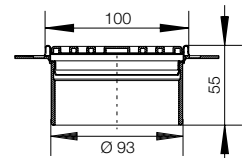
## Grate and frame sets with substructure and height adjustment ring (conventional grates)

Stainless steel grate with substructure and adjustment collar

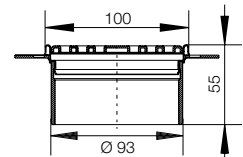
Screw-attached stainless steel grate  
100 x 100 mm, Design 1,  
laterally adjustable in all directions  
For covering thicknesses from 3 to 30 mm  
Grate cover D1,  
Art. No.: KD R10 ED1 S;  
Design 1, V4A,  
Art. No.: KD R10 V4A D1 S;  
Design 1, high-gloss stainless steel,  
Art. No.: KD R10 EPD1 S



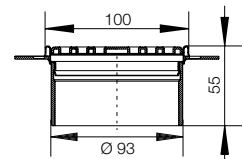
Stainless steel grate with substructure and adjustment collar  
Grate 100 x 100 mm,  
Laterally adjustable in all directions  
For covering thicknesses from 3 to 30 mm  
Grate cover D1,  
Art. No.: KD R10 ED1



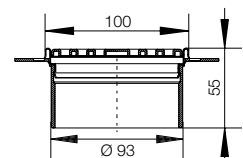
Stainless steel grate with substructure and adjustment collar  
Screw-attached grate 100 x 100 mm,  
Laterally adjustable in all directions  
For covering thicknesses from 3 to 30 mm  
Grate cover D1,  
Stainless steel, bronze oil-rubbed finish  
Art. No.: KD R10 EOB D1 S



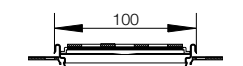
Stainless steel grate with substructure and adjustment collar  
Grate 100 x 100 mm,  
Laterally adjustable in all directions  
For covering thicknesses from 3 to 30 mm  
Grate cover D2,  
brushed stainless steel  
Art. No.: KD R10 ED2



Stainless steel grate with substructure and adjustment collar  
Grate 100 x 100 mm,  
Laterally adjustable in all directions  
For covering thicknesses from 3 to 30 mm  
Grate cover D3,  
brushed stainless steel  
Art. No.: KD R10 ED3

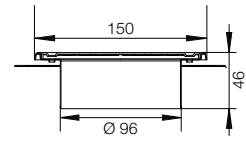


Covering support with adjustment collar  
Covering support 100 x 100 mm,  
Laterally adjustable in all directions  
No specific covering thickness required  
Covering support grate D4  
Art. No.: KD R10 ED4

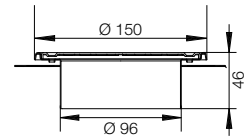




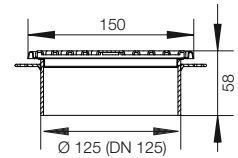
Stainless steel grate with substructure and adjustment collar  
Grate 150 x 150 mm,  
Grate cover D1  
laterally adjustable in all directions  
For covering thicknesses from 3 to 20 mm  
Art. No.: KD R15 ED1 S



Stainless steel screen with substructure and adjustment collar  
Grate  $\varnothing$  150 mm,  
Grate cover D1  
laterally adjustable in all directions  
For covering thicknesses from 3 to 20 mm  
Art. No.: KD R15 ED1 SR



Stainless steel grate with substructure and adjustment collar  
Grate 150 x 150 mm,  
Grate cover D1  
laterally adjustable in all directions  
For covering thicknesses from 3 to 30 mm  
Art. No.: KD R15 ED1 SB





### Design grate and frame sets with substructure and height adjustment ring

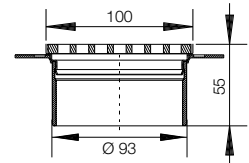
Contour frame with stainless steel design grate FLORAL, with substructure and height adjustment ring

Contour frame 100 x 100 mm, laterally adjustable in all directions

For covering thicknesses from 3 to 30 mm

Design grate D5, brushed stainless steel

Art. no.: KD IF10 EB D5



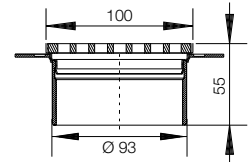
Contour frame with stainless steel design grate CURVE, with substructure and height adjustment ring

Contour frame 100 x 100 mm, laterally adjustable in all directions

For covering thicknesses from 3 to 30 mm

Design grate D6, brushed stainless steel

Art. no.: KD IF10 EB D6



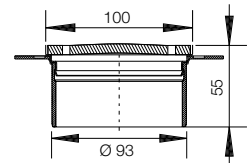
Contour frame with stainless steel design grate PURE, with substructure and height adjustment ring

Contour frame 100 x 100 mm, laterally adjustable in all directions

For covering thicknesses from 3 to 30 mm

Design grate D7, brushed stainless steel

Art. no.: KD IF10 EB D7

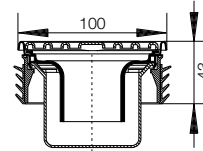




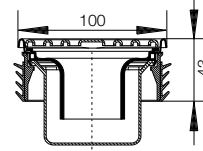


## Grate and frame sets with substructure and height adjustment ring (conventional grate)

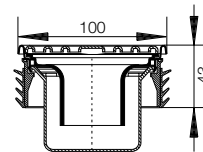
Stainless steel grate with substructure and integrated odour trap  
Screw-attached grate 100 x 100 mm,  
Water trap height: 3 cm  
For covering thicknesses from 3 to 15 mm  
Grate D1  
Art. No.: KD R10 ED1 SGV;  
Design 1, V4A,  
Art. No.: KD R10 V4A D1 SGV;  
Design 1,  
Stainless steel, bronze oil-rubbed finish  
Art. No.: KD R10 EPD1 SGV



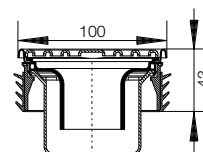
Stainless steel grate with substructure and integrated odour trap  
Grate 100 x 100 mm,  
Water trap height: 3 cm  
For covering thicknesses from 3 to 15 mm  
Grate D1  
Art. No.: KD R10 ED1 GV



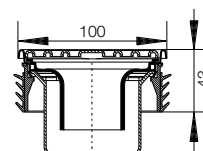
Stainless steel grate with substructure and integrated odour trap  
Screw-attached grate 100 x 100 mm,  
Water trap height: 3 cm  
For covering thicknesses from 3 to 15 mm  
Grate D1  
Stainless steel, bronze oil-rubbed finish  
Art. No.: KD R10 EOB D1 SGV



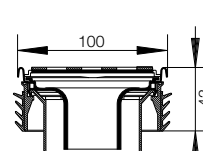
Stainless steel grate with substructure and integrated odour trap  
Grate 100 x 100 mm,  
Water trap height: 3 cm  
For covering thicknesses from 3 to 15 mm  
Grate D2, brushed stainless steel  
Art. No.: KD R10 ED2 GV



Stainless steel grate with substructure and integrated odour trap  
Grate 100 x 100 mm,  
Water trap height: 3 cm  
For covering thicknesses from 3 to 15 mm  
Grate D3, brushed stainless steel  
Art. No.: KD R10 ED3 GV



Covering support with substructure and integrated odour trap  
Covering support 100 x 100 mm,  
Water trap height: 3 cm  
No specific covering thickness required  
Grate D4,  
Art. No.: KD R10 ED4 GV





### Design grate and frame sets with substructure and integrated odour trap

Contour frame with stainless steel design grate FLORAL with substructure and integrated odour trap

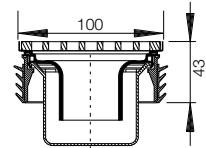
Contour frame 100 x 100 mm

Water trap height: 3 cm

For covering thicknesses from 3 to 15 mm

Design grate D5, brushed stainless steel

Art. no.: KD IF10 EB D5 GV



Contour frame with stainless steel design grate CURVE with substructure and integrated odour trap

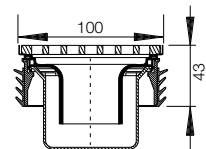
Contour frame 100 x 100 mm

Water trap height: 3 cm

For covering thicknesses from 3 to 15 mm

Design grate D6, brushed stainless steel

Art. no.: KD IF10 EB D6 GV



Contour frame with stainless steel design grate PURE with substructure and integrated odour trap

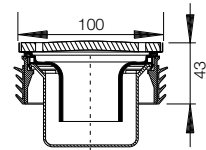
Contour frame 100 x 100 mm

Water trap height: 3 cm

For covering thicknesses from 3 to 15 mm

Design grate D7, brushed stainless steel

Art. no.: KD IF10 EB D7 GV



### Dry odour trap Schlüter®-KERDI-DRAIN-R10 GT

Odour trap with silicone dry flap for all 100 x 100 mm grate/frame sets. Prevents odour formation in seldom-used drain systems due to dried-up odour trap unit. Drain capacity: at least 0.4 l/s (in accordance with DIN EN 1253).

**The dirt-trapping screen as well as the two-piece odour trap unit integrated into the set may need to be removed prior to inserting the dry odour trap!**



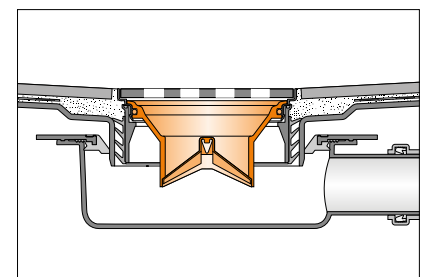
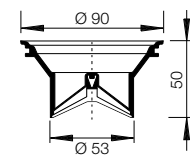
#### Important note:

To guarantee proper function, the silicone dry flap may not come into contact with aggressive chemicals. The item is simply removed – in the corresponding time intervals – and cleaned with a commercial liquid soap. Check the function of the flap after reinserting it.

**The enclosed care instructions must be given to the customer!**



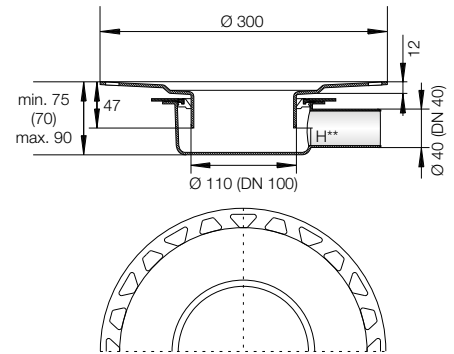
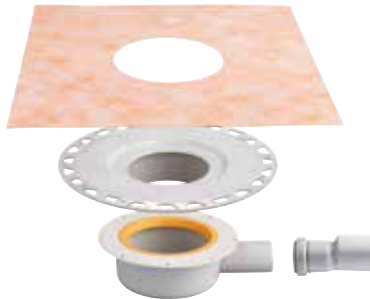
Replacement dry flap  
KERDI-LINE-GTM



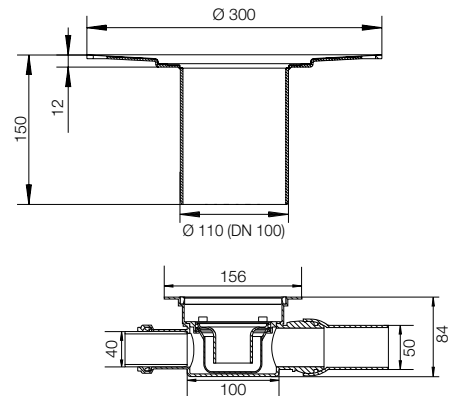
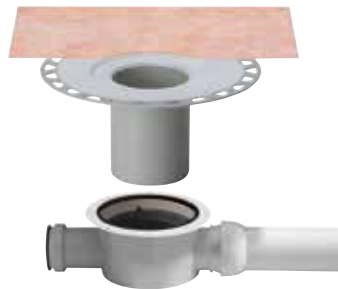


### Schlüter®-KERDI-DRAIN - Interior Horizontal drain and odour trap

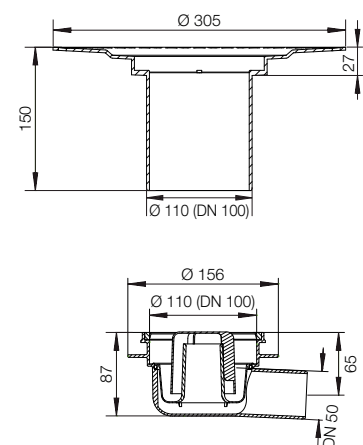
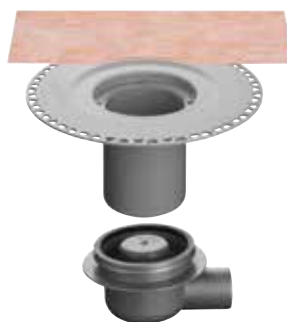
Floor drain set DN 40  
 without odour trap,  
 drain DN 40 (40 mm) with rigid connector,  
 Drain capacity according to DIN EN 1253:  
 With 2 cm head of water = 0.4 l/s (24 l/min)  
 With 1 cm head of water = 0.38 l/s (23 l/min)  
 Water trap height: 3 cm  
 Art. No. KD BH 40  
 Supplied unit:  
 - Drain body  
 - Outlet connector DN 40/ DN 50  
 - Thin-set insert DN 100  
 - Schlüter®-KERDI Collar  
 See previous page for matching grates with  
 integrated odour trap

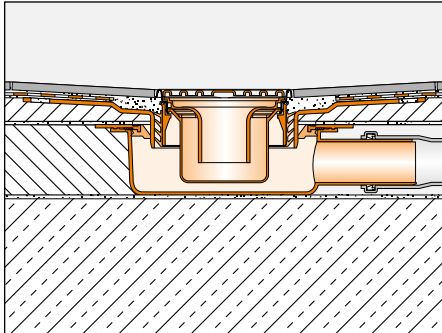


Floor drain set DN 50 with odour trap  
 Inlet DN 40 (40 mm), outlet DN 50 (50 mm)  
 with pivot connection  
 Drain capacity according to DIN EN 1253:  
 With 2 cm head of water = 0.6 l/s (36 l/min)  
 With 1 cm head of water = 0.55 l/s (33 l/min)  
 Water trap height: 3 cm  
 Art. No. KD BH 50GV  
 Supplied unit:  
 - Drain body  
 - Thin-set insert DN 100  
 - Schlüter®-KERDI Collar



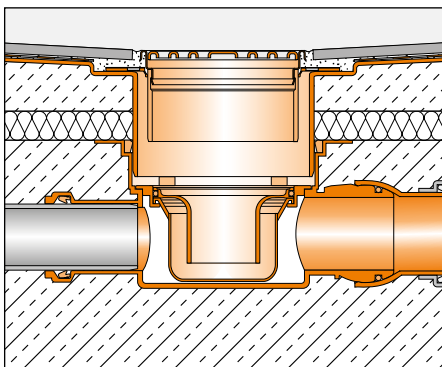
Floor drain set DN 50/70 with odour trap,  
 Drain DN 50 (50 mm) with rigid connector,  
 Drain capacity according to DIN EN 1253:  
 With 2 cm head of water = 0.8 l/s (48 l/min)  
 With 1 cm head of water = 0.65 l/s (39 l/min)  
 Water trap height: 5 cm  
 Art. No. KD BH 5070 GVB  
 Supplied unit:  
 - Drain body  
 - Outlet connector DN 50/DN 70  
 - Thin-set insert DN 100  
 - Schlüter®-KERDI Collar



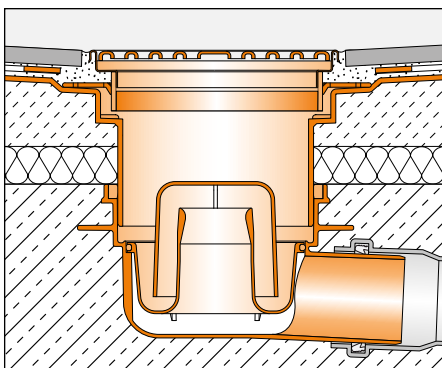


The installation height can be reduced by 5 mm to 70 mm by removing the rubber ring. To meet the requirements of DIN EN 1253 and to achieve a drain capacity of 0.4l/s, a free cross-section (H\*\*) of 32 mm must be ensured. The thin-set insert and neck must be cut to size accordingly if a covering support is used.

Application: Interior  
Min. assembly height: 75 (70) mm



Application: Interior  
Min. assembly height: 97 mm



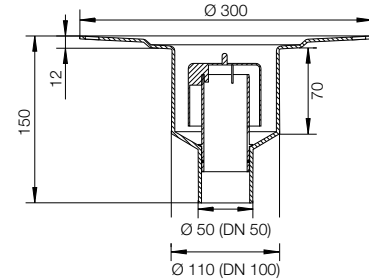
Application: Interior  
Min. assembly height: 115 mm  
Complies with DIN EN 1253

**\*The drainage systems listed here also apply to contour frames with design grates!**

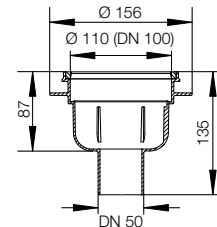
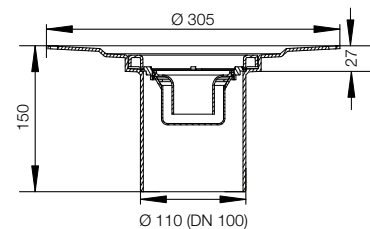


### Schlüter®-KERDI-DRAIN - Interior Vertical drain and odour trap

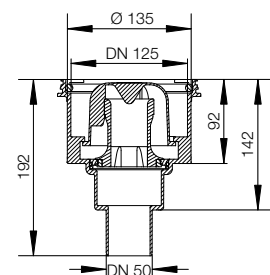
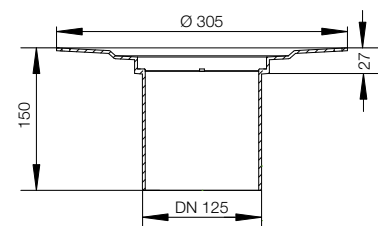
Thin-set floor drain with odour trap  
 Drain DN 50 (50 mm),  
 Drain capacity according to DIN EN 1253:  
 With 2 cm head of water = 0.6 l/s (36 l/min)  
 With 1 cm head of water = 0.5 l/s (30 l/min)  
 Water trap height: 4 cm  
 Art. No. KD BV 50 GV  
 Supplied unit:  
 - Thin-set floor drain DN 50  
 - Schlüter®-KERDI Collar  
 - Two-piece odour trap



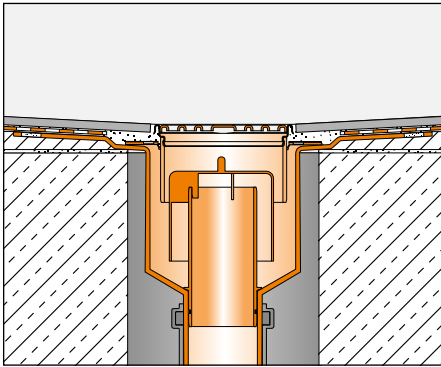
Thin-set floor drain set DN 50  
 with odour trap  
 Drain DN 50 (50 mm),  
 Drain capacity according to DIN EN 1253:  
 With 2 cm head of water = 0.6 l/s (36 l/min)  
 With 1 cm head of water = 0.55 l/s (33 l/min)  
 Water trap height: 3 cm  
 Art. No. KD BV 50 GVB  
 Supplied unit:  
 - Drain body  
 - Thin-set insert DN 100  
 - Schlüter®-KERDI Collar



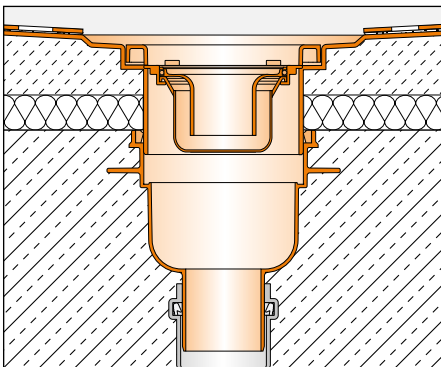
Thin-set floor drain set DN 50  
 with odour trap  
 Drain DN 50 (50 mm),  
 Drain capacity according to DIN EN 1253:  
 With 2 cm head of water = 1.8 l/s (108 l/min)  
 With 1 cm head of water = 1.5 l/s (90 l/min)  
 Water trap height: 5 cm  
 Art. No. KD BAV 50 GVB  
 Supplied unit:  
 - Drain body  
 - Thin-set insert DN 125  
 - Schlüter®-KERDI Collar



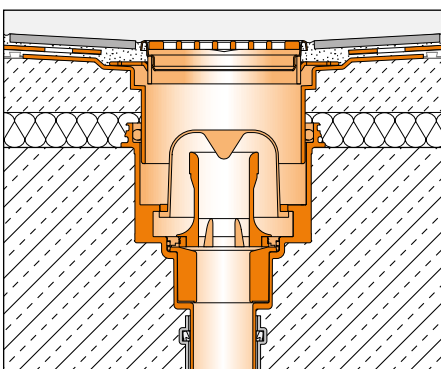




Application: Interior



Application: Interior



Application: Interior

Complies with DIN EN 1253

\* The drainage systems listed here also apply to contour frames with design grates!



### Schlüter®-KERDI-DRAIN - Interior Vertical drain and odour trap

Alternative:

Stainless steel grate with substructure  
and integrated odour trap

Drain capacity according to DIN EN 1253:

With 2 cm head of water = 0.6 l/s (36 l/min)

With 1 cm head of water = 0.55 l/s (33 l/min)

Water trap height: 3 cm

Art. No. KD R10 ED1 SGV

plus

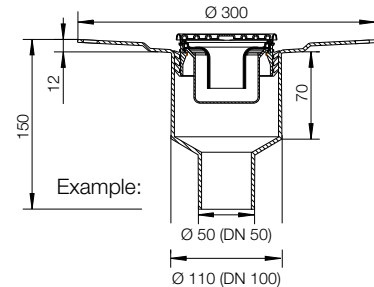
Thin-set floor drain

without odour trap

Drain DN 50 (50 mm), DN 70 (75 mm),

DN 100 (110 mm)

Art. no.: KD BV 50 or ... 70 or ..... 100



\* The drainage systems listed here also apply to contour  
frames with design grates!

### Complete sets of Schlüter®-KERDI-DRAIN – interior areas Horizontal or vertical drain and odour trap

#### Art. No.: KD 10H 40 GV ED1 S

- horizontal thin-set floor drain  
Schlüter®-KERDI-DRAIN-BASE DN 40/50  
Drain capacity according to DIN EN 1253:  
With 2 cm head of water = 0.4 l/s (24 l/min)  
With 1 cm head of water = 0.38 l/s (23 l/min),  
min. assembly height 75 (70) mm,
- Grate/frame combination with grate D 1  
of stainless steel with screws, size 10 x  
10 cm
- Grate with odour trap and lip seal

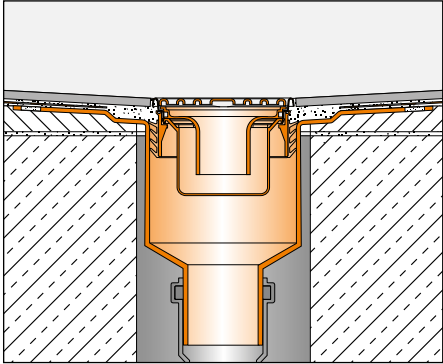
#### Art. No.: KD 10V 50 GV ED1 S

- Vertical thin-set floor drain  
Schlüter®-KERDI-DRAIN DN 50  
Drain capacity according to DIN EN 1253:  
With 2 cm head of water = 0.6 l/s (36 l/min)  
With 1 cm head of water = 0.5 l/s (30 l/min)
- Integrated odour trap
- Grate/frame combination with grate D 1  
of stainless steel with screws, size 10 x  
10 cm
- incl. frame extension, height adjustment  
and dirt trap

#### Art. No.: KD 10V 50 GV ED3

- Vertical thin-set floor drain  
Schlüter®-KERDI-DRAIN DN 50  
Drain capacity according to DIN EN 1253:  
With 2 cm head of water = 0.6 l/s (36 l/min)  
With 1 cm head of water = 0.5 l/s (30 l/min)
- Integrated odour trap
- Grate/frame combination with grate D 3
- made of brushed stainless steel,  
size 10 x 10 cm
- incl. frame extension, height adjustment  
and dirt trap



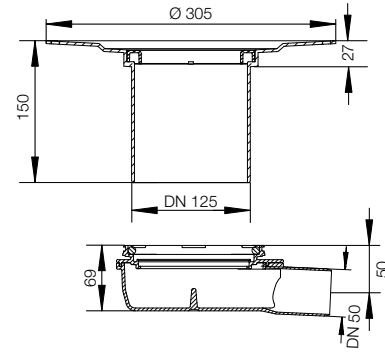


Application: Interior

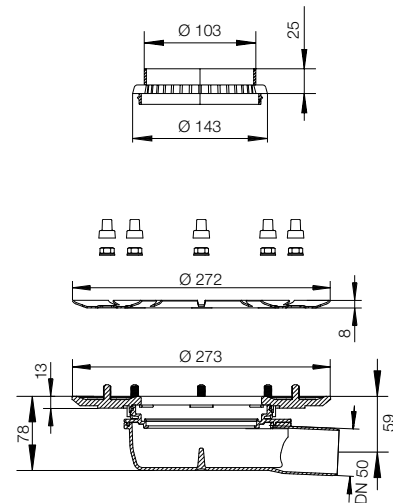
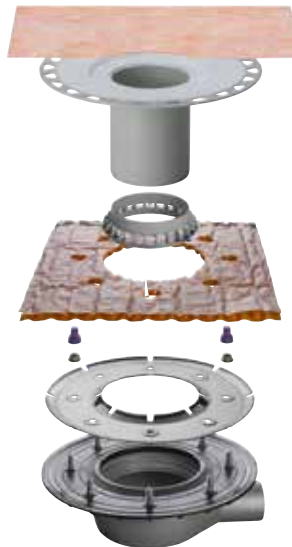


### Schlüter®-KERDI-DRAIN - Exterior Horizontal drain without odour trap

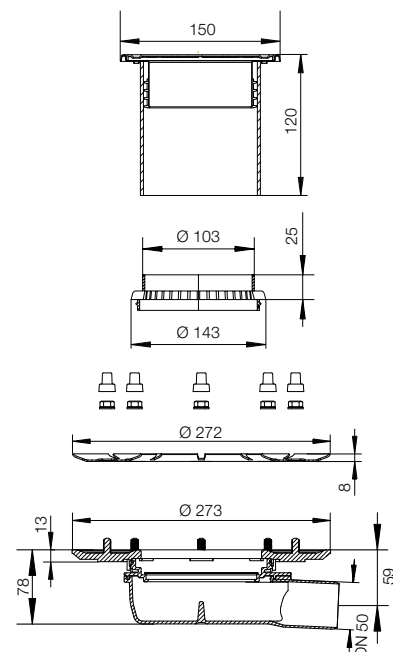
Floor drain set DN 50  
 Without odour trap  
 Drain DN 50 (50 mm) with rigid connector  
 Drain capacity: 1.4 l/s (84 l/min) with grate/  
 frame combination  
 Grate D1  
 Art. No. KD BH 50 B  
 Supplied unit:  
 - Drain body  
 - Thin-set insert DN 125  
 - Schlüter®-KERDI Collar

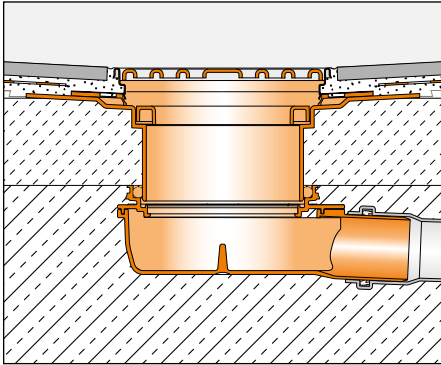


Floor drain set DN 50 without odour trap  
 with sealing flange to create 2-level drainage  
 of surface water and seepage  
 in conjunction with drain body.  
 Drain capacity: 1.4 l/s (84 l/min) with grate/  
 frame combination  
 Grate D1  
 Art. No. KD BH 50 MSBB  
 Supplied unit:  
 - Drain body incl. sealing flange  
 - Stainless steel clamping ring  
 - Schlüter®-TROBA-PLUS drainage collar  
 30 x 30 cm  
 - Perforated inlet element  
 - Thin-set insert DN 100  
 - Schlüter®-KERDI Collar

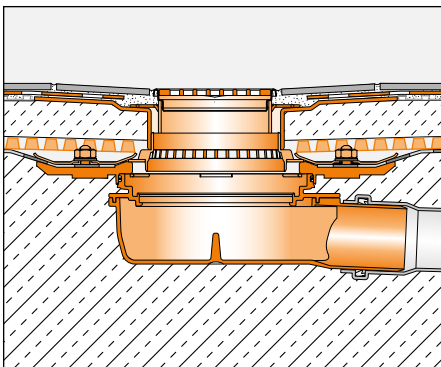


Floor drain set DN 50 without odour trap  
 with sealing flange to create 2-level drainage  
 of surface water and seepage  
 Drain capacity: 1.4 l/s (84 l/min) with grate/  
 frame combination  
 Grate D1  
 Art. No. KD BH 50 ASLVB  
 Supplied unit:  
 - Drain body  
 - Stainless steel clamping ring  
 - Schlüter®-TROBA-PLUS drainage collar  
 30 x 30 cm  
 - Perforated inlet element  
 - Insert for loose installation  
 including grate R15 ED1 S

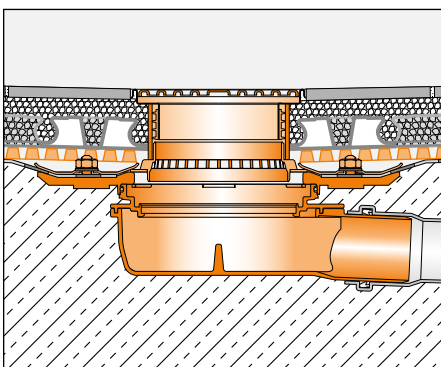




Application: Exterior  
Min. assembly height: 98 mm



Application: Exterior  
(2-level drainage)



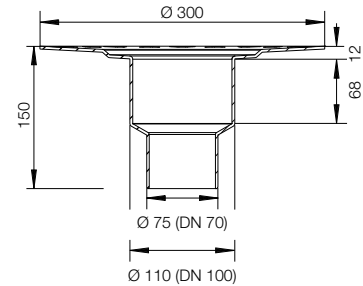
Application: Exterior  
(2-level drainage, loose installation)



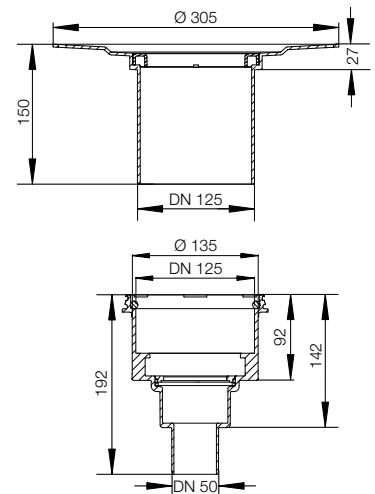


### Schlüter®-KERDI-DRAIN - Exterior Vertical drain without odour trap

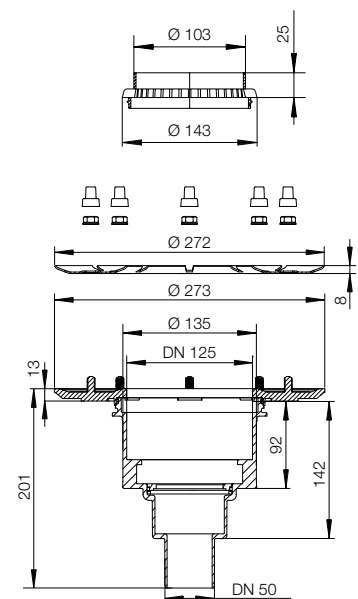
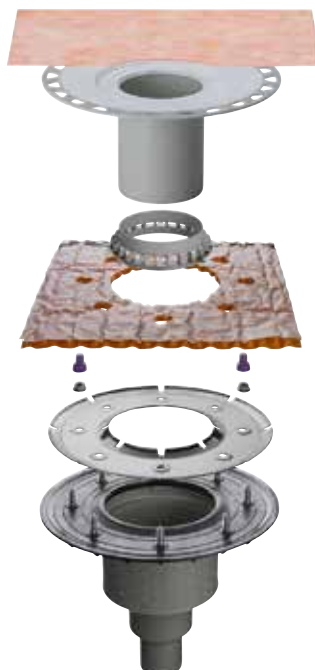
Thin-set floor drain  
 Without odour trap  
 Drain capacity: 1.4 l/s (84 l/min) with grate/frame combination  
 Grate D1  
 Drain DN 50 (50 mm)  
 Art. No.: KD BV 50  
 Drain DN 70 (75 mm)  
 Art. No.: KD BV 70  
 Drain DN 100 (110 mm)  
 Art. No.: KD BV 100  
 Supplied unit:  
 - Thin-set floor drain  
 - Schlüter®-KERDI Collar

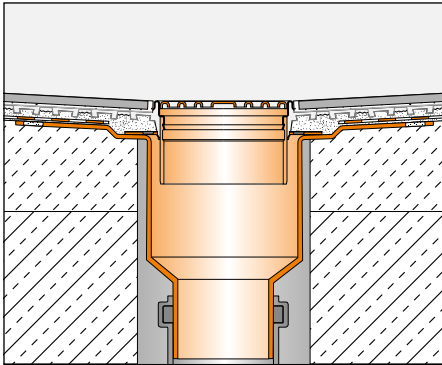


Floor drain set without odour trap  
 Drain DN 50 (50 mm),  
 Drain capacity: 1.4 l/s (84 l/min) with grate/frame combination  
 Grate D1  
 Art. No. KD BV 50 B  
 Supplied unit:  
 - Drain body  
 - Thin-set insert DN 125  
 - Schlüter®-KERDI Collar

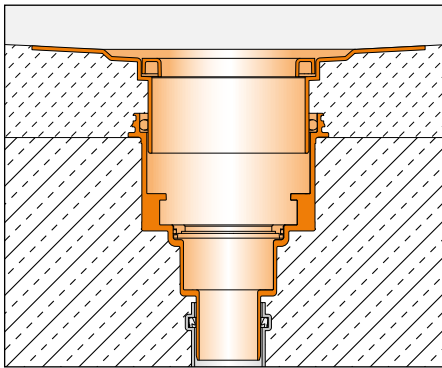


Floor drain set DN 50 without odour trap with sealing flange to create 2-level drainage of surface water and seepage  
 Drain capacity: 1.4 l/s (84 l/min) with grate/frame combination  
 Grate D1  
 Art. No. KD BV 50 MSBB  
 Supplied unit:  
 - Drain body incl. sealing flange  
 - Stainless steel clamping ring  
 - Schlüter®-TROBA-PLUS drainage collar 30 x 30 cm  
 - Perforated inlet element  
 - Thin-set insert DN 100  
 - Schlüter®-KERDI Collar

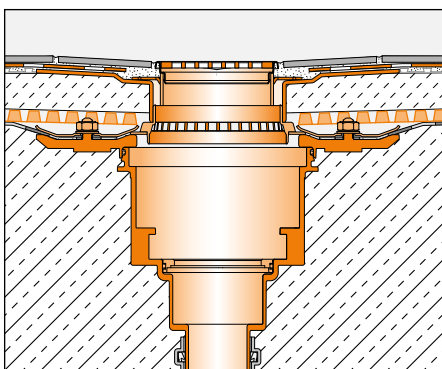




Application: Exterior



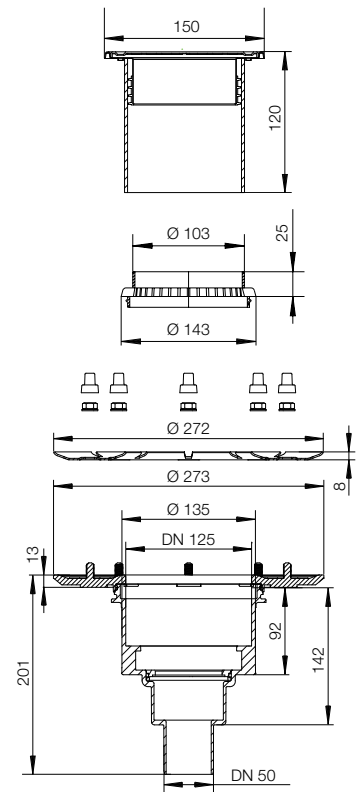
Application: Exterior



Application: Exterior  
(2-level drainage)



Floor drain set DN 50  
 without odour trap with sealing flange to  
 create 2-level drainage of surface water  
 and seepage  
 Drain capacity: 1.4 l/s (84 l/min) with  
 grate/frame combination  
 Grate D1  
 Art. No. KDBV50ASLVB  
 Supplied unit:  
 - Drain body  
 - Stainless steel clamping ring  
 - Schlüter®-TROBA-PLUS drainage collar  
 30 x 30 cm  
 - Perforated inlet element  
 - Insert for loose installation  
 including grate R15 ED1 S



### Fire protection solution for KD BAV 50 GVB with Schlüter®-KERDI-DRAIN-BS/-ZBS

The system components prevent the  
 spread of fire to other floor levels accor-  
 ding to approval number Z-19.17-1719.  
 The fire protection insert (Art. no. KD BS)  
 is positioned in the drain body of the floor  
 drain set Schlüter®-KERDI-DRAIN KD BAV  
 50 GVB as follows:

1. Remove the top/bottom part of the odour trap.
2. Detach and remove the clamping ring can be with a hammer.
3. Position the fire protection insert.
4. Reposition the clamping ring, using the supplied lubricant.
5. Reattach the top/bottom part of the odour trap.

In conjunction with the optional conduit gasket (Art. no. KD ZBS) inserted into the core hole (diameter 160 mm), see Fig. 6, the source material contained in the fire protection insert expands when a temperature of approx. 150 °C is exceeded to safely prevent the penetration of heat, fire and smoke for a fire resistance period of R120, R90, R60, R30 (depending on the ceiling).

**The fire protection function of the conduit gasket KD ZBS only applies in conjunction with the fire protection insert KD BS!**



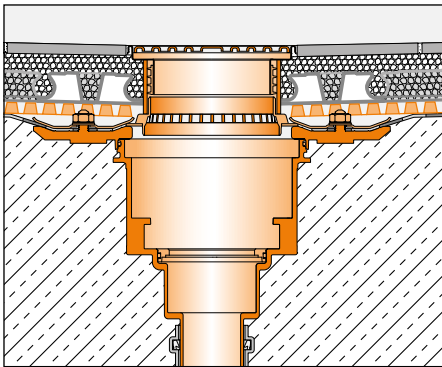
KD BS



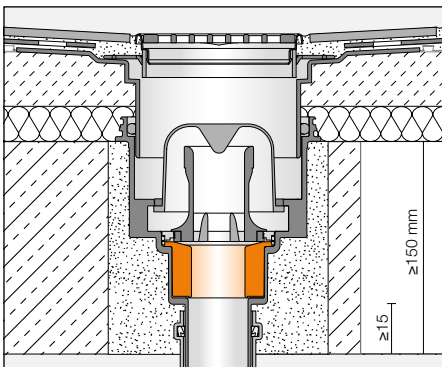
KD ZBS



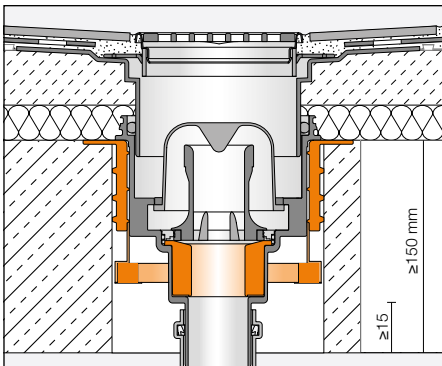
Alternatively, the drain body can be embedded in concrete or subsequently covered with a class MG III cement mortar in the floor slab.



Application: Exterior  
(2-level drainage, loose installation)



Fire protection insert  
KERDI-DRAIN-BS



Conduit gasket KERDI-DRAIN-ZBS  
with fire protection function  
(only in conjunction with fire protection insert KD BS)



### Text templates for tenders Schlüter®-KERDI-DRAIN

\_\_\_\_\_units Schlüter®-KERDI-DRAIN grate/  
frame sets as a stainless steel grate with sub-  
structure and adjustment collar, to be installed  
as part of the surface covering to the height of  
the floor construction

- Threaded stainless steel grate 10 x 10 cm, grate D1
- Threaded stainless steel V4A grate 10 x 10 cm, grate D1
- Stainless steel grate 10 x 10 cm, grate D1
- Threaded stainless steel grate, oil-rubbed bronze 10 x 10 cm, grate D1
- Stainless steel grate 10 x 10 cm, grate D2
- Stainless steel grate 10 x 10 cm, grate D3
- Covering support 10 x 10 cm, grate D4
- Design grate 10 x 10 cm, design grate D5, FLORAL
- Design grate 10 x 10 cm, design grate D6, CURVE
- Design grate 10 x 10 cm, design grate D7, PURE
- Threaded stainless steel grate 15 x 15 cm, grate D1
- Threaded stainless grate, diameter 15 cm, grate D1,

... to be supplied and professionally installed  
while observing the manufacturer's instructions.

Art. No.: \_\_\_\_\_  
Material: \_\_\_\_\_ .../unit  
Labour: \_\_\_\_\_ .../unit  
Total price: \_\_\_\_\_ .../unit

\_\_\_\_\_units Schlüter®-KERDI-DRAIN grate/  
frame sets as a stainless steel grate with  
substructure and integrated odour trap, to be  
installed as part of the surface covering to the  
height of the floor construction.

- Threaded stainless steel grate 10 x 10 cm, grate D1
- Threaded stainless V4A grate, 10 x 10 cm, grate D1
- Stainless steel grate 10 x 10 cm, grate D1
- Threaded stainless steel grate, oil-rubbed bronze 10 x 10 cm, grate D1
- Stainless steel grate 10 x 10 cm, grate D2
- Stainless steel grate 10 x 10 cm, grate D3
- Covering support 10 x 10 cm, grate D4
- Design grate 10 x 10 cm, design grate D5, FLORAL
- Design grate 10 x 10 cm, design grate D6, CURVE
- Design grate 10 x 10 cm, design grate D7, PURE

... to be supplied and professionally installed  
while observing the manufacturer's instructions.

Art. No.: \_\_\_\_\_  
Material: \_\_\_\_\_ .../unit  
Labour: \_\_\_\_\_ .../unit  
Total price: \_\_\_\_\_ .../unit

\_\_\_\_\_units Schlüter®-KERDI-DRAIN KD BH  
40 as a horizontal floor drain set without odour  
trap, drain DN 40 (40 mm) with rigid connector,  
application area: Interior

... to be supplied and professionally installed  
while observing the manufacturer's instructions.

Art. No.: \_\_\_\_\_  
Material: \_\_\_\_\_ .../unit  
Labour: \_\_\_\_\_ .../unit  
Total price: \_\_\_\_\_ .../unit

\_\_\_\_\_units Schlüter®-KERDI-DRAIN KD BH  
50 GV as a horizontal floor drain set with odour  
trap, inlet DN 40 (40 mm), drain DN 50 (50 mm)  
with jointed connector

... to be supplied and professionally installed  
while observing the manufacturer's instructions.

Art. No.: \_\_\_\_\_  
Material: \_\_\_\_\_ .../unit  
Labour: \_\_\_\_\_ .../unit  
Total price: \_\_\_\_\_ .../unit

\_\_\_\_\_units Schlüter®-KERDI-DRAIN KD BH  
5070 GVB as a horizontal floor drain set with  
odour trap, drain DN 50 with rigid connector,  
■ application area: Interior

... to be supplied and professionally installed  
while observing the manufacturer's instructions.

Art. No.: \_\_\_\_\_  
Material: \_\_\_\_\_ .../unit  
Labour: \_\_\_\_\_ .../unit  
Total price: \_\_\_\_\_ .../unit

\_\_\_\_\_units Schlüter®-KERDI-DRAIN as a  
horizontal complete set, consisting of:

- Thin-set floor drain Schlüter®-KERDI-DRAIN-BASE DN 40/50
  - Grate/frame combination with design grate 1 of stainless steel. 10 x 10 cm with screws, incl. odour trap and lip seal, for use in: Interior areas
- ... to be supplied and professionally installed  
while observing the manufacturer's instructions.

Art. No.: \_\_\_\_\_  
Material: \_\_\_\_\_ .../unit  
Labour: \_\_\_\_\_ .../unit  
Total price: \_\_\_\_\_ .../unit

\_\_\_\_\_units Schlüter®-KERDI-DRAIN as a  
vertical complete set, consisting of:

- Thin-set floor drain Schlüter®-KERDI-DRAIN DN 50 with integrated odour trap
  - Grate/frame combination with grate D1 of stainless steel. 10 x 10 cm with screws
- use in: Interior areas

... to be supplied and professionally installed  
while observing the manufacturer's instructions.

Art. No.: \_\_\_\_\_  
Material: \_\_\_\_\_ .../unit  
Labour: \_\_\_\_\_ .../unit  
Total price: \_\_\_\_\_ .../unit

\_\_\_\_\_units Schlüter®-KERDI-DRAIN as a  
vertical complete set, consisting of:

- Thin-set floor drain Schlüter®-KERDI-DRAIN DN 50 with integrated odour trap
  - Grate/frame combination with grate D3 of brushed stainless steel, 10 x 10 cm,
- For use in: Interior areas,

... to be supplied and professionally installed  
while observing the manufacturer's instructions.

Art. No.: \_\_\_\_\_  
Material: \_\_\_\_\_ .../unit  
Labour: \_\_\_\_\_ .../unit  
Total price: \_\_\_\_\_ .../unit

\_\_\_\_\_units Schlüter®-KERDI-DRAIN KD BH  
50 B as a horizontal floor drain set without  
odour trap,

- Drain DN 50 (50 mm) with rigid fitting for use in: Exterior areas

... to be supplied and professionally installed  
while observing the manufacturer's instructions.

Art. No.: \_\_\_\_\_  
Material: \_\_\_\_\_ .../unit  
Labour: \_\_\_\_\_ .../unit  
Total price: \_\_\_\_\_ .../unit

\_\_\_\_\_units Schlüter®-KERDI-DRAIN KD BH  
50 B as a horizontal floor drain set without odour  
trap, drain DN 50 (50 mm) with rigid connector,  
application areas: Exterior

... to be supplied and professionally installed  
while observing the manufacturer's instructions.

Art. No.: \_\_\_\_\_  
Material: \_\_\_\_\_ .../unit  
Labour: \_\_\_\_\_ .../unit  
Total price: \_\_\_\_\_ .../unit





\_\_\_\_\_ units Schlüter®-KERDI-DRAIN KD BH 50 MSBB as a horizontal floor drain set without odour trap with 2-level drainage for connection to the lower waterproofing plane and the surface, with a waterproofing flange, Schlüter®-TROBA-PLUS 8 drainage collar and a perforated insert element, drain DN 50 (50 mm), application areas: Exterior

... to be supplied and professionally installed while observing the manufacturer's instructions.

Art. No.: \_\_\_\_\_

Material: \_\_\_\_\_ .../unit

Labour: \_\_\_\_\_ .../unit

Total price: \_\_\_\_\_ .../unit

\_\_\_\_\_ units Schlüter®-KERDI-DRAIN KD BH 50 ASLVB as a horizontal floor drain set without odour trap with 2-level drainage for connection to the lower waterproofing plane and the surface, with a waterproofing flange, Schlüter®-TROBA-PLUS 8 drainage collar, perforated insert element, and insert for loose installation, incl. grate R15 ED1 S, drain DN 50 (50 mm), application areas: Exterior

... to be supplied and professionally installed while observing the manufacturer's instructions.

Art. No.: \_\_\_\_\_

Material: \_\_\_\_\_ .../unit

Labour: \_\_\_\_\_ .../unit

Total price: \_\_\_\_\_ .../unit

\_\_\_\_\_ units Schlüter®-KERDI-DRAIN KD BV 50 GV as a vertical thin-set floor drain with odour trap, drain DN 50 (50 mm), application area: Interior

... to be supplied and professionally installed while observing the manufacturer's instructions.

Art. No.: \_\_\_\_\_

Material: \_\_\_\_\_ .../unit

Labour: \_\_\_\_\_ .../unit

Total price: \_\_\_\_\_ .../unit

\_\_\_\_\_ units Schlüter®-KERDI-DRAIN KD BV 50 GVB as a vertical floor drain set with odour trap, drain DN 50 (50 mm), application area: Interior areas,

... to be supplied and professionally installed while observing the manufacturer's instructions.

Art. No.: \_\_\_\_\_

Material: \_\_\_\_\_ .../unit

Labour: \_\_\_\_\_ .../unit

Total price: \_\_\_\_\_ .../unit

\_\_\_\_\_ units Schlüter®-KERDI-DRAIN KD BAV 50 GVB as a vertical floor drain set with odour trap, drain DN 50 (50 mm) with increased drain capacity and/or fire protection requirements, application area: Interior

... to be supplied and professionally installed while observing the manufacturer's instructions.

Art. No.: \_\_\_\_\_

Material: \_\_\_\_\_ .../unit

Labour: \_\_\_\_\_ .../unit

Total price: \_\_\_\_\_ .../unit

\_\_\_\_\_ units Schlüter®-KERDI-DRAIN KD BV as a vertical thin-set floor drain without odour trap

■ KD BV 50 drain DN50 (50mm)

■ KD BV 70 drain DN70 (75mm)

■ KD BV 100 drain DN100 (110mm)

Application area: Interior/exterior

... to be supplied and professionally installed while observing the manufacturer's instructions.

Art. No.: \_\_\_\_\_

Material: \_\_\_\_\_ .../unit

Labour: \_\_\_\_\_ .../unit

Total price: \_\_\_\_\_ .../unit

\_\_\_\_\_ units Schlüter®-KERDI-DRAIN KD BV 50 B as a vertical floor drain set without odour trap, drain DN 50 (50 mm), application area: Exterior

... to be supplied and professionally installed while observing the manufacturer's instructions.

Art. No.: \_\_\_\_\_

Material: \_\_\_\_\_ .../unit

Labour: \_\_\_\_\_ .../unit

Total price: \_\_\_\_\_ .../unit

\_\_\_\_\_ units Schlüter®-KERDI-DRAIN KD BV 50 MSBB as a vertical floor drain set without odour trap with 2-level drainage for connection to the lower waterproofing plane and the surface, with a waterproofing flange, Schlüter®-TROBA-PLUS 8 drainage collar and a perforated insert element, drain DN 50 (50 mm), application areas: Exterior areas

... to be supplied and professionally installed while observing the manufacturer's instructions.

Art. No.: \_\_\_\_\_

Material: \_\_\_\_\_ .../unit

Labour: \_\_\_\_\_ .../unit

Total price: \_\_\_\_\_ .../unit

\_\_\_\_\_ units Schlüter®-KERDI-DRAIN KD BV 50 ASLVB as a vertical floor drain set without odour trap with 2-level drainage for connection to the lower waterproofing plane and the surface, with a waterproofing flange, Schlüter®-TROBA-PLUS 8 drainage collar, perforated insert element, and insert for loose installation, incl. grate R15 ED1 S,

drain DN 50 (50 mm), application areas: Exterior areas

... to be supplied and professionally installed while observing the manufacturer's instructions.

Art. No.: \_\_\_\_\_

Material: \_\_\_\_\_ .../unit

Labour: \_\_\_\_\_ .../unit

Total price: \_\_\_\_\_ .../unit

**Text template for accessories:**

\_\_\_\_\_ units Schlüter®-KERDI-DRAIN 15 R as a renovation insert made of stainless steel for installation in new tile coverings installed over existing drains

... to be supplied and professionally installed while observing the manufacturer's instructions.

Art. No.: \_\_\_\_\_

Material: \_\_\_\_\_ .../unit

Labour: \_\_\_\_\_ .../unit

Total price: \_\_\_\_\_ .../unit

\_\_\_\_\_ units Schlüter®-KERDI-DRAIN KD 15 RL as a two-piece stainless steel renovation frame and two-piece plastic grate for subsequent installation over an existing downspout ø 50 - 75 mm

... to be supplied and professionally installed while observing the manufacturer's instructions.

Art. No.: \_\_\_\_\_

Material: \_\_\_\_\_ .../unit

Labour: \_\_\_\_\_ .../unit

Total price: \_\_\_\_\_ .../unit

\_\_\_\_\_ units Schlüter®-KERDI-DRAIN KD BS as a fire protection insert in accordance with approval number for installation in the floor drain set KD BAV 50 GVB to prevent the spread of fire for a fire resistance period R120, R90, R60, R30 (depending on the ceiling)

... to be supplied and professionally installed.

Art. No.: \_\_\_\_\_

Material: \_\_\_\_\_ .../unit

Labour: \_\_\_\_\_ .../unit

Total price: \_\_\_\_\_ .../unit

\_\_\_\_\_ units Schlüter®-KERDI-DRAIN KD ZBS as a fire protection gasket in accordance with approval number as a fire insulation seal of the core hole drilling (ø 160 mm) and for the simultaneous prevention of sound bridges in conjunction with floor drain set KD BAV 50 GVB

... to be supplied and professionally installed.

Art. No.: \_\_\_\_\_

Material: \_\_\_\_\_ .../unit

Labour: \_\_\_\_\_ .../unit

Total price: \_\_\_\_\_ .../unit

\_\_\_\_\_ units

Schlüter®-KERDI-DRAIN-R10 GT as a dry odour trap unit to prevent the formation of odours in seldom-used drain systems due to drying up, ... to be supplied and professionally installed

Art. No.: \_\_\_\_\_

Material: \_\_\_\_\_ .../unit

Labour: \_\_\_\_\_ .../unit

Total price: \_\_\_\_\_ .../unit

\_\_\_\_\_ units

Schlüter®-KERDI-LINE-GTM as a replacement silicone dry flap for the dry odour trap

■ Schlüter®-KERDI-DRAIN-R10 GT

■ Schlüter®-KERDI-LINE-GTO

to prevent the formation of odours that may occur in seldom-used drain systems due to drying up,

... to be supplied and professionally installed

Art. No.: \_\_\_\_\_

Material: \_\_\_\_\_ .../unit

Labour: \_\_\_\_\_ .../unit

Total price: \_\_\_\_\_ .../unit



